



US00D668898S

(12) **United States Design Patent**  
**Diamant et al.**

(10) **Patent No.:** **US D668,898 S**

(45) **Date of Patent:** **\*\* Oct. 16, 2012**

(54) **PENGUIN-SHAPED SOAP DISPENSER**

(75) Inventors: **Ellen Diamant**, New York, NY (US);  
**Janet Villano**, Brooklyn, NY (US);  
**Velissa Van Scoyoc**, Pottstown, PA (US)

(73) Assignee: **Skip Hop, Inc.**, New York, NY (US)

(\*\*) Term: **14 Years**

(21) Appl. No.: **29/403,315**

(22) Filed: **Oct. 4, 2011**

(51) **LOC (9) Cl.** ..... **23-02**

(52) **U.S. Cl.** ..... **D6/542**

(58) **Field of Classification Search** ..... D6/542-545;  
D9/682, 688, 690, 291, 448, 449; 222/14,  
222/173, 146.3, 628, 251, 181.1, 181.3; 221/282;  
D21/606; D11/162

See application file for complete search history.

(56) **References Cited**

U.S. PATENT DOCUMENTS

D334,106 S *	3/1993	Piper	.....	D6/542
D347,136 S *	5/1994	Costa	.....	D6/542
D362,877 S *	10/1995	Berggreen	.....	D21/606
D403,544 S *	1/1999	Wilkinson	.....	D6/542
D403,906 S *	1/1999	Gotti	.....	D6/542
D483,208 S *	12/2003	Tsang	.....	D6/542
D486,335 S *	2/2004	Sonneman	.....	D6/542
D509,319 S *	9/2005	Chen	.....	D21/606

D548,021 S *	8/2007	Raia	.....	D21/606
D565,878 S *	4/2008	Krus	.....	D6/542
D604,198 S *	11/2009	Lelardoux et al.	.....	D11/162

\* cited by examiner

*Primary Examiner* — Brian N Vinson

(74) *Attorney, Agent, or Firm* — Stephen J. Weyer, Esq.;  
Stites & Harbison PLLC

(57) **CLAIM**

The ornamental design for a penguin-shaped soap dispenser,  
as shown and described.

**DESCRIPTION**

FIG. 1 is a perspective view taken from the top, front, and left side of the penguin-shaped soap dispenser of the present invention;

FIG. 2 is a left side elevational view of the penguin-shaped soap dispenser of FIG. 1, the opposite side being nearly a mirror image thereof;

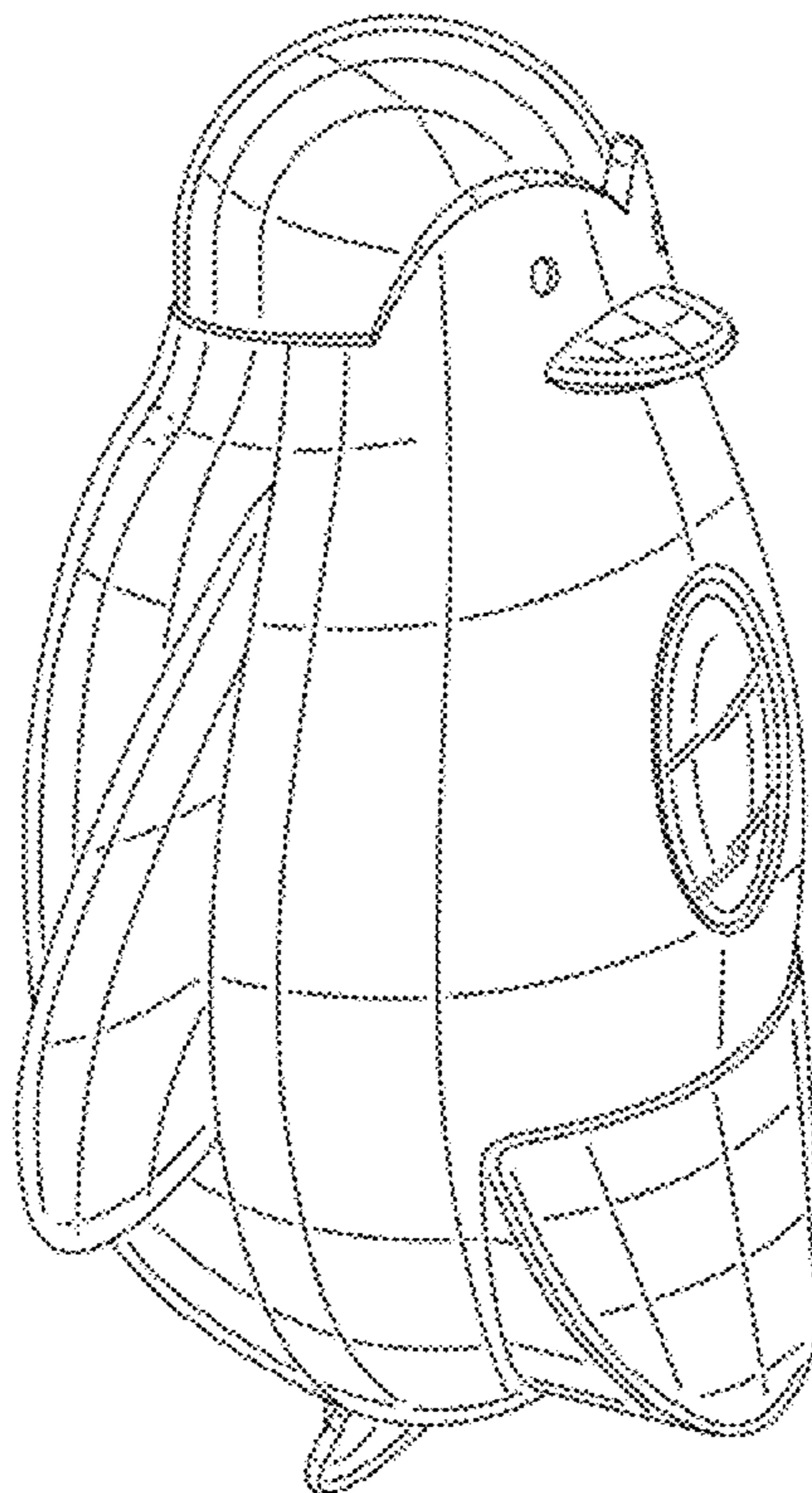
FIG. 3 is a bottom plan view of the penguin-shaped soap dispenser of FIG. 1;

FIG. 4 is a top plan view of the penguin-shaped soap dispenser of FIG. 1;

FIG. 5 is a front elevational view of the penguin-shaped soap dispenser of FIG. 1; and,

FIG. 6 is a rear elevational view of the penguin-shaped soap dispenser of FIG. 1, in which a portion of the design is shown in broken lines, thereby indicating that that portion is not part of the claimed design.

**1 Claim, 5 Drawing Sheets**



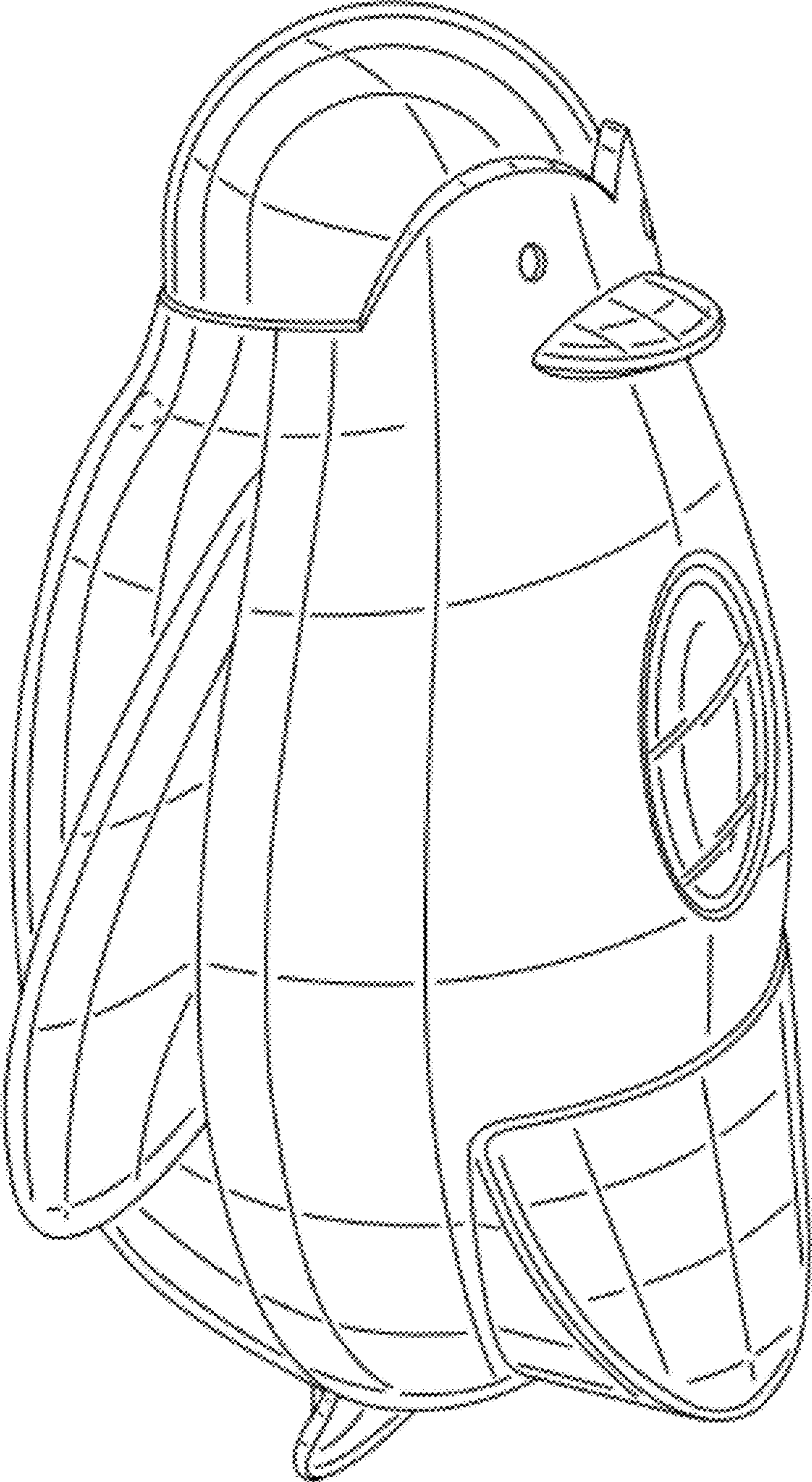


FIG. 1

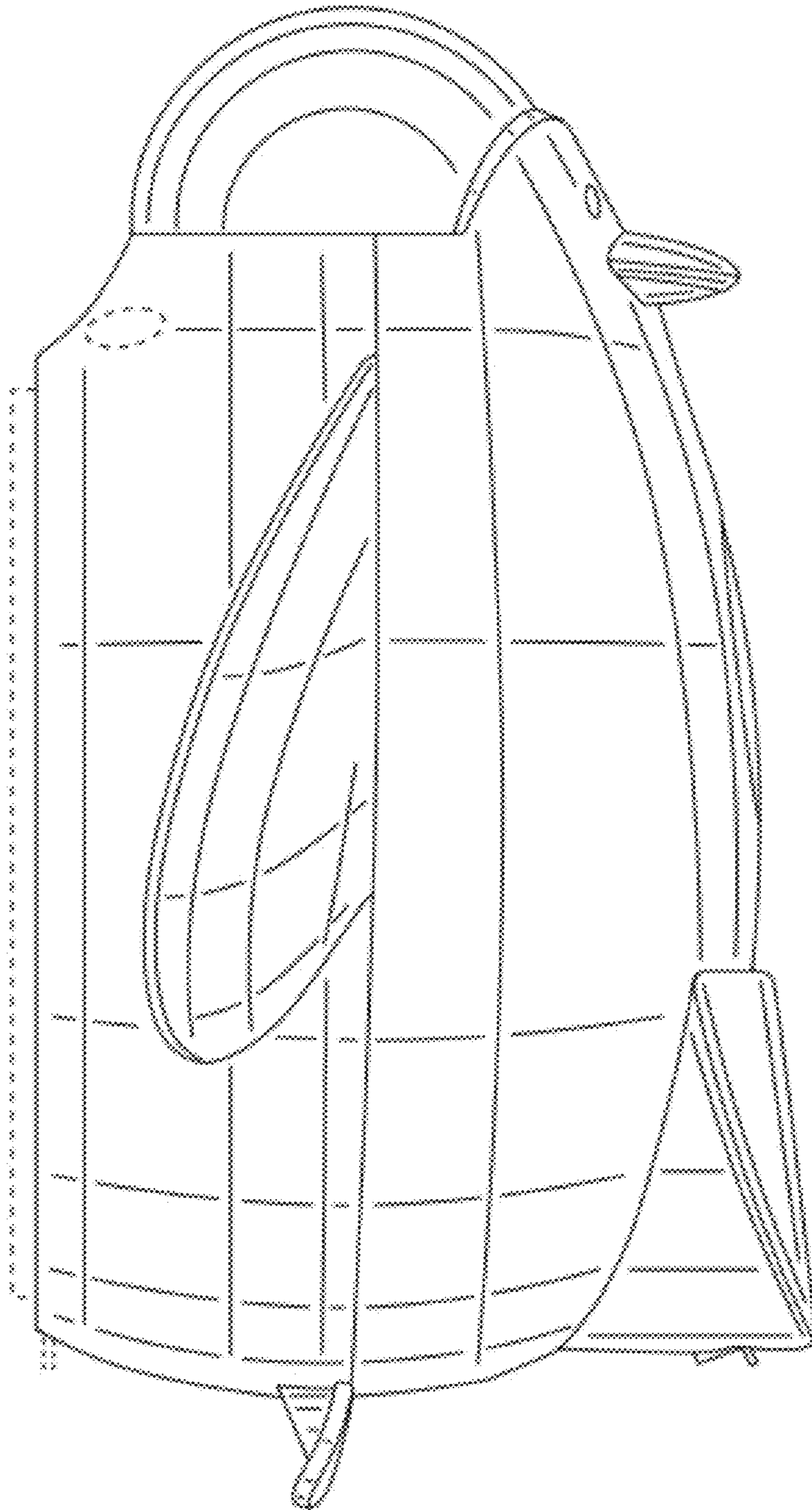


FIG. 2

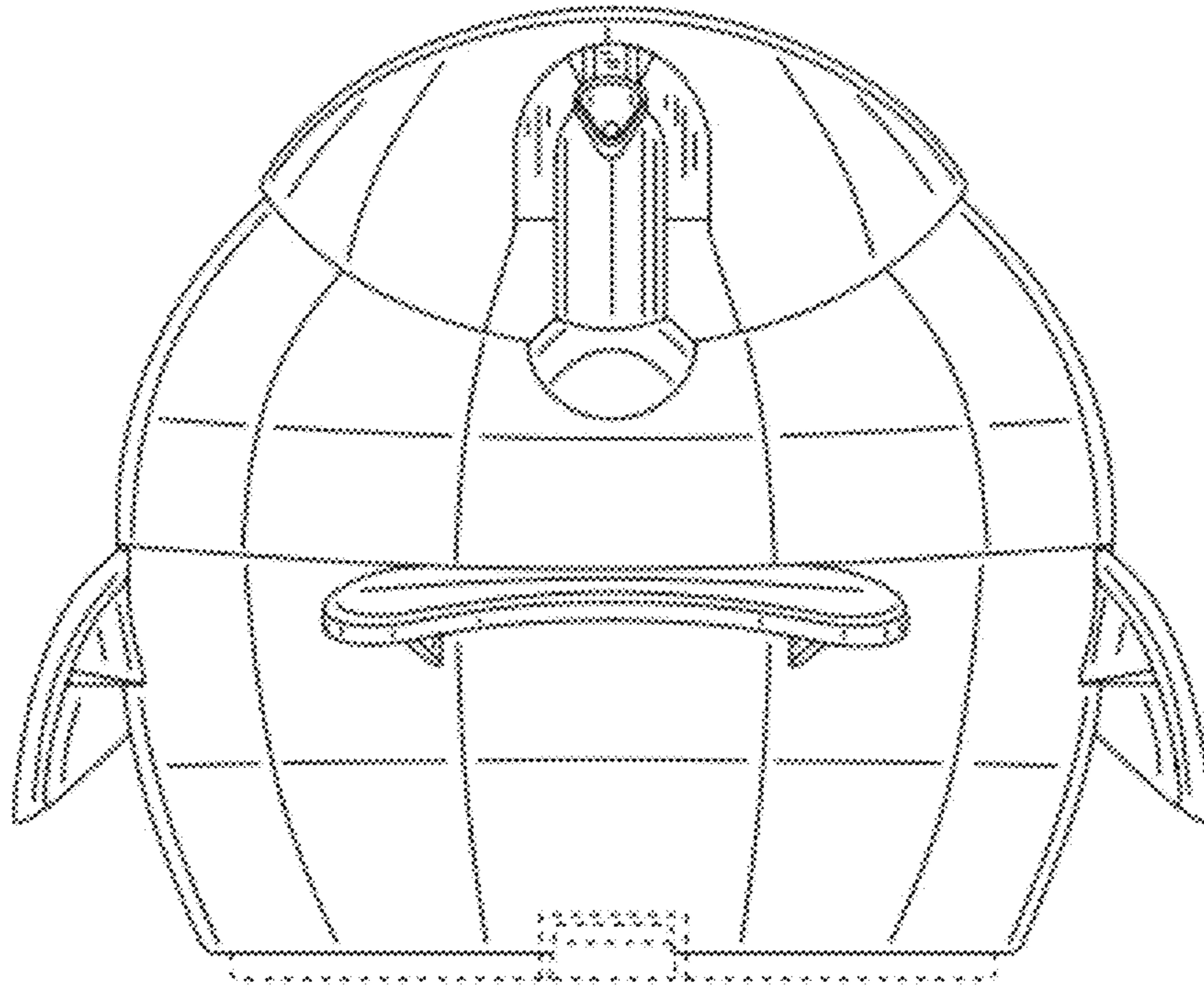


FIG. 3

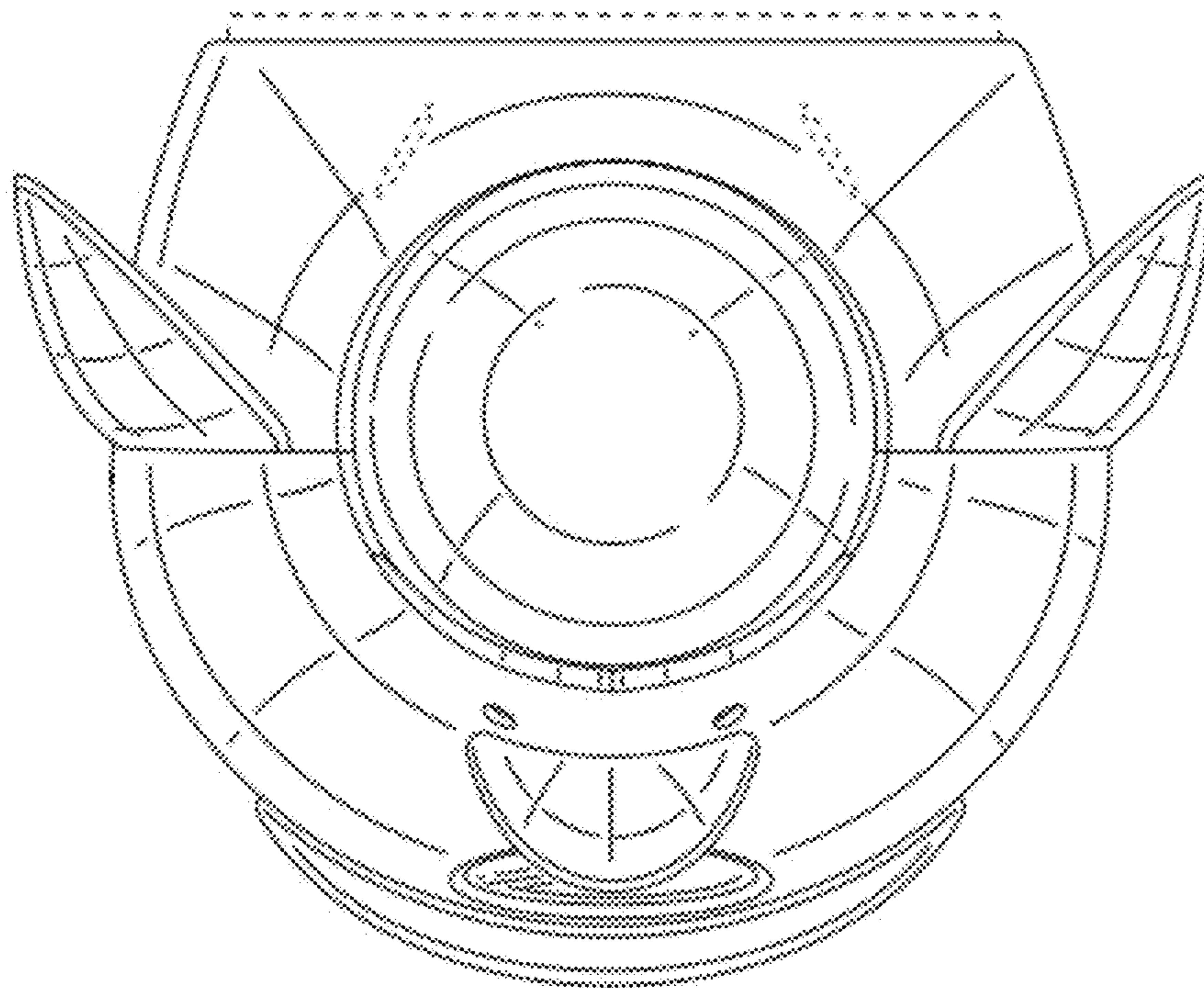


FIG. 4

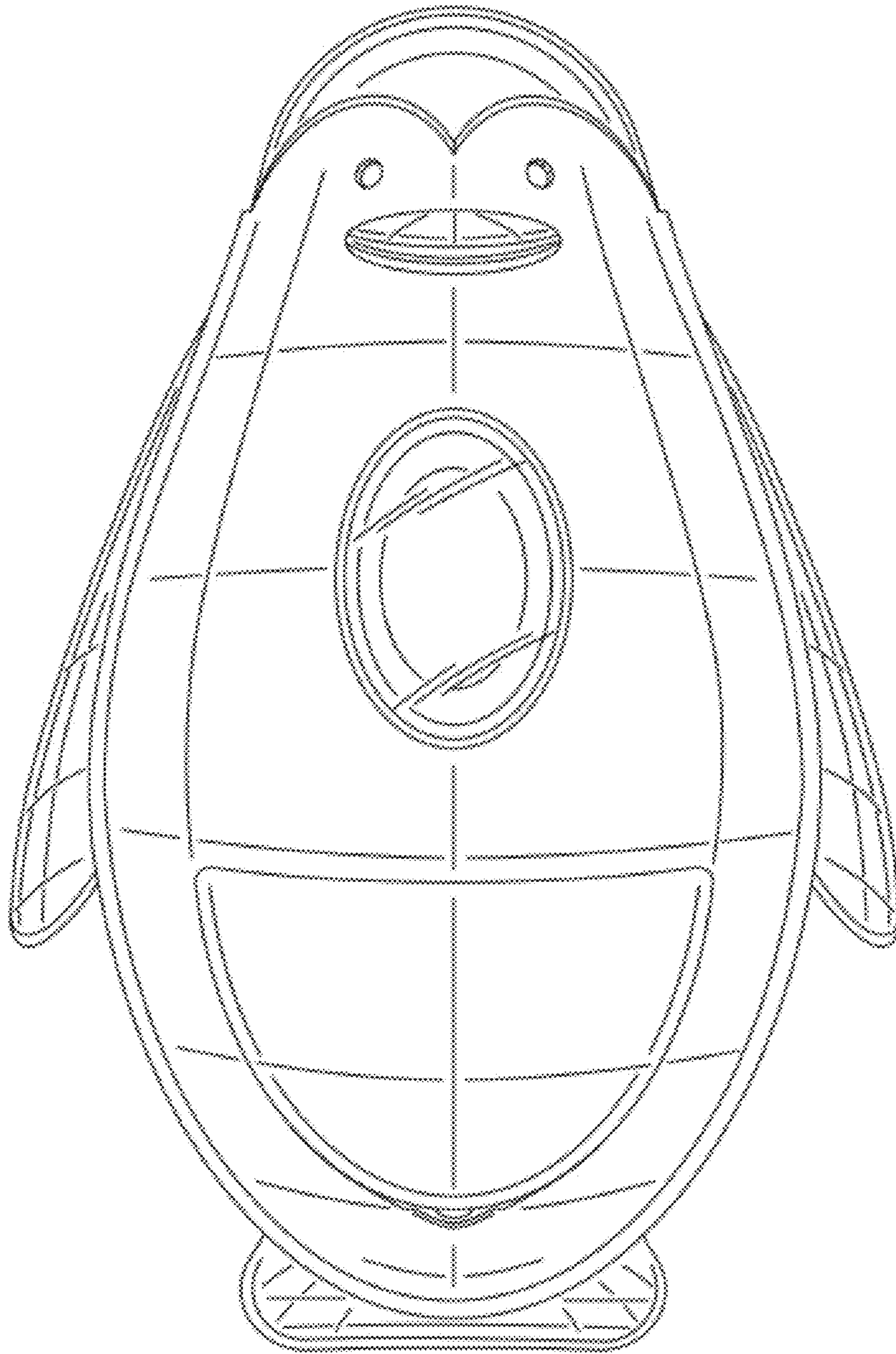


FIG. 5

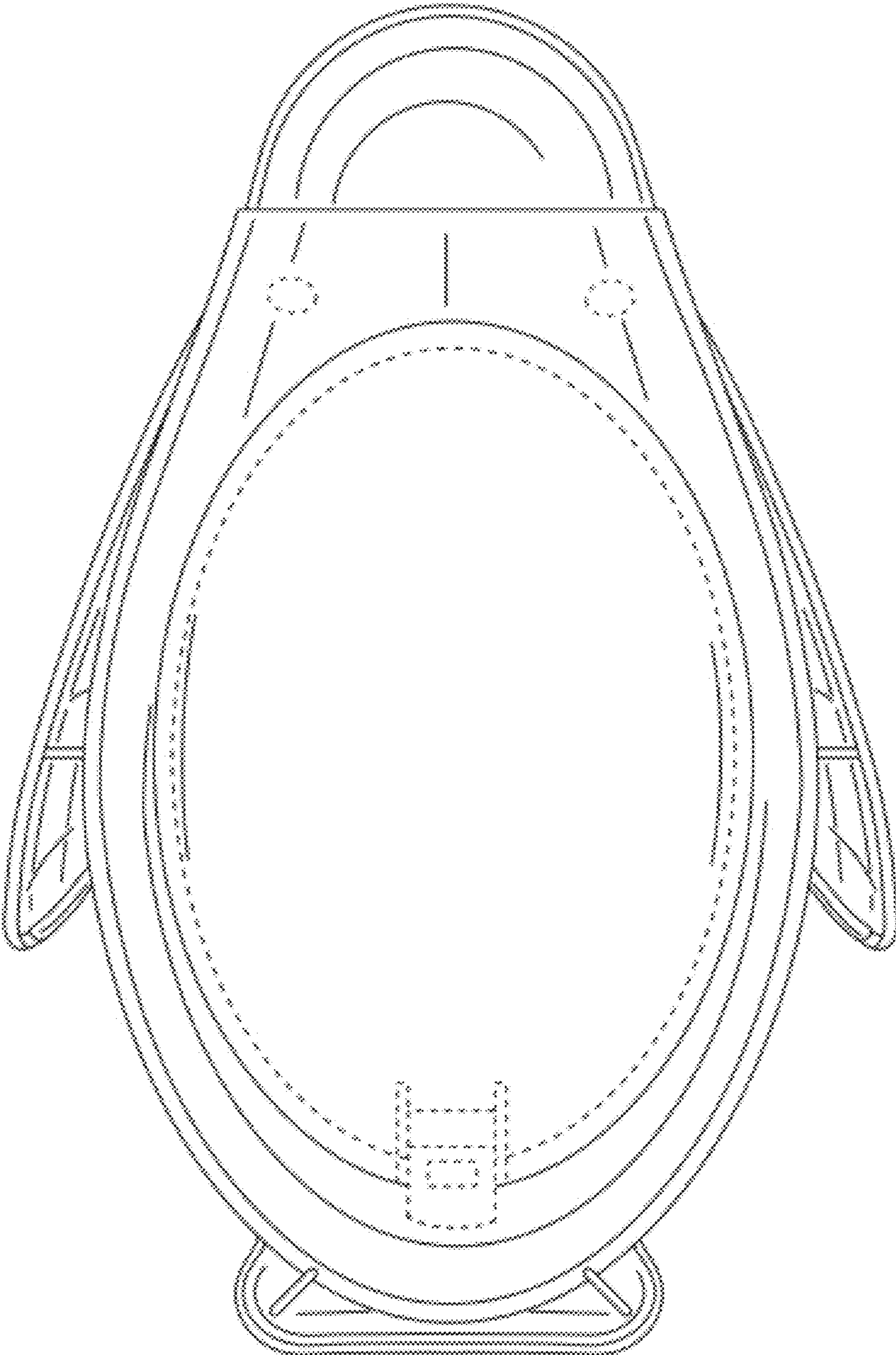


FIG. 6