

US00D668897S

(12) **United States Design Patent**
Romero

(10) **Patent No.:** **US D668,897 S**

(45) **Date of Patent:** **** Oct. 16, 2012**

(54) **BATH ACCESSORY POST**

(75) Inventor: **Emilie Williams Romero**, Chicago, IL
(US)

(73) Assignee: **Liberty Hardware Mfg. Corp.**,
Winston-Salem, NC (US)

(**) Term: **14 Years**

(21) Appl. No.: **29/414,328**

(22) Filed: **Feb. 28, 2012**

(51) **LOC (9) Cl.** **23-02**

(52) **U.S. Cl.** **D6/524**

(58) **Field of Classification Search** D6/518-524,
D6/546-550; D8/300, 370, 315; 108/28-29;
211/13.1, 16, 85.5, 86.01, 87.01, 88.04, 100,
211/105.1, 105.2, 106, 113, 123, 181.1, 182-183;
248/49, 175, 176.1, 200, 201, 205.1, 251,
248/302, 309.1, 315; 242/570, 590, 595-598
See application file for complete search history.

(56) **References Cited**

U.S. PATENT DOCUMENTS

D466,736 S * 12/2002 Ouyoung D6/524
D519,766 S * 5/2006 Gilbert D6/524

D608,124 S * 1/2010 Sedwick D6/524
D633,736 S * 3/2011 Sedwick D6/524
D654,742 S * 2/2012 Slothower et al. D6/524

* cited by examiner

Primary Examiner — Brian N Vinson

(74) *Attorney, Agent, or Firm* — Lora J. Graentzdoerffer;
Nirav D. Parikh; Edgar A. Zarins

(57) **CLAIM**

The ornamental design for a bath accessory post, as shown
and described.

DESCRIPTION

FIG. 1 is a perspective view of a bath accessory post showing
our design;
FIG. 2 is a front elevational view thereof;
FIG. 3 is a rear elevational view thereof;
FIG. 4 is a right side elevational view thereof;
FIG. 5 is a left side elevational view thereof;
FIG. 6 is a top plan view thereof; and,
FIG. 7 is a bottom plan view thereof.
The broken-line disclosure in the views represents portions of
the article in which the claimed design is embodied, but which
form no part of the claimed design.

1 Claim, 7 Drawing Sheets



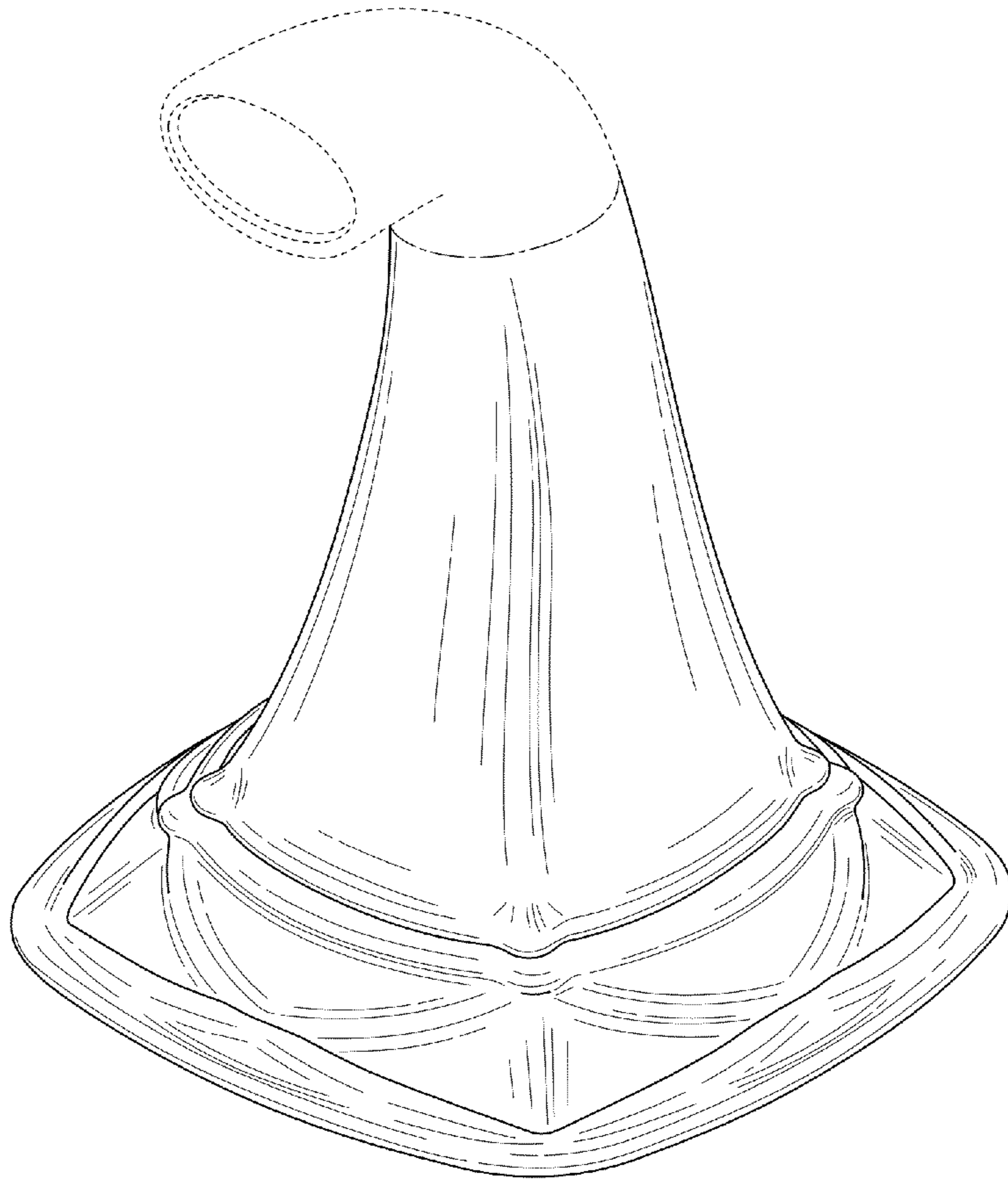


FIG. 1

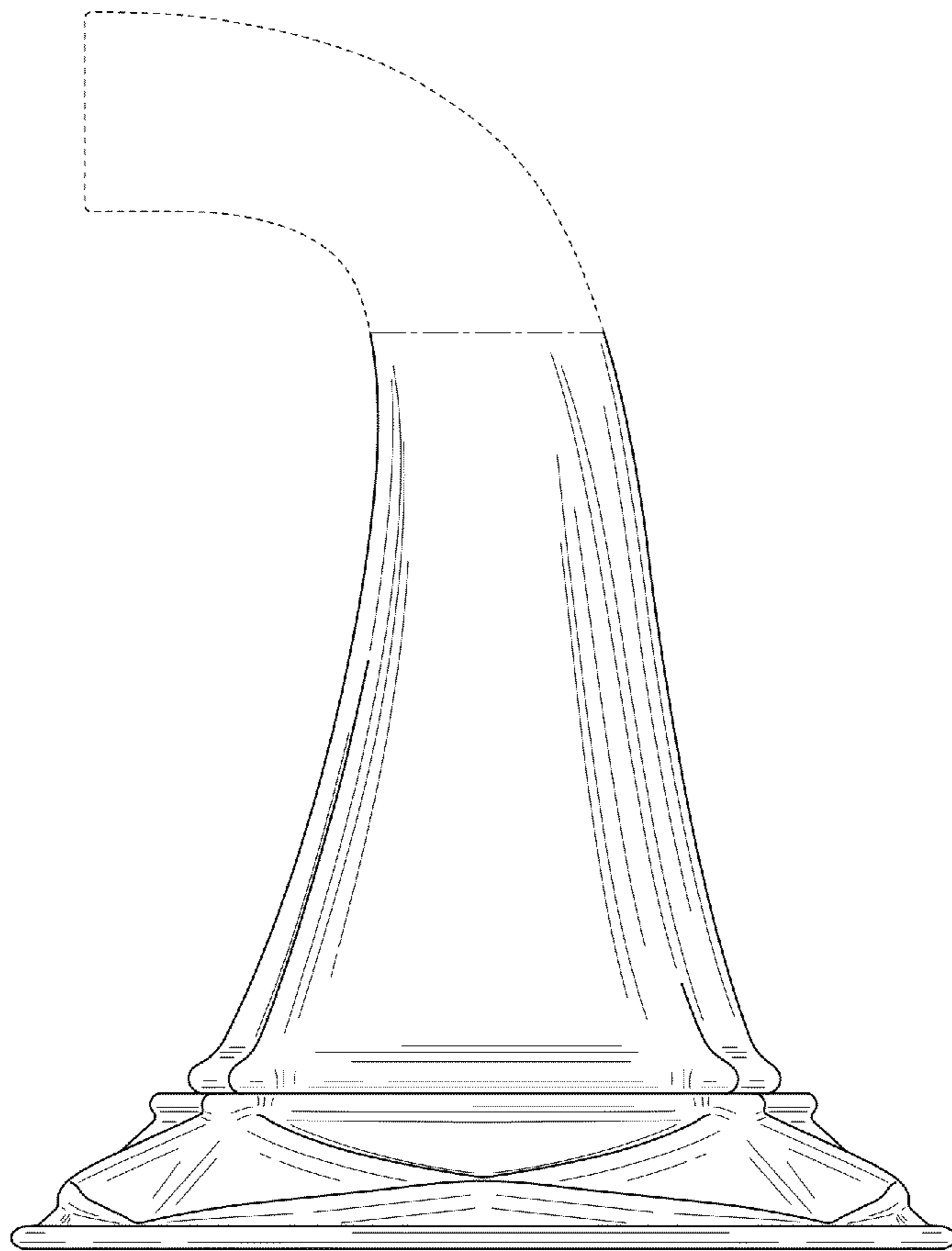


FIG. 2

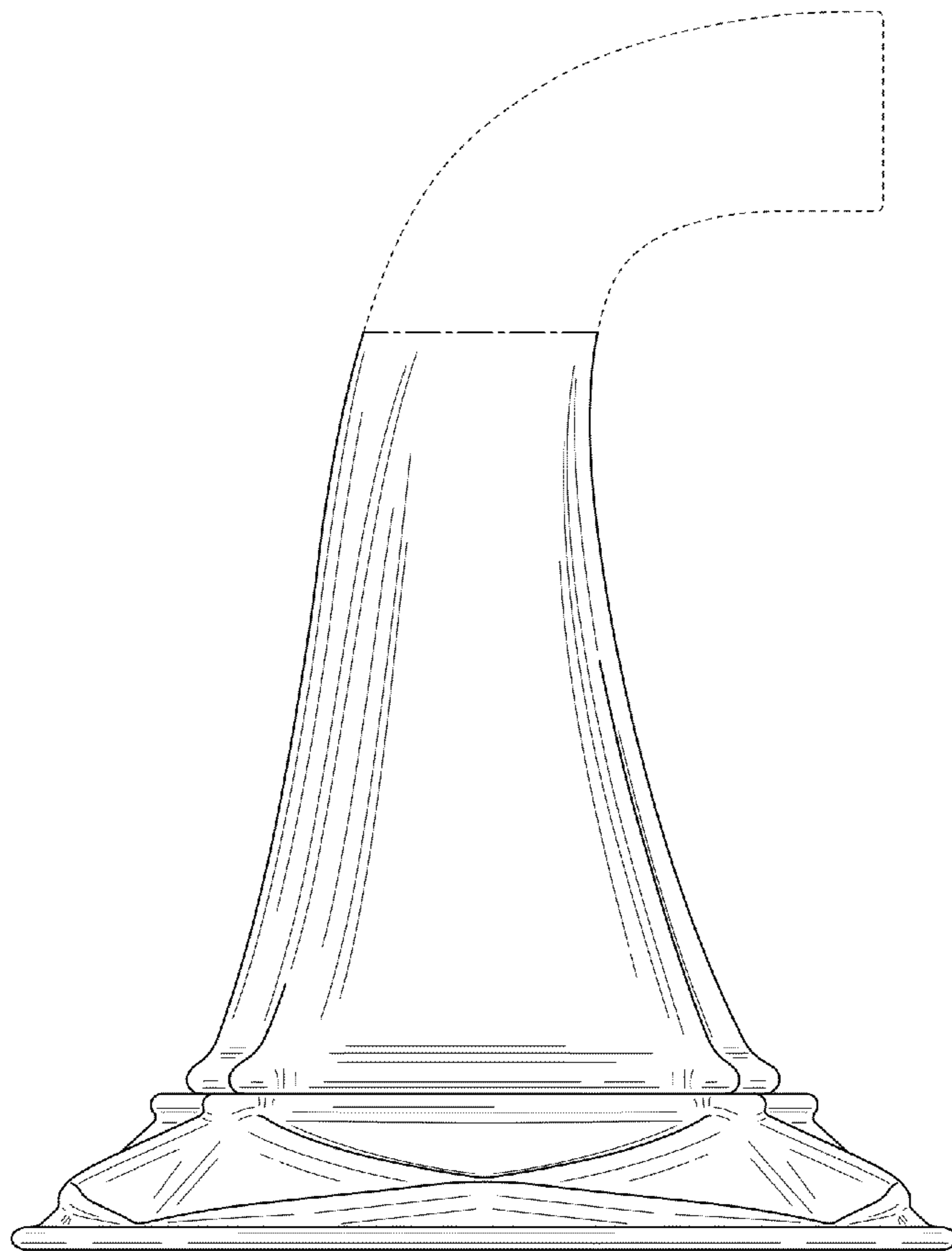


FIG. 3

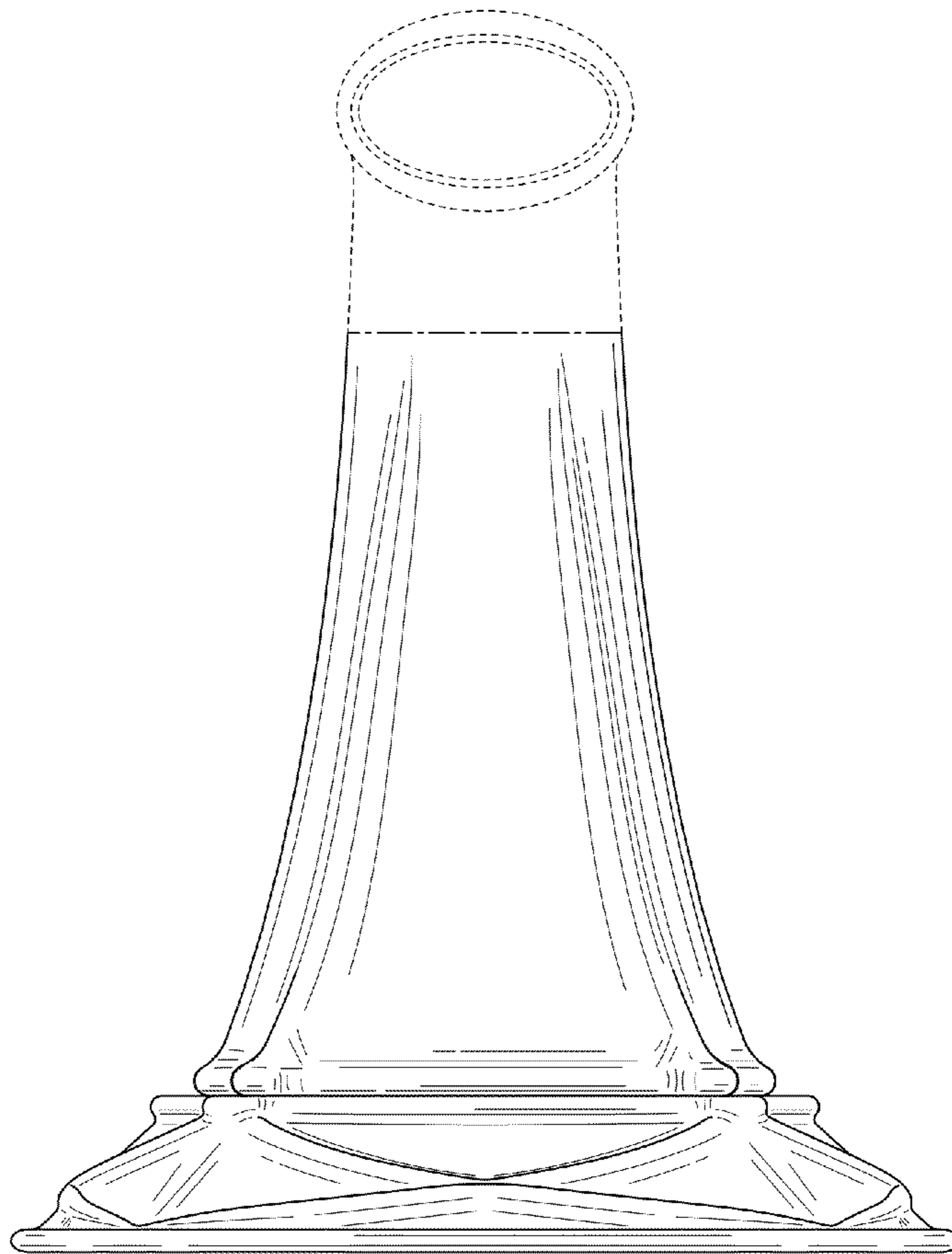


FIG. 4

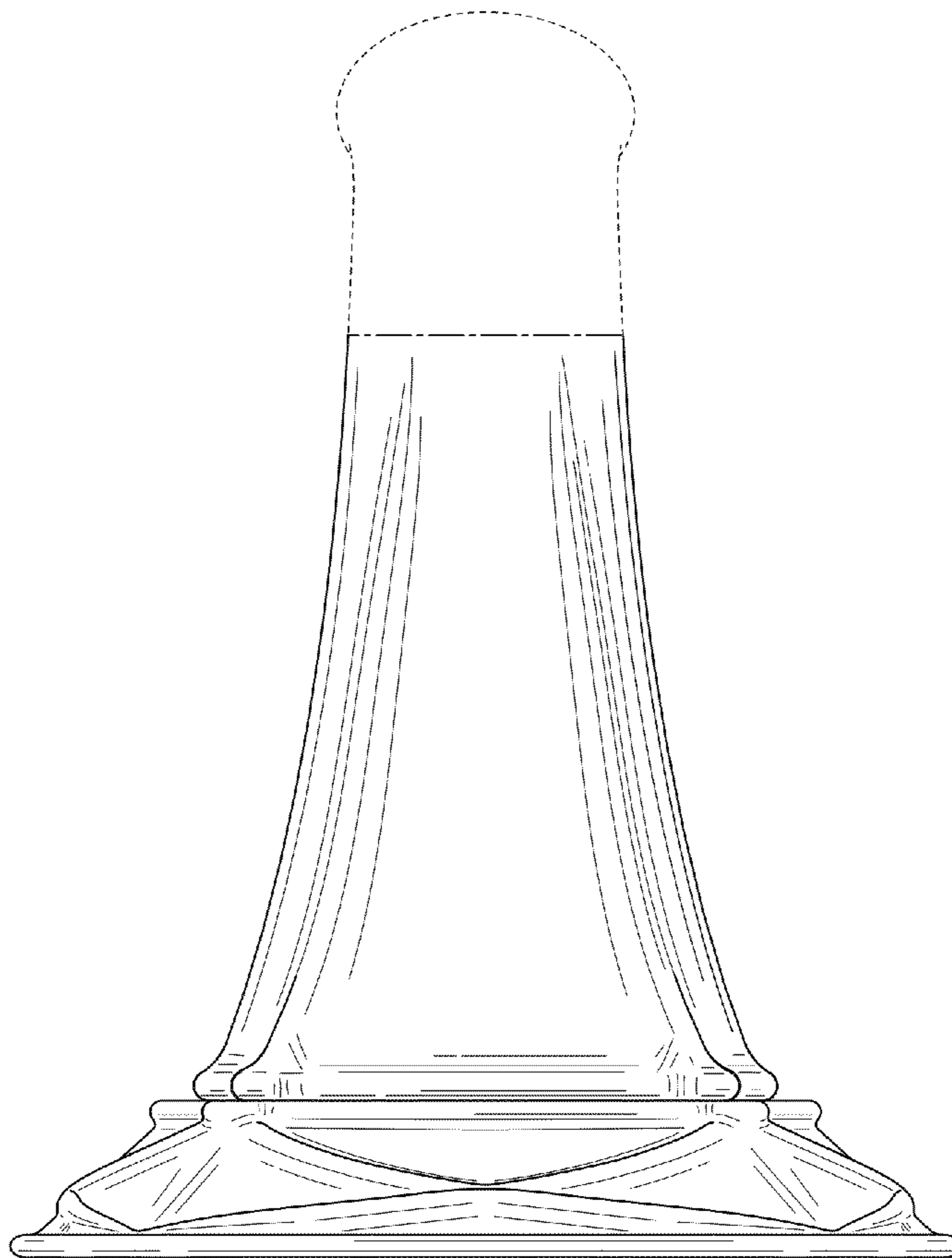


FIG. 5

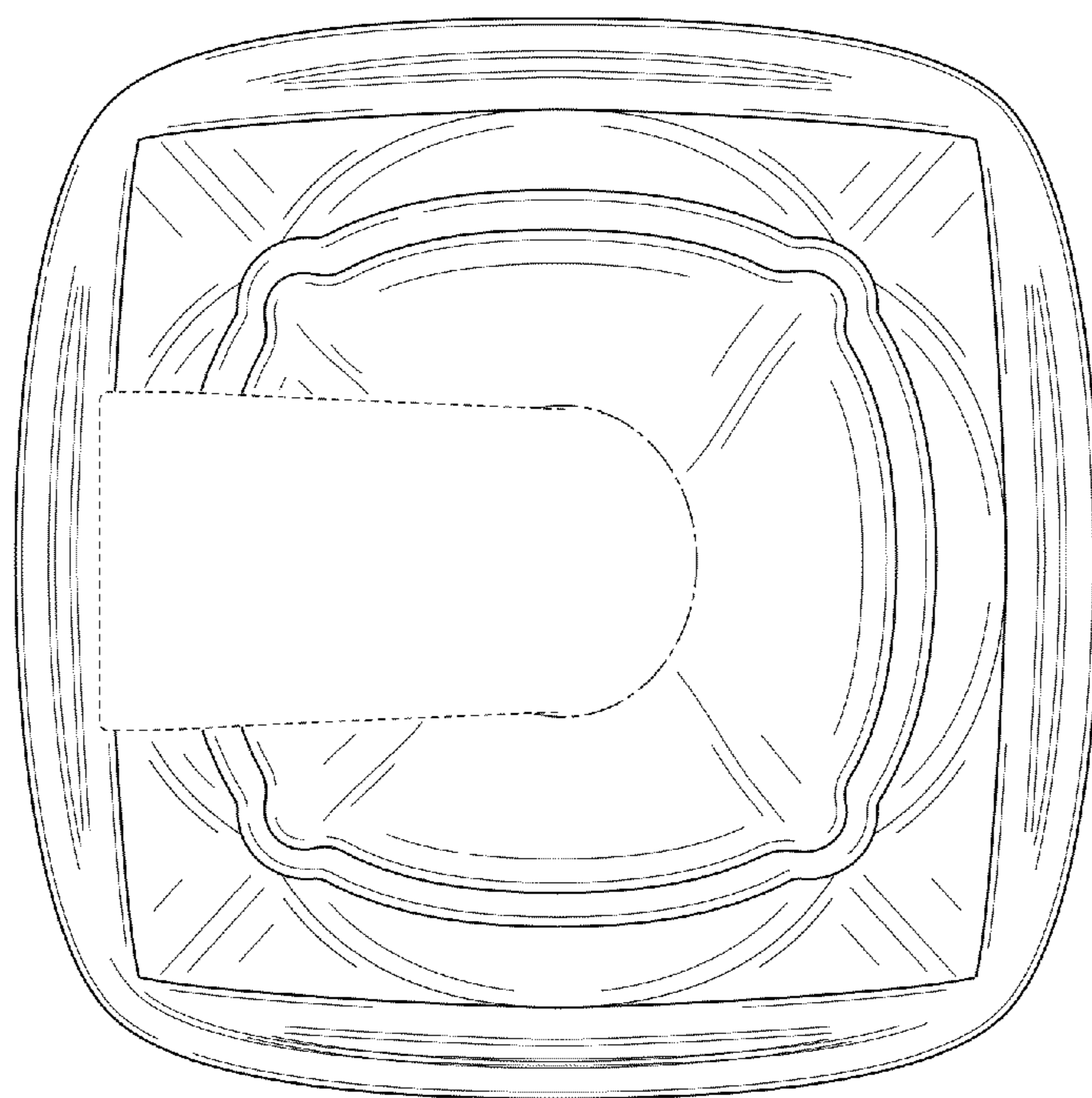


FIG. 6

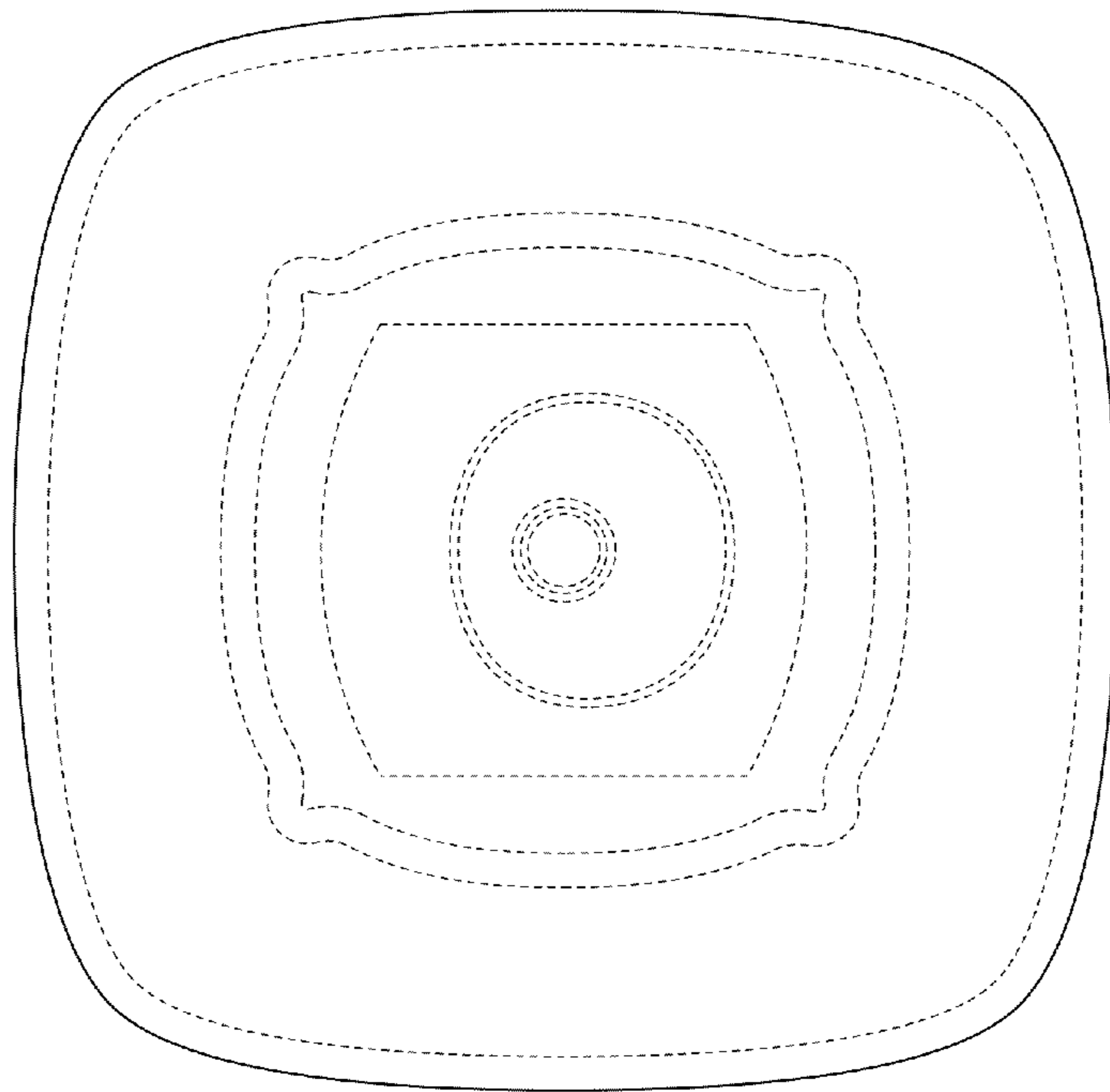


FIG. 7