



US00D668895S

(12) **United States Design Patent**  
**Kitagawara**

(10) **Patent No.:** **US D668,895 S**  
(45) **Date of Patent:** **\*\* Oct. 16, 2012**

(54) **CHAIR**

(75) Inventor: **Atsushi Kitagawara**, Tokyo (JP)

(73) Assignee: **Okamura Corporation**, Yokohama-shi (JP)

(\*\*) Term: **14 Years**

(21) Appl. No.: **29/391,165**

(22) Filed: **May 4, 2011**

(30) **Foreign Application Priority Data**

Nov. 8, 2010 (JP) ..... 2010-026808

(51) **LOC (9) Cl.** ..... **06-01**

(52) **U.S. Cl.** ..... **D6/500; D6/375**

(58) **Field of Classification Search** ..... D6/334-336,  
D6/371, 372, 373, 374, 375, 376, 379, 380,  
D6/500-502; 297/295, 440.11, 445.1, 446.1,  
297/448.1, 448.2, 452.12, 452.13, 452.14,  
297/452.19, 452.29

See application file for complete search history.

(56) **References Cited**

**U.S. PATENT DOCUMENTS**

2,246,057	A *	6/1941	Michaelis	.....	297/295
2,325,270	A *	7/1943	Oermann	.....	297/452.14
2,536,326	A *	1/1951	Thaden	.....	297/295
3,471,200	A *	10/1969	Morrison	.....	297/440.11
D358,500	S *	5/1995	Pedersen	.....	D6/371
D513,910	S *	1/2006	Gehry	.....	D6/500
D581,686	S *	12/2008	Miller et al.	.....	D6/375
D618,005	S *	6/2010	Heltemes et al.	.....	D6/375

D646,498	S *	10/2011	Blasini et al.	.....	D6/375
D648,560	S *	11/2011	Sandona	.....	D6/375
D654,717	S *	2/2012	Kitagawara	.....	D6/373

\* cited by examiner

*Primary Examiner* — Mimoso De

(74) *Attorney, Agent, or Firm* — Sughrue Mion, PLLC

(57) **CLAIM**

The ornamental design for a chair, as shown and described.

**DESCRIPTION**

FIG. 1 is a perspective view from the front side of a chair.

FIG. 2 is a perspective view from the rear side thereof.

FIG. 3 is a front elevation view thereof.

FIG. 4 is a right side elevation view thereof. A left side elevation view is omitted because it is a mirror image of the right side elevation view.

FIG. 5 is a top plan view thereof.

FIG. 6 is a rear elevation view thereof.

FIG. 7 is a bottom plan view thereof.

FIG. 8 is a cross sectional view thereof taken along Line 8-8 in FIG. 3.

FIG. 9 is a cross sectional view thereof taken along Line 9-9 in FIG. 3.

FIG. 10 is a perspective view thereof with the upper part of the backrest flat.

FIG. 11 is a perspective view thereof with the lower part of the backrest folded up and the upper part of the backrest folded forward; and,

FIG. 12 is a perspective view thereof with the lower part of the backrest folded up and the upper part of the backrest folded backward.

The portions of the chair shown in broken lines are for the purpose of showing environmental structure only and form no part of the claimed design.

**1 Claim, 12 Drawing Sheets**

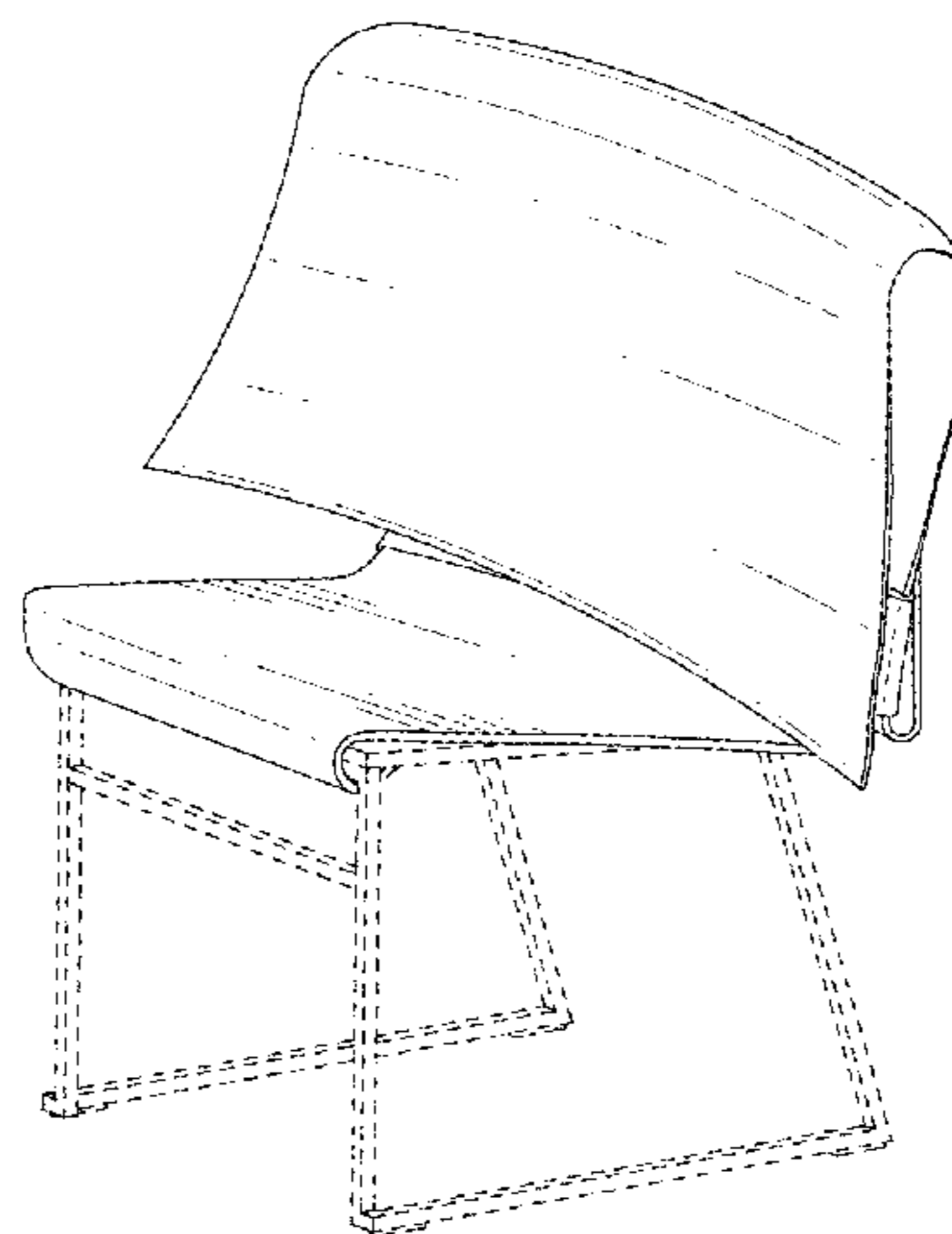
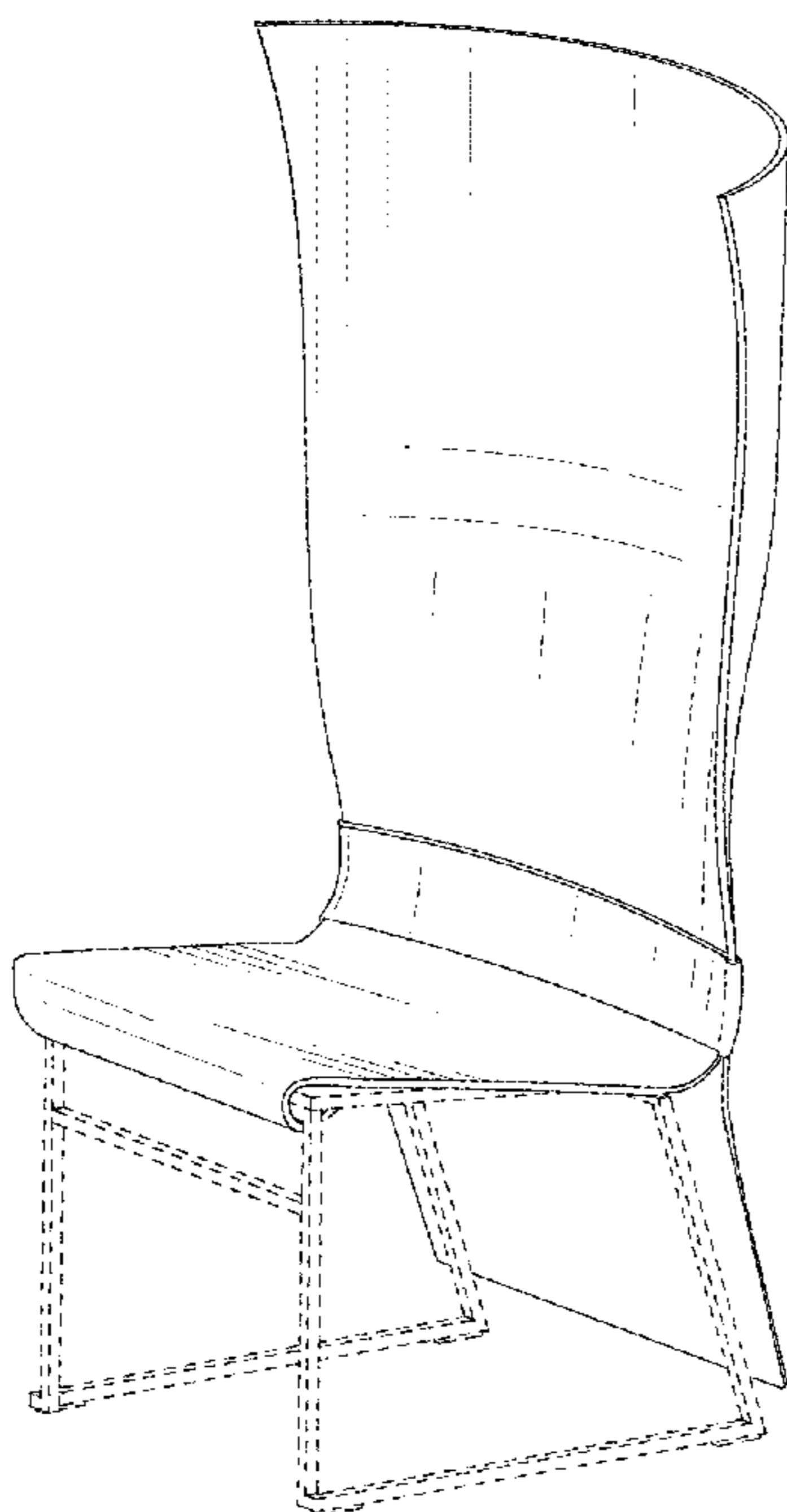


FIG. 1

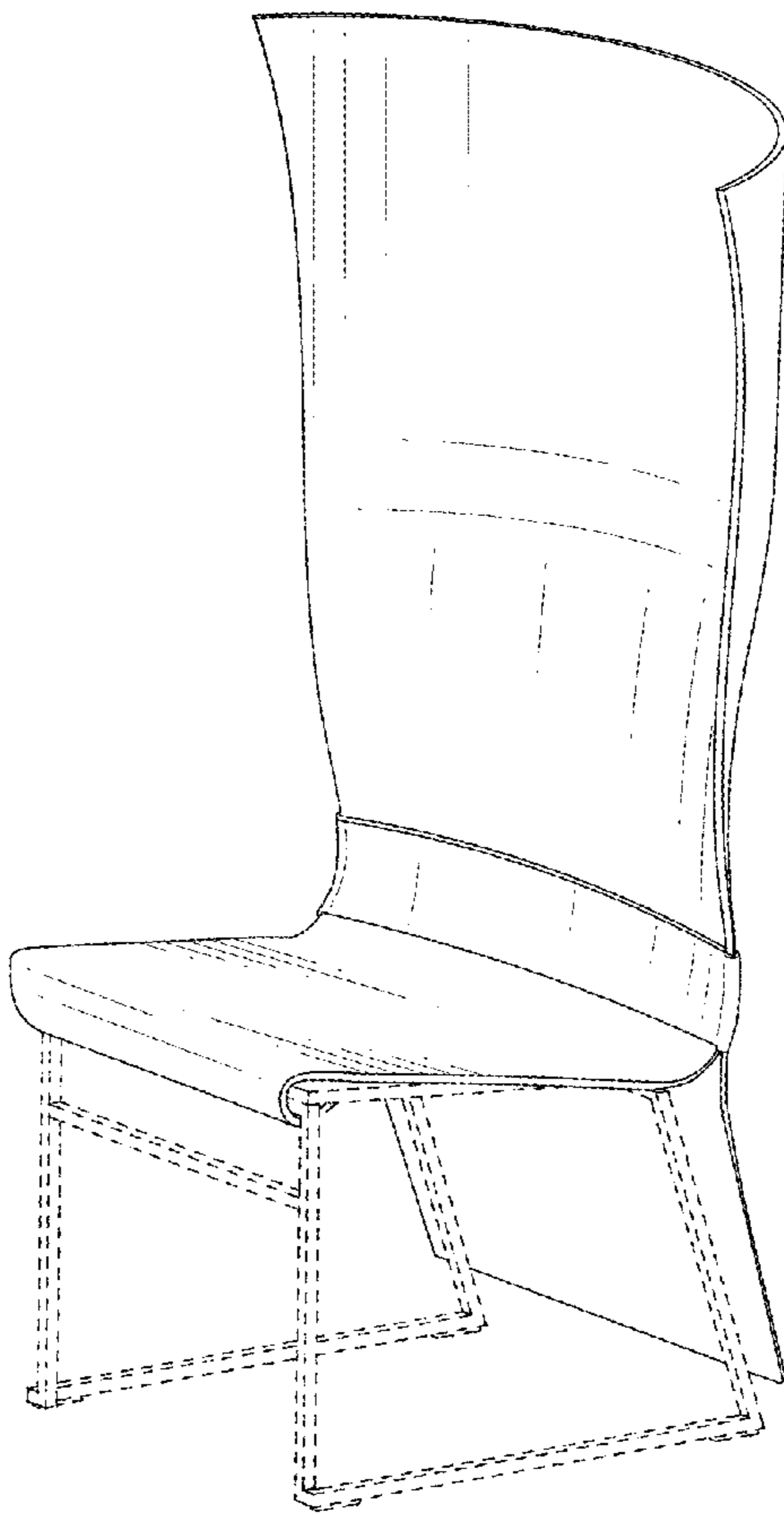


FIG. 2

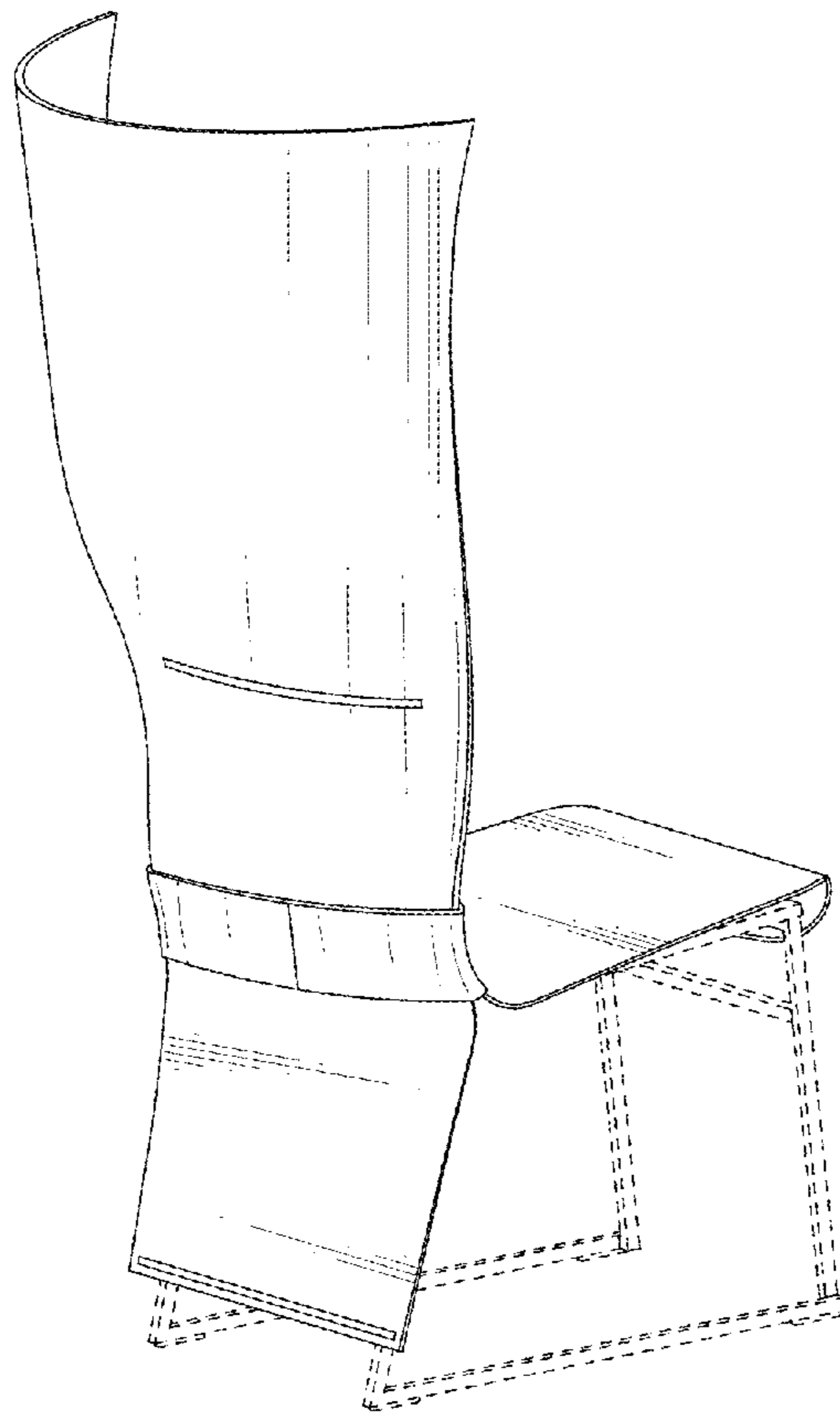


FIG. 3

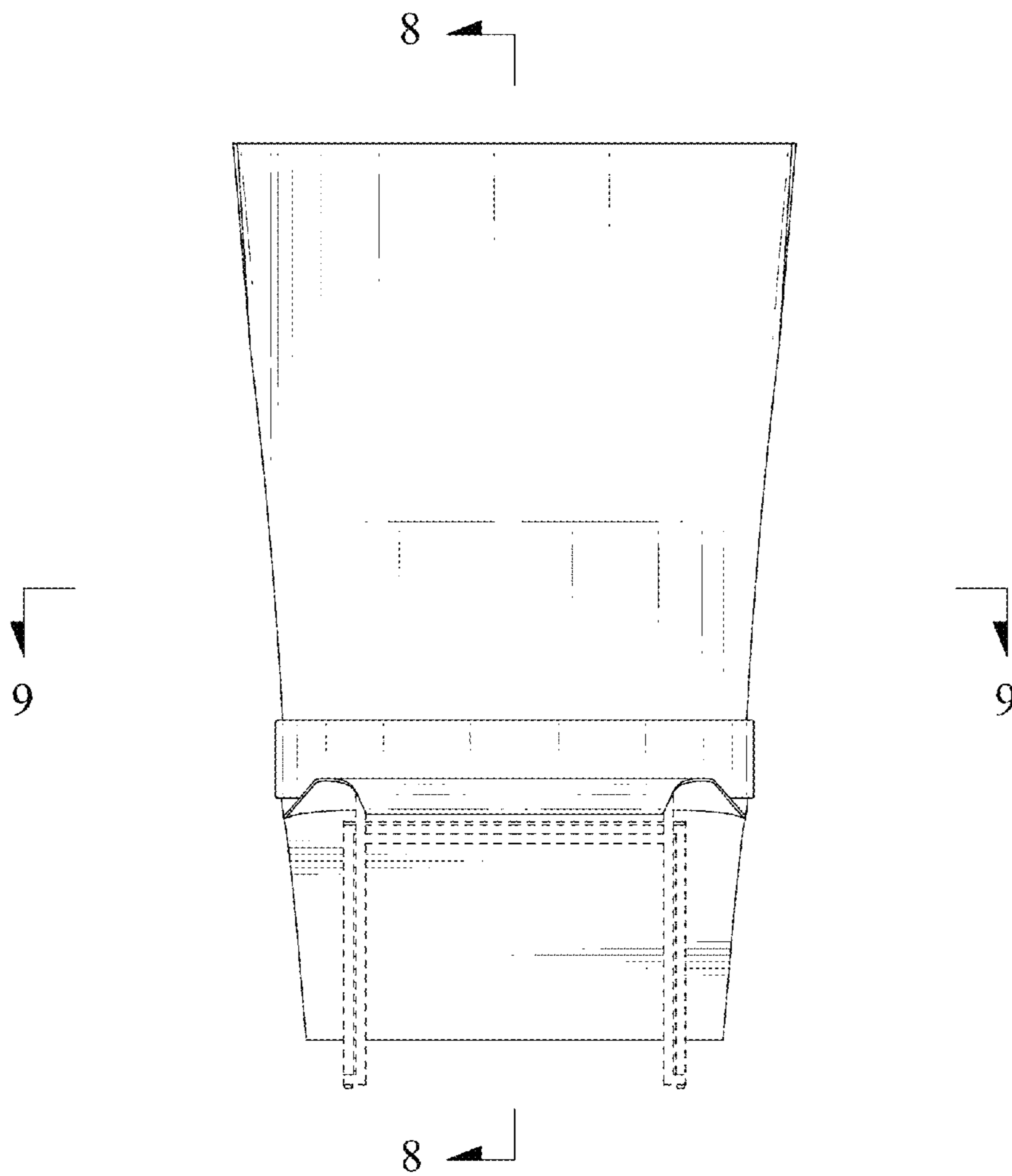


FIG. 4

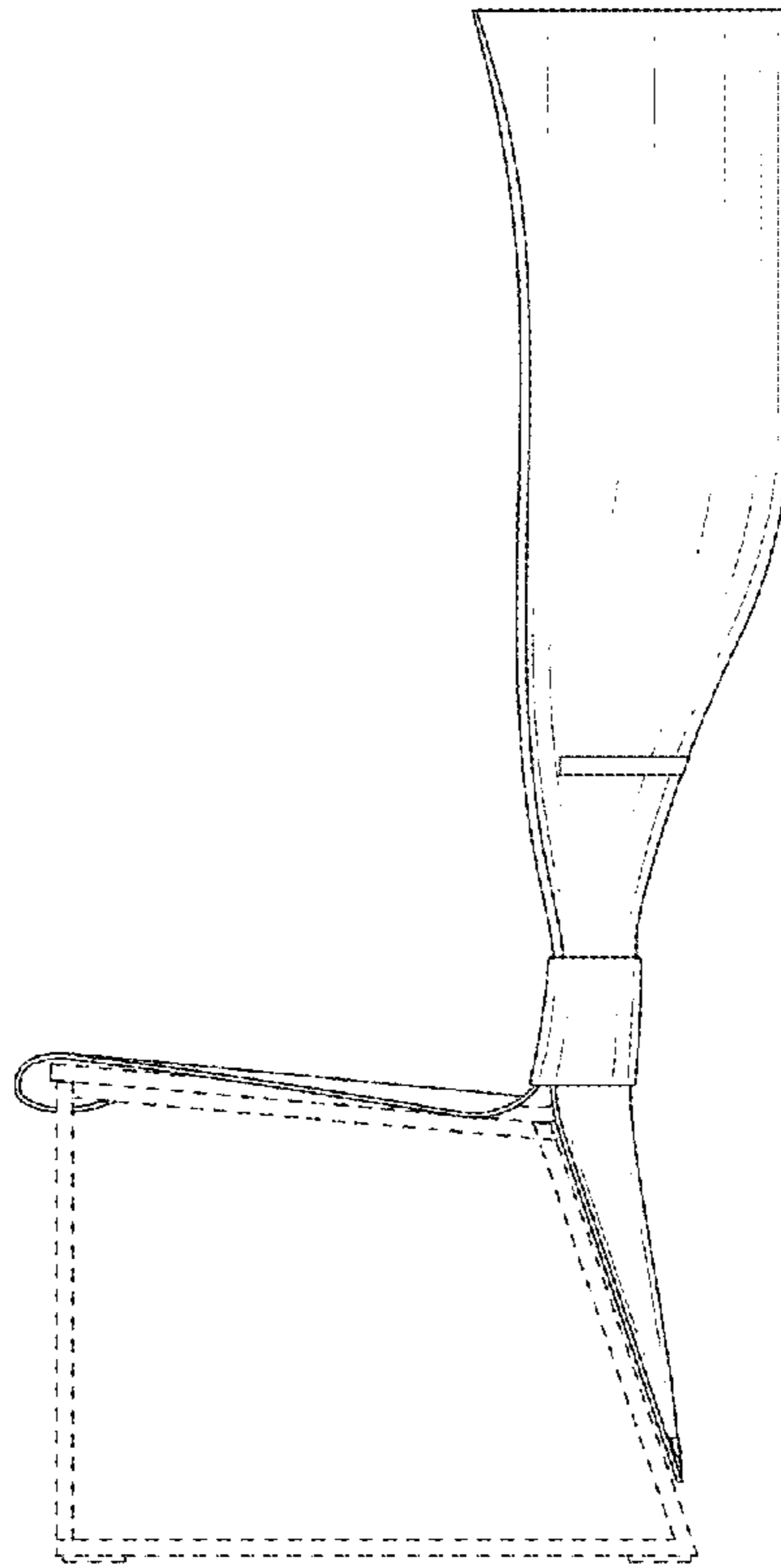


FIG. 5

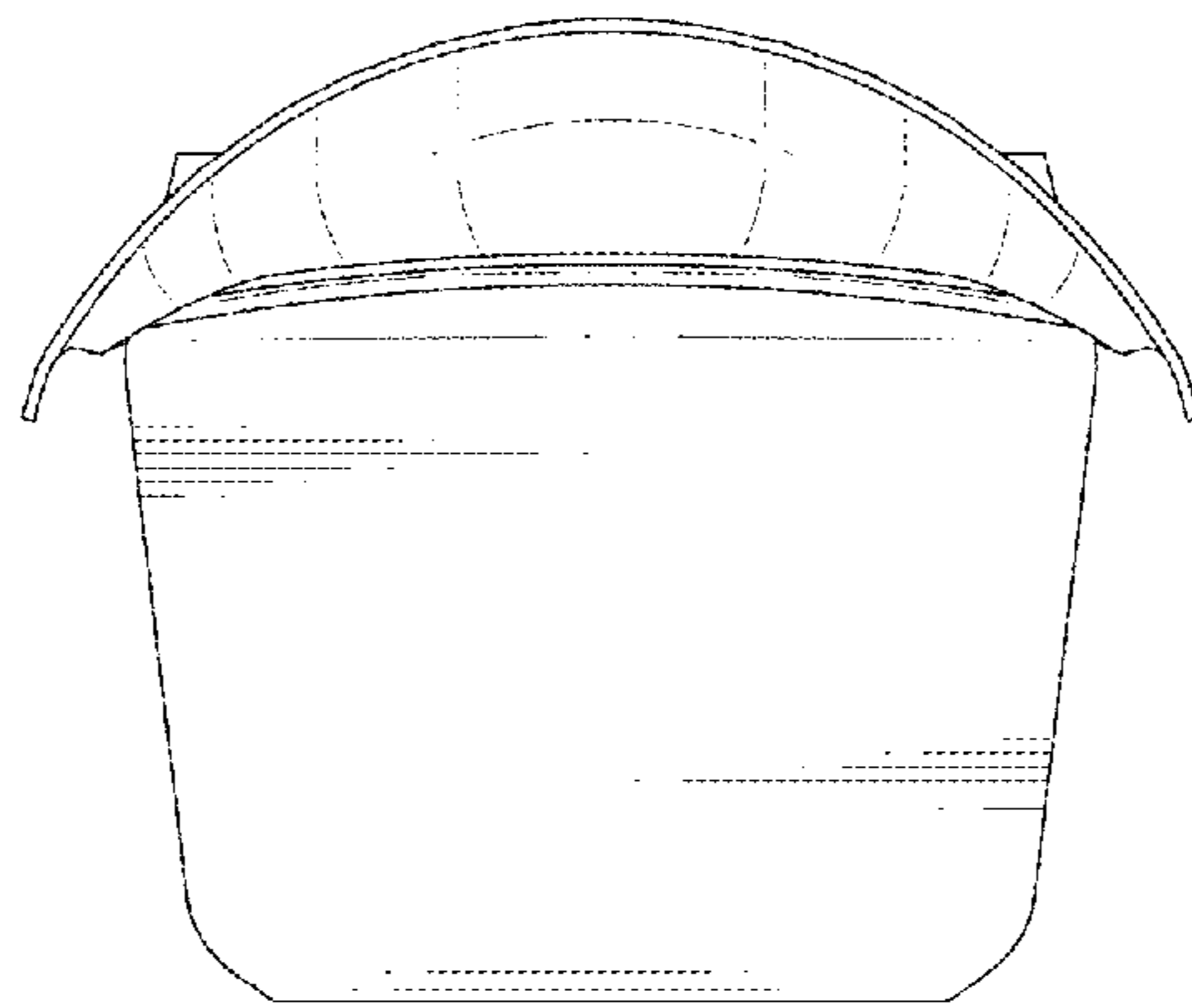


FIG. 6

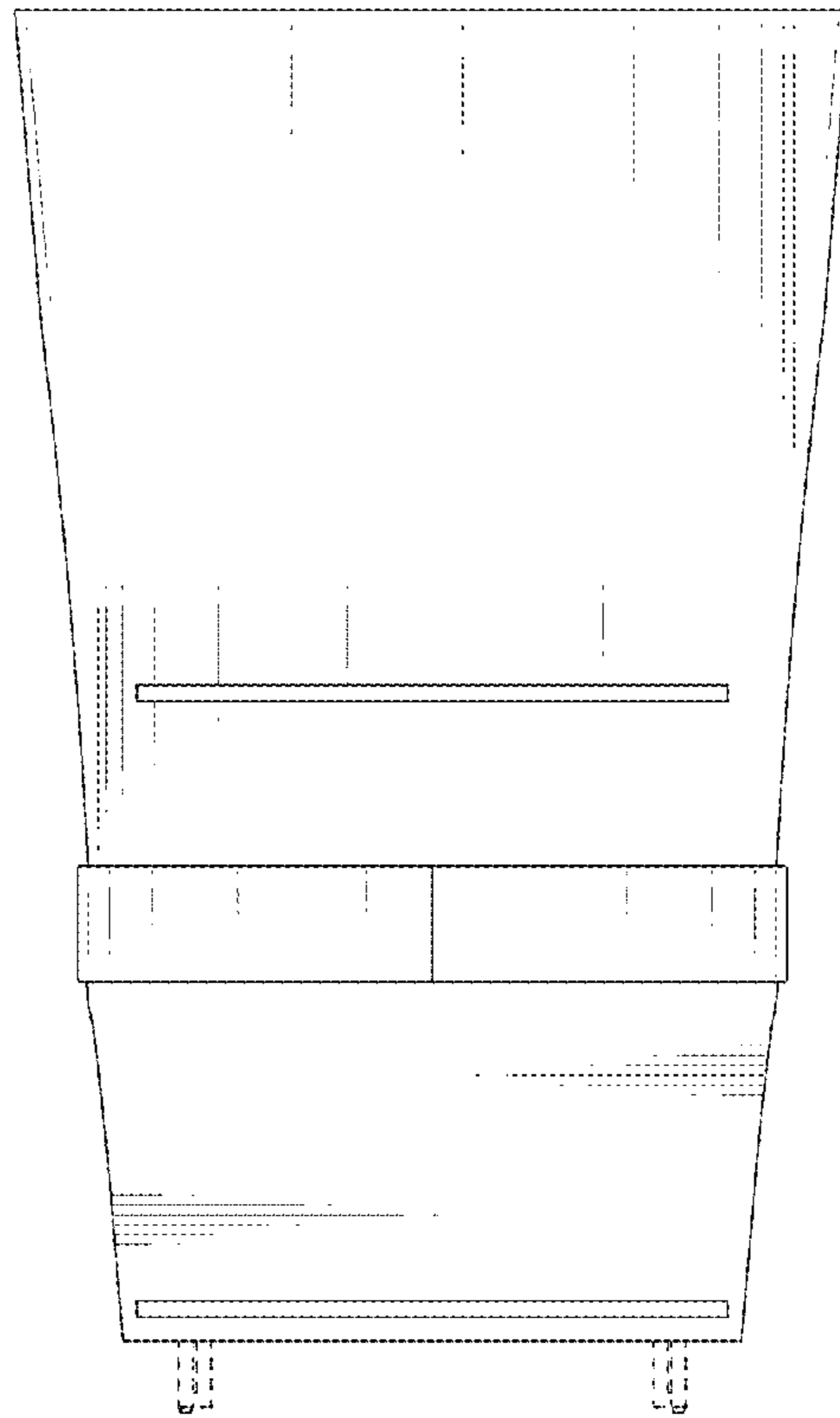


FIG. 7

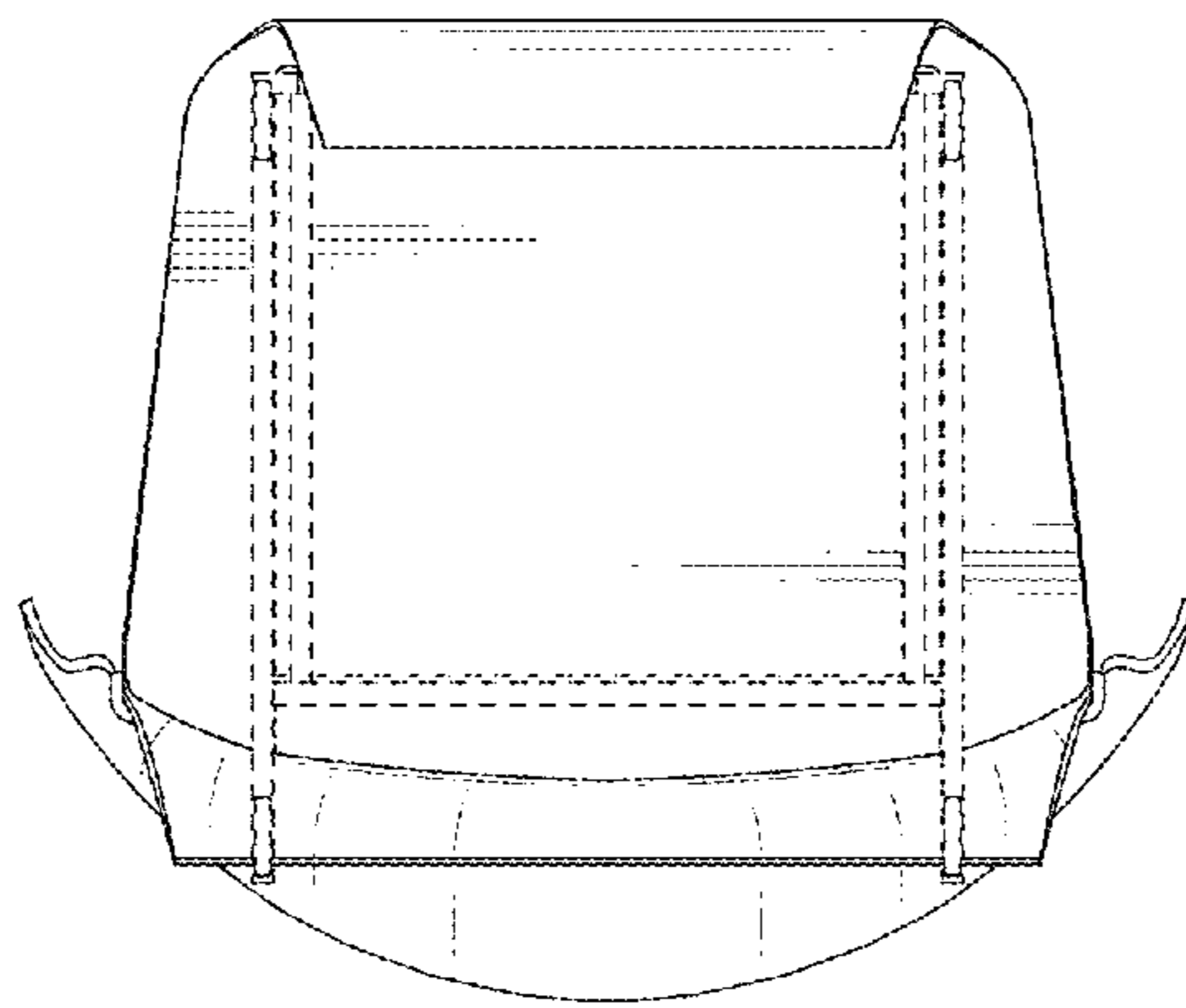




FIG. 8

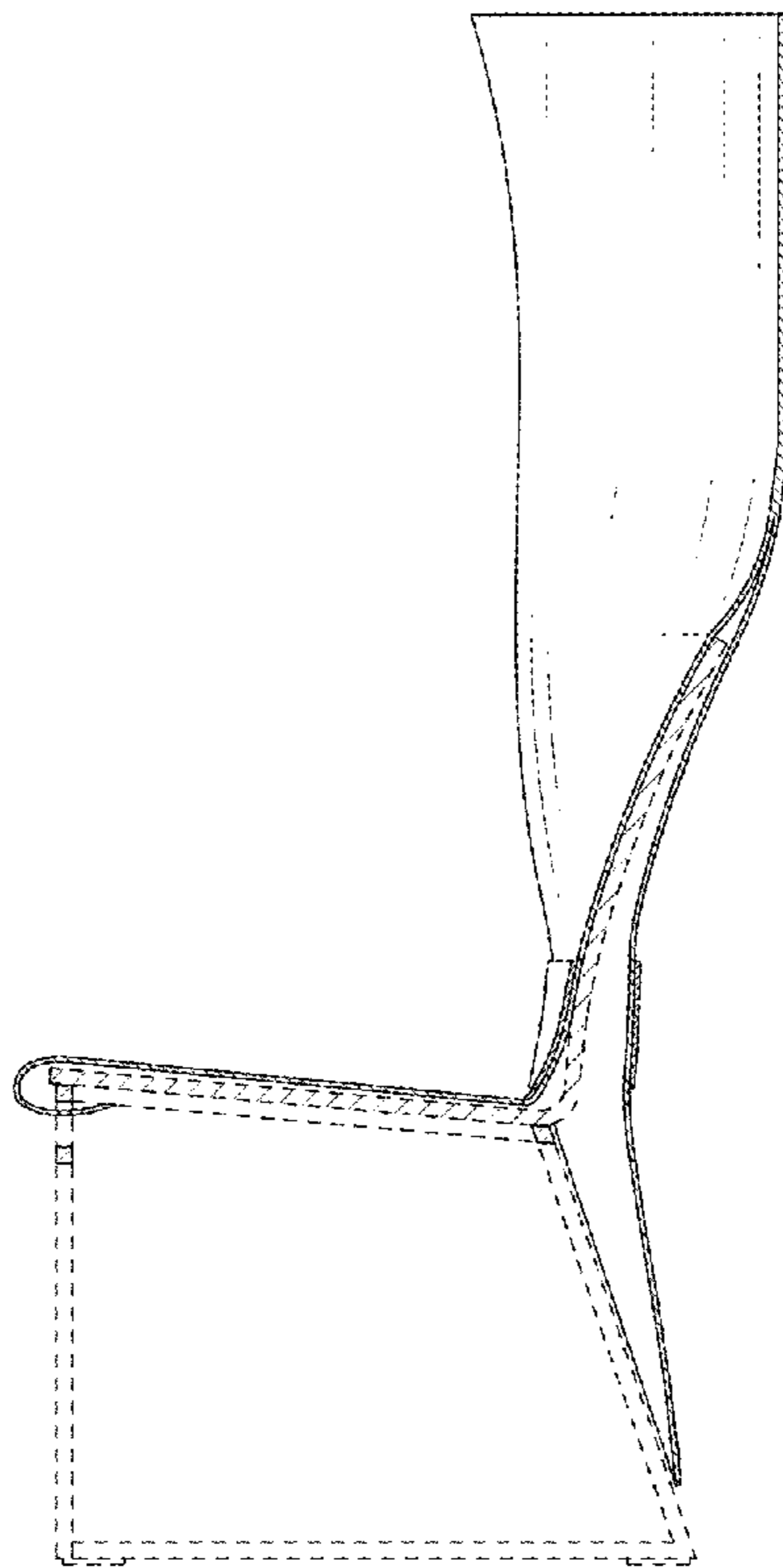


FIG. 9

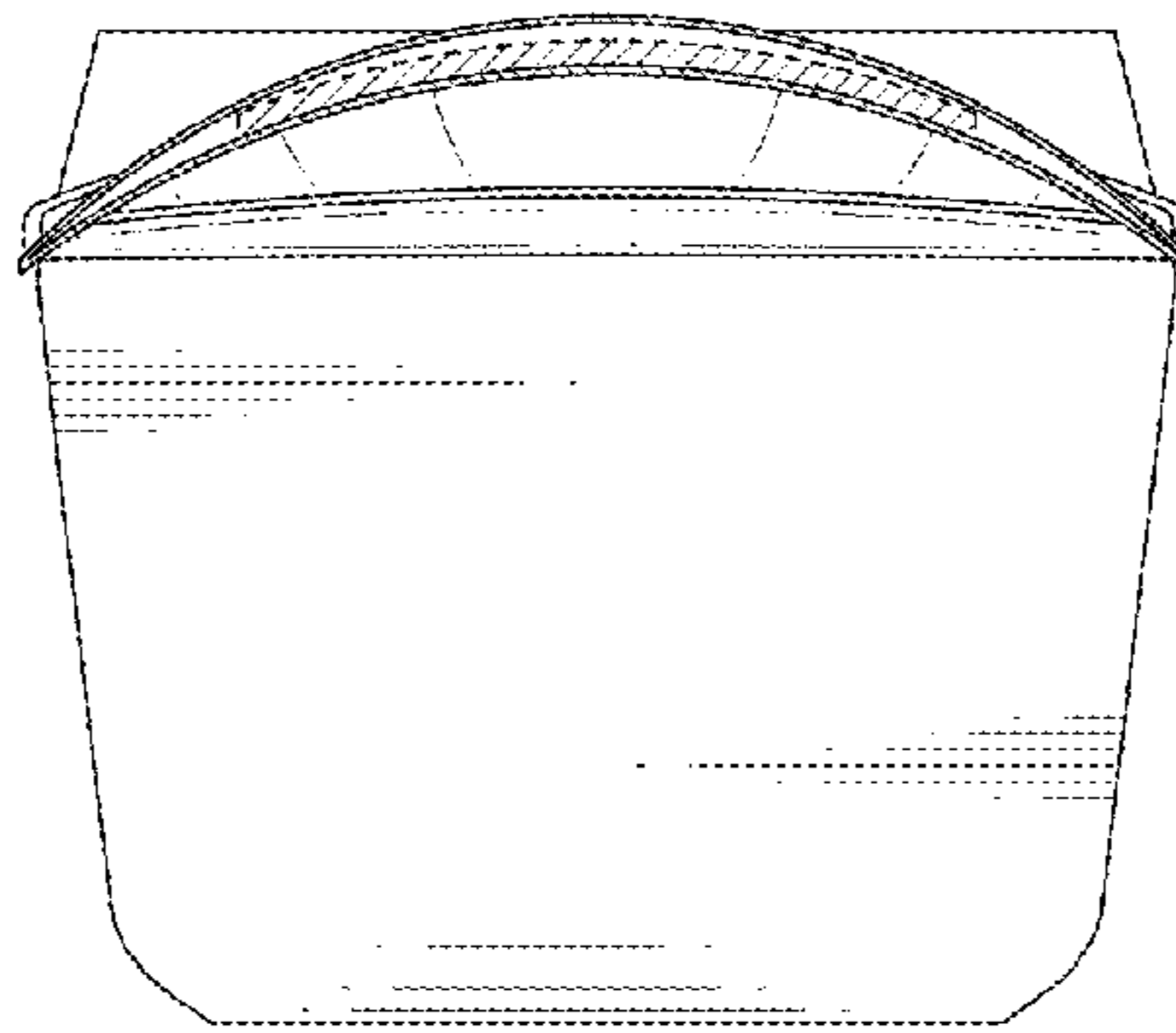


FIG. 10

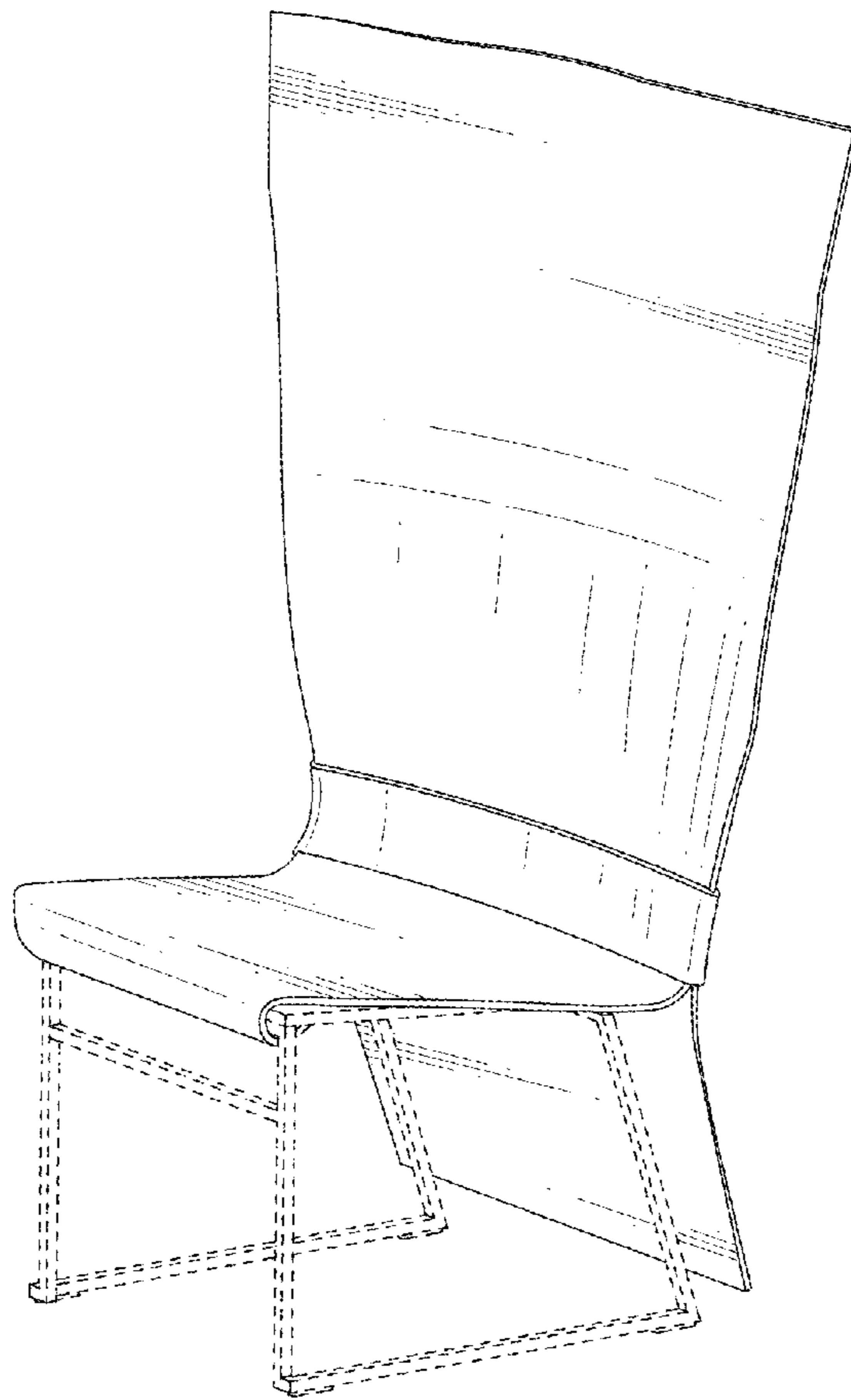


FIG. 11

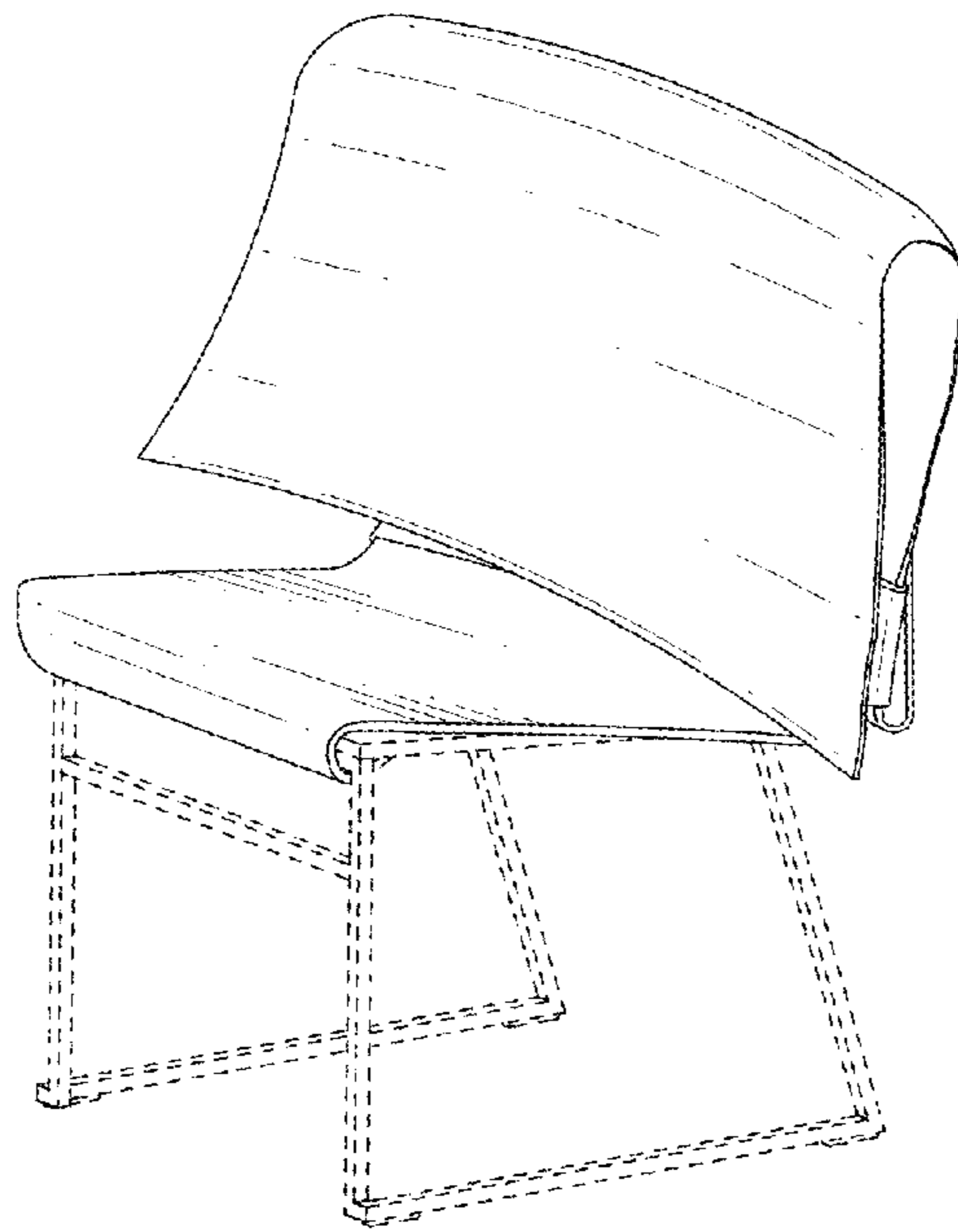


FIG. 12

