



US00D668894S

(12) **United States Design Patent**
Denby et al.

(10) **Patent No.:** **US D668,894 S**

(45) **Date of Patent:** **** Oct. 16, 2012**

(54) **PAIR OF SUPPORT LEGS**

(75) Inventors: **Scott Denby**, Minneapolis, MN (US);
Joseph R. Stukenberg, Minneapolis,
MN (US)

(73) Assignee: **Target Brands, Inc.**, Minneapolis, MN
(US)

(**) Term: **14 Years**

(21) Appl. No.: **29/393,746**

(22) Filed: **Jun. 8, 2011**

(51) **LOC (9) Cl.** **06-06**

(52) **U.S. Cl.** **D6/495**

(58) **Field of Classification Search** D6/480-489,
D6/495-499, 429, 349, 332, 419, 421, 422,
D6/410, 411, 449, 462, 420; 108/150, 153.1,
108/156, 157, 161; 248/188, 118.1, 188.5,
248/188.7, 188.8, 165, 440.1; D20/41; 160/135;
52/239

See application file for complete search history.

(56) **References Cited**

U.S. PATENT DOCUMENTS

D133,220 S *	7/1942	Reiss	D6/465
3,017,969 A *	1/1962	Nielsen	52/239
3,297,374 A *	1/1967	Radek	312/108
D212,482 S *	10/1968	Lum	D6/431
D282,799 S	3/1986	Doezema		
D318,389 S	7/1991	Hawkinson		
D345,242 S *	3/1994	Bunn	D34/5
D400,361 S *	11/1998	Sobrito	D6/332
D450,486 S	11/2001	Stafford et al.		
D452,784 S	1/2002	Lewis		
D495,523 S *	9/2004	Harwanko	D6/410

D543,382 S *	5/2007	Glassenberg et al.	D6/462
D544,730 S	6/2007	Stukenberg		
D554,391 S *	11/2007	Kostigian	D6/462
D554,919 S	11/2007	Clark et al.		
D567,551 S	4/2008	Verbeek et al.		
D571,130 S	6/2008	Clark et al.		
D591,536 S	5/2009	Kumazawa		
D593,780 S	6/2009	Jeup		
D601,833 S	10/2009	Stukenberg		
D602,713 S	10/2009	Stukenberg		
D611,733 S	3/2010	Stukenberg		
D611,734 S	3/2010	Stukenberg et al.		
D611,735 S	3/2010	Stukenberg		
D640,485 S *	6/2011	Dugger	D6/462

* cited by examiner

Primary Examiner — Janice Seeger

(74) *Attorney, Agent, or Firm* — Griffiths & Seaton PLLC

(57) **CLAIM**

The ornamental design for a pair of support legs, as shown and described.

DESCRIPTION

FIG. 1 is a front, perspective view of a pair of support legs showing our new design;

FIG. 2 is a front view thereof, the rear view being identical to the front view;

FIG. 3 is a right side view thereof, the left side view being identical to the right side view;

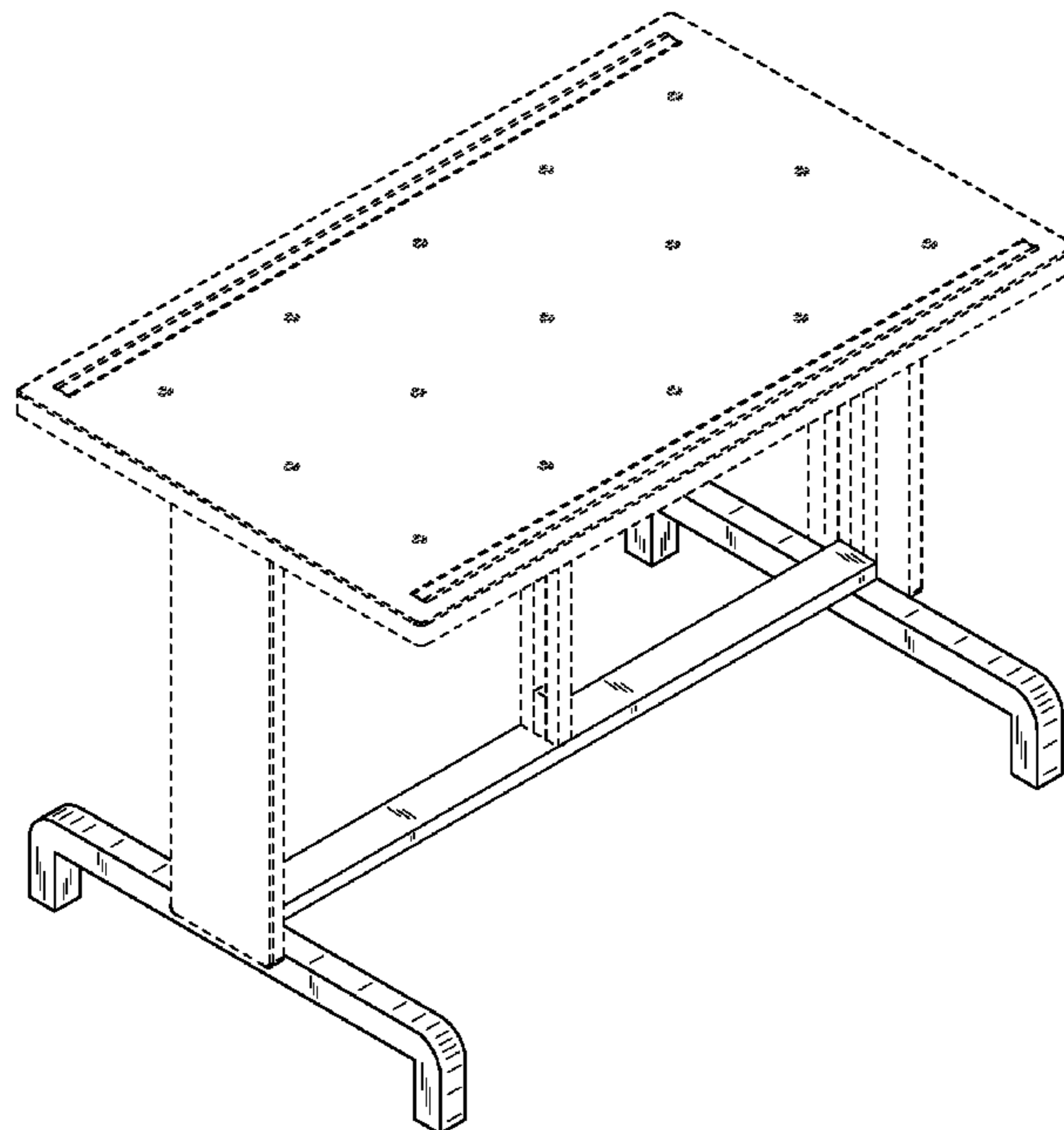
FIG. 4 is a top view thereof;

FIG. 5 is a top view thereof with broken line features removed to more clearly illustrate the claimed design; and,

FIG. 6 is a bottom view thereof.

The features shown in broken lines depict environmental subject matter only and form no part of the claimed design.

1 Claim, 6 Drawing Sheets



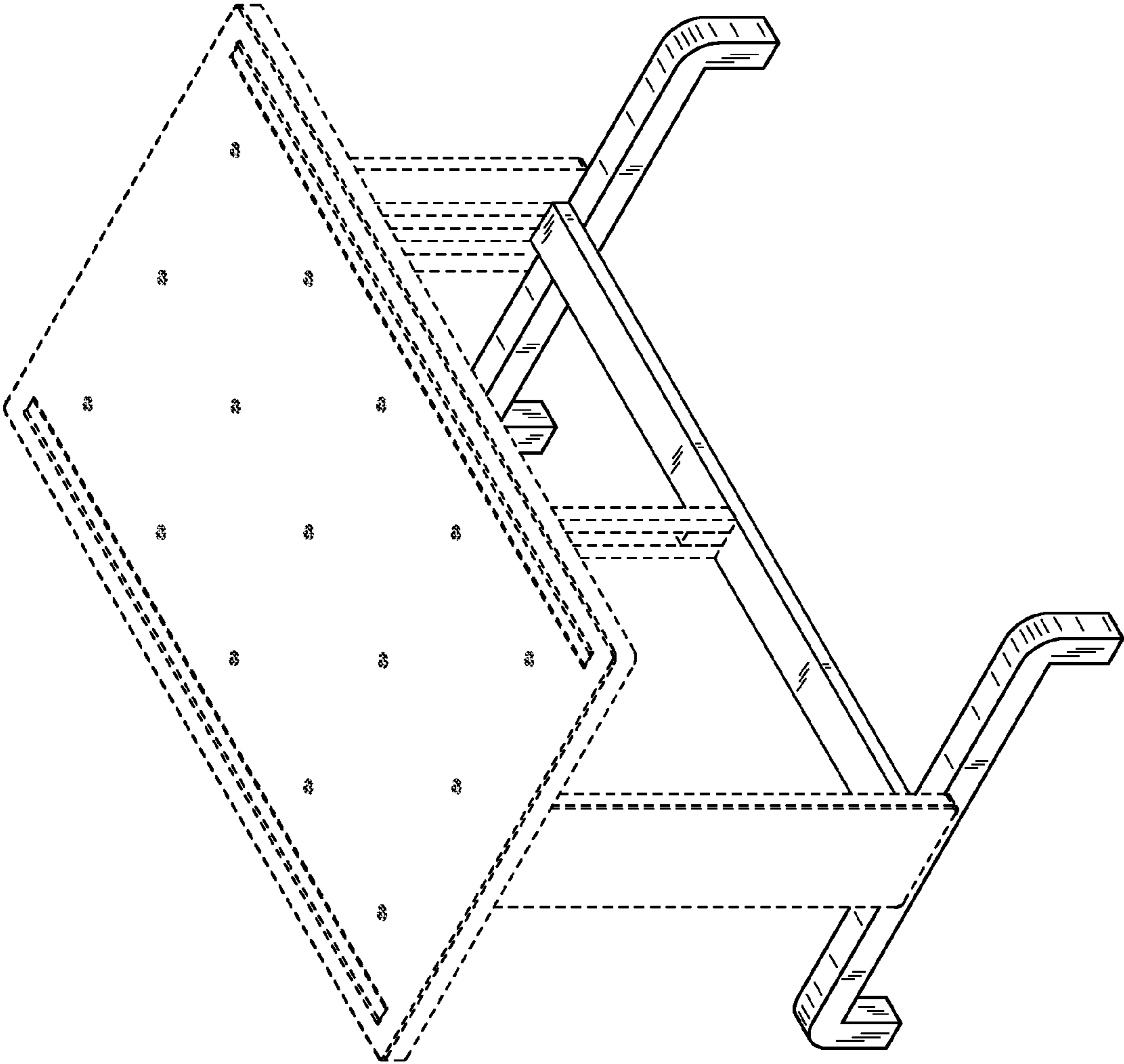


FIG. 1

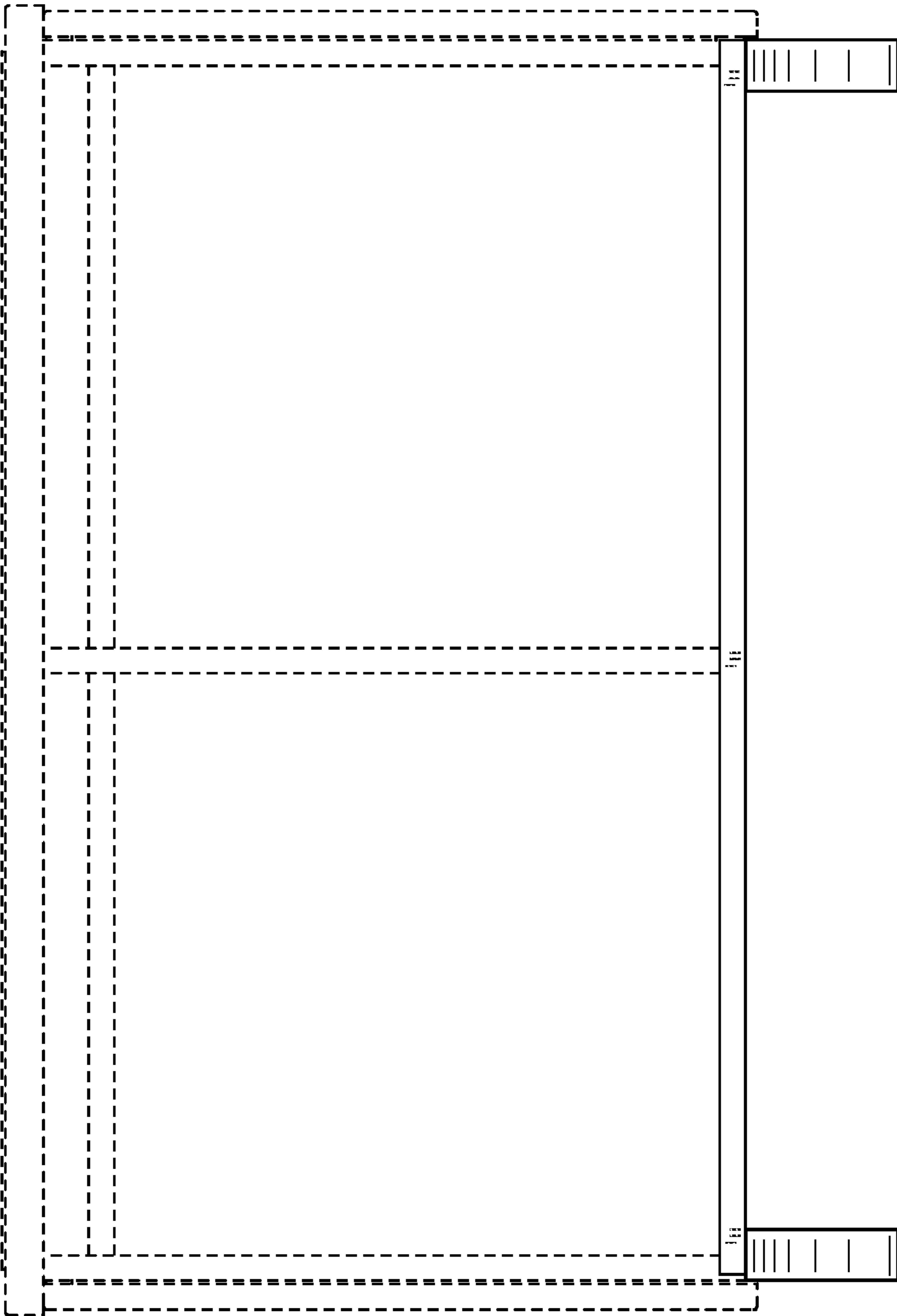


FIG. 2

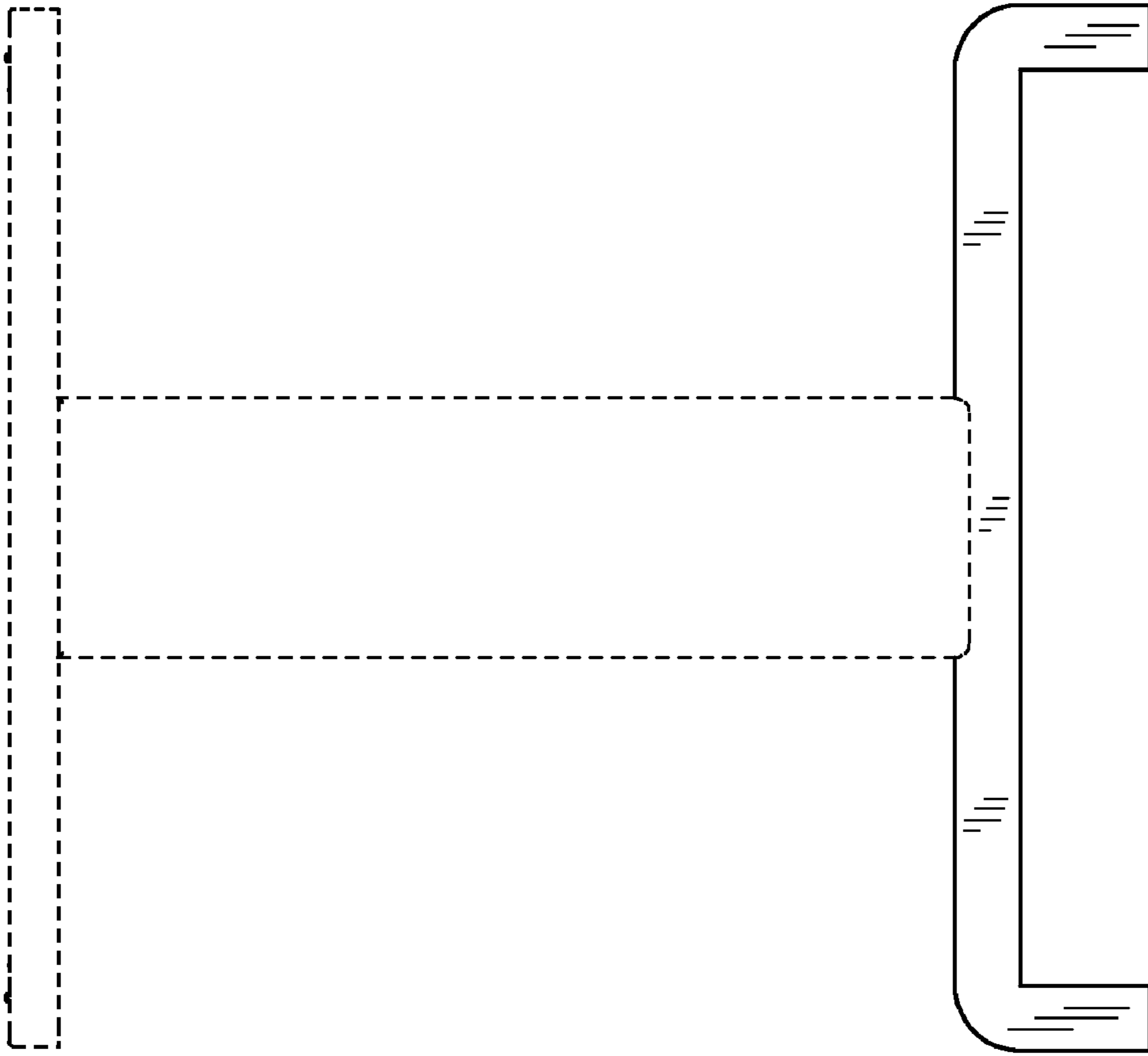


FIG. 3

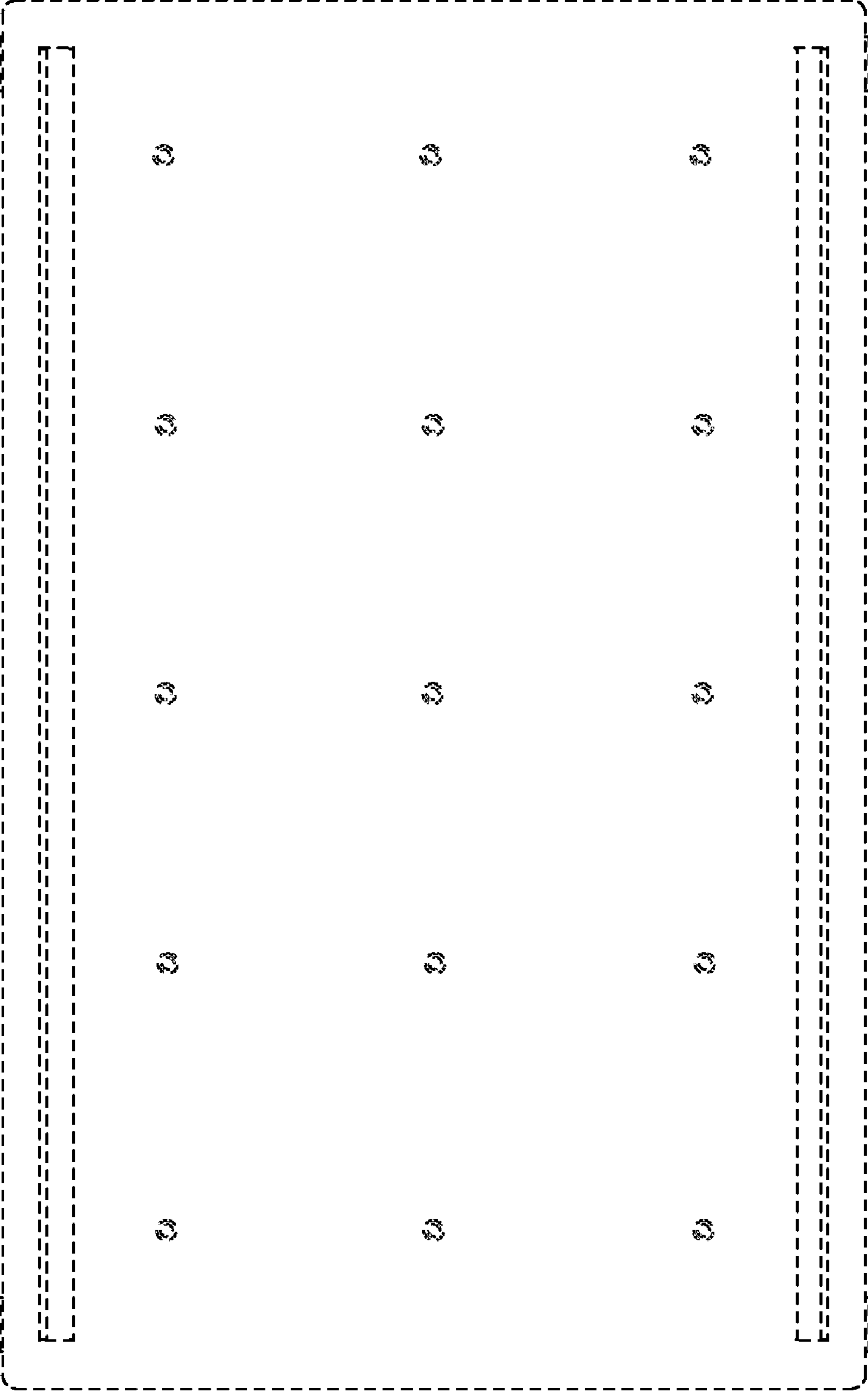


FIG. 4

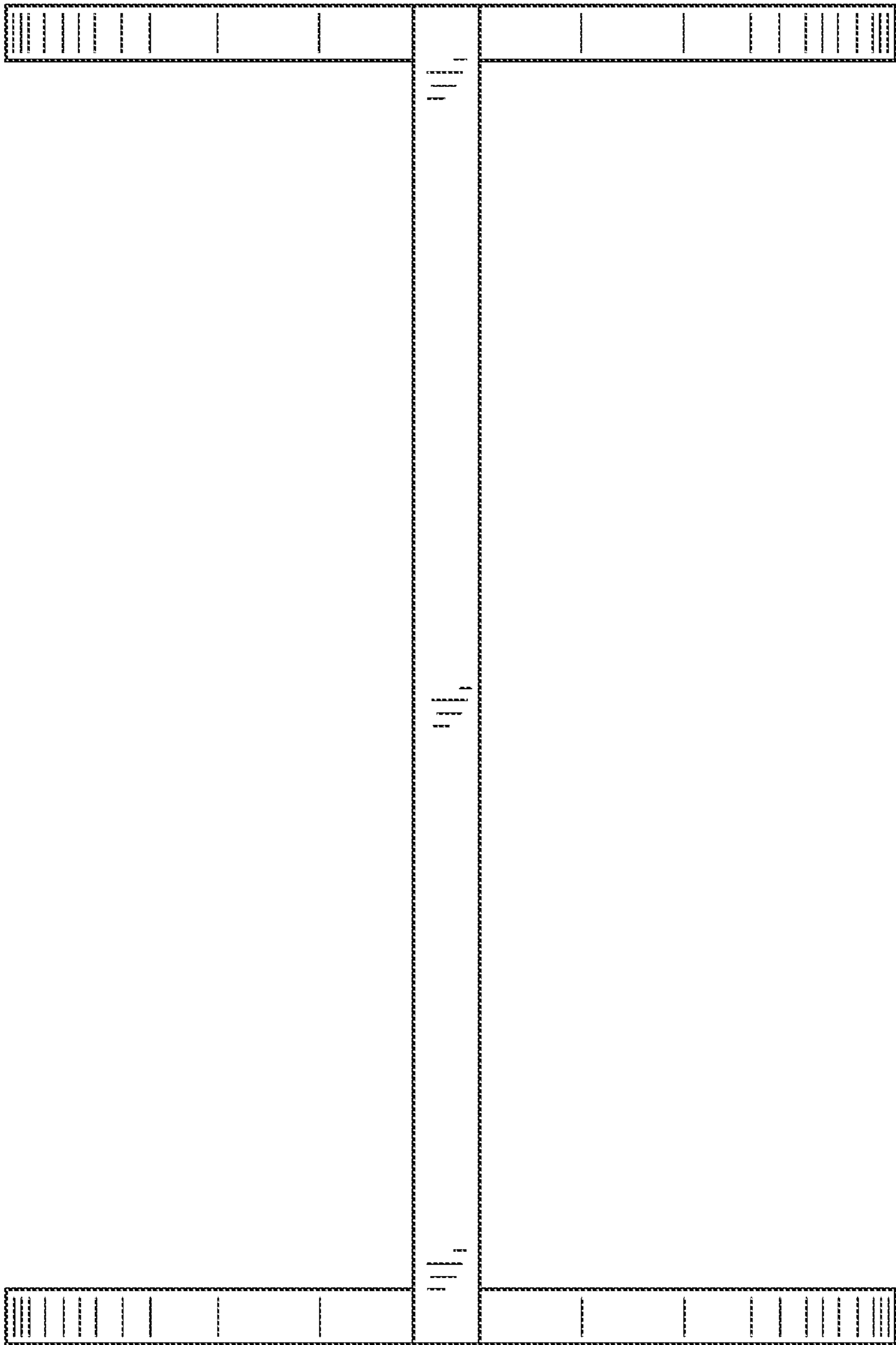


FIG. 5

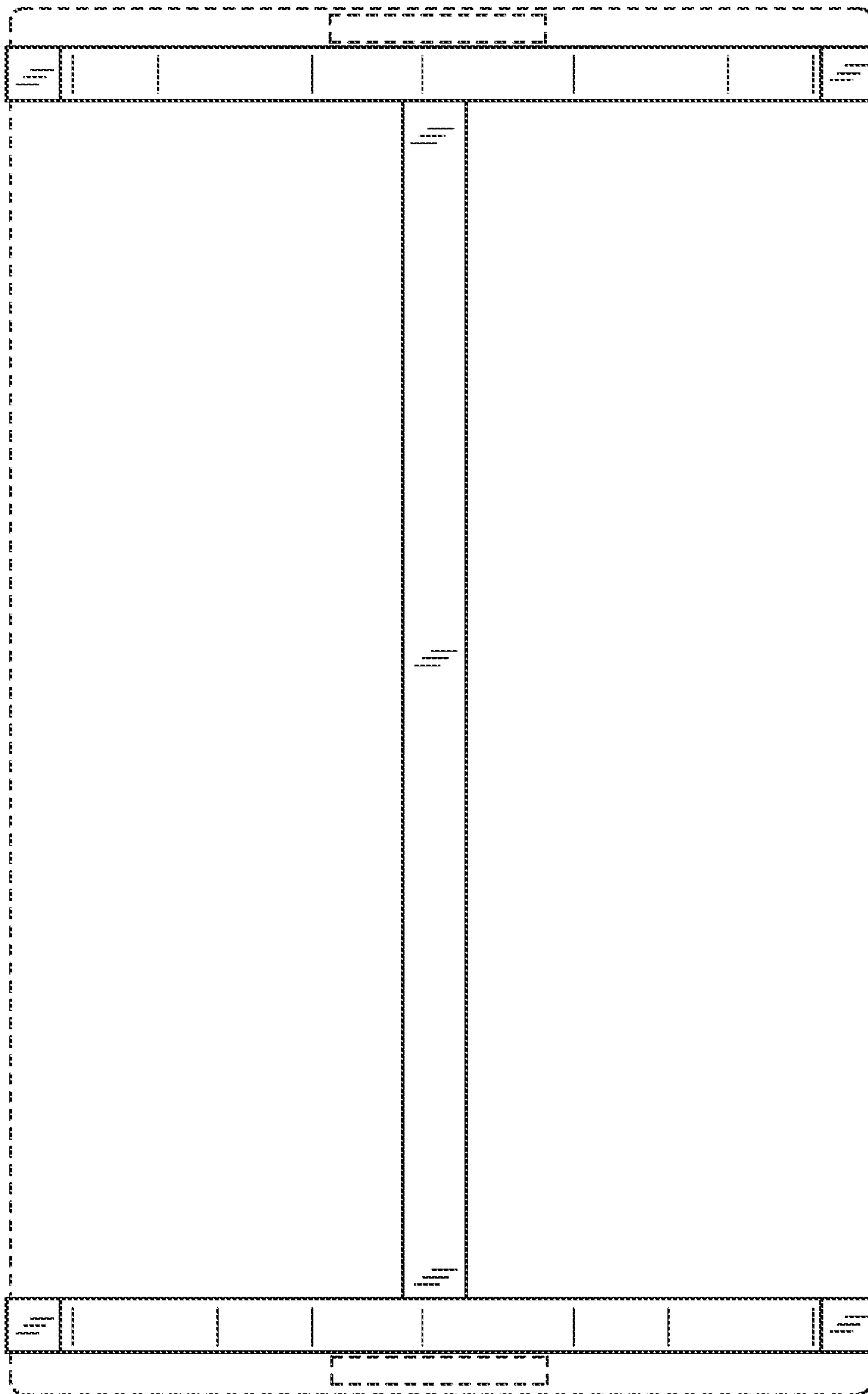


FIG. 6