



US00D668890S

(12) **United States Design Patent**  
**Andersen**

(10) **Patent No.:** **US D668,890 S**  
(45) **Date of Patent:** **\*\* Oct. 16, 2012**

- (54) **TABLE**
- (75) **Inventor:** **Per Weiss Andersen**, Randers (DK)
- (73) **Assignee:** **Innovation U.S.A., Inc.**, South San Francisco, CA (US)
- (\*\*) **Term:** **14 Years**
- (21) **Appl. No.:** **29/388,754**
- (22) **Filed:** **Apr. 1, 2011**
- (30) **Foreign Application Priority Data**  
Oct. 27, 2010 (CN) ..... 2010 3 0584771
- (51) **LOC (9) Cl.** ..... **06-03**
- (52) **U.S. Cl.** ..... **D6/487**
- (58) **Field of Classification Search** ..... D6/480-489,  
D6/495-499, 477, 479, 450-451; 108/150,  
108/152, 153.1, 156, 161; 248/188, 188.1,  
248/188.8  
See application file for complete search history.

5,435,510 A \* 7/1995 Wey ..... 248/188.1  
 D511,911 S \* 11/2005 Light et al. .... D6/480  
 D557,524 S \* 12/2007 Simpson ..... D6/487

**OTHER PUBLICATIONS**

The New Bohemian, Guangzhou Fair Fall 2010 catalog, cover and pp. 4, 7 and 20, Innovation, China.

\* cited by examiner

*Primary Examiner* — Janice Seeger

(74) *Attorney, Agent, or Firm* — Miles & Stockbridge P.C.

(57) **CLAIM**

The ornamental design for a table, as shown and described.

**DESCRIPTION**

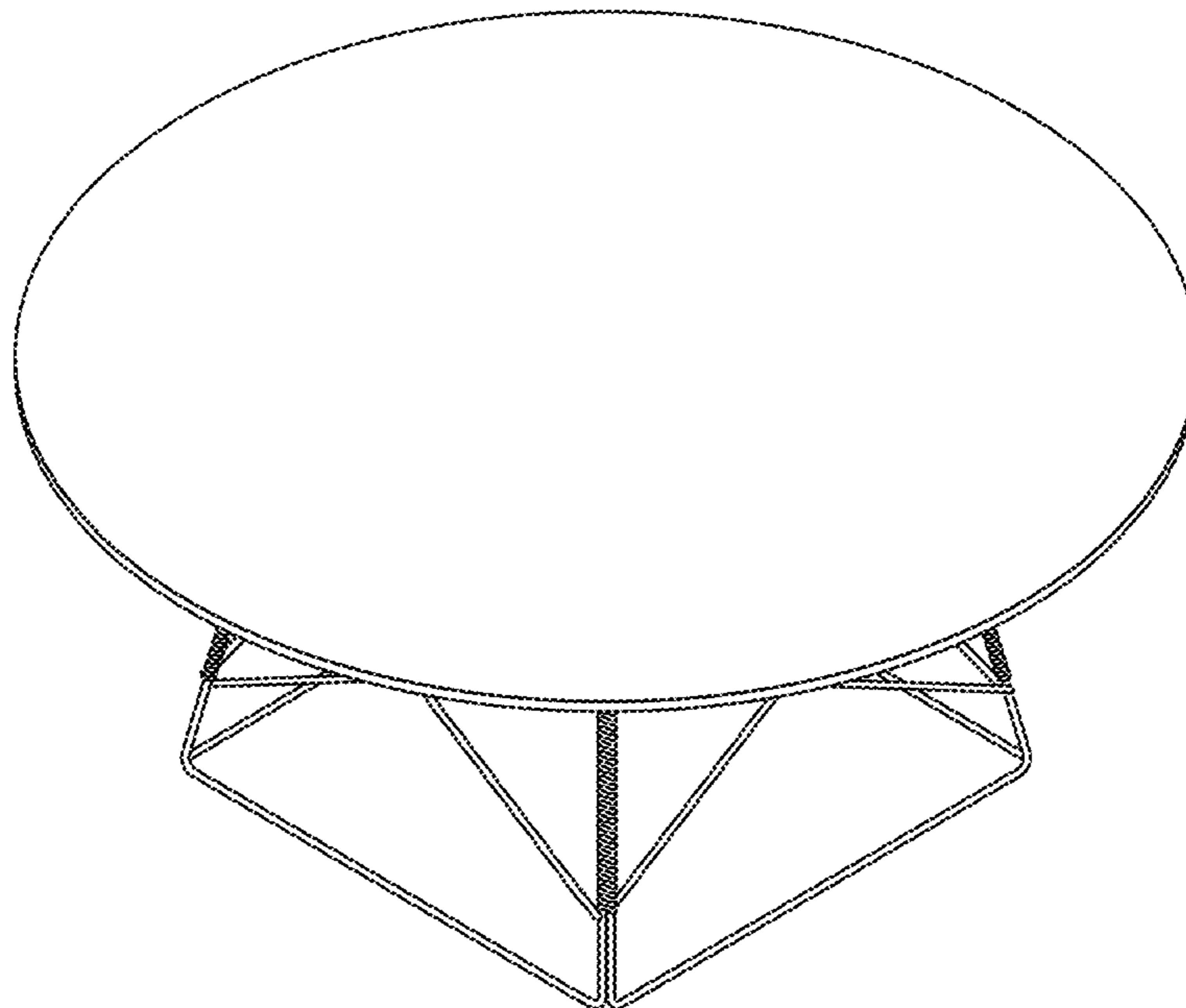
FIG. 1 is a front view of the table showing the new design;  
 FIG. 2 is a back view thereof;  
 FIG. 3 is a left side view thereof;  
 FIG. 4 is a right side view thereof;  
 FIG. 5 is a top plan view thereof;  
 FIG. 6 is a bottom plan view thereof;  
 FIG. 7 is a left perspective view thereof; and,  
 FIG. 8 is a right perspective view thereof.  
 The dashed lines shown in the drawings are for illustrative purposes only and form no part of the claimed design.

**1 Claim, 4 Drawing Sheets**

(56) **References Cited**

**U.S. PATENT DOCUMENTS**

1,185,568 A \* 5/1916 Zeunert ..... 108/115  
 D169,868 S \* 6/1953 Schwartz ..... D6/484



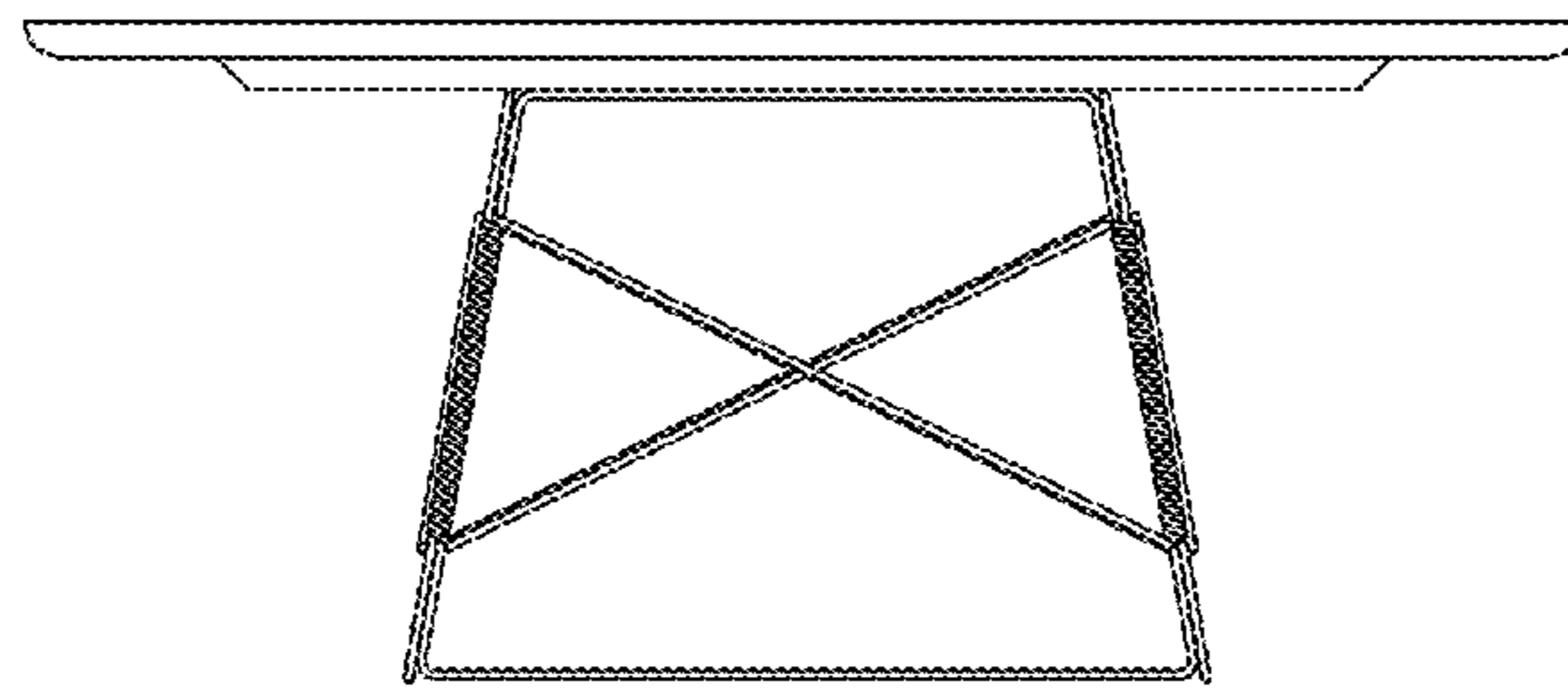


FIG. 1

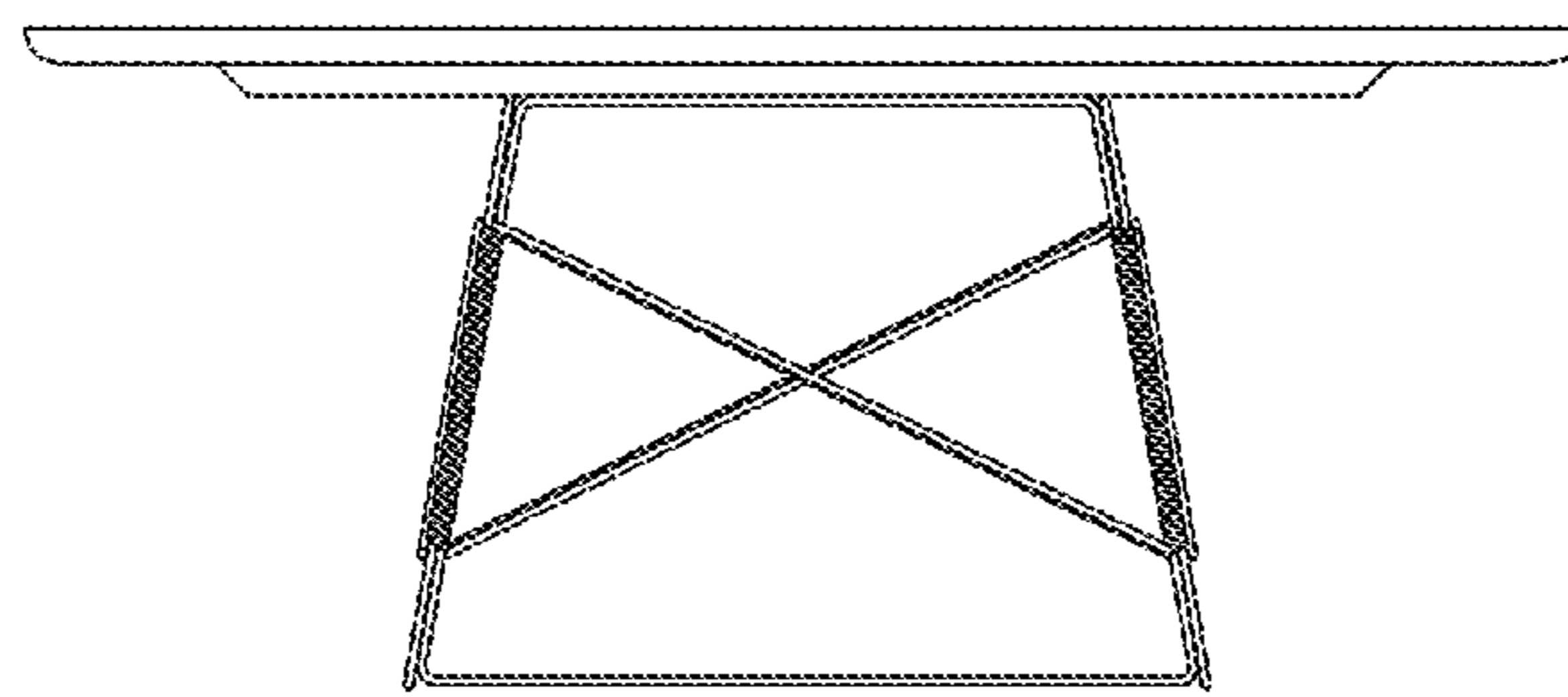


FIG. 2

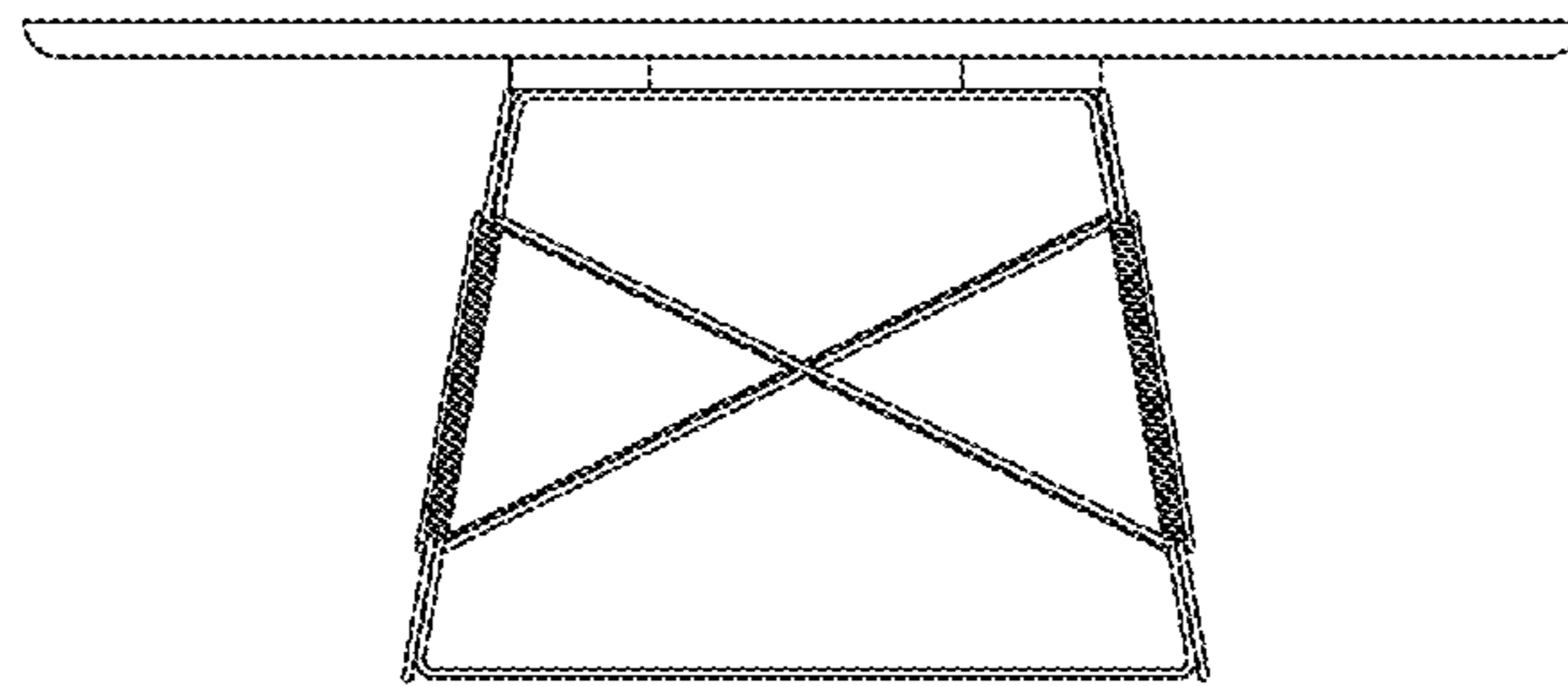


FIG. 3

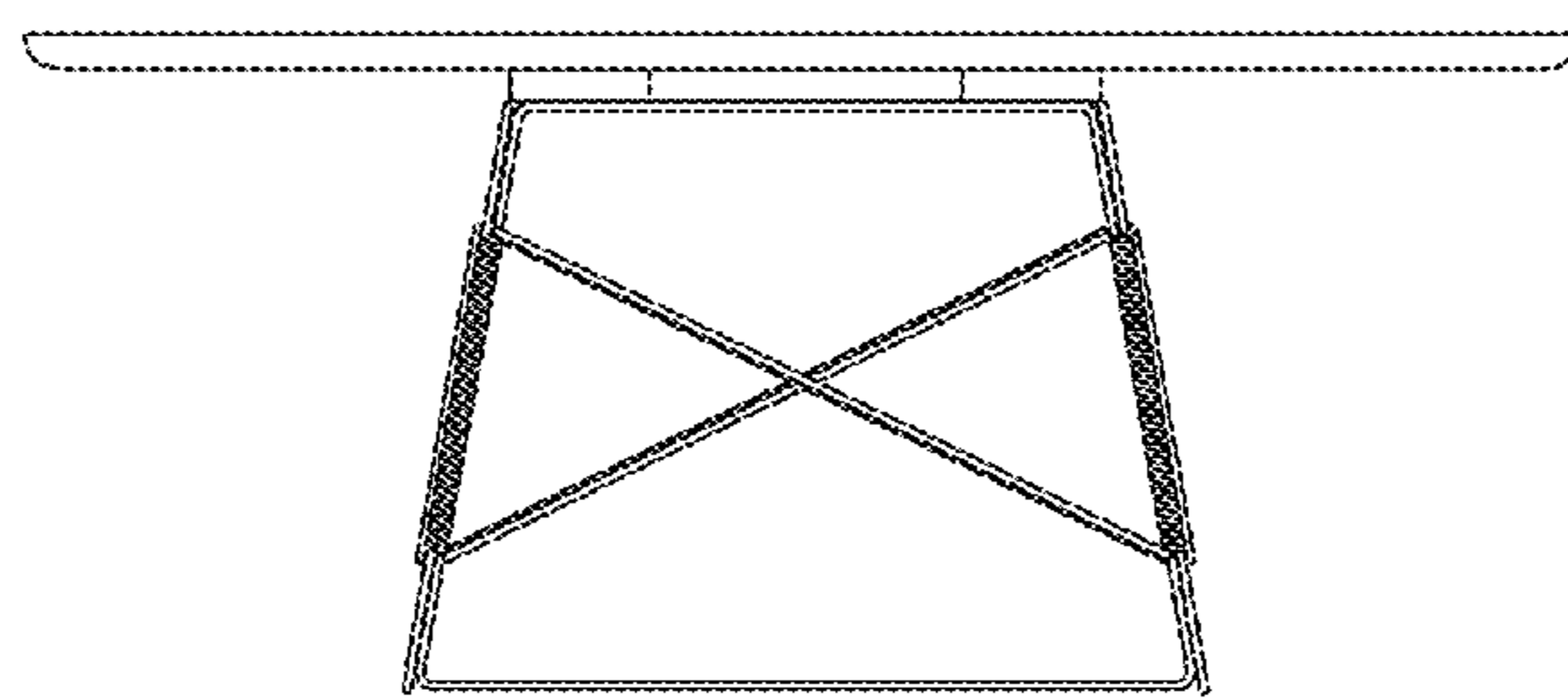


FIG. 4

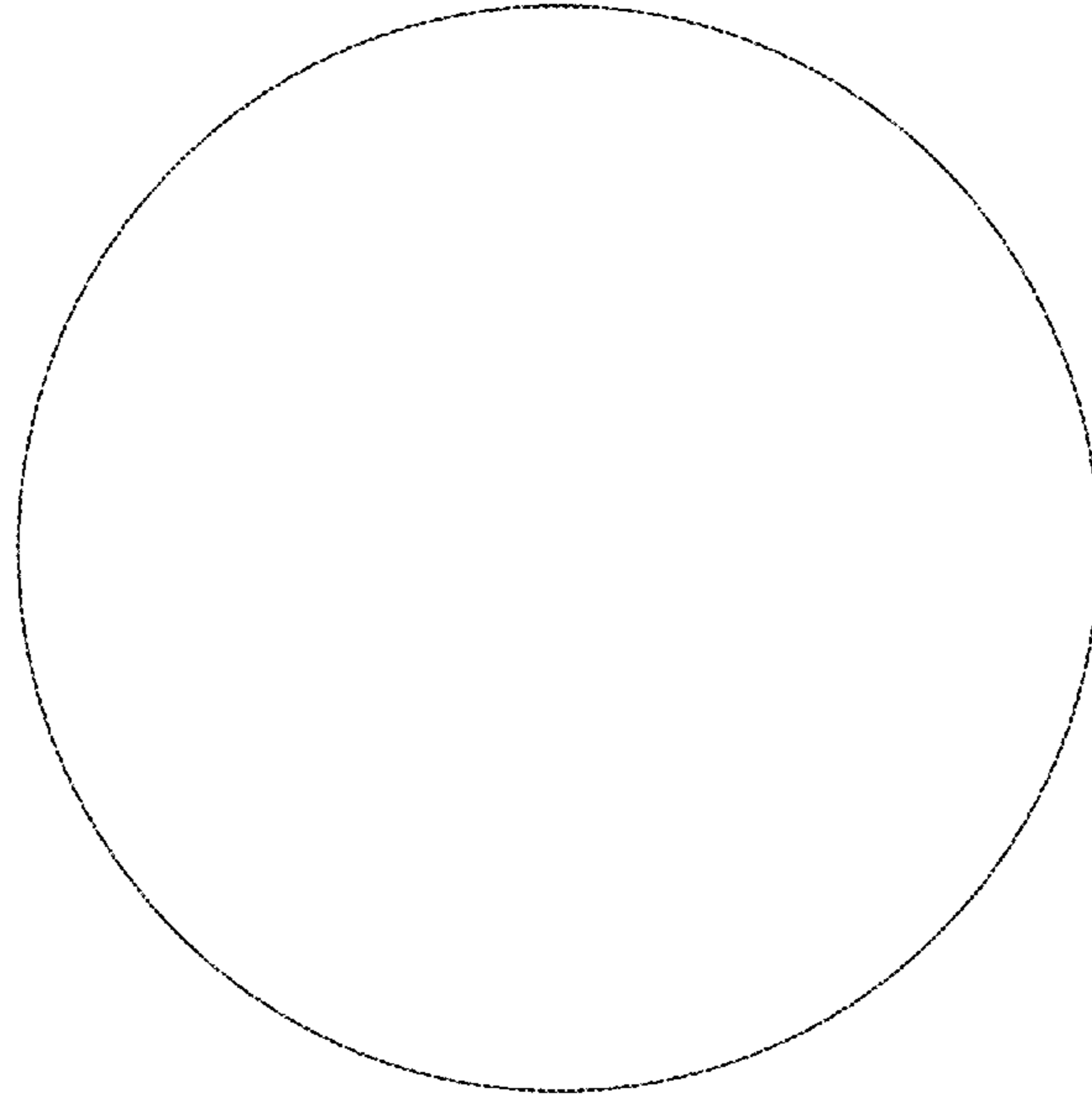


FIG. 5

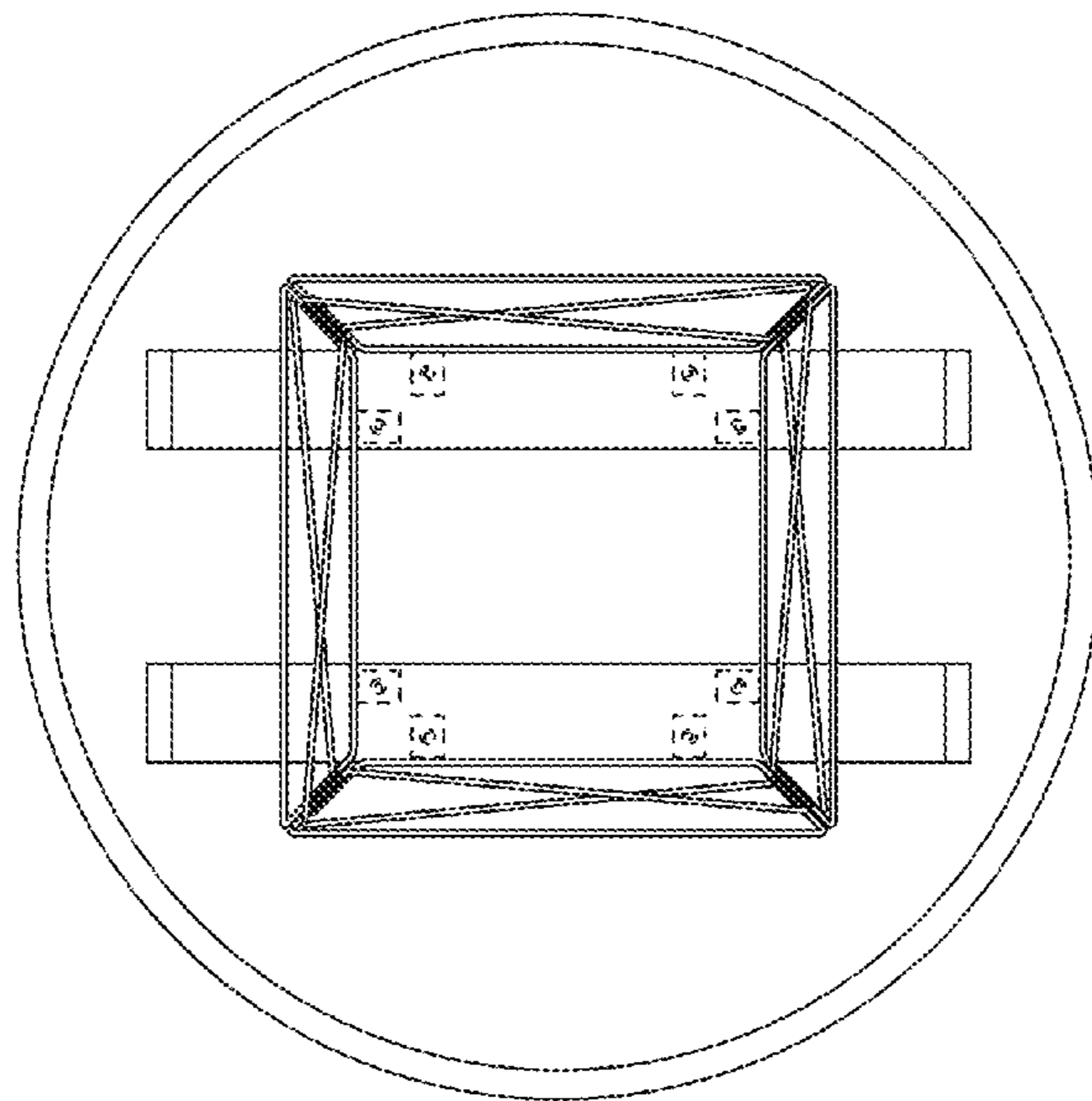


FIG. 6

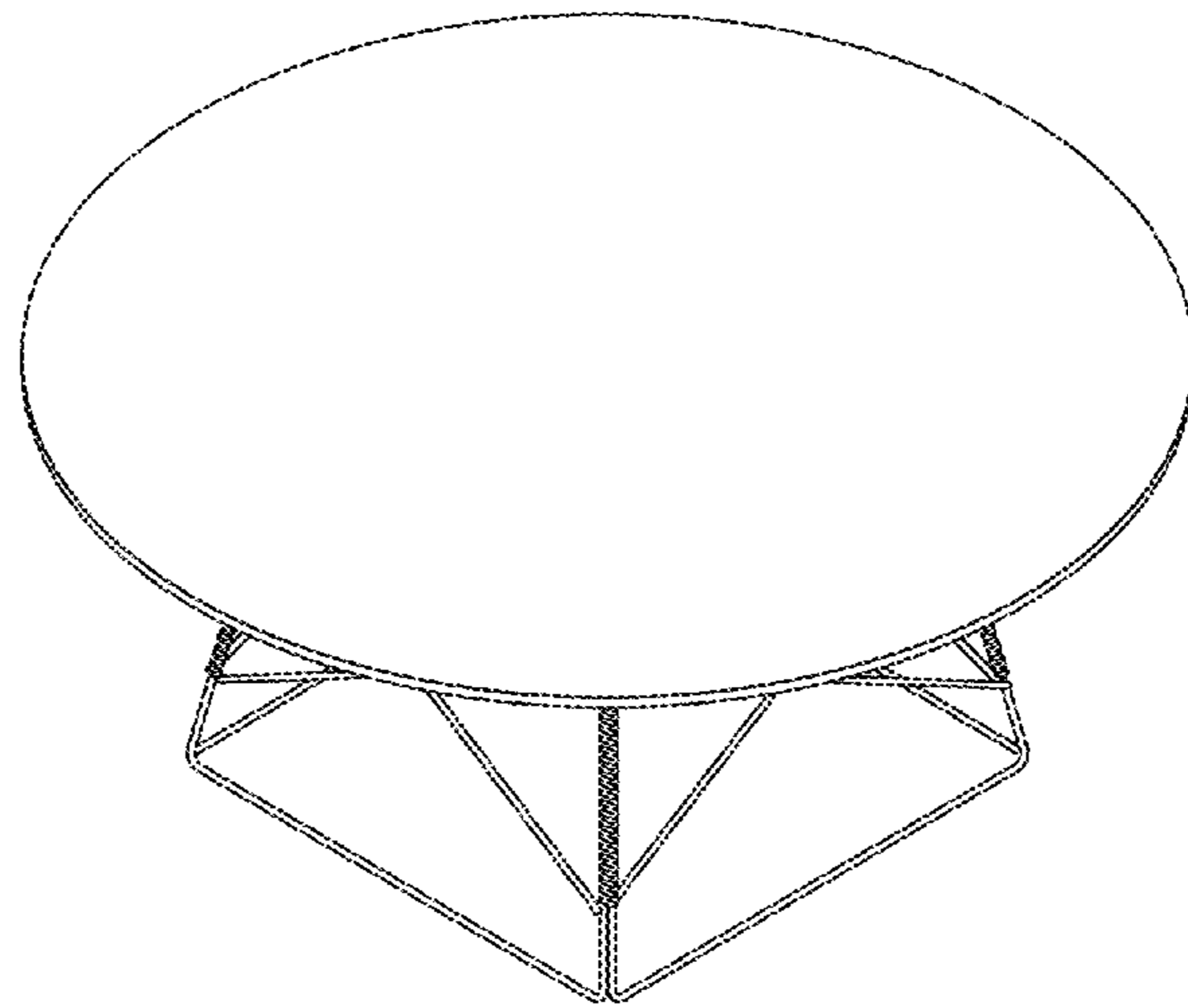


FIG. 7

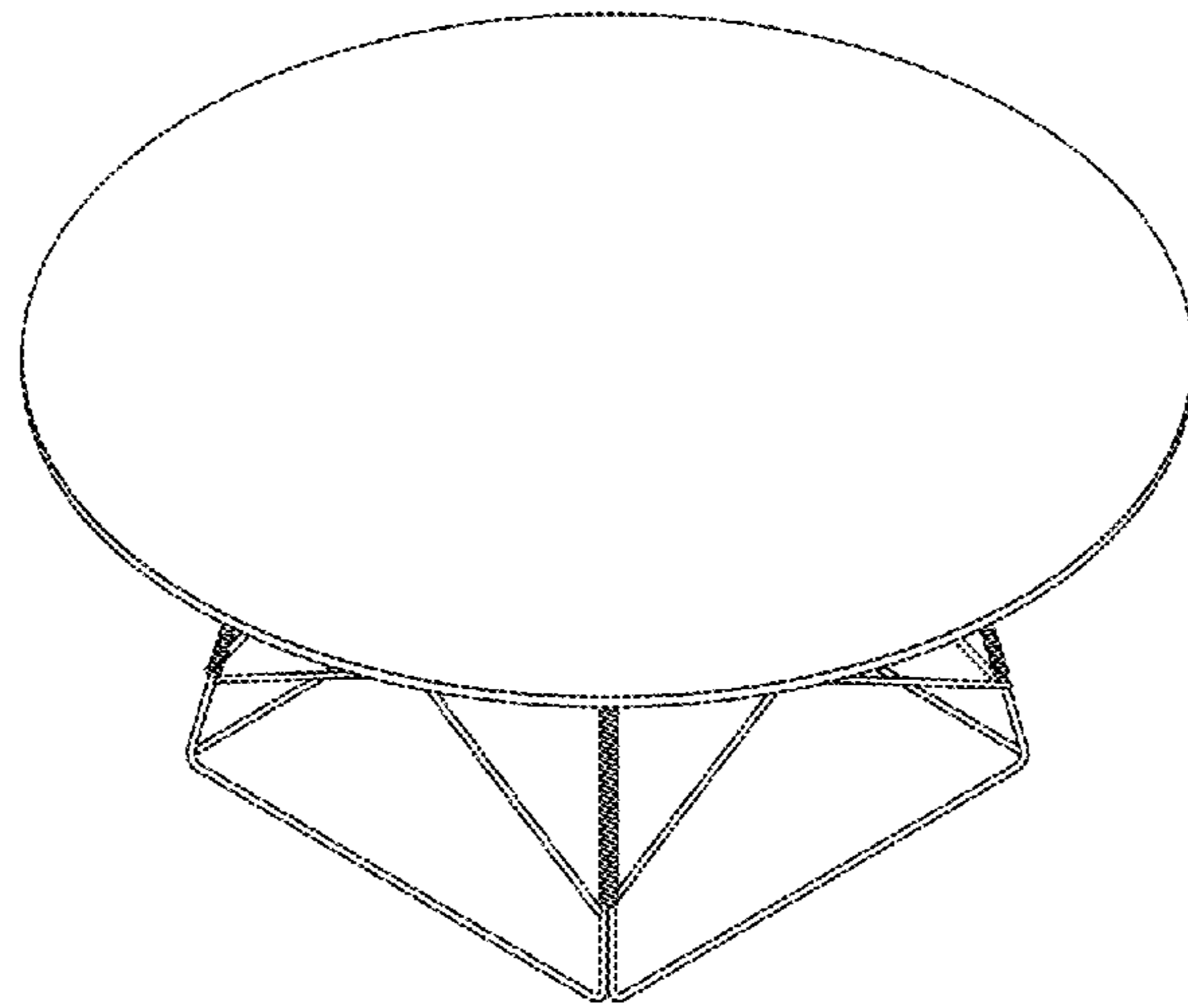


FIG. 8