

US00D668889S

(12) **United States Design Patent**  
**Theisen**

(10) **Patent No.:** **US D668,889 S**  
(45) **Date of Patent:** **\*\* Oct. 16, 2012**

- (54) **DISPLAY FIXTURE**
- (75) Inventor: **Jennifer A. Theisen**, Crystal, MN (US)
- (73) Assignee: **Target Brands, Inc.**, Minneapolis, MN (US)
- (\*\*) Term: **14 Years**
- (21) Appl. No.: **29/411,032**
- (22) Filed: **Jan. 16, 2012**

**Related U.S. Application Data**

- (63) Continuation of application No. 12/355,477, filed on Jan. 16, 2009.
- (51) **LOC (9) Cl.** ..... **06-04**
- (52) **U.S. Cl.** ..... **D6/462**
- (58) **Field of Classification Search** ..... D6/396,  
D6/409, 410, 449, 450, 453-469, 473; 211/1,  
211/13.1, 37, 41.9, 45, 47, 48, 49.1, 50, 55,  
211/59.2, 59.4, 60.1, 72, 85.17, 113, 119,  
211/153, 181.1; 108/29; 434/74  
See application file for complete search history.

D205,816 S	9/1966	Kleinman	
3,385,451 A	5/1968	Anderson	
3,394,973 A	7/1968	Scott	
3,528,558 A *	9/1970	Williams	211/59.2
3,534,863 A *	10/1970	Howard	211/47
3,661,269 A	5/1972	Scherzer	
3,889,813 A	6/1975	Wright	
3,908,830 A	9/1975	Skrzelowski	
D240,786 S	8/1976	Adams, Jr.	
3,997,060 A	12/1976	Kunin	
4,034,864 A	7/1977	Tyson et al.	
D249,615 S *	9/1978	Frisbey	D6/463
D253,080 S *	10/1979	Corrigan	D6/468
4,197,950 A	4/1980	Ovitz, III	
4,256,043 A	3/1981	Ovitz, III	
4,299,327 A	11/1981	Thauer	
4,342,268 A	8/1982	Grava	
D272,399 S	1/1984	Kates	
4,498,592 A	2/1985	Colucci	
D278,954 S	5/1985	Bolyn	
4,604,061 A *	8/1986	Willcocks et al.	434/74
4,678,086 A	7/1987	Nervig et al.	
D306,942 S *	4/1990	Patke	D6/463
5,029,715 A	7/1991	Strada	
5,031,781 A	7/1991	Price et al.	

(Continued)

*Primary Examiner* — Mary Ann Calabrese  
(74) *Attorney, Agent, or Firm* — Leanne Taveggia Farrell;  
Westman Champlin & Kelly, P.A.

(56) **References Cited**

**U.S. PATENT DOCUMENTS**

2,140,116 A	12/1938	Rubenstein et al.	
2,286,831 A	6/1942	Ressinger	
D162,397 S *	3/1951	Fink	D6/463
D167,820 S	9/1952	Zel et al.	
2,742,161 A	4/1956	Nuttall	
D180,177 S	4/1957	Crisafi	
2,793,760 A	5/1957	Zel et al.	
D181,412 S	11/1957	Fox	
2,879,899 A	3/1959	Shenkin	
2,884,136 A	4/1959	Leighton	
3,138,261 A	6/1964	Witteborg	
3,176,848 A	4/1965	Stefan	
3,190,242 A	6/1965	Shelly	
3,227,503 A	1/1966	Fletcher et al.	

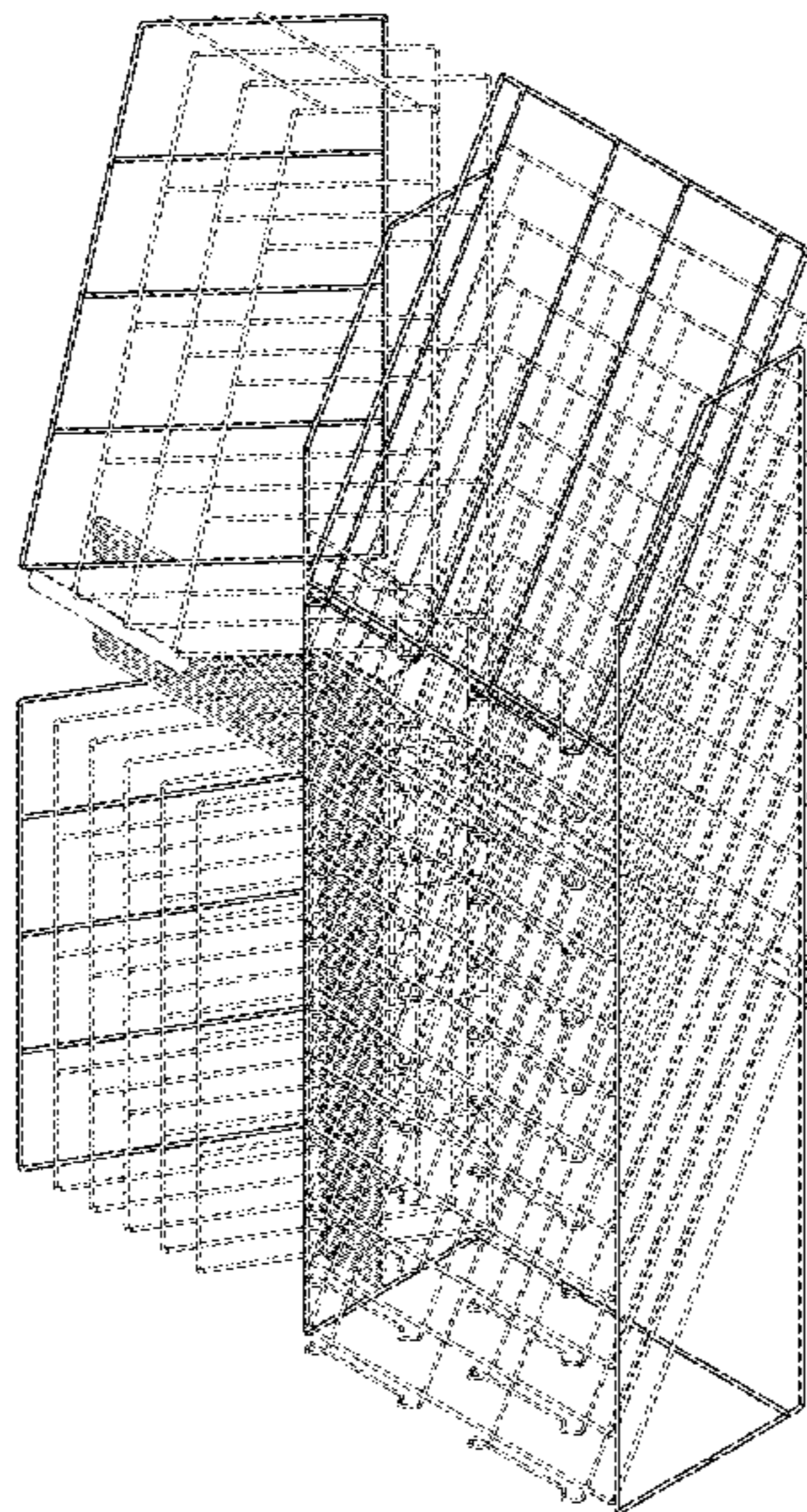
(57) **CLAIM**

The ornamental design for a display fixture, as shown and described.

**DESCRIPTION**

FIG. 1 is a right side perspective view of a display fixture;  
FIG. 2 is a front view thereof;  
FIG. 3 is a top view thereof; and,  
FIG. 4 is a right side view thereof.  
The broken lines form no part of the claimed design.

**1 Claim, 2 Drawing Sheets**



# US D668,889 S

Page 2

---

U.S. PATENT DOCUMENTS			
5,111,943	A	5/1992	Ramey
5,292,010	A	3/1994	Pickles et al.
5,335,797	A	8/1994	Myers
5,346,076	A	9/1994	Hart
5,394,995	A	3/1995	Lusk et al.
D367,372	S *	2/1996	Eng et al. .... D6/396
D368,181	S	3/1996	Dabrowski
D372,816	S	8/1996	Rose et al.
D392,820	S *	3/1998	Shanahan et al. .... D6/468
5,836,459	A	11/1998	Nezwek et al.
6,006,926	A	12/1999	O'Reilly et al.
6,170,674	B1 *	1/2001	Caterinacci ..... 211/41.1
D451,024	S	11/2001	Glauth et al.
6,484,890	B1	11/2002	Miller
D476,170	S	6/2003	Johnson
6,659,294	B1	12/2003	Simard
6,935,514	B2	8/2005	Lackey et al.
D524,573	S	7/2006	Robinson et al.
D622,977	S *	9/2010	Wade et al. .... D6/449
2002/0008074	A1 *	1/2002	Spencer ..... 211/49.1
2006/0144805	A1 *	7/2006	Wang ..... 211/37
2010/0181267	A1	7/2010	Theisen
2011/0204007	A1 *	8/2011	Golden et al. .... 211/41.1

\* cited by examiner



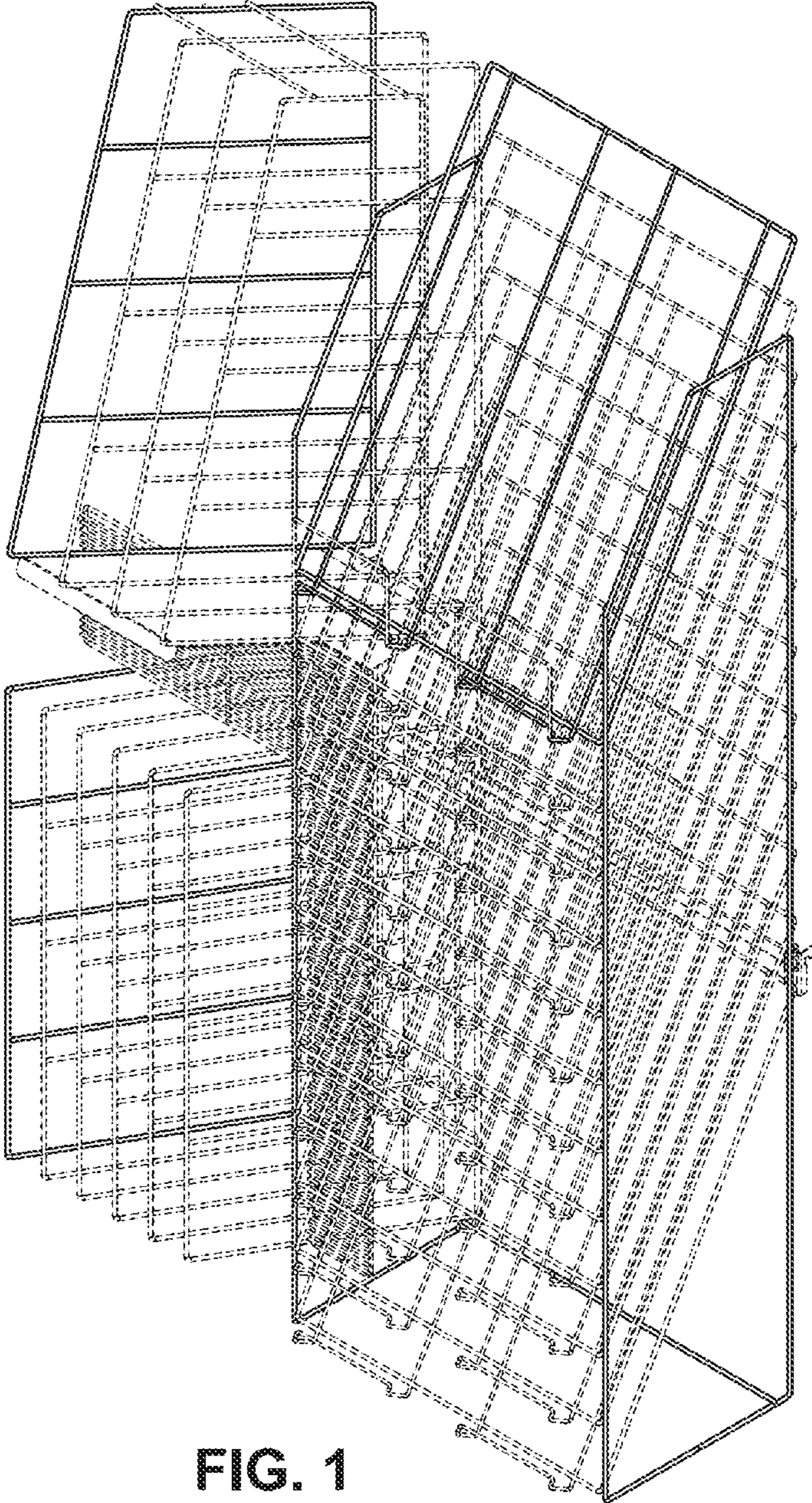


FIG. 1



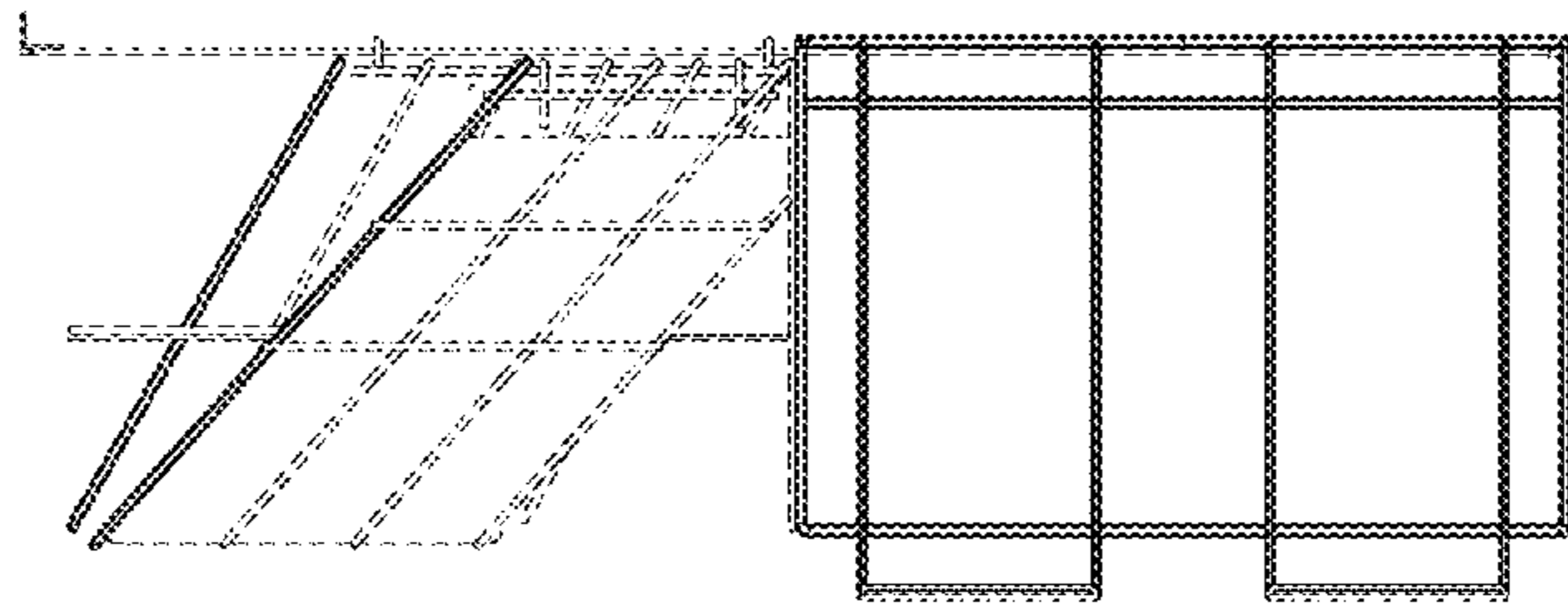


FIG. 3

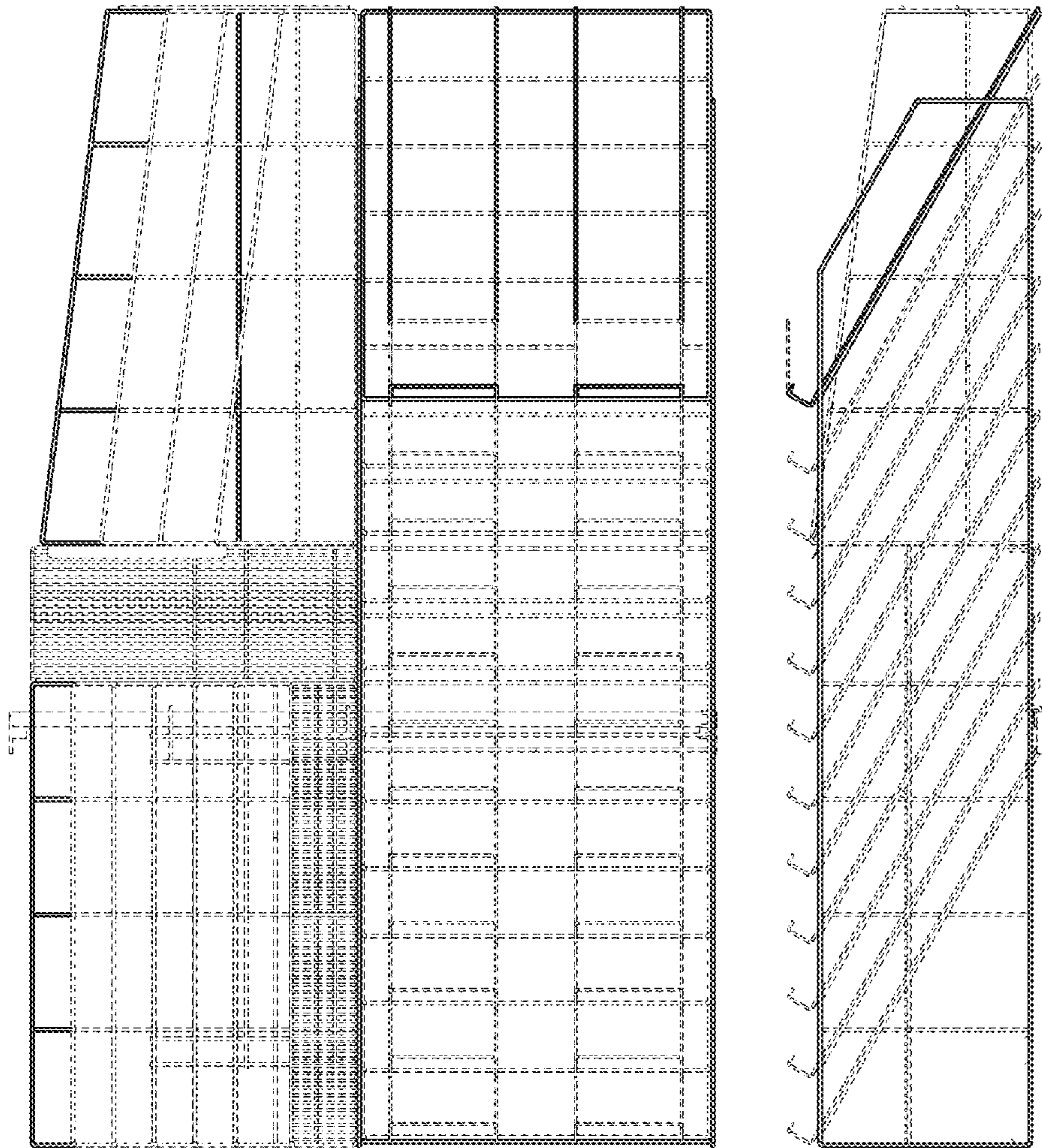


FIG. 2

FIG. 4