



US00D668886S

(12) **United States Design Patent**
Mafi

(10) **Patent No.:** **US D668,886 S**

(45) **Date of Patent:** **** Oct. 16, 2012**

(54) **OUTDOOR TABLE**

(76) Inventor: **Masoud Mafi**, Toronto (CA)

(**) Term: **14 Years**

(21) Appl. No.: **29/396,307**

(22) Filed: **Jun. 28, 2011**

(51) **LOC (9) Cl.** **06-04**

(52) **U.S. Cl.** **D6/436**

(58) **Field of Classification Search** D6/432,
D6/436-439, 441, 442, 444, 445, 446, 447,
D6/448, 477-479, 480; 312/117, 129, 140.4,
312/236, 249.8, 277, 204, 237; 280/47.34,
280/79.11; D34/12, 17, 19-21; D24/185
See application file for complete search history.

(56) **References Cited**

U.S. PATENT DOCUMENTS

D390,381 S *	2/1998	Dormon et al.	D6/480
D463,923 S *	10/2002	Wistehuff, Sr.	D6/480
D568,070 S *	5/2008	Cartwright	D6/478
D591,021 S *	4/2009	Peacock	D34/17
D620,120 S *	7/2010	Lambalot	D24/185

D639,579 S *	6/2011	Sexton	D6/436
D656,338 S *	3/2012	Combs et al.	D6/436
D657,160 S *	4/2012	Combs et al.	D6/436
D657,162 S *	4/2012	Combs et al.	D6/436
D657,163 S *	4/2012	Combs et al.	D6/436

* cited by examiner

Primary Examiner — Mimosa De

(74) *Attorney, Agent, or Firm* — Gerald A. Gowan; Gowan Intellectual Property

(57) **CLAIM**

The ornamental design for an outdoor table, as shown and described.

DESCRIPTION

FIG. 1 is a perspective view of an outdoor table, according to the present application;
FIG. 2 is a front view, thereof;
FIG. 3 is a top view thereof;
FIG. 4 is a back view thereof;
FIG. 5 is a bottom view thereof;
FIG. 6 is a left side view thereof; and,
FIG. 7 is a right side view thereof.

1 Claim, 7 Drawing Sheets

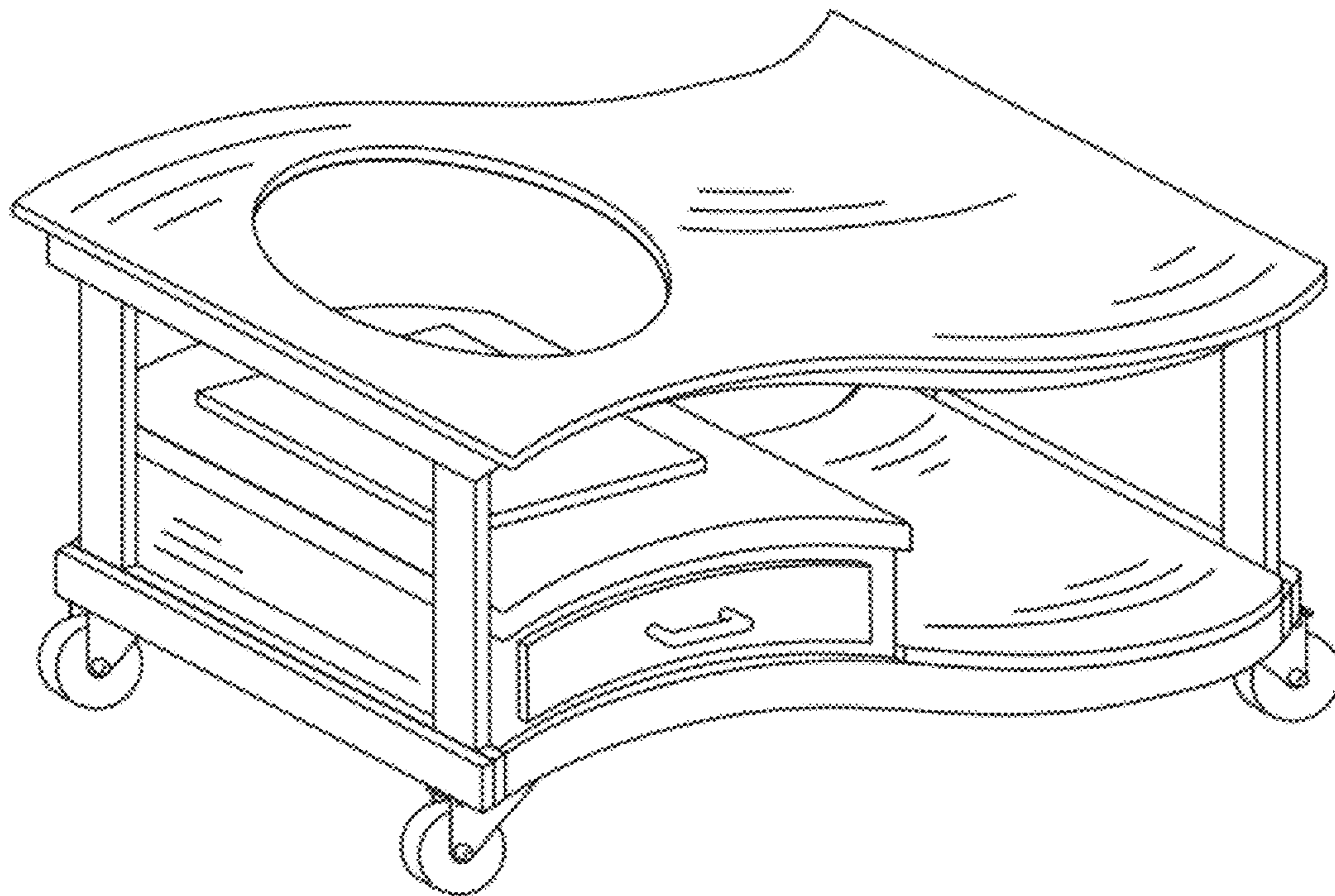


Fig. #1

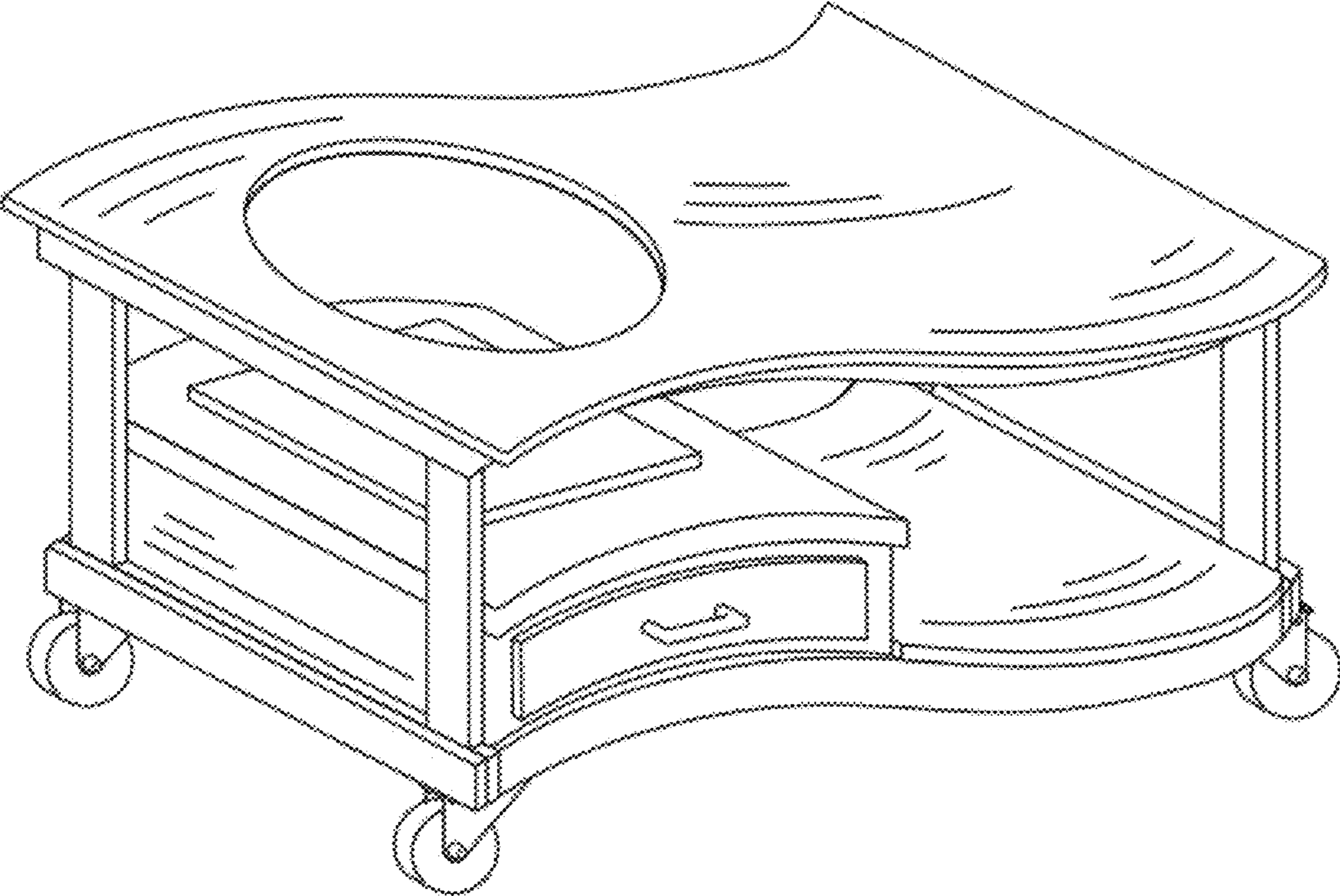


Fig. #2

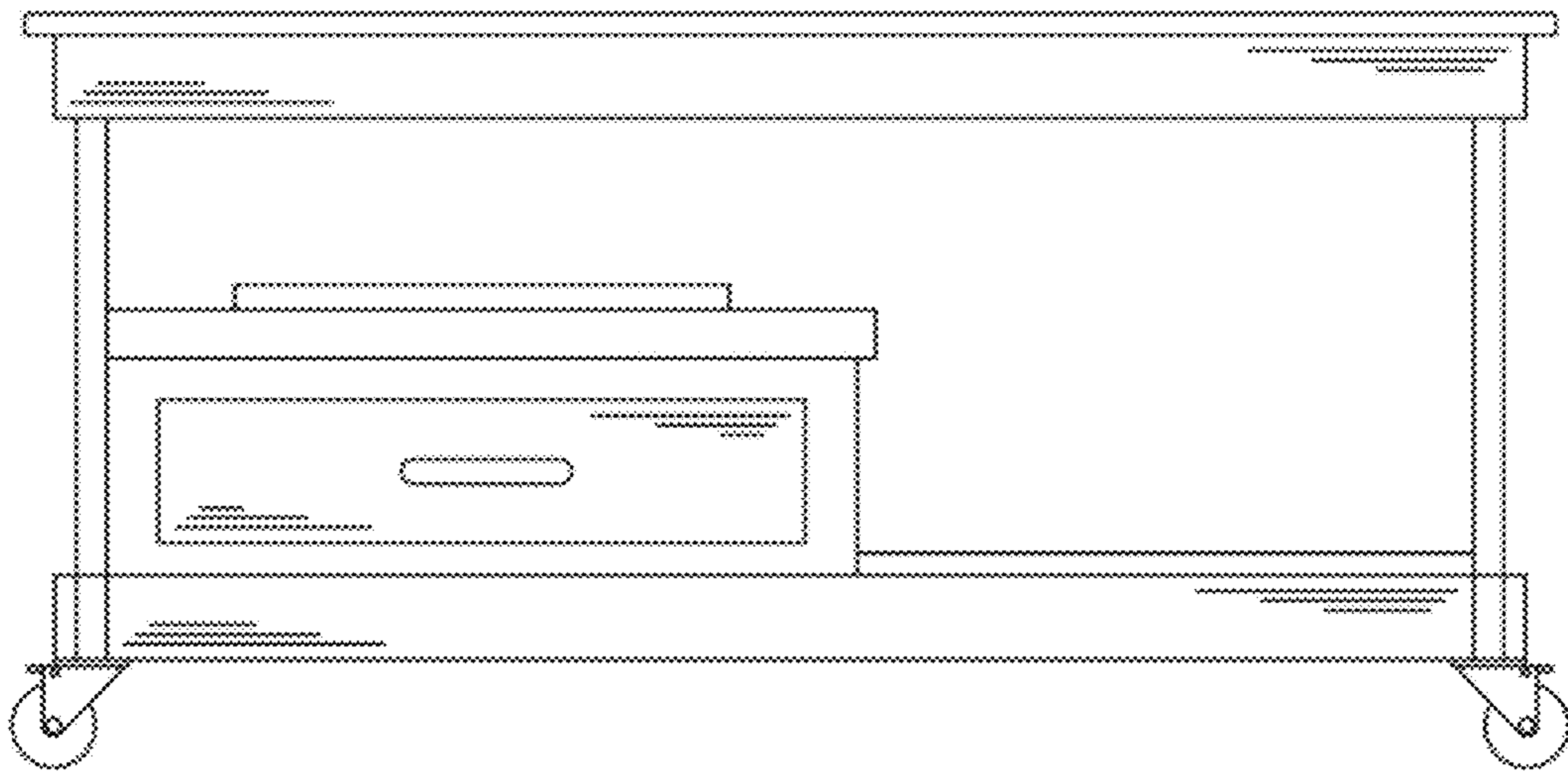


Fig. #3

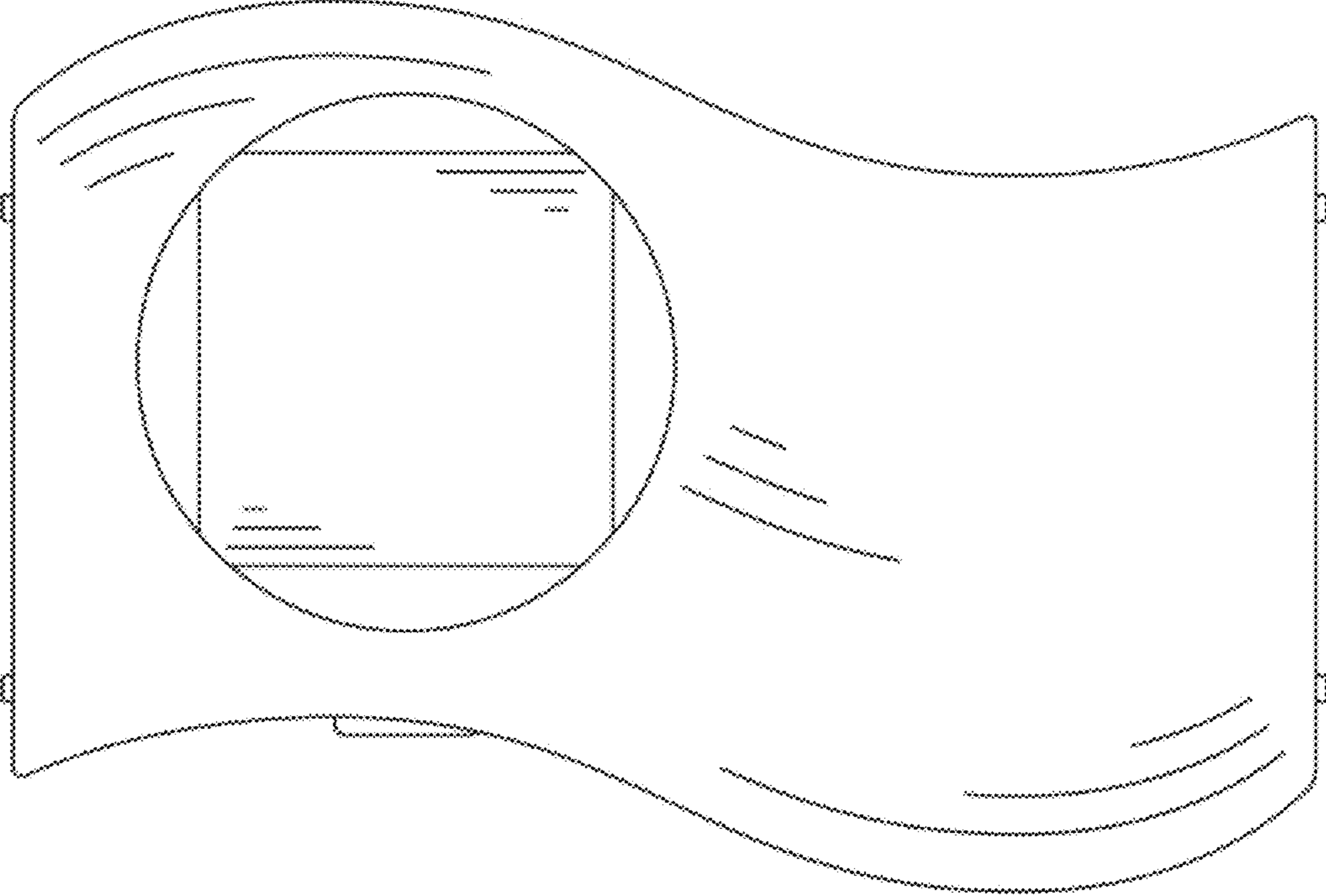


Fig. #4

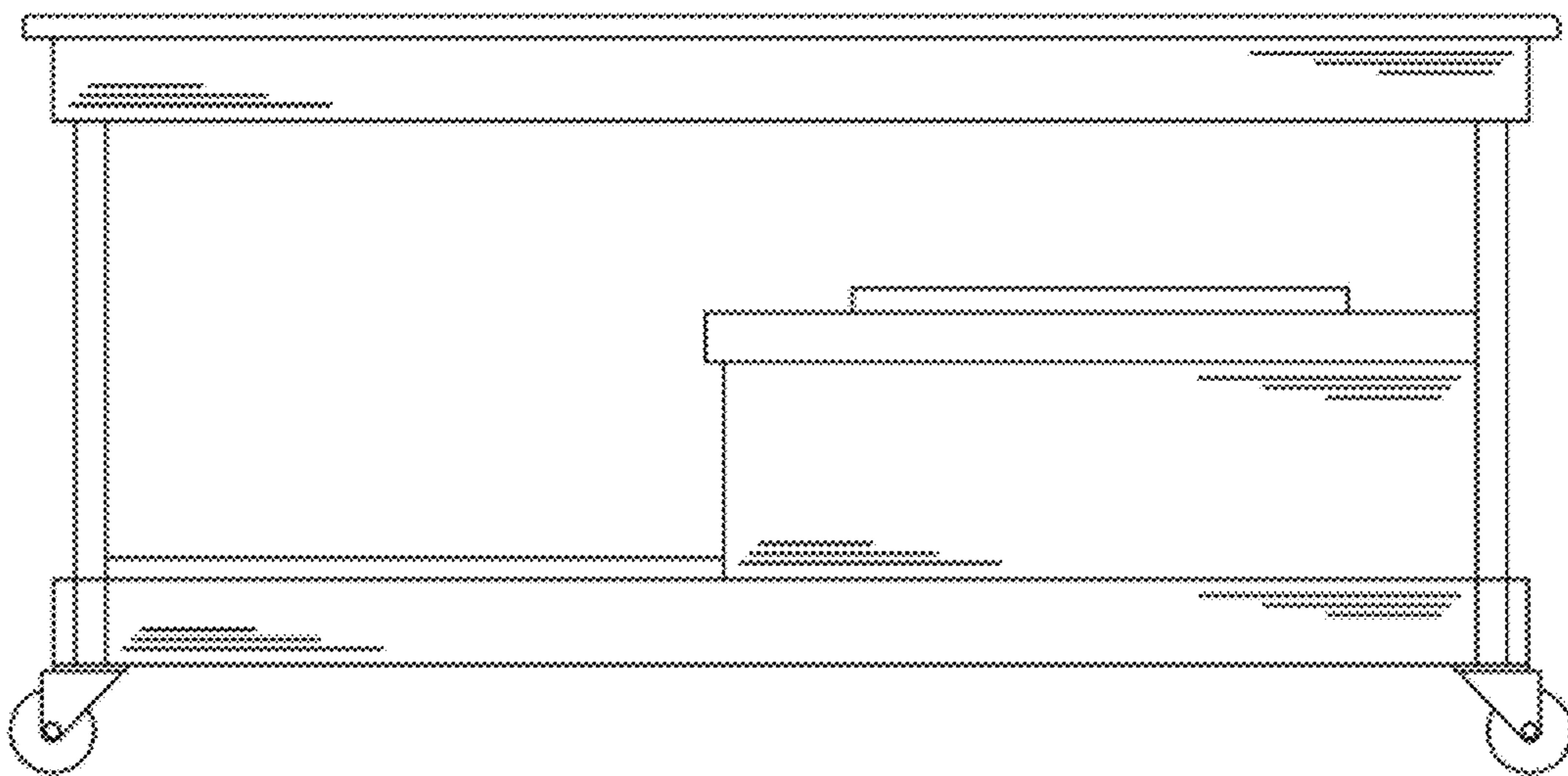


Fig. #5

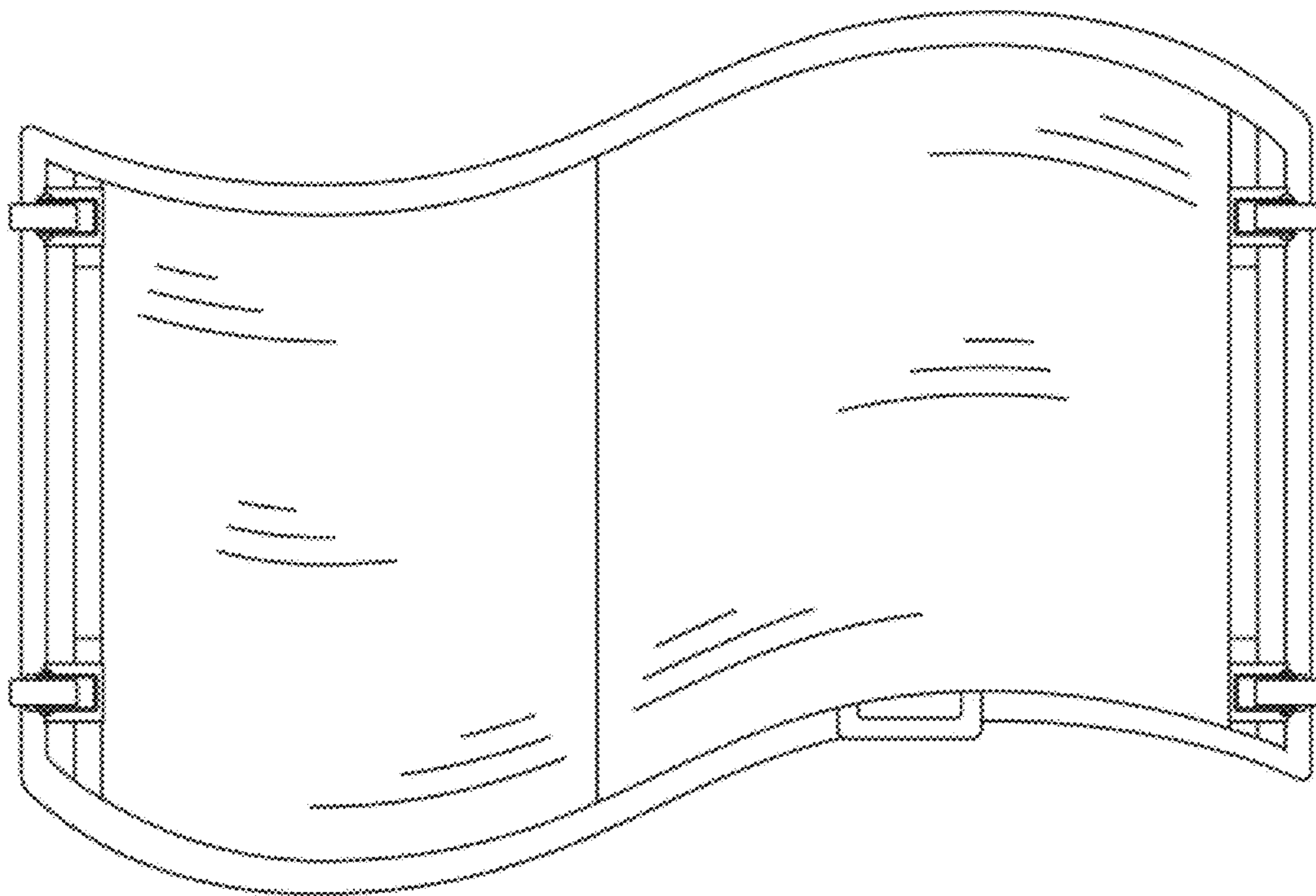


Fig. #6

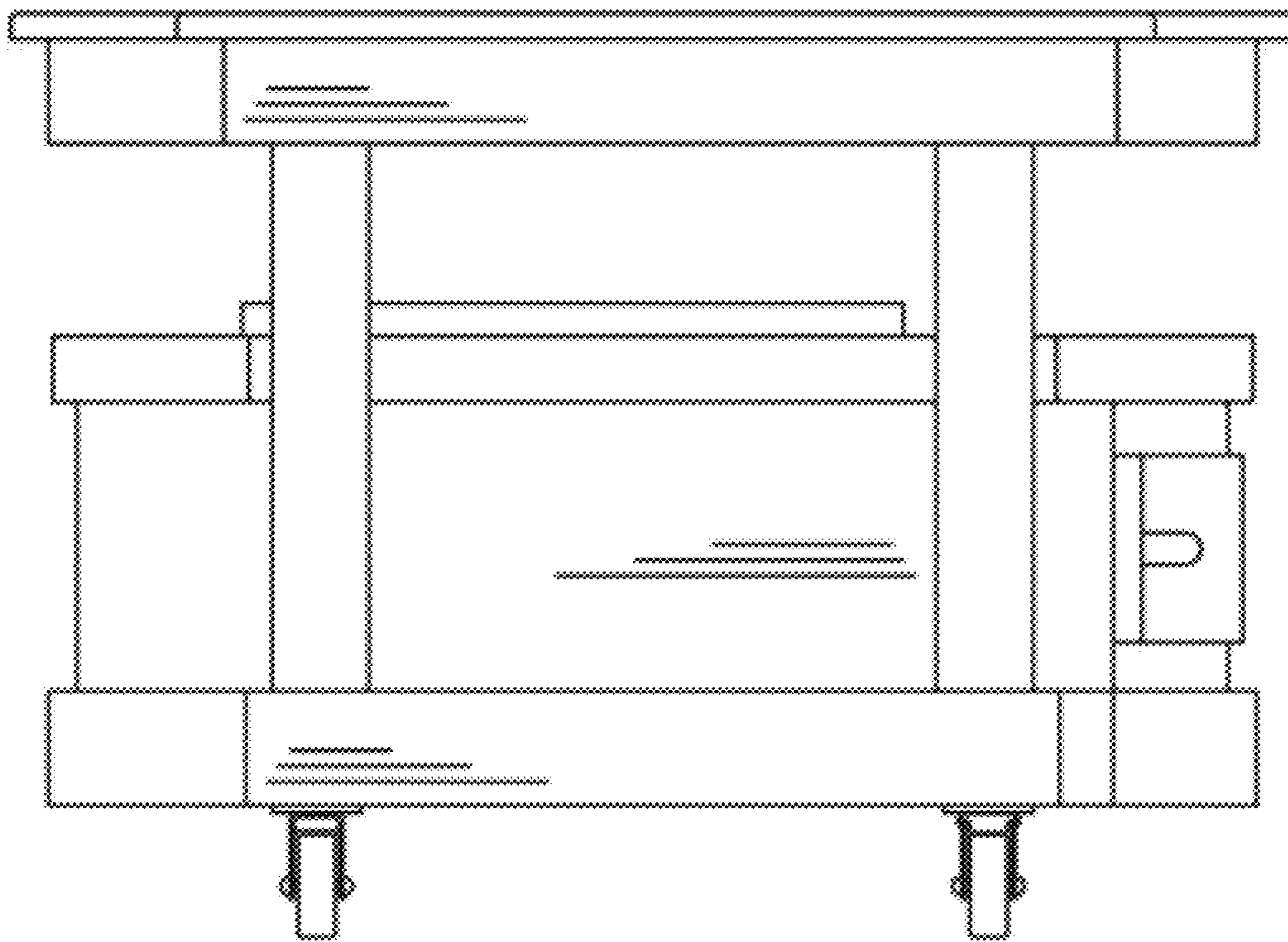


Fig. #7

