



US00D668884S

(12) **United States Design Patent**
Olano Jauregui

(10) **Patent No.:** **US D668,884 S**
(45) **Date of Patent:** **** Oct. 16, 2012**

(54) **FOLDING TABLE**

(75) Inventor: **Juan Carlos Olano Jauregui**, Legorreta (ES)

(73) Assignee: **Eredu, S. Coop.**, Legorreta (ES)

(**) Term: **14 Years**

(21) Appl. No.: **29/388,516**

(22) Filed: **Mar. 30, 2011**

(30) **Foreign Application Priority Data**

Oct. 25, 2010 (EM) 1772765-0001

(51) **LOC (9) Cl.** **06-03**

(52) **U.S. Cl.** **D6/429**

(58) **Field of Classification Search** D6/480-489,
D6/495-499, 429, 426, 349; 108/150, 50.01,
108/50.02, 155, 153.1, 156, 157.13, 161,
108/64, 93, 124, 117, 118, 120; 248/188,
248/188.1

See application file for complete search history.

(56) **References Cited**

U.S. PATENT DOCUMENTS

D396,358 S * 7/1998 Geier D6/349

D484,337 S * 12/2003 Risdon et al. D6/495
D503,552 S * 4/2005 Messier D6/349
D507,902 S * 8/2005 Cioncada D6/480
D592,892 S * 5/2009 Sexton D6/480

* cited by examiner

Primary Examiner — Janice Seeger

(74) *Attorney, Agent, or Firm* — Lucas & Mercanti, LLP

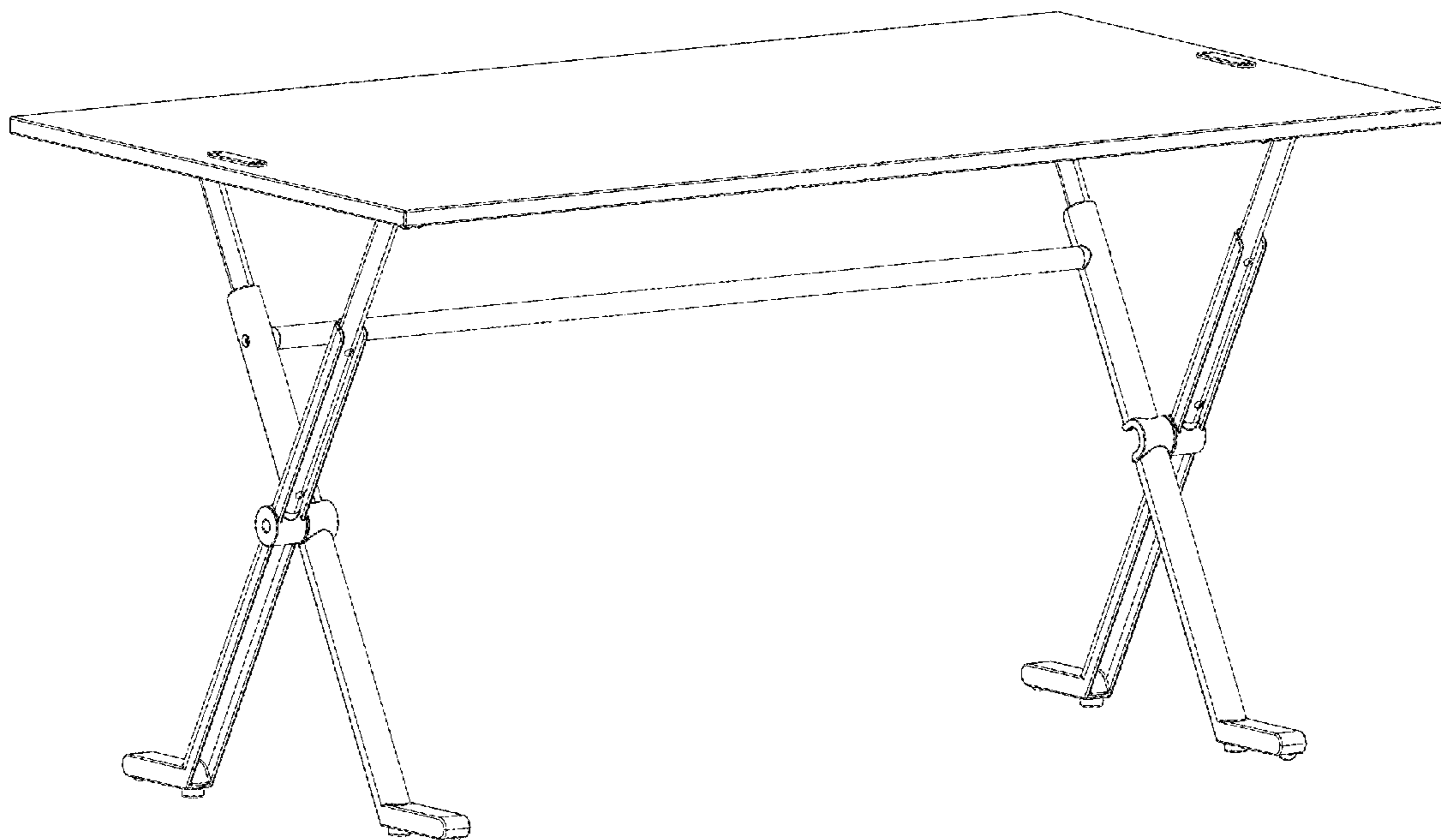
(57) **CLAIM**

The ornamental design for folding table, substantially as shown and described.

DESCRIPTION

FIG. 1 is a perspective view of my folding table design; FIG. 2 is a front view of my folding table design; FIG. 3 is a left-side view of my folding table design; FIG. 4 is a top view of my folding table design; FIG. 5 is a back view of my folding table design; FIG. 6 is a right-side view of my folding table design; and, FIG. 7 is a bottom view of my folding table design. The broken lines are for environmental purposes only and form no part of the claimed design.

1 Claim, 7 Drawing Sheets



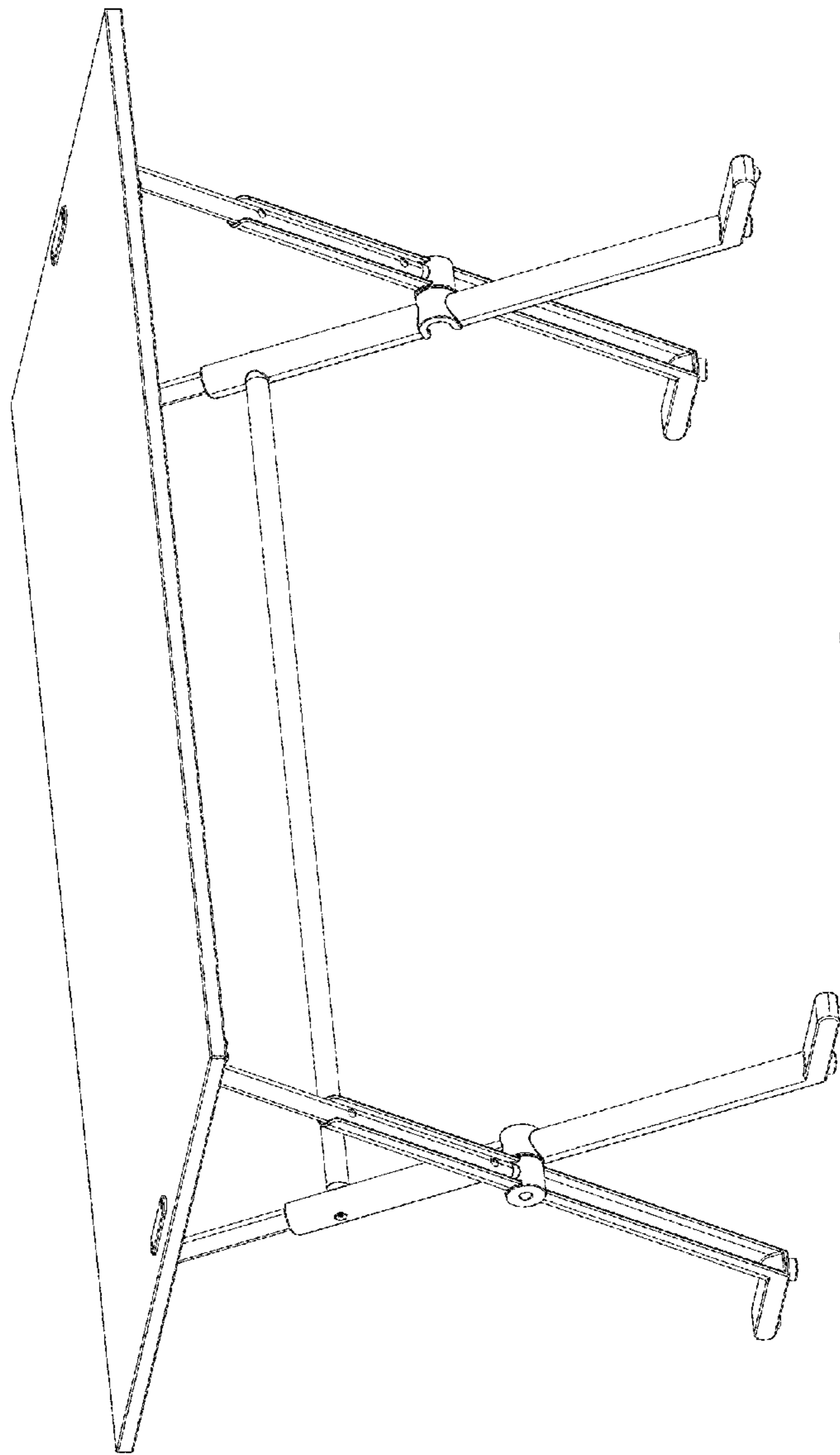


FIG. 1

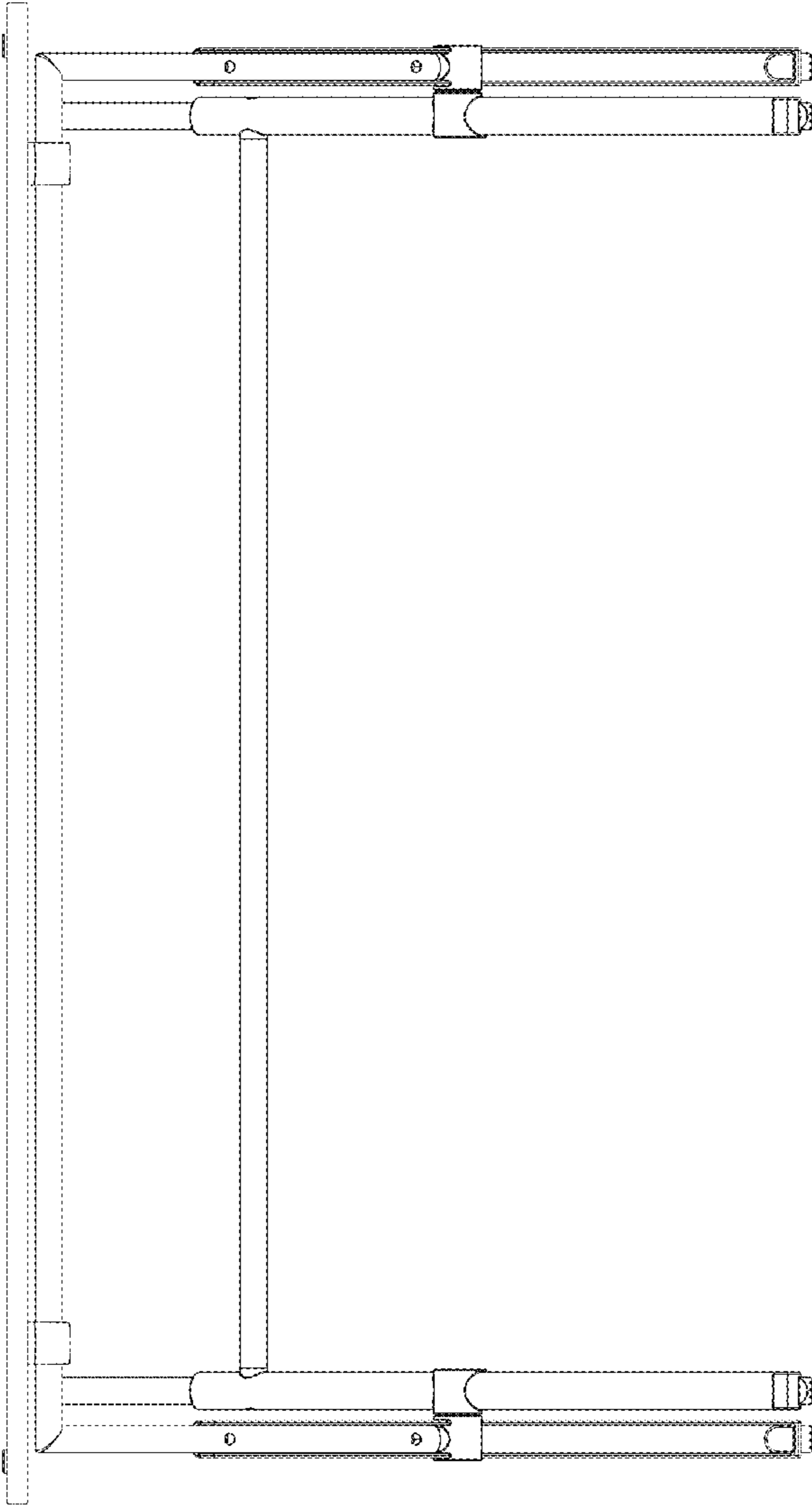


FIG. 2

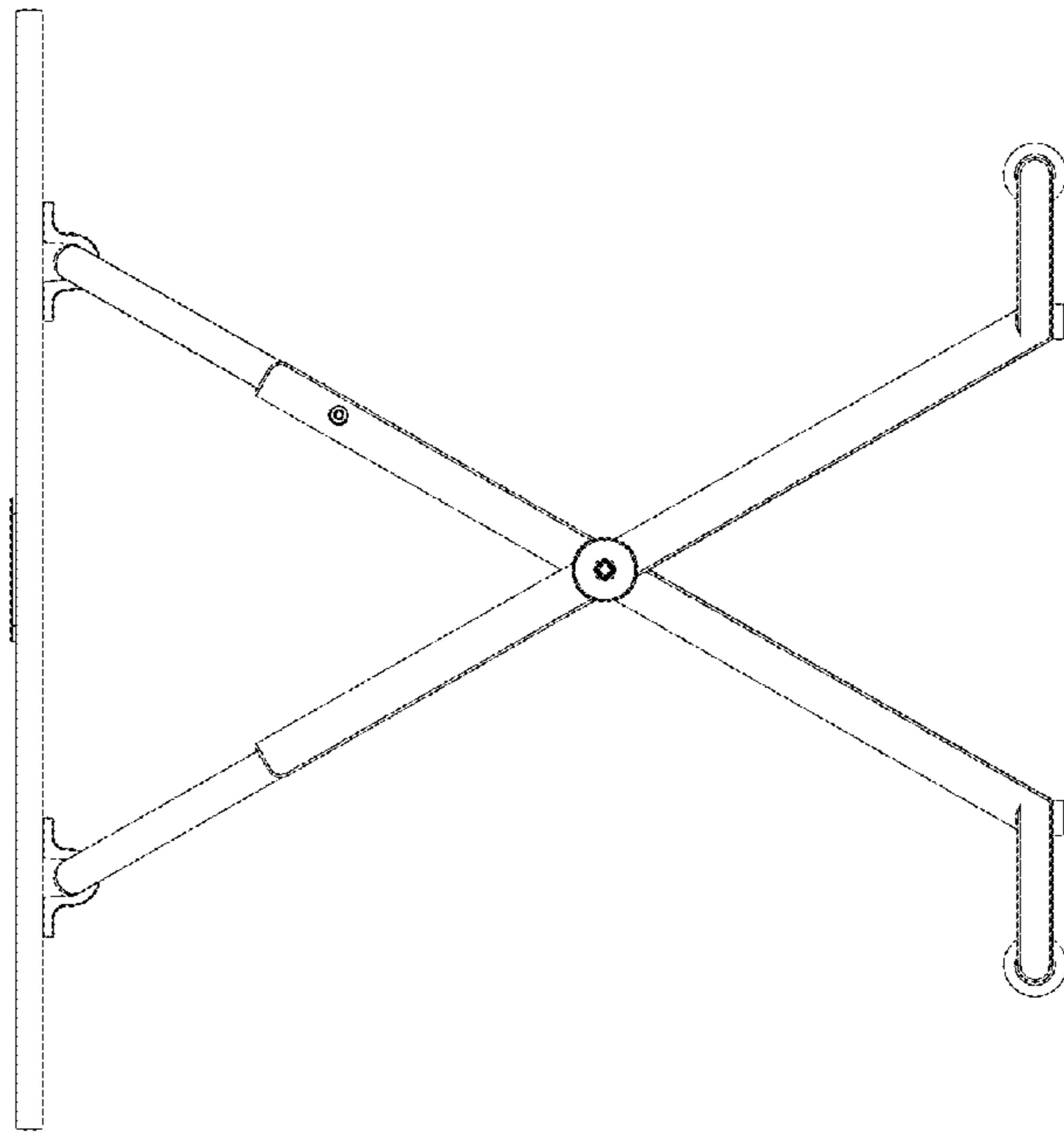


FIG. 3

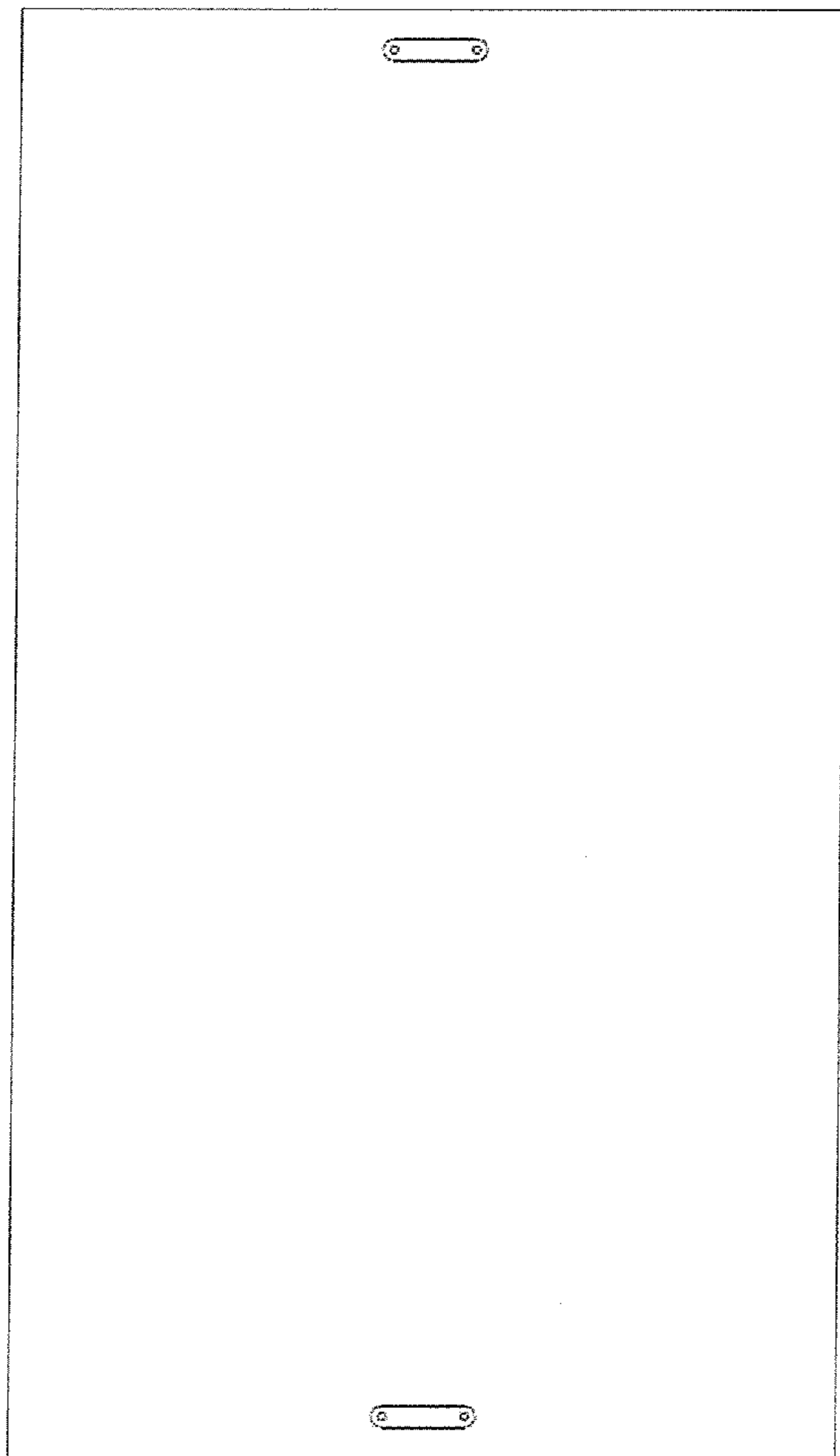


FIG. 4

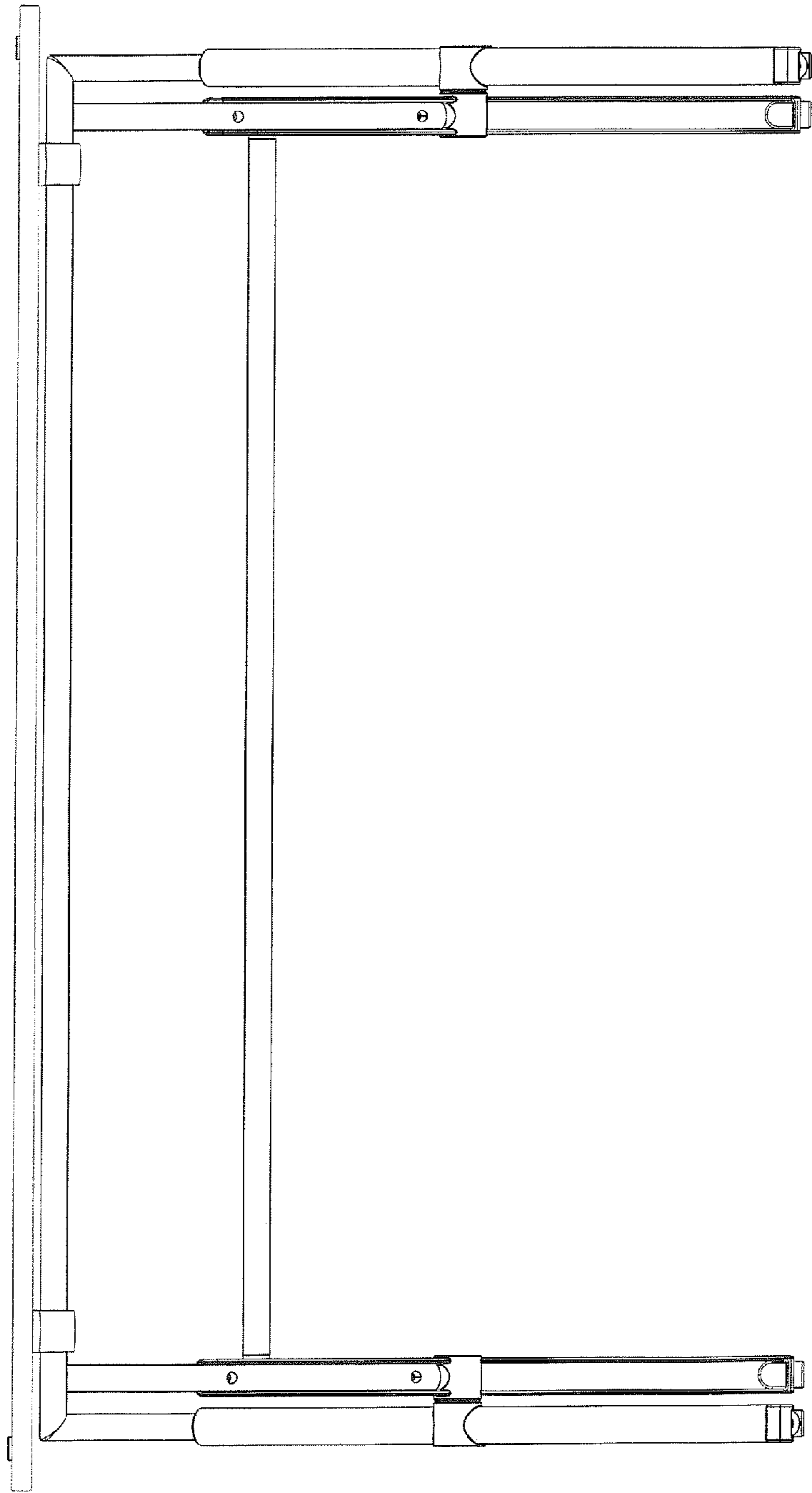


FIG. 5

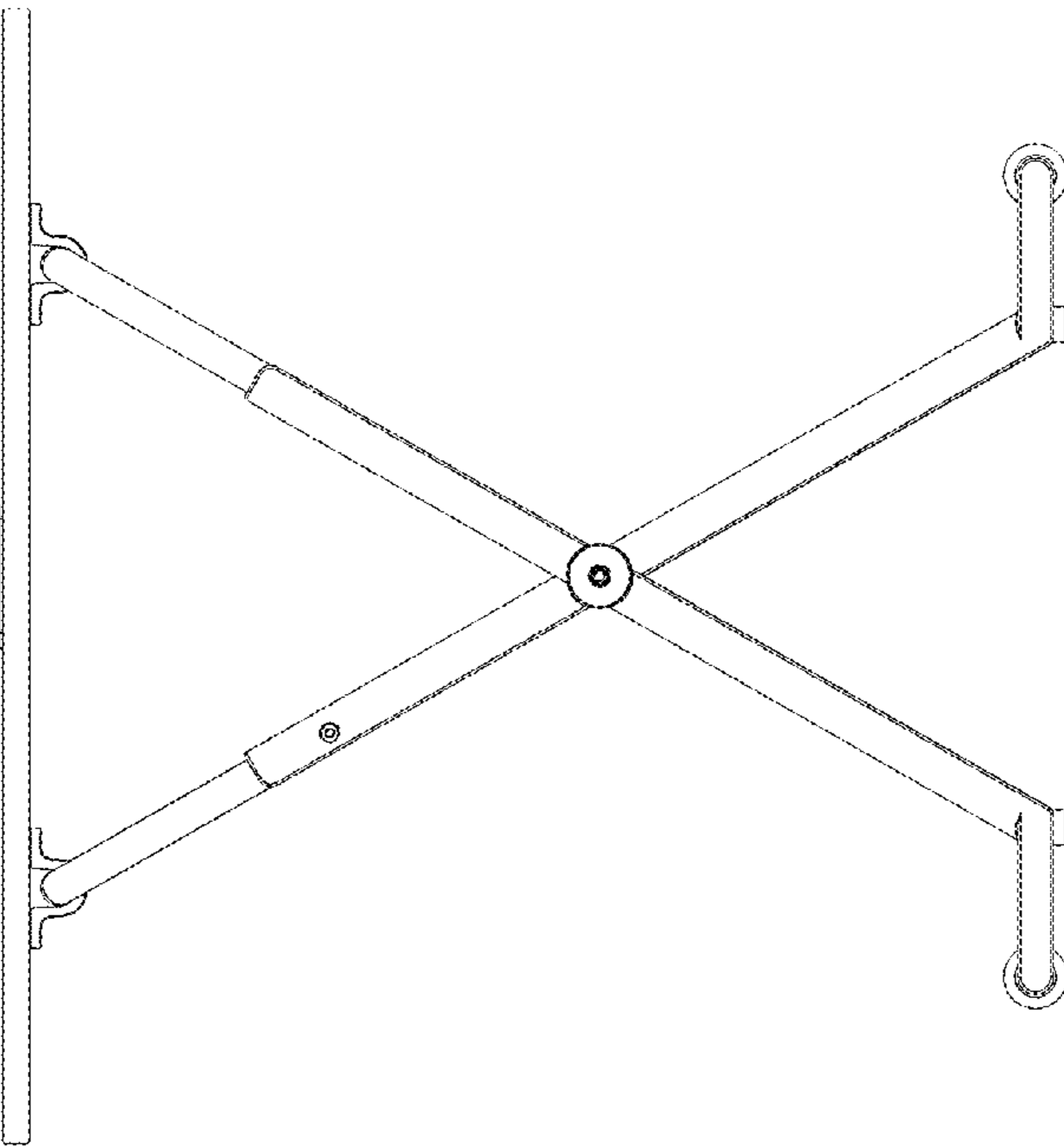


FIG. 6

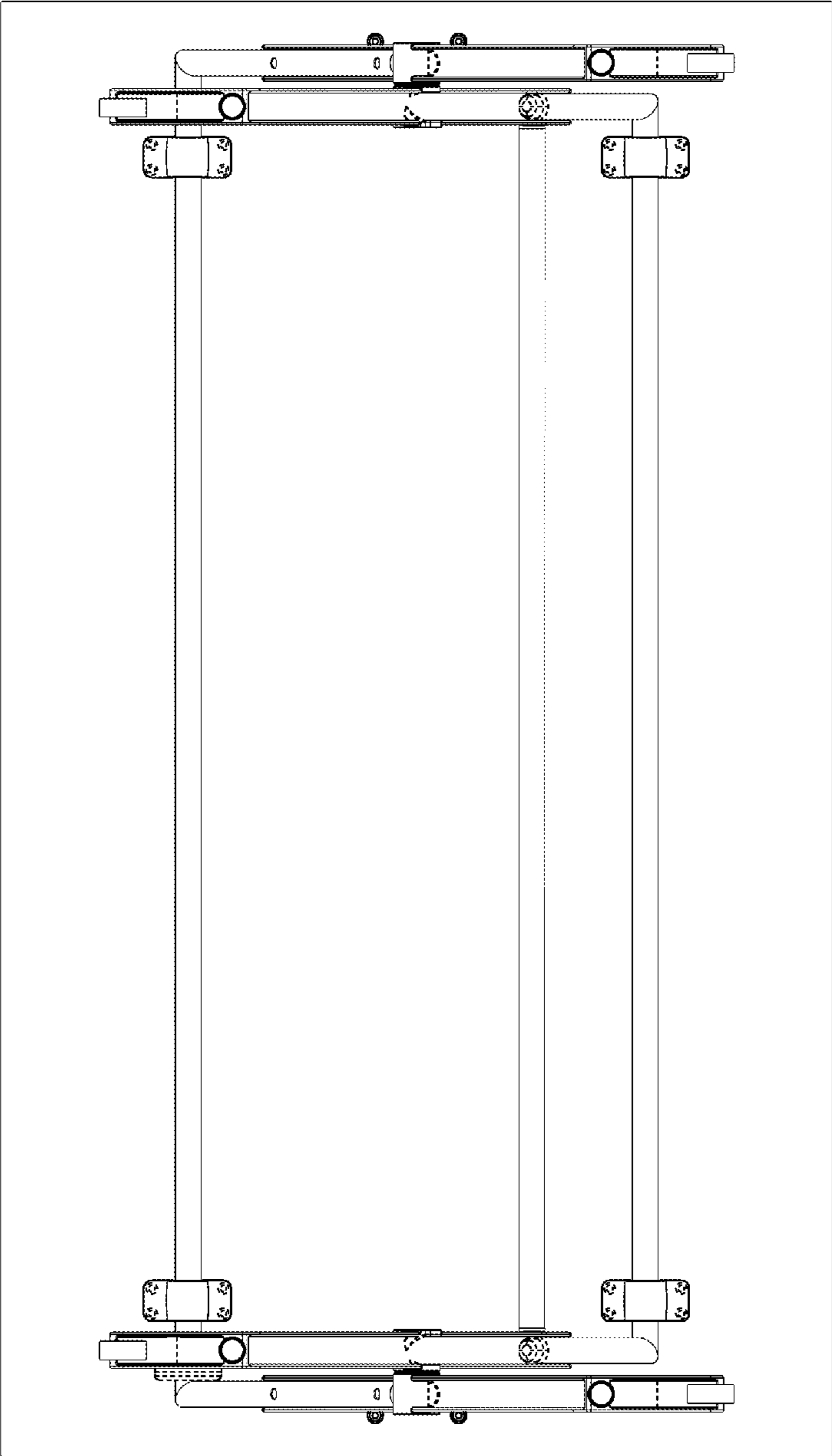


FIG. 7