

US00D668875S

(12) **United States Design Patent**
Meng

(10) **Patent No.:** **US D668,875 S**

(45) **Date of Patent:** **** Oct. 16, 2012**

(54) **TOOL BOX**

Primary Examiner — Jennifer Rivard

(76) Inventor: **Ji-Fen Meng**, Taichung (TW)

(**) Term: **14 Years**

(57) **CLAIM**

The ornamental design for a tool box, as shown and described.

(21) Appl. No.: **29/416,314**

(22) Filed: **Mar. 21, 2012**

(51) **LOC (9) Cl.** **03-01**

(52) **U.S. Cl.** **D3/294; D3/905**

(58) **Field of Classification Search** 206/349,
206/372-379; 220/523-528, 23.4; D3/273,
D3/276, 280-288, 291-297, 900-905, 274
See application file for complete search history.

DESCRIPTION

FIG. 1 is a perspective view of a tool box showing my new design;
FIG. 2 is a front elevational view thereof;
FIG. 3 is a rear elevational view thereof;
FIG. 4 is a left side view thereof;
FIG. 5 is a right side view thereof;
FIG. 6 is a top plan view thereof;
FIG. 7 is a bottom plan view thereof; and,
FIG. 8 is a perspective view thereof for showing the present design as combined with a hanging hook.
The broken lines shown in the drawings illustrate portions of the article and form no part of the claimed design.

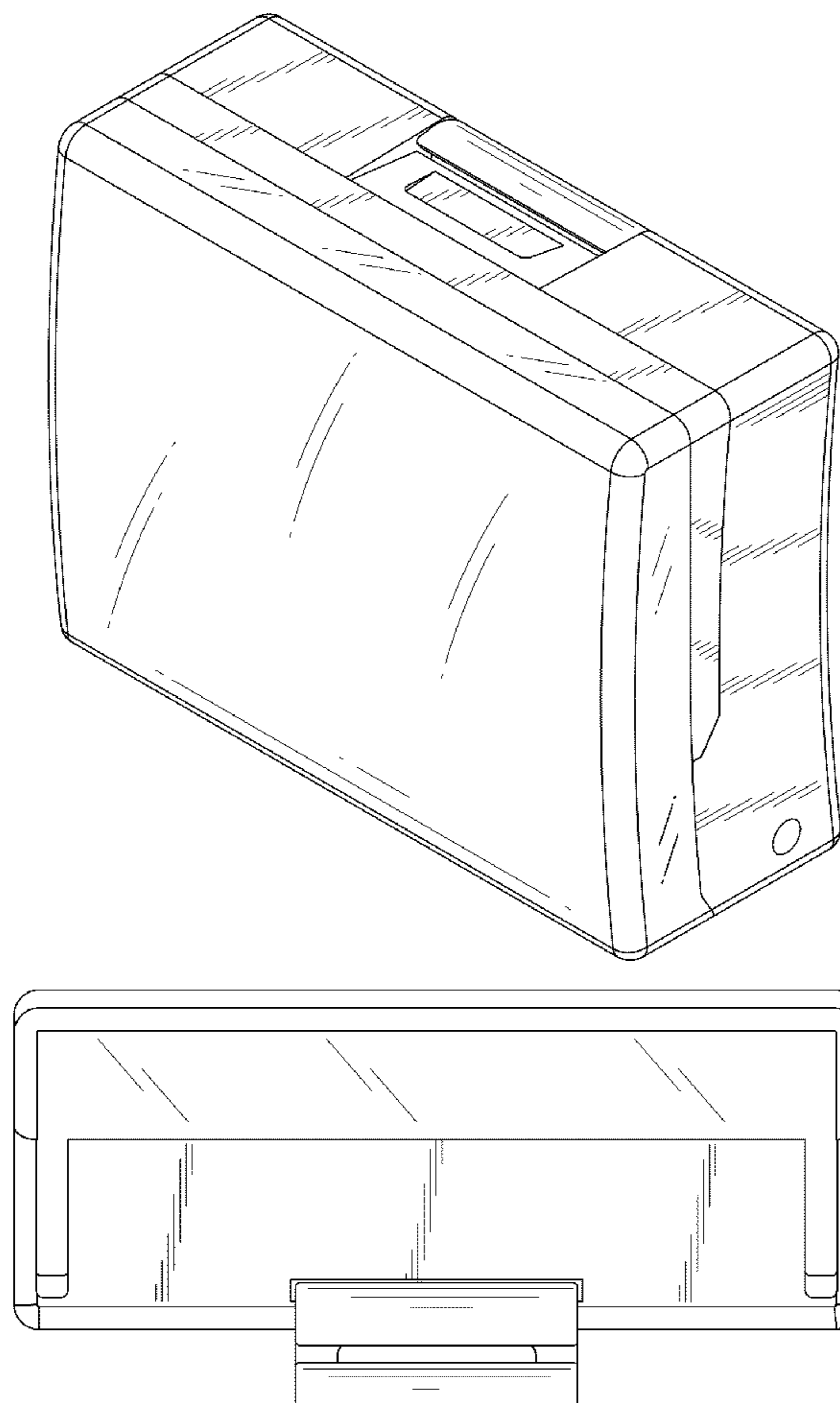
(56) **References Cited**

U.S. PATENT DOCUMENTS

D411,040 S *	6/1999	Gilbertson et al.	D3/294
D496,160 S *	9/2004	Rosler	D3/281
D496,161 S *	9/2004	Rosler	D3/281
D539,035 S *	3/2007	Chen	D3/281
D589,703 S *	4/2009	Wenche et al.	D3/273
D658,377 S *	5/2012	Corwin et al.	D3/302

* cited by examiner

1 Claim, 7 Drawing Sheets



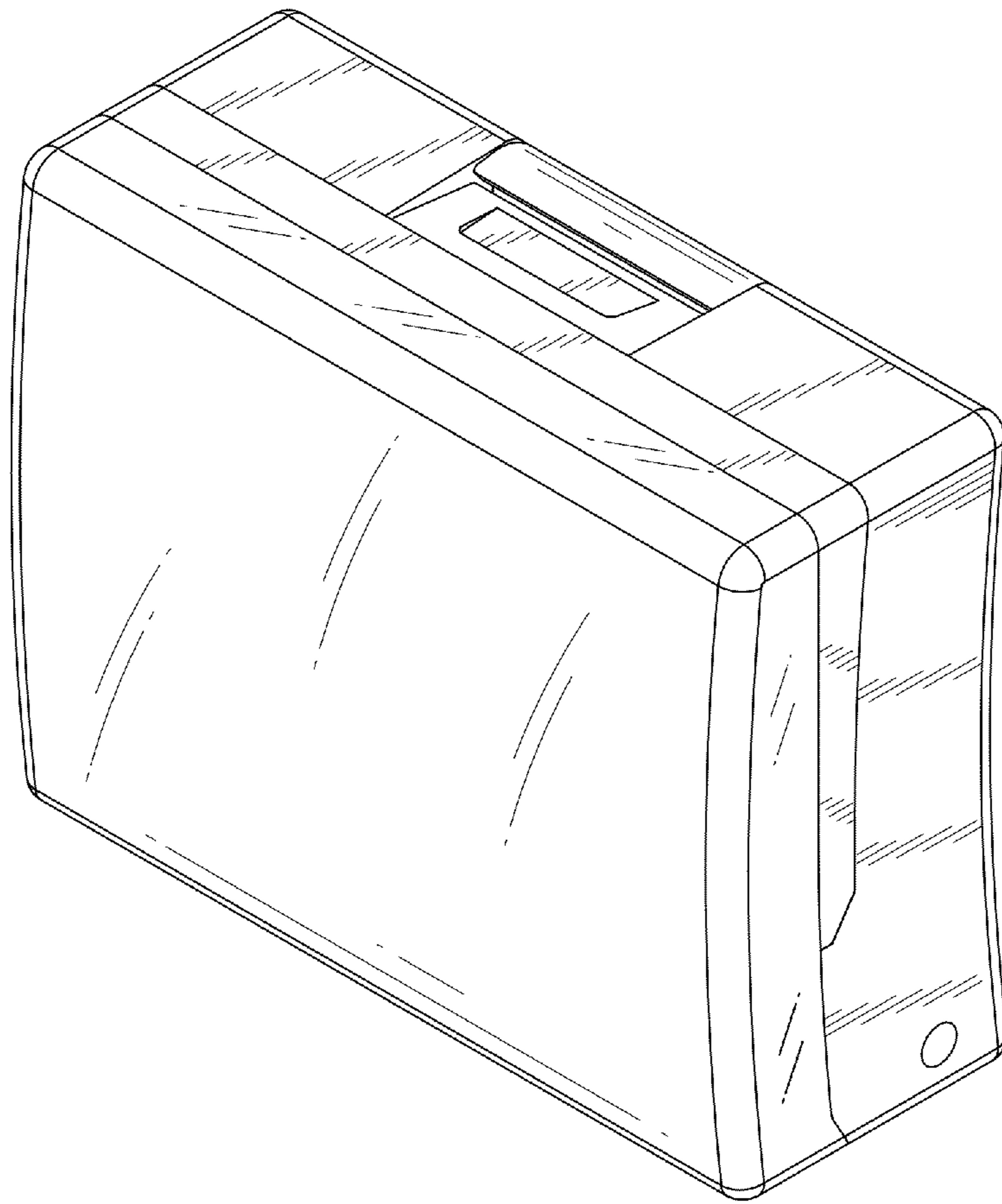


FIG. 1

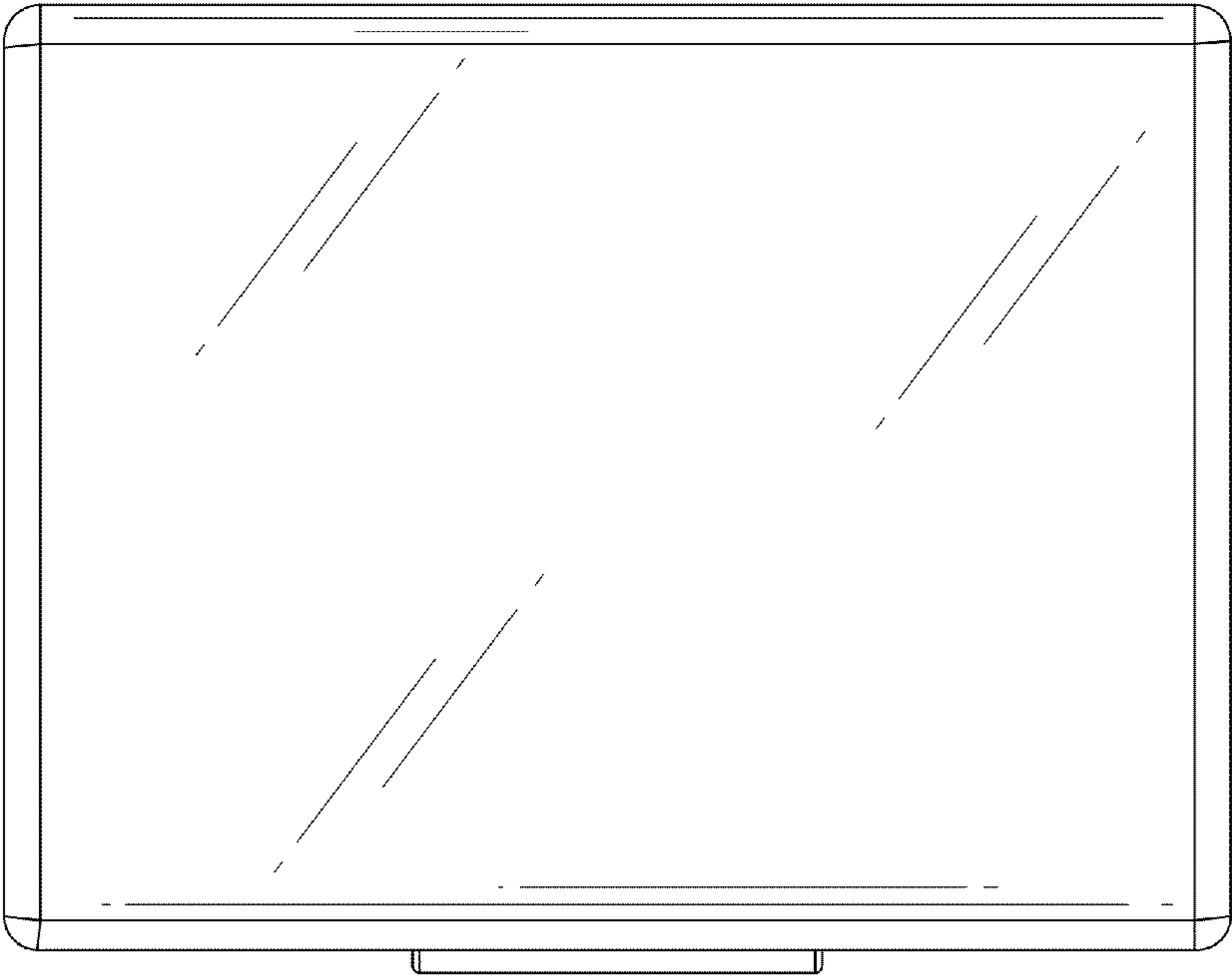


FIG. 2

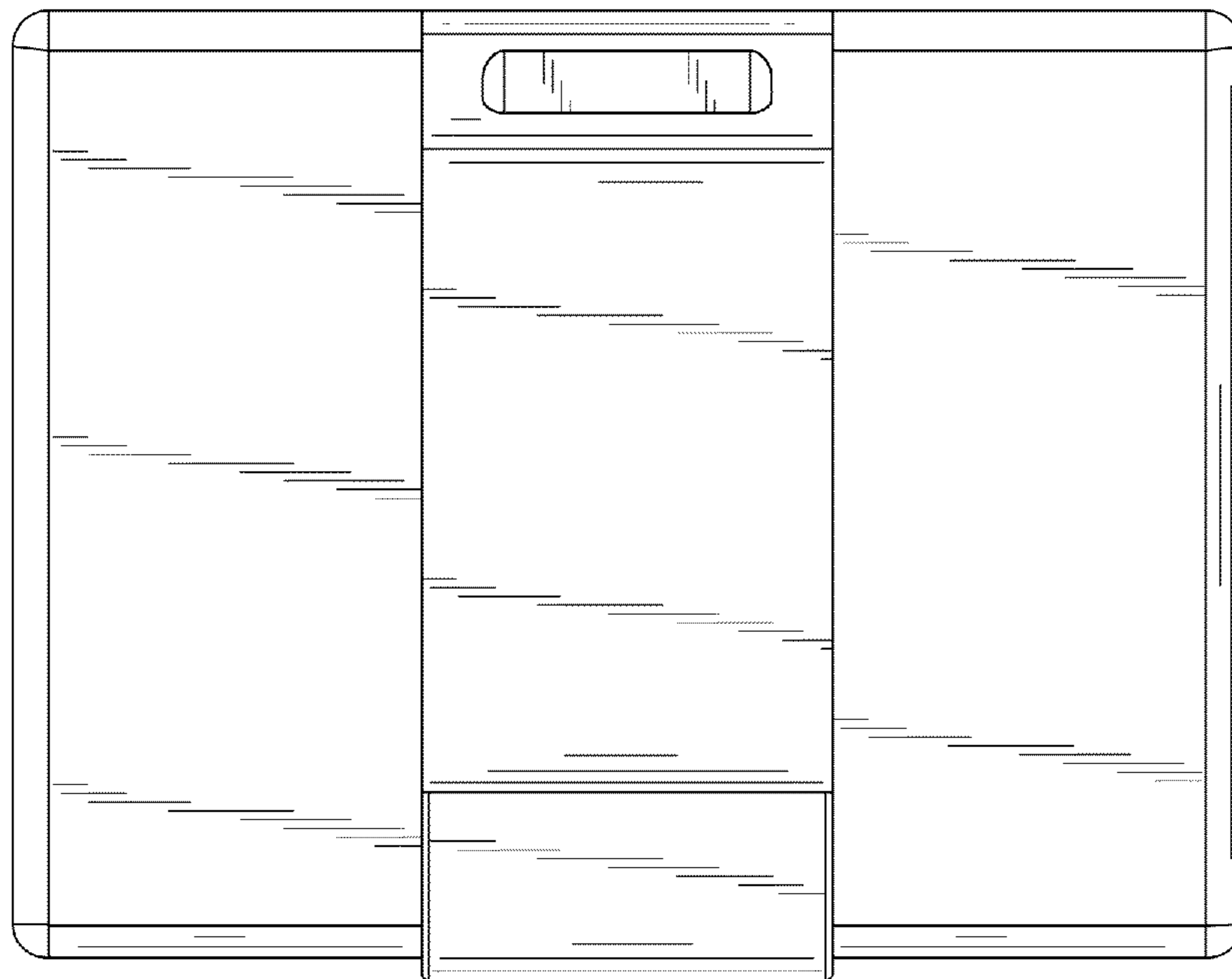


FIG. 3

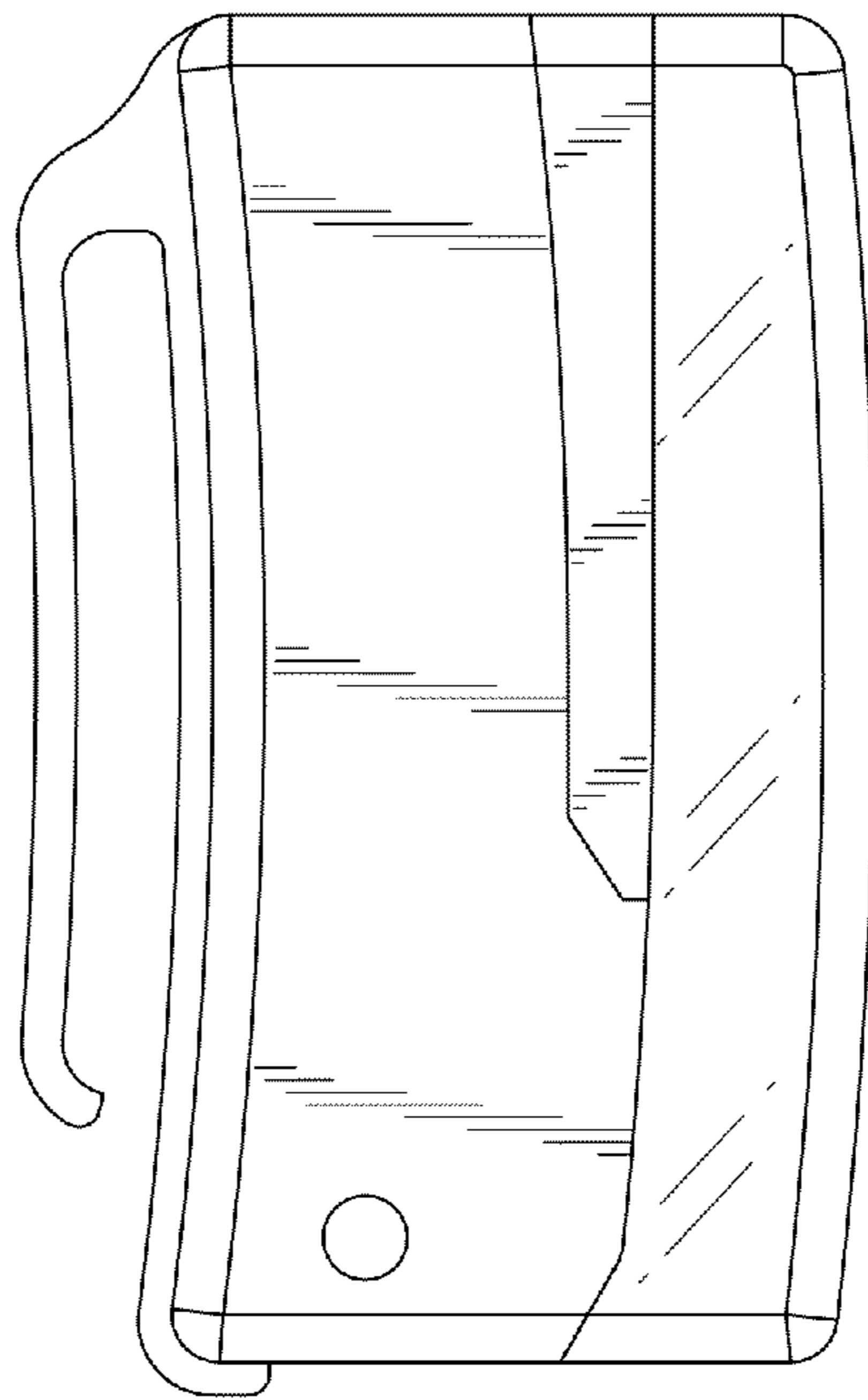


FIG. 4

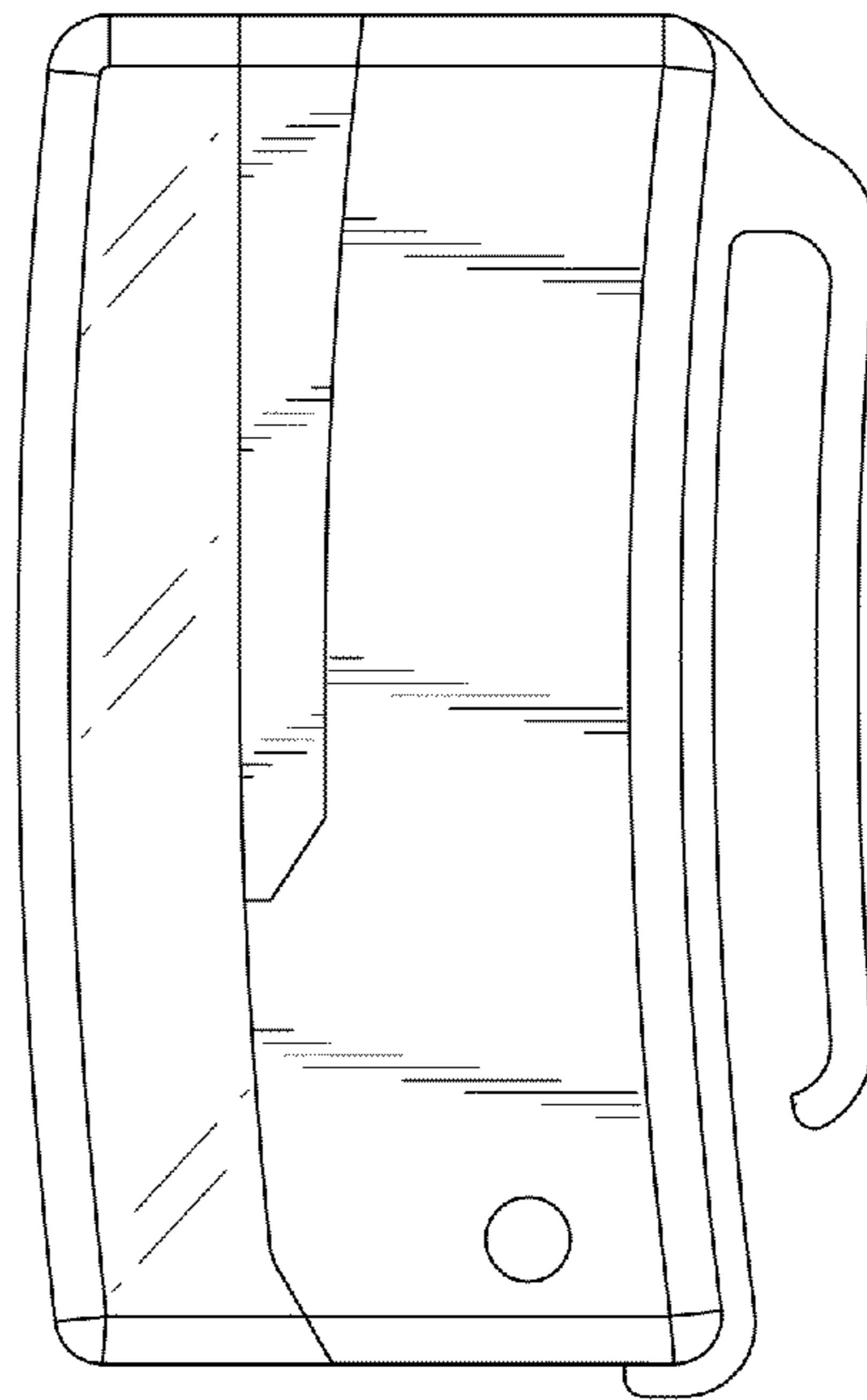


FIG. 5

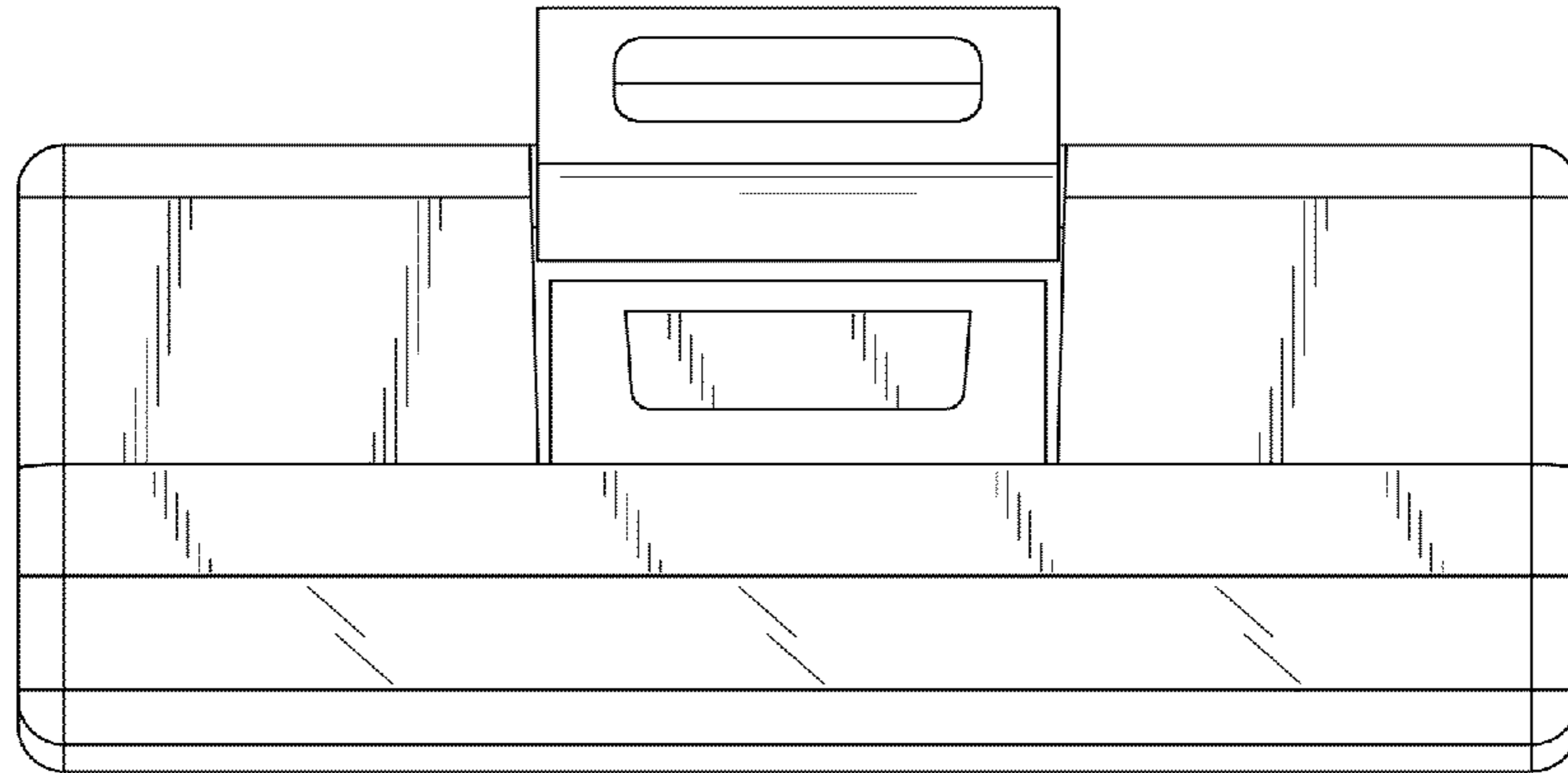


FIG. 6

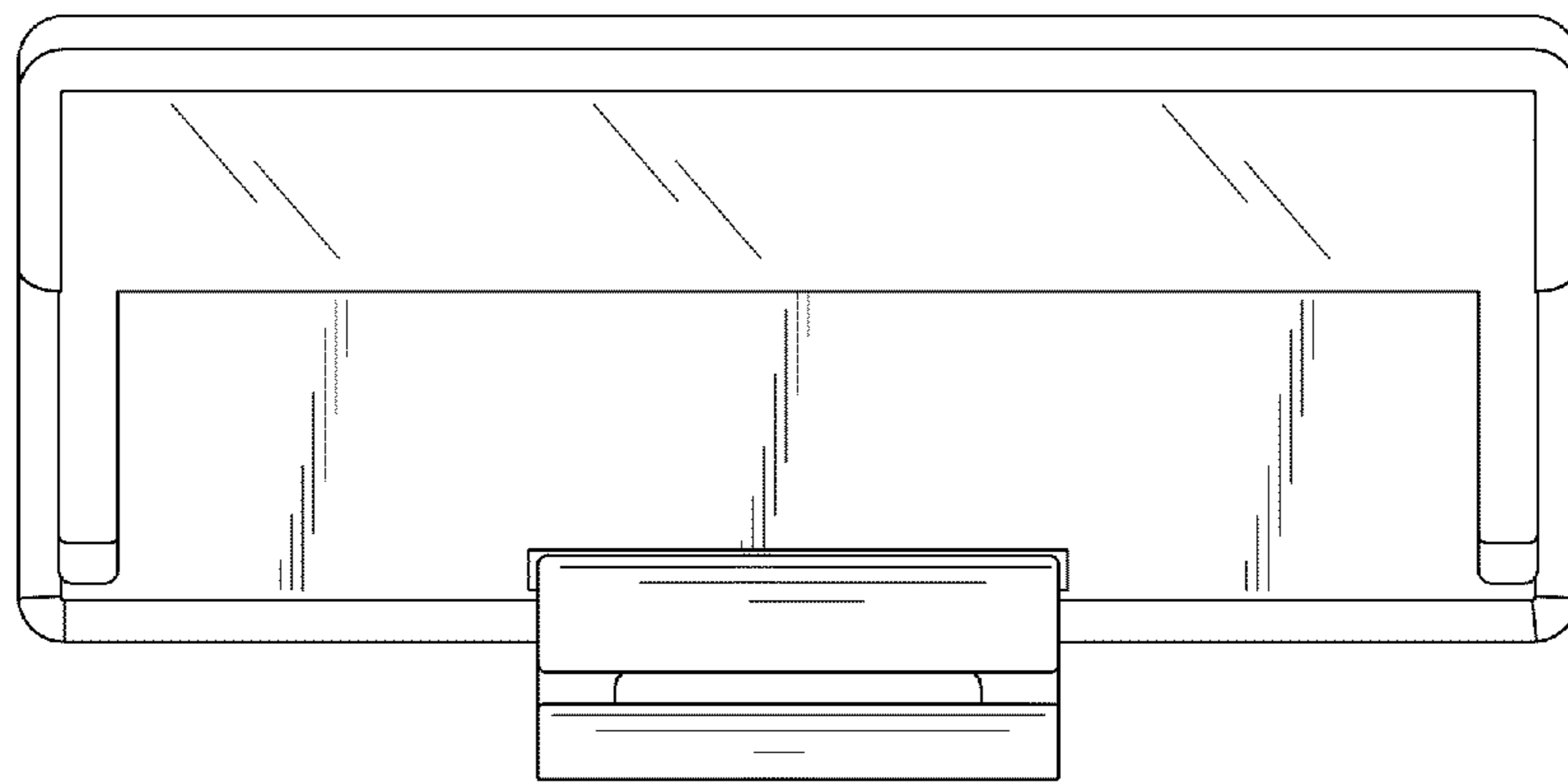


FIG. 7

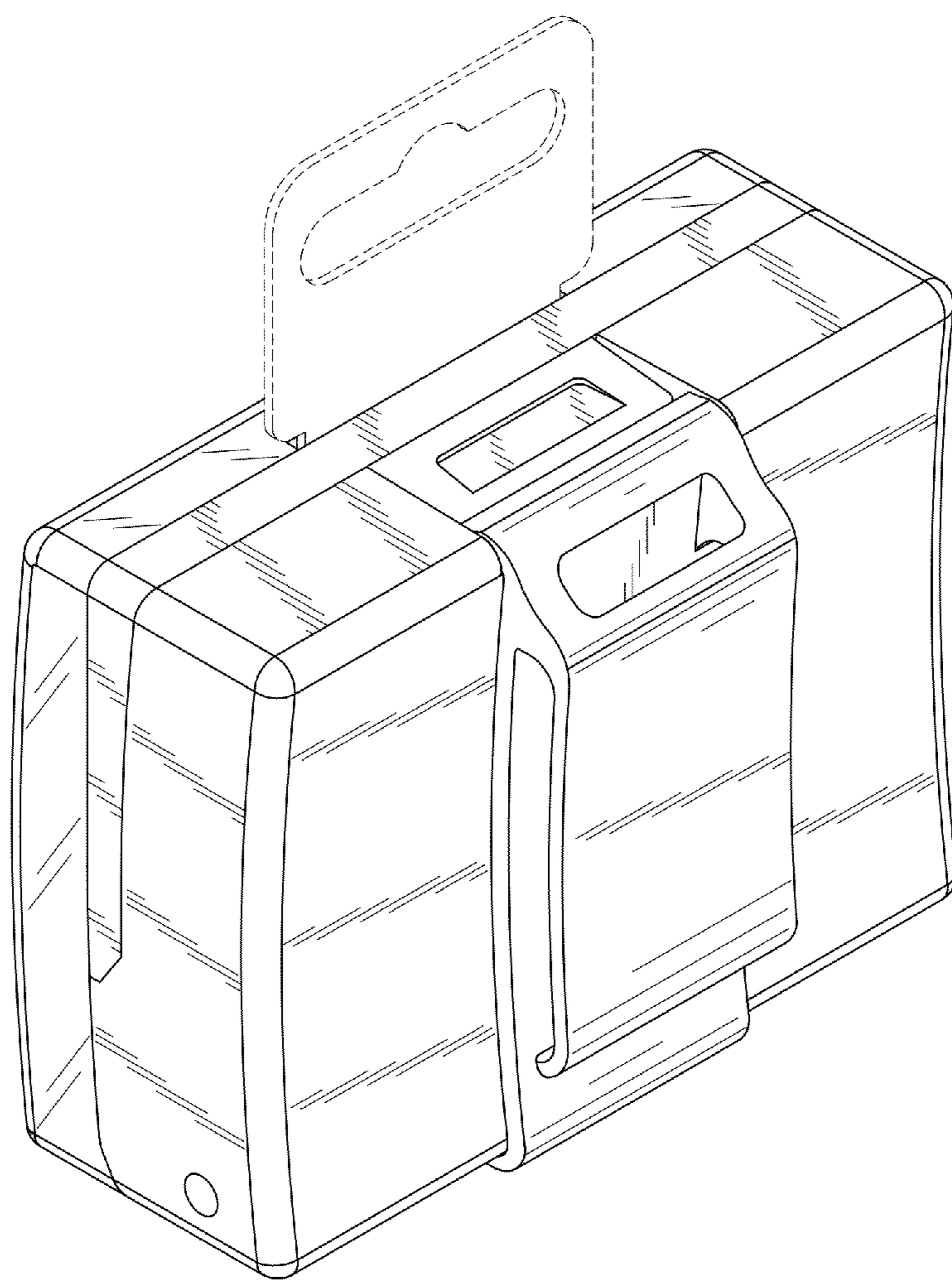


FIG. 8