

US00D668873S

(12) **United States Design Patent**
Robinson et al.

(10) **Patent No.:** **US D668,873 S**
(45) **Date of Patent:** **** Oct. 16, 2012**

(54) **TOOL CASE**

(75) Inventors: **Glenn Robinson**, Parkland, FL (US);
Joseph Deguglimo, Boca Raton, FL (US)

(73) Assignee: **IBT Holdings, LLC**, Deerfield Beach, FL (US)

(**) Term: **14 Years**

(21) Appl. No.: **29/395,603**

(22) Filed: **Feb. 28, 2012**

(51) **LOC (9) Cl.** **03-01**

(52) **U.S. Cl.** **D3/293**; D3/294; D3/905

(58) **Field of Classification Search** 206/349,
206/372-379; 220/523-528, 23.4; D3/273,
D3/276, 280-288, 291-297, 900-905; 211/70.6
See application file for complete search history.

(56) **References Cited**

U.S. PATENT DOCUMENTS

D370,781 S *	6/1996	Vasudeva	D3/284
D382,115 S *	8/1997	Chang	D3/282
D436,441 S *	1/2001	Lapidus	D3/273
D443,762 S *	6/2001	Park	D3/295
D446,651 S *	8/2001	Liao	D3/284

D464,196 S *	10/2002	Parker	D3/273
D524,046 S *	7/2006	Pangerc et al.	D3/273
D551,456 S *	9/2007	Singh et al.	D3/315
D552,465 S *	10/2007	Ringo	D9/415
D605,403 S *	12/2009	Santamarina et al.	D3/294
D645,663 S *	9/2011	Henley et al.	D3/294
D655,503 S *	3/2012	Deguglimo et al.	D3/293

* cited by examiner

Primary Examiner — Jennifer Rivard

(74) *Attorney, Agent, or Firm* — Dan DeLaRosa

(57) **CLAIM**

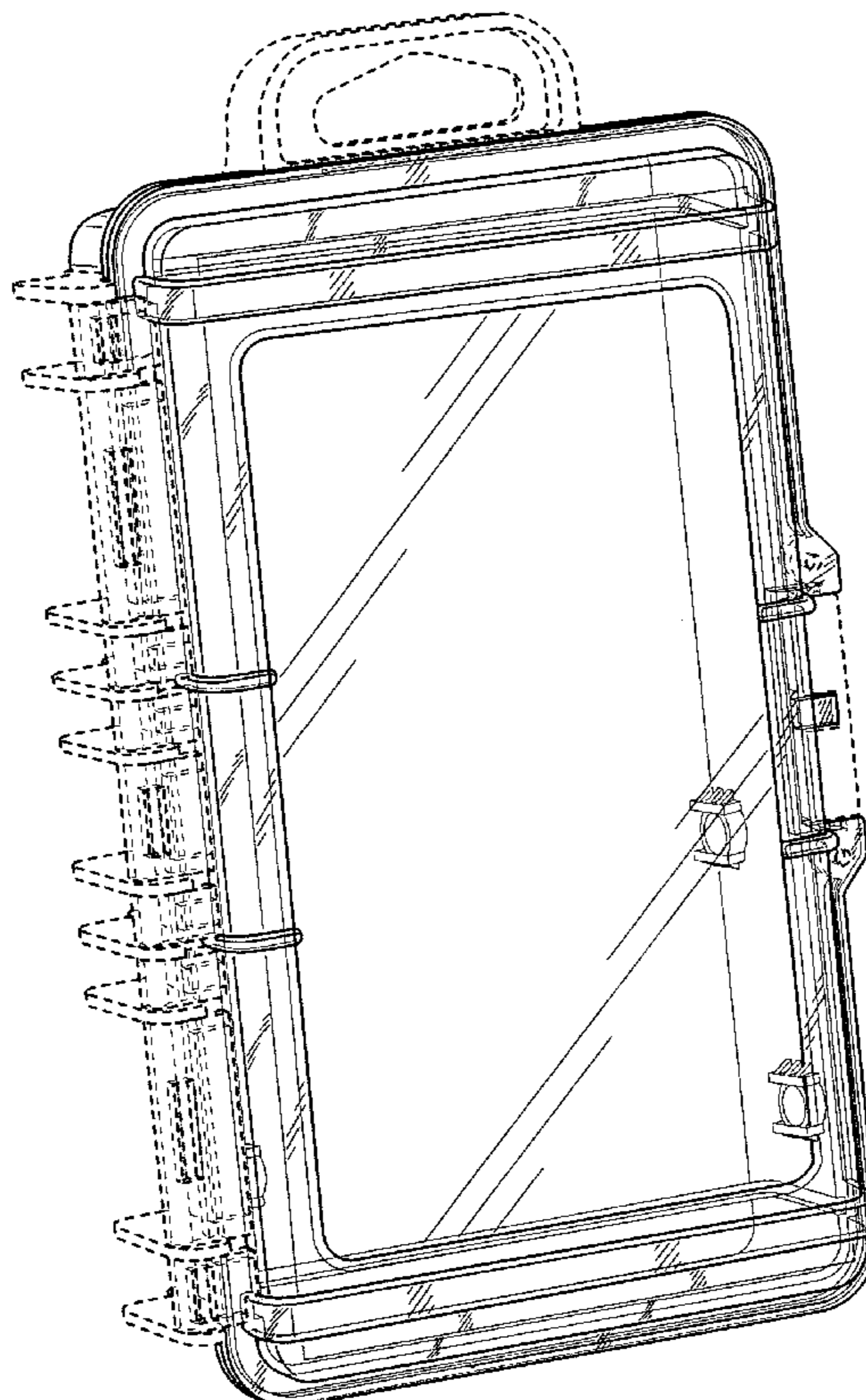
The ornamental design for a tool case, as shown and described.

DESCRIPTION

FIG. 1 is a front perspective view of the tool case of the present invention showing my new design; FIG. 2 is a front side elevational view thereof; FIG. 3 is a back side elevational view thereof; FIG. 4 is a side elevational view thereof; FIG. 5 is another side elevational view thereof; FIG. 6 is a top plan view thereof; and, FIG. 7 is a bottom plan view thereof.

The broken lines shown in the drawings illustrate portions of the article and form no part of the claimed design.

1 Claim, 5 Drawing Sheets



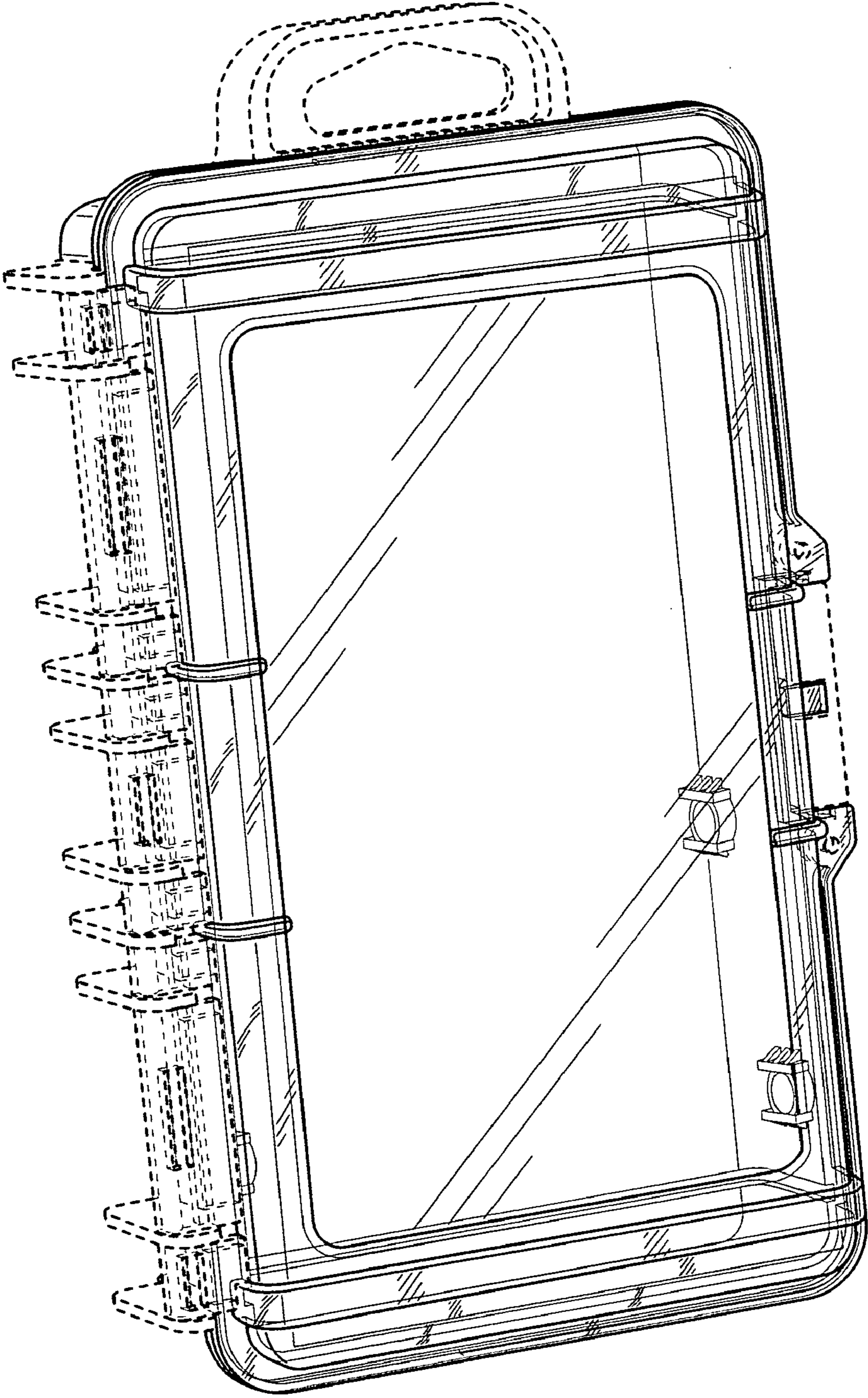


FIG. 1

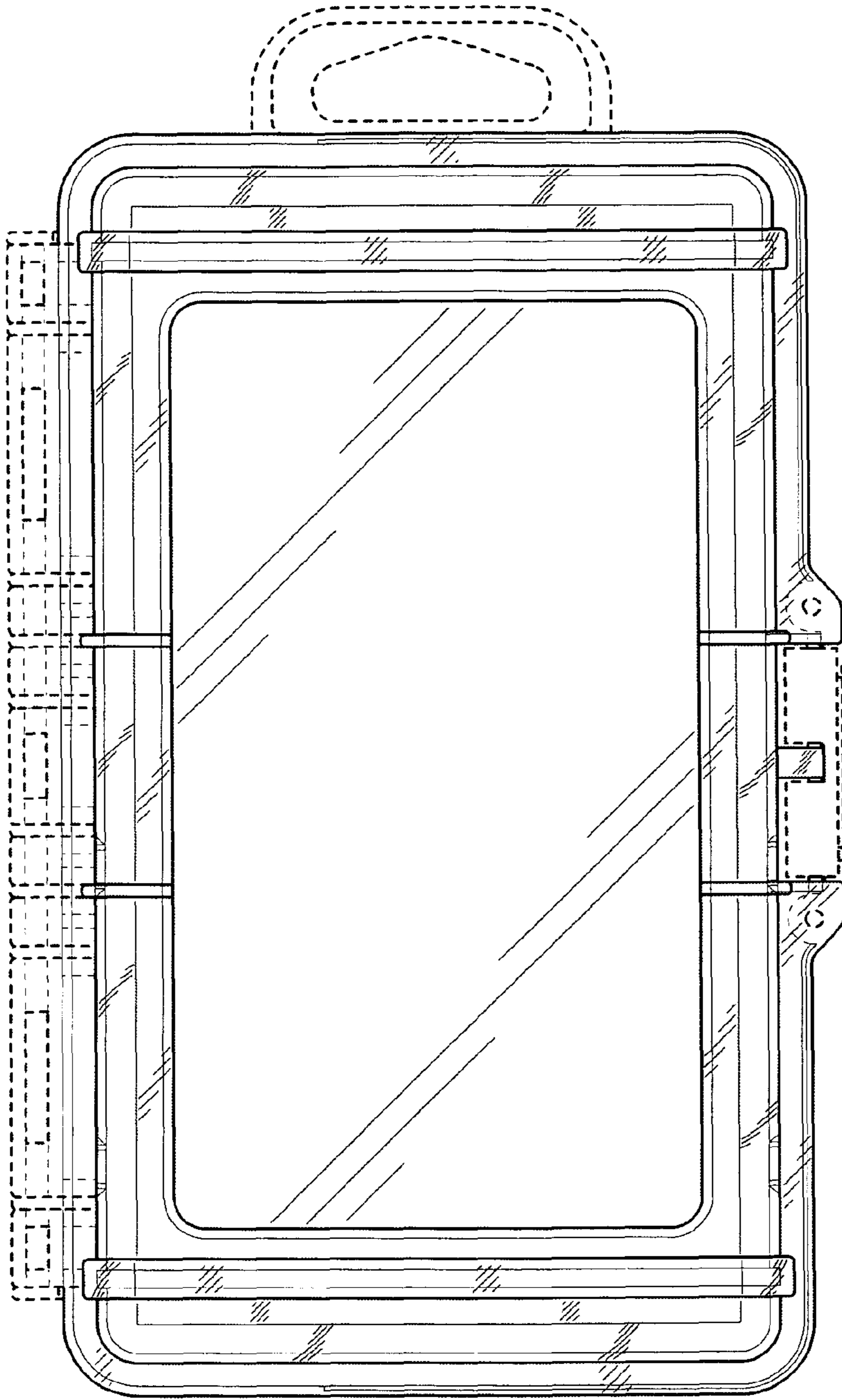


FIG. 2

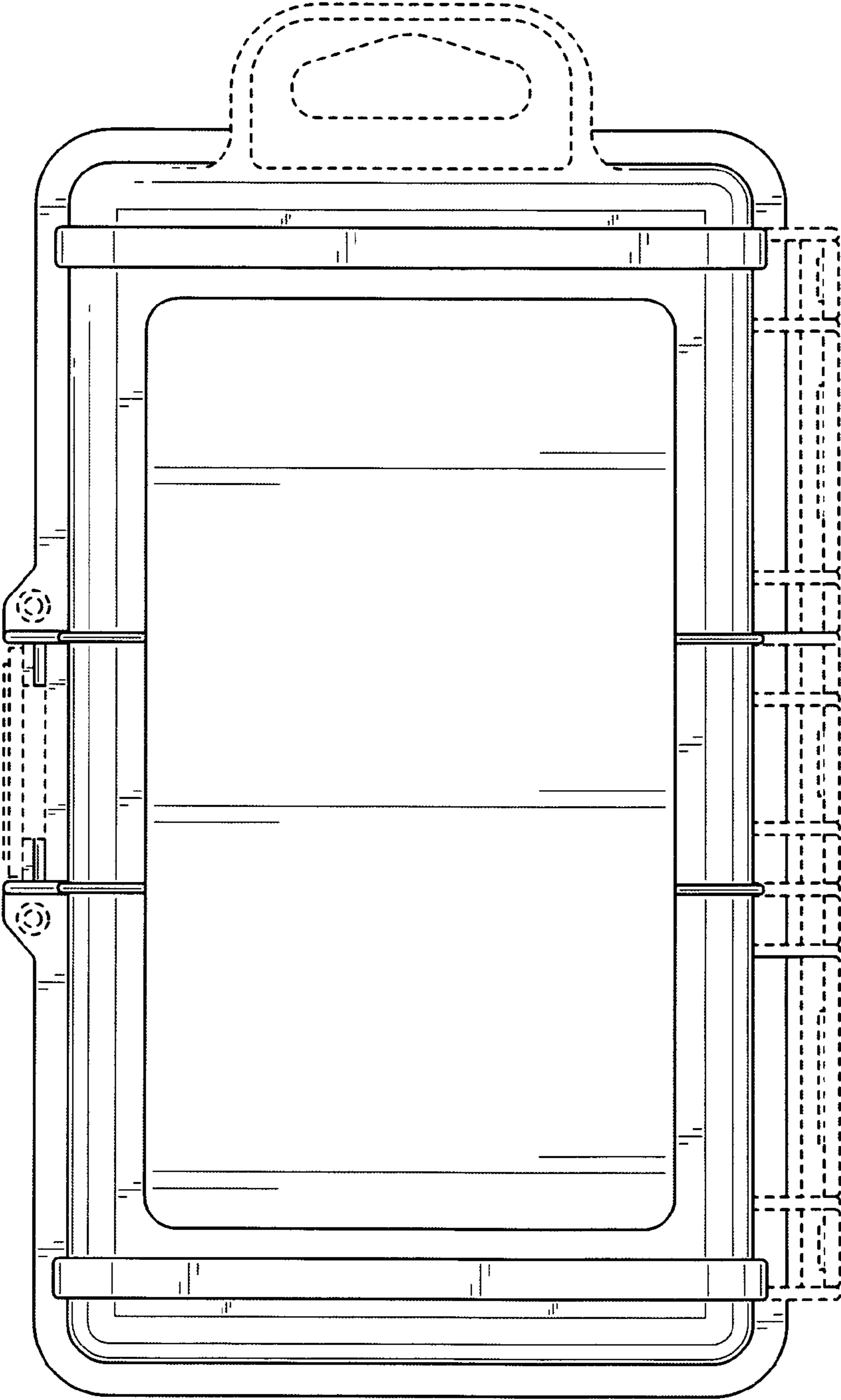


FIG. 3

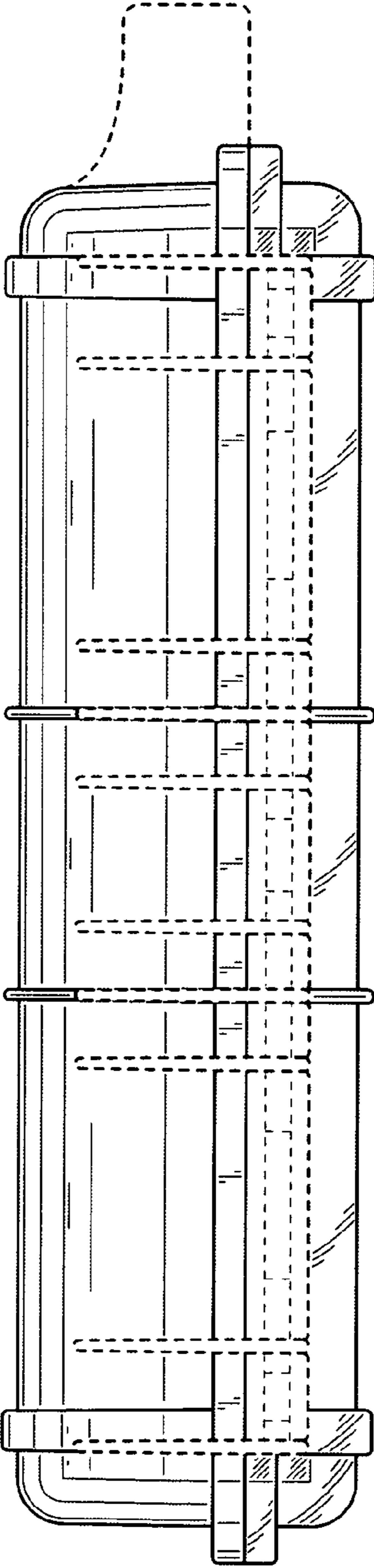


FIG. 4

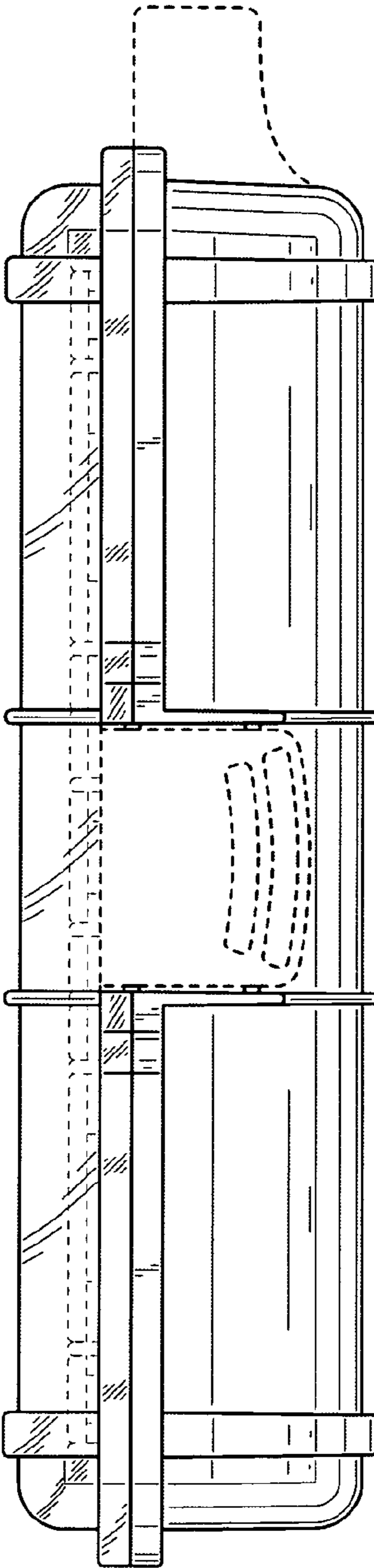


FIG. 5

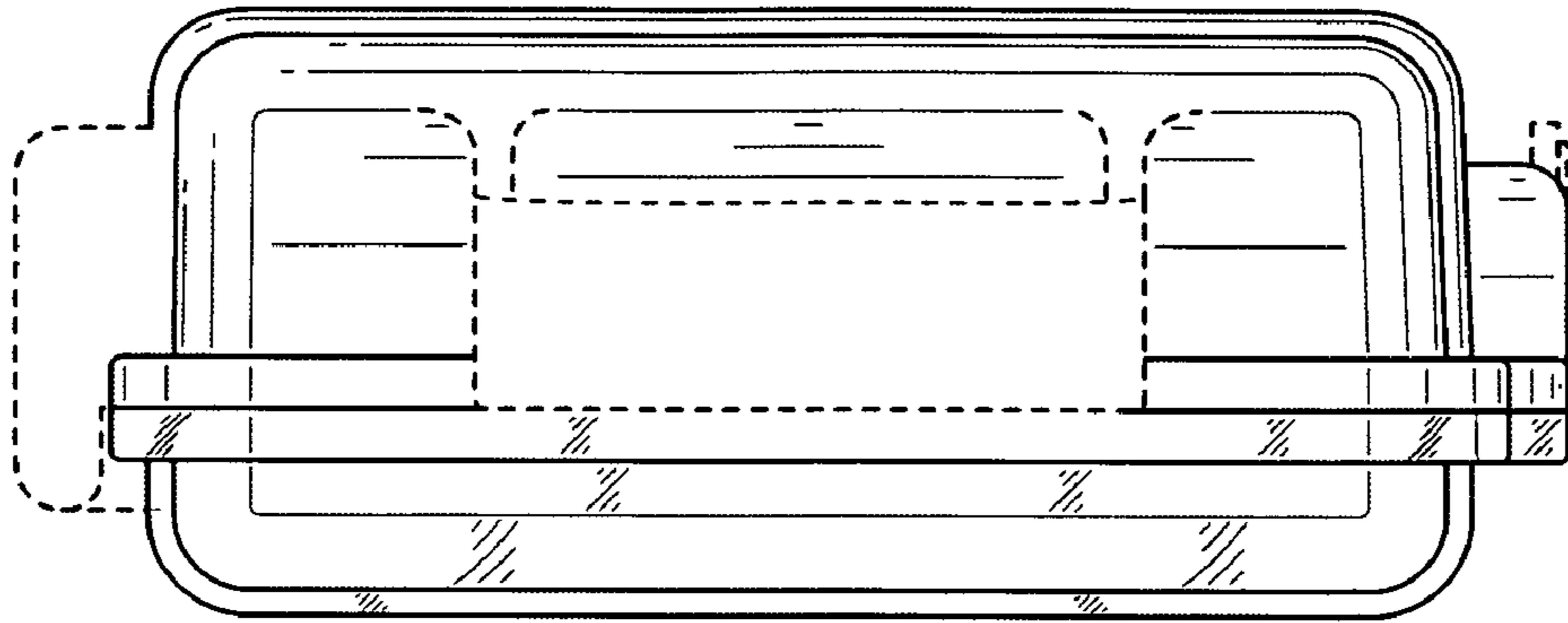


FIG. 6

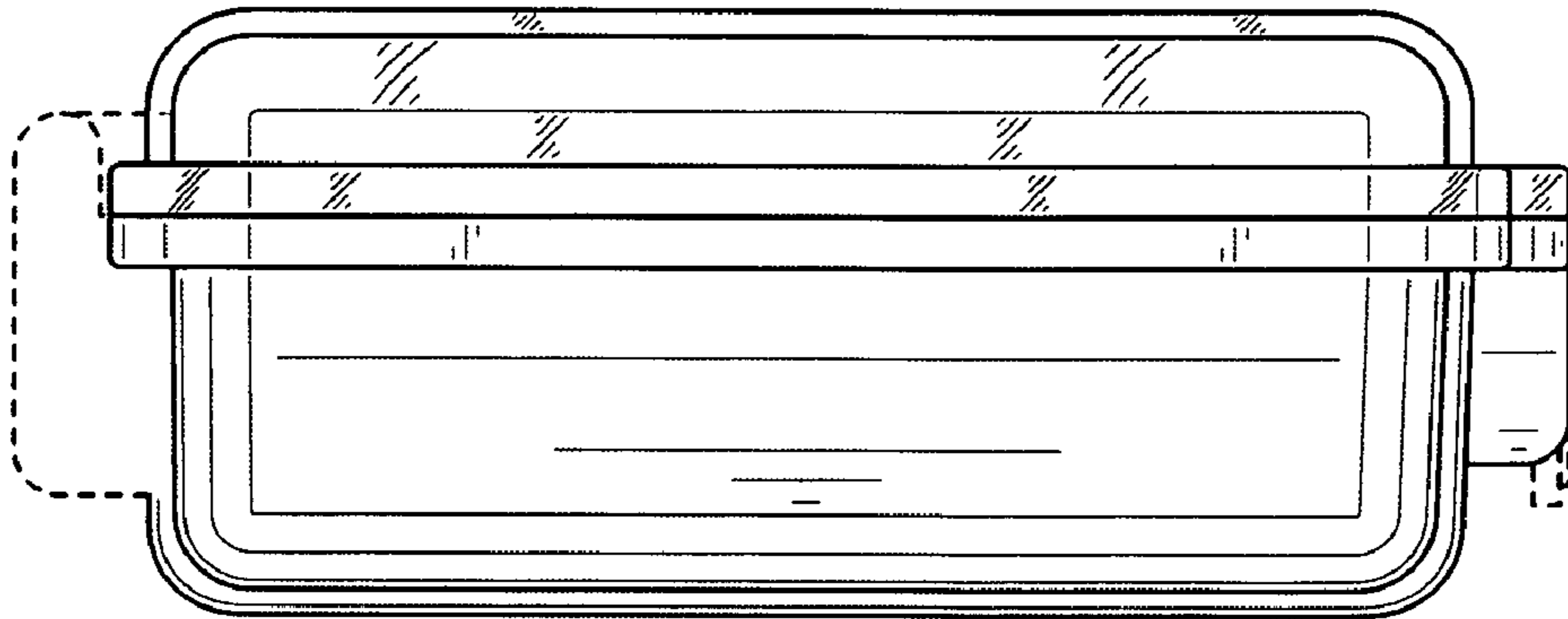


FIG. 7