

US00D668872S

(12) **United States Design Patent**
Fair et al.

(10) **Patent No.:** **US D668,872 S**
(45) **Date of Patent:** **** Oct. 16, 2012**

(54) **CARRYING CASE**
(75) Inventors: **Paul Fair**, Denver, CO (US); **Nathan Zwetzig**, Westminster, CO (US)
(73) Assignee: **Thule Organization Solutions, Inc.**, Longmont, CO (US)
(**) Term: **14 Years**

D594,659 S 6/2009 Lown et al.
D612,606 S 3/2010 Waldeck
D613,054 S 4/2010 Morszeck
D624,318 S 9/2010 Williams et al.
D628,384 S * 12/2010 McCarthy D3/289
D643,214 S * 8/2011 Weedon et al. D3/276
D643,626 S 8/2011 Swartz et al.
D646,061 S * 10/2011 Chang D3/323
D646,892 S 10/2011 Littleton
D652,214 S 1/2012 Swartz et al.
D660,592 S 5/2012 Mecchella

(21) Appl. No.: **29/423,243**

(22) Filed: **May 30, 2012**

Related U.S. Application Data

(62) Division of application No. 29/402,841, filed on Sep. 28, 2011.

(51) **LOC (9) Cl.** **28-03**

(52) **U.S. Cl.** **D3/289; D3/301**

(58) **Field of Classification Search** D3/273,
D3/276, 280, 283-293, 300, 301, 303, 299;
206/320; 190/100-127, 900-903; 150/106-108,
150/110-112, 118, 127-130; D14/250, 440,
D14/238.1

See application file for complete search history.

(56) **References Cited**

U.S. PATENT DOCUMENTS

D345,647 S 4/1994 Luxon
6,691,843 B2 2/2004 Nykoluk et al.
D497,051 S 10/2004 Nieves
D499,772 S 12/2004 Creech
D500,204 S 12/2004 Hillman
6,896,134 B2 * 5/2005 Russell et al. 206/320
D518,293 S 4/2006 Lam
D529,717 S * 10/2006 Brancky D3/285
D531,409 S 11/2006 Tullmann et al.
D568,047 S * 5/2008 Brancky D3/284
D574,615 S * 8/2008 Picot et al. D3/289

OTHER PUBLICATIONS

U.S. Appl. No. 29/402,187, filed Sep. 21, 2011, Fair.
U.S. Appl. No. 29/402,188, filed Sep. 21, 2011, Fair.
U.S. Appl. No. 29/402,198, filed Sep. 21, 2011, Fair.
U.S. Appl. No. 29/402,841, filed Sep. 28, 2011, Fair.

* cited by examiner

Primary Examiner — Jennifer Rivard

(74) *Attorney, Agent, or Firm* — Sheridan Ross P.C.

(57) **CLAIM**

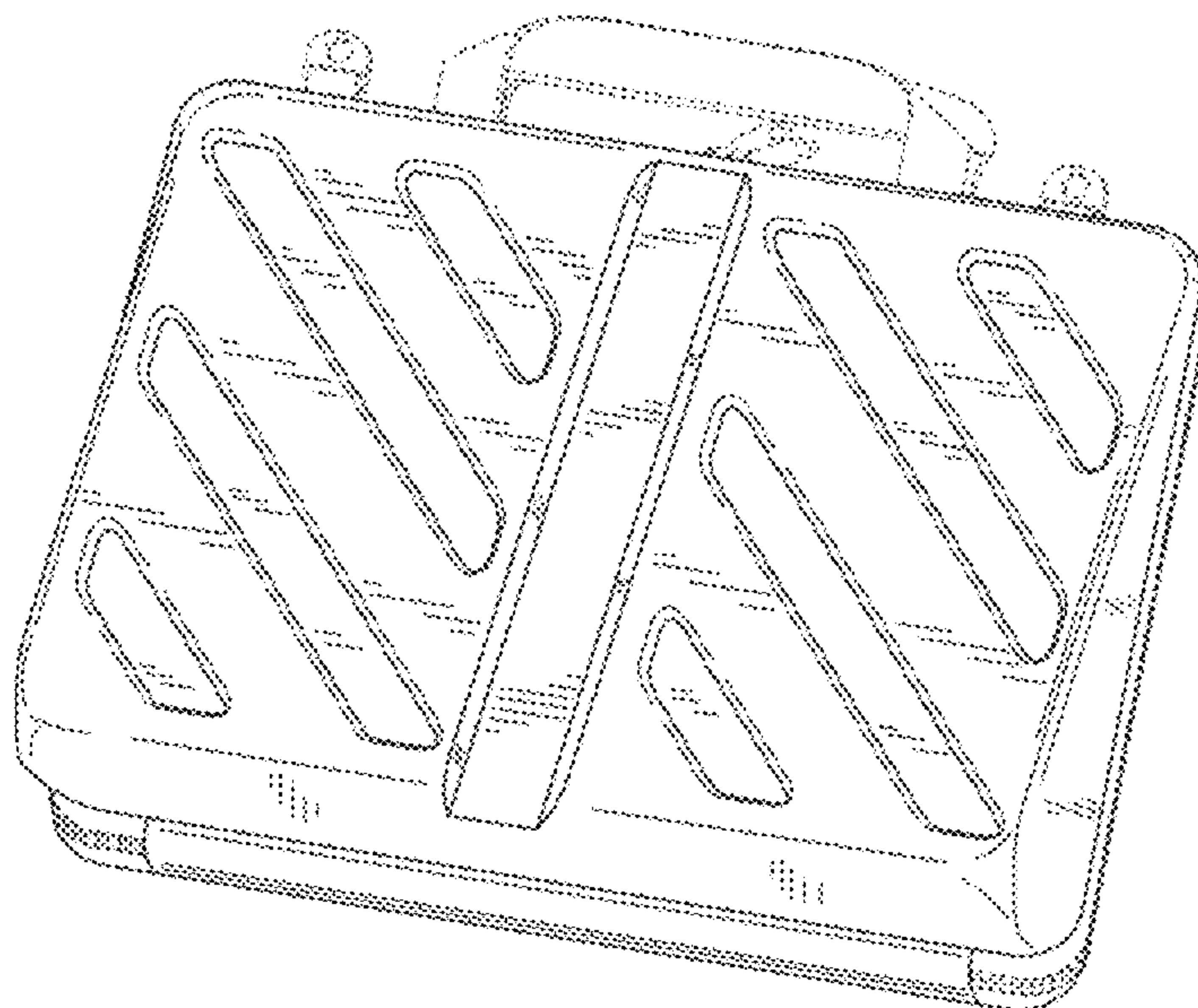
The ornamental design for a carrying case, as shown and described.

DESCRIPTION

FIG. 1 is a front perspective view of the carrying case;
FIG. 2 is a front elevation view thereof;
FIG. 3 is a rear elevation view thereof;
FIG. 4 is a right elevation view thereof;
FIG. 5 is a left elevation view thereof;
FIG. 6 is a top plan view thereof; and,
FIG. 7 is a bottom plan view thereof.

The broken line showing of a carrying case is included for the purpose of illustrating environment and forms no part of the claimed design.

1 Claim, 5 Drawing Sheets



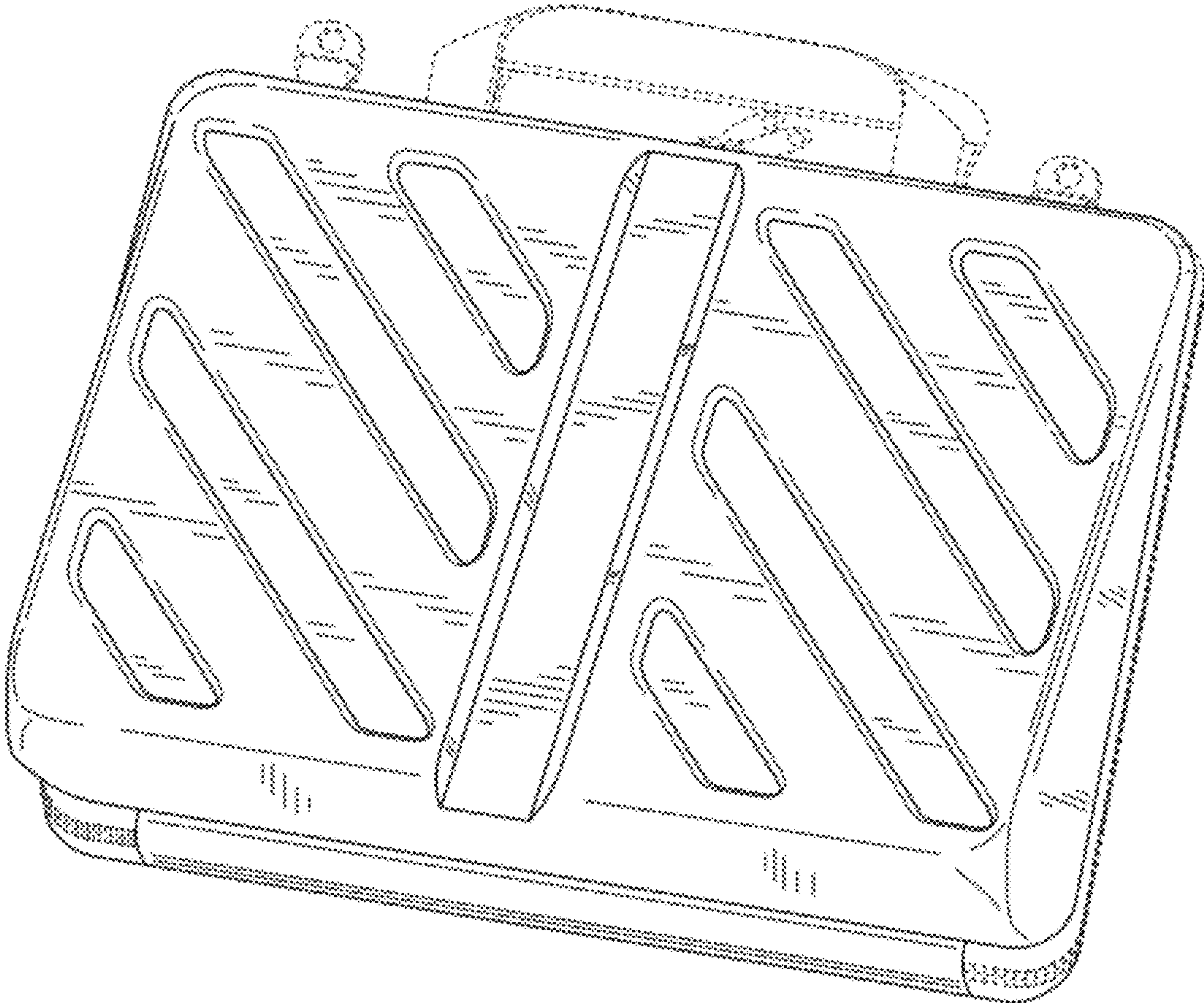


FIG.1

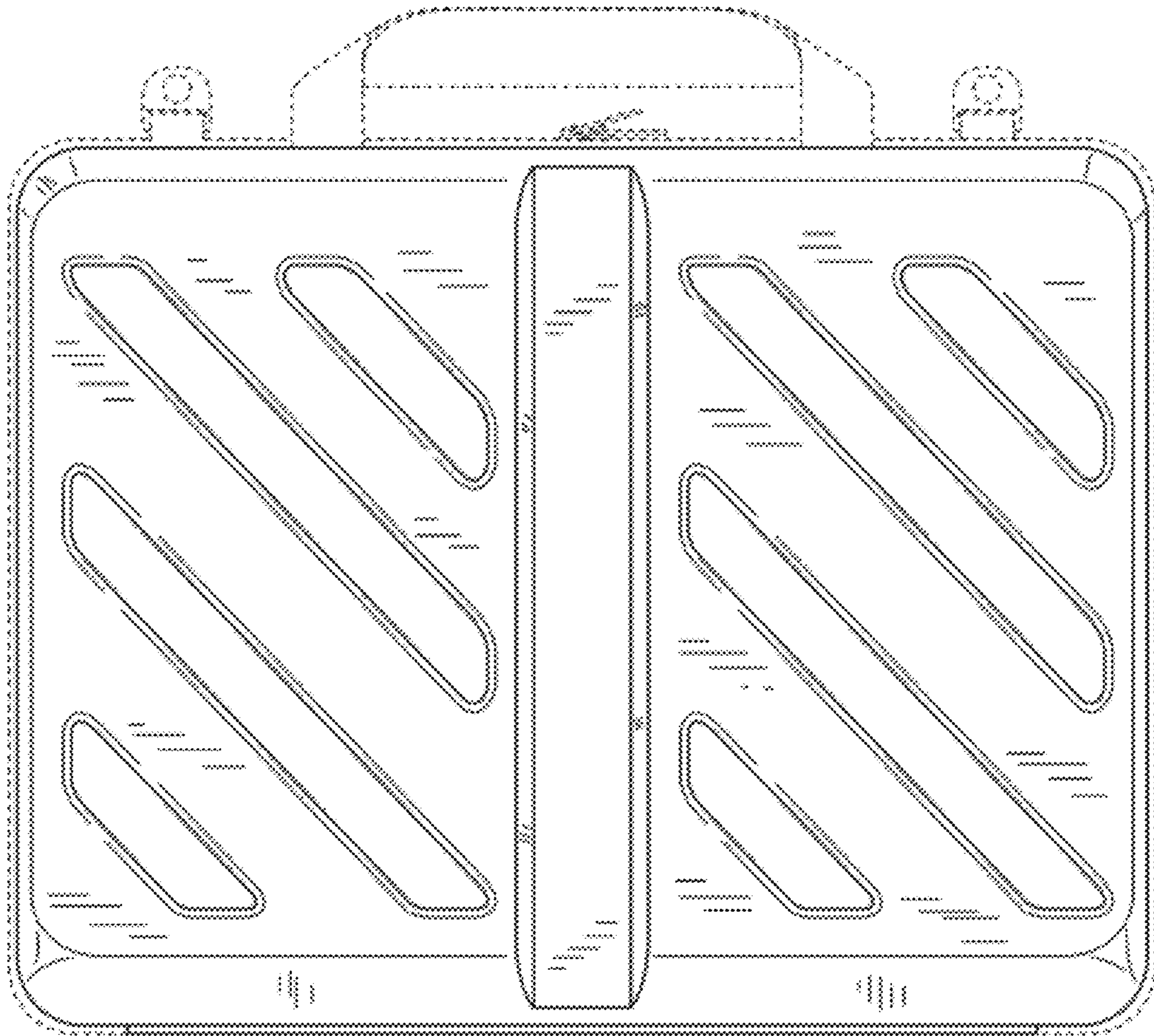


FIG.2

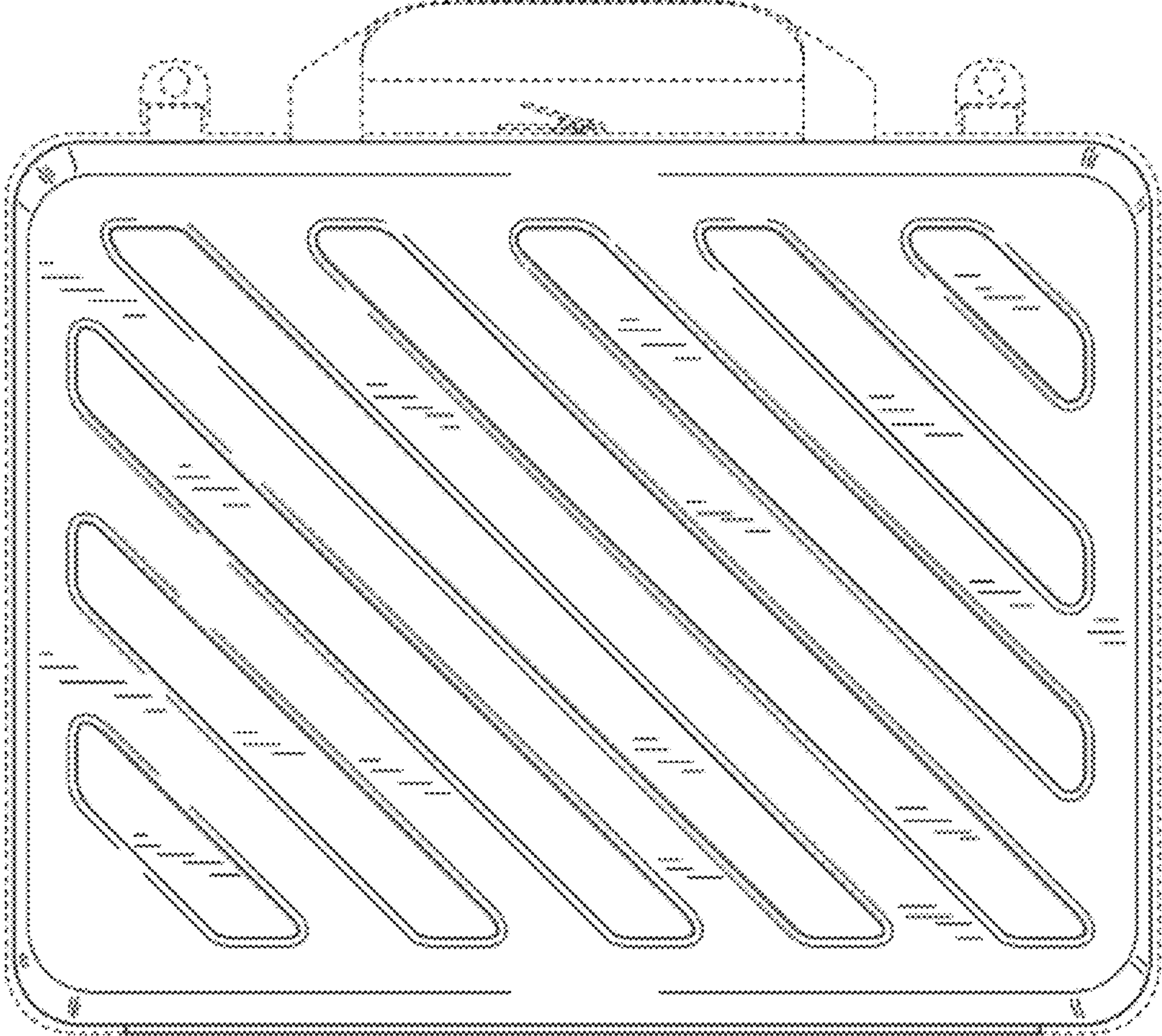


FIG.3

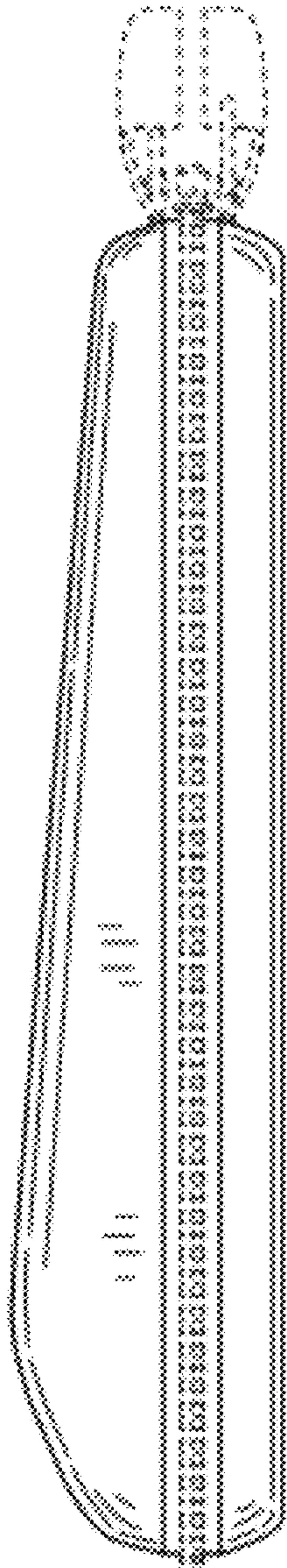


FIG. 4

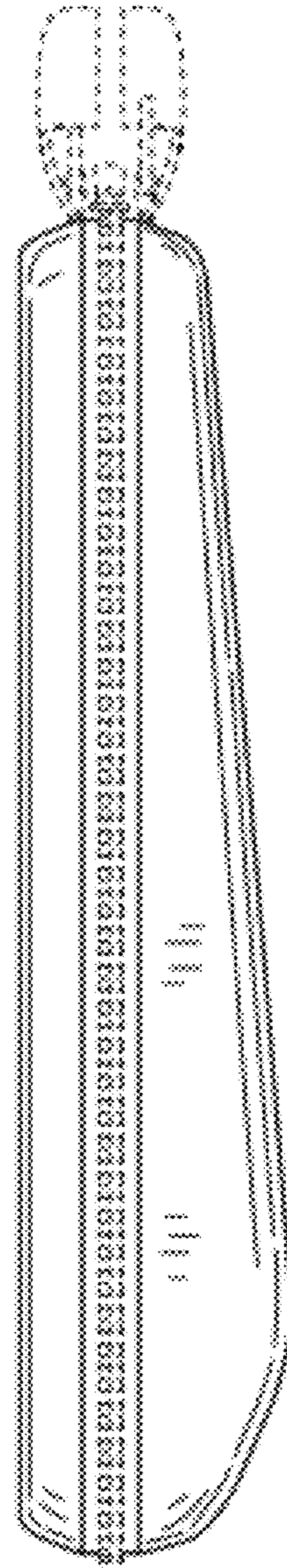


FIG. 5

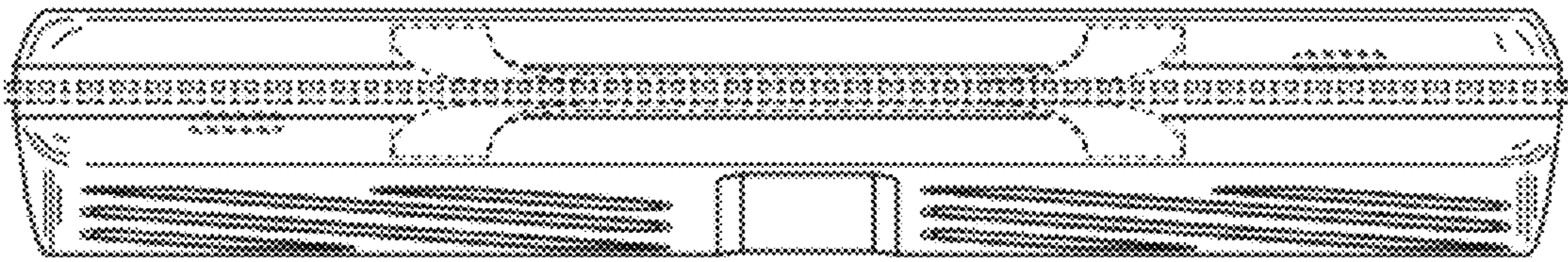


FIG. 6

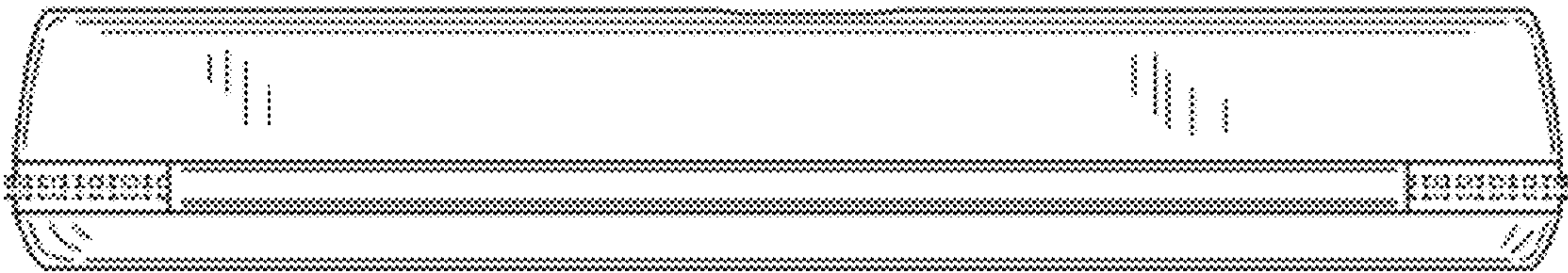


FIG. 7