

US00D668870S

(12) **United States Design Patent**  
**Robinson et al.**

(10) **Patent No.:** **US D668,870 S**

(45) **Date of Patent:** **\*\* Oct. 16, 2012**

(54) **TOOL CASE**

(75) Inventors: **Glenn Robinson**, Parkland, FL (US);  
**Francisco Molina**, Sunrise, FL (US)

(73) Assignee: **IBT Holdings, LLC**, Deerfield Beach,  
FL (US)

(\*\*) Term: **14 Years**

(21) Appl. No.: **29/395,602**

(22) Filed: **Feb. 28, 2012**

(51) **LOC (9) Cl.** ..... **03-01**

(52) **U.S. Cl.** ..... **D3/282; D3/288; D3/905**

(58) **Field of Classification Search** ..... 206/349,  
206/372-379; 220/523-528, 23.4; D3/273,  
D3/276, 280-288, 291-297, 900-905; 211/70.6  
See application file for complete search history.

(56) **References Cited**

**U.S. PATENT DOCUMENTS**

D588,806 S *	3/2009	Thompson et al.	.....	D3/260
D622,059 S *	8/2010	Deguglimo et al.	.....	D3/274
D622,506 S *	8/2010	Deguglimo et al.	.....	D3/294
D639,053 S *	6/2011	Molina et al.	.....	D3/274

D639,060 S *	6/2011	Molina et al.	.....	D3/282
D639,061 S *	6/2011	Molina et al.	.....	D3/282
D639,062 S *	6/2011	Molina et al.	.....	D3/282
D657,210 S *	4/2012	Smiedt et al.	.....	D7/709

\* cited by examiner

*Primary Examiner* — Jennifer Rivard

(74) *Attorney, Agent, or Firm* — Dan DeLaRosa

(57) **CLAIM**

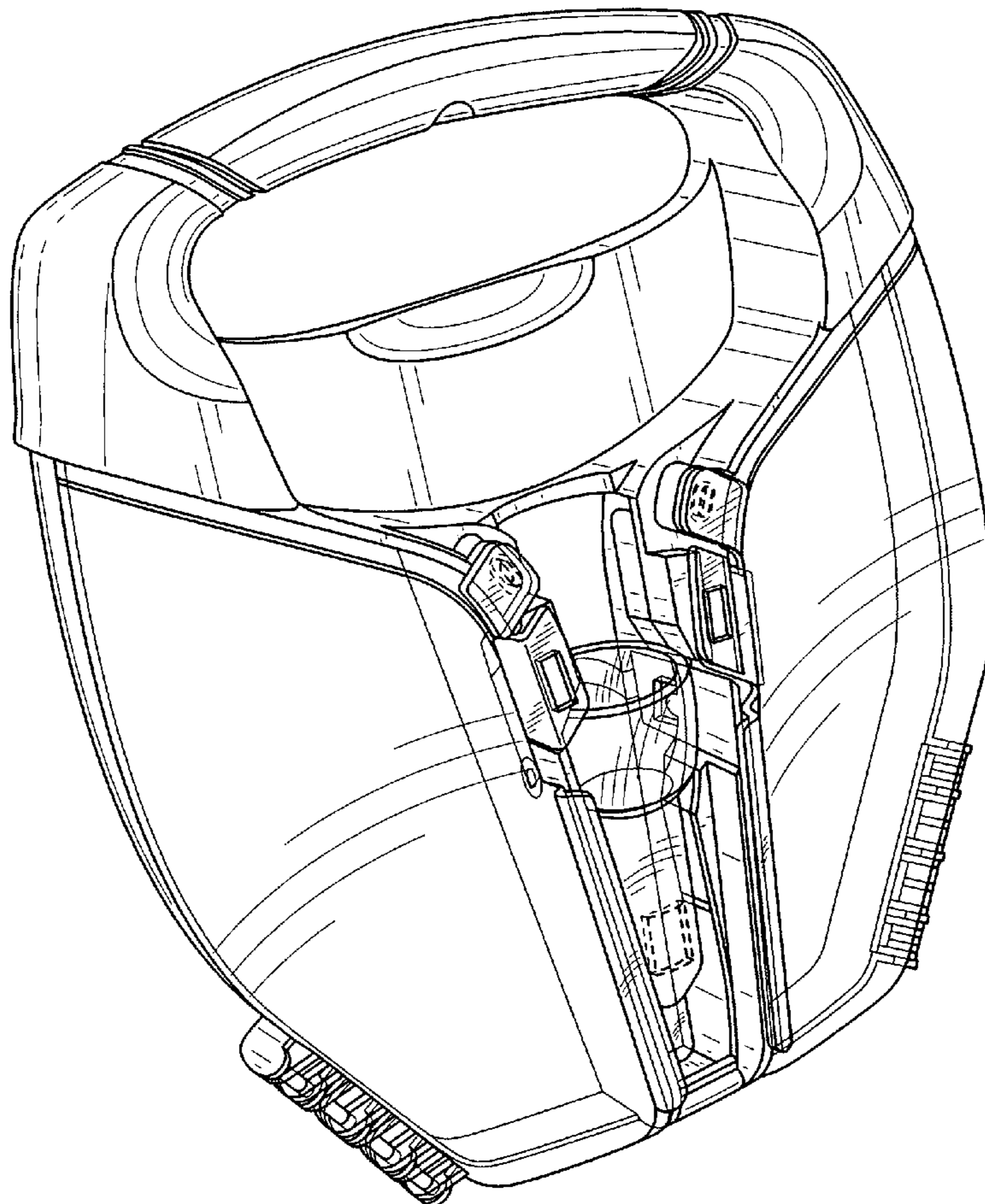
The ornamental design for a tool case, as shown and described.

**DESCRIPTION**

FIG. 1 is a front perspective view of the tool case of the present invention showing my new design; FIG. 2 is a front side elevational view thereof; FIG. 3 is a back side elevational view thereof; FIG. 4 is a side elevational view thereof; FIG. 5 is another side elevational view thereof; FIG. 6 is a top plan view thereof; and, FIG. 7 is a bottom plan view thereof.

The broken lines shown in the drawings illustrate portions of the article and form no part of the claimed design.

**1 Claim, 5 Drawing Sheets**



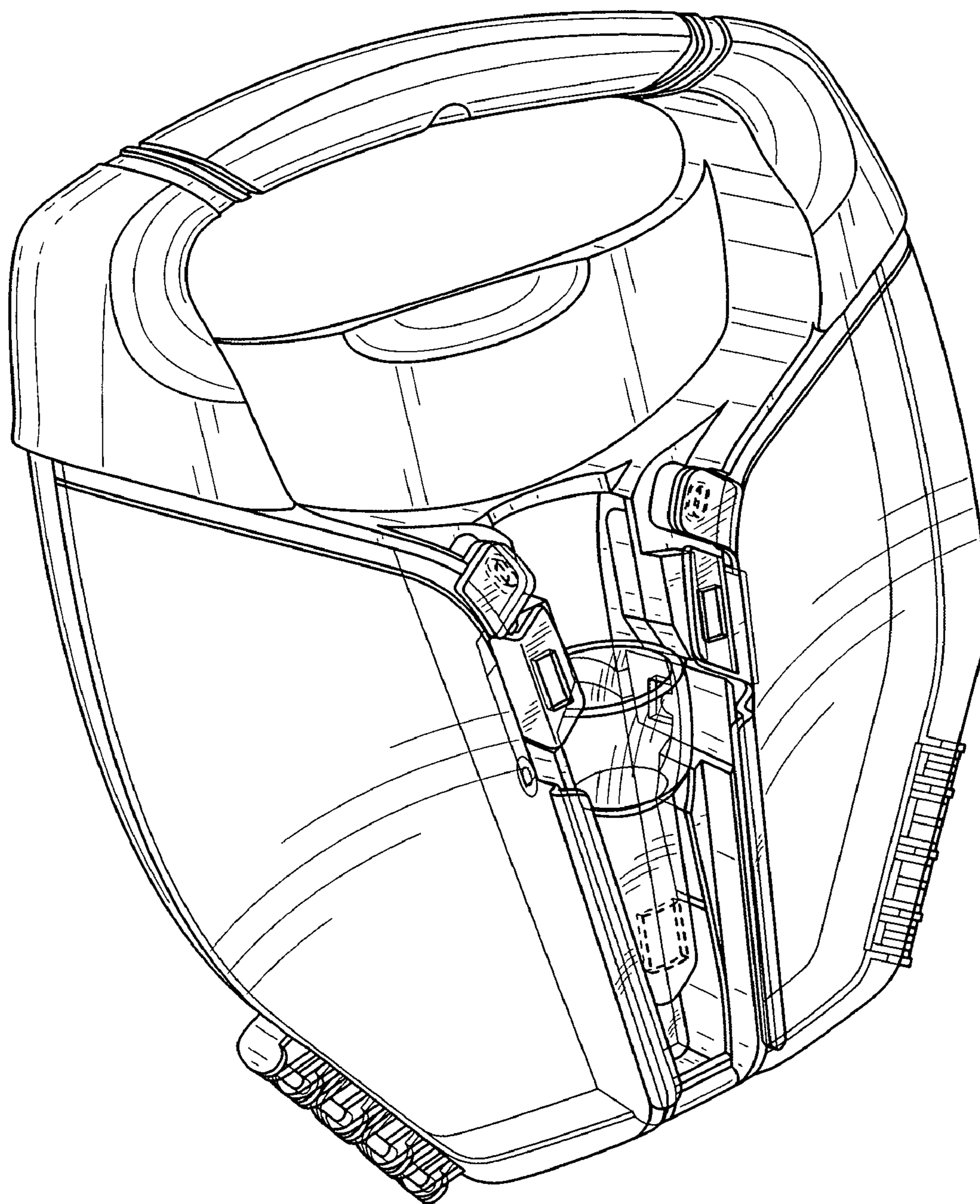


FIG. 1

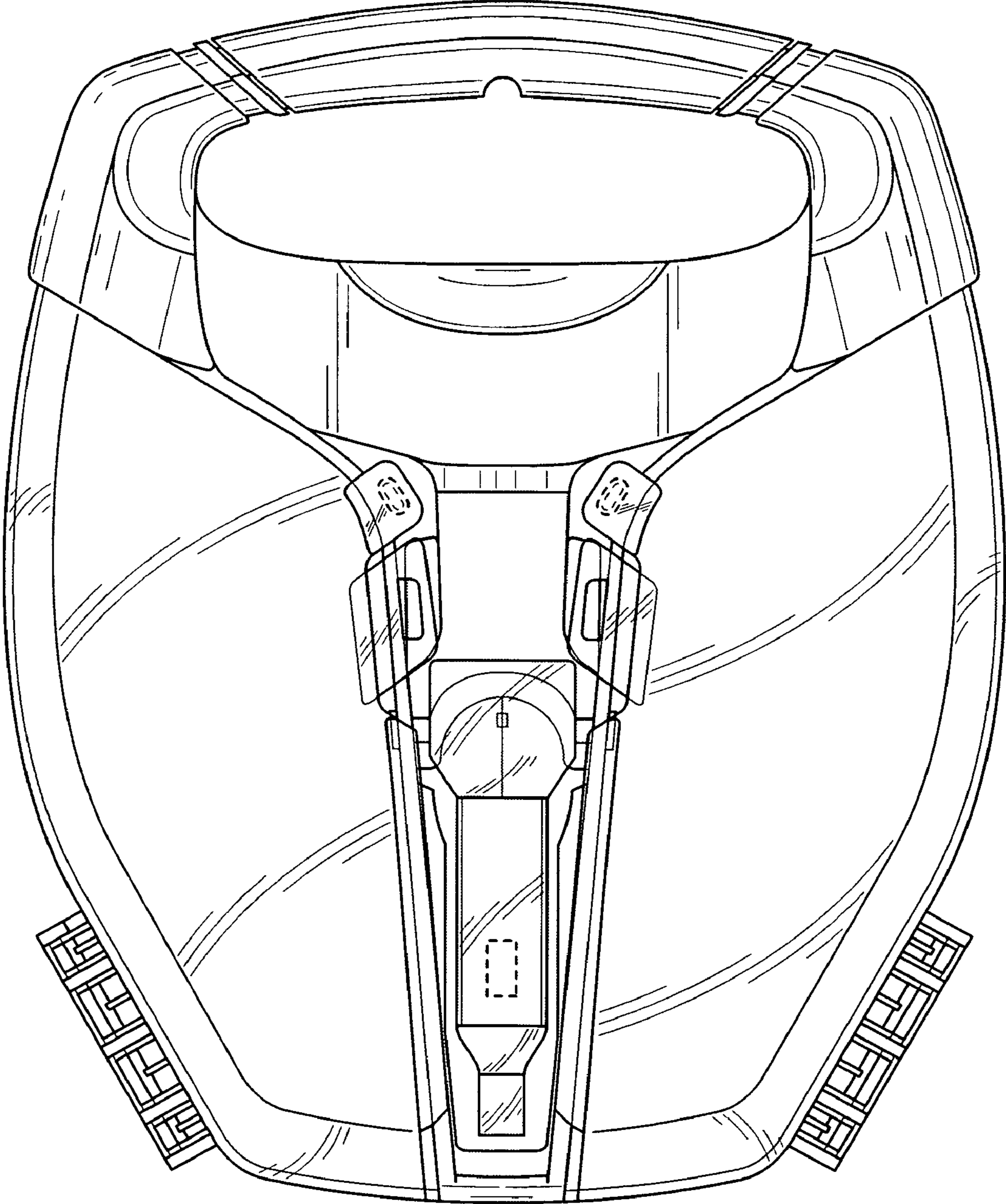


FIG. 2

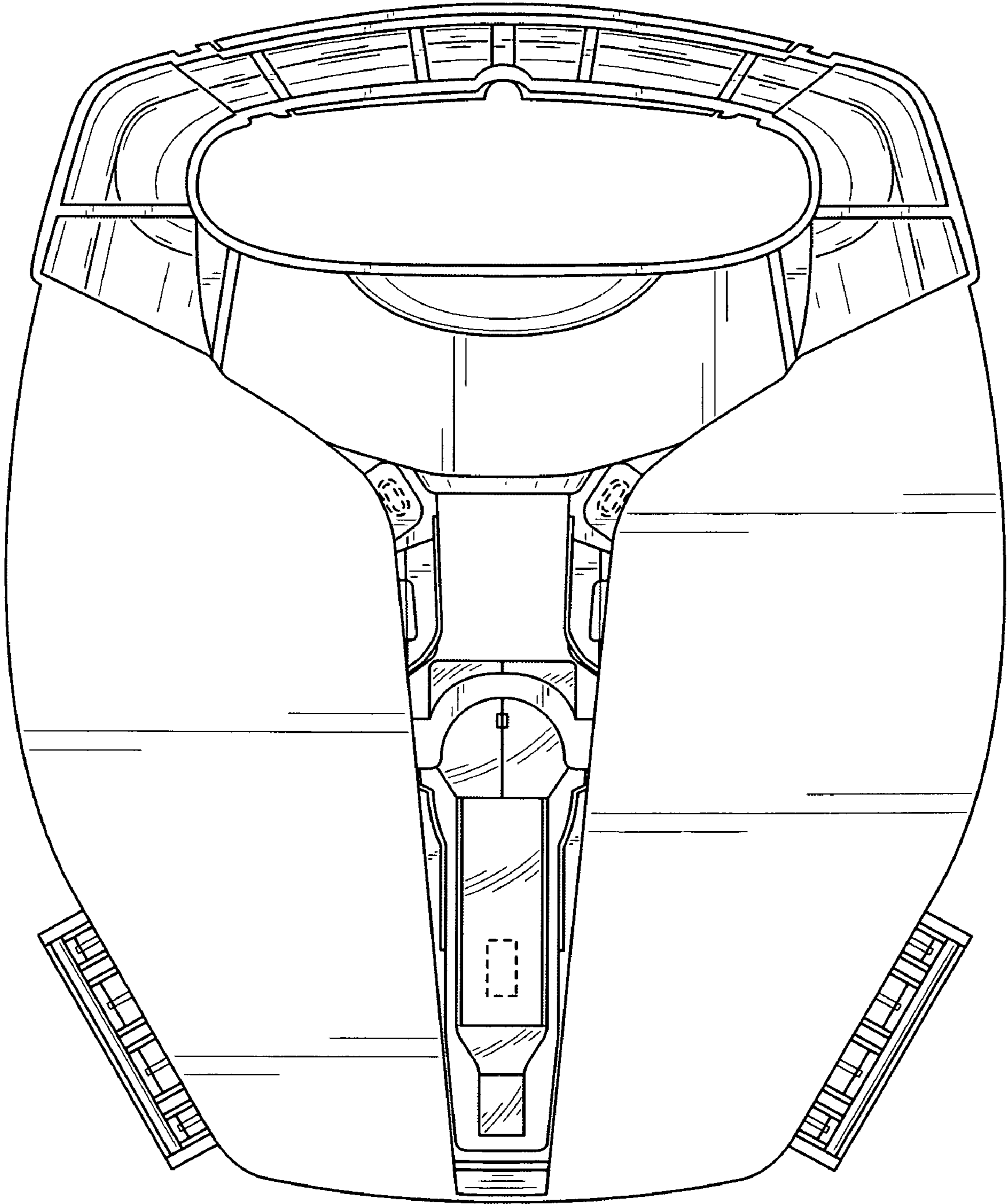


FIG. 3

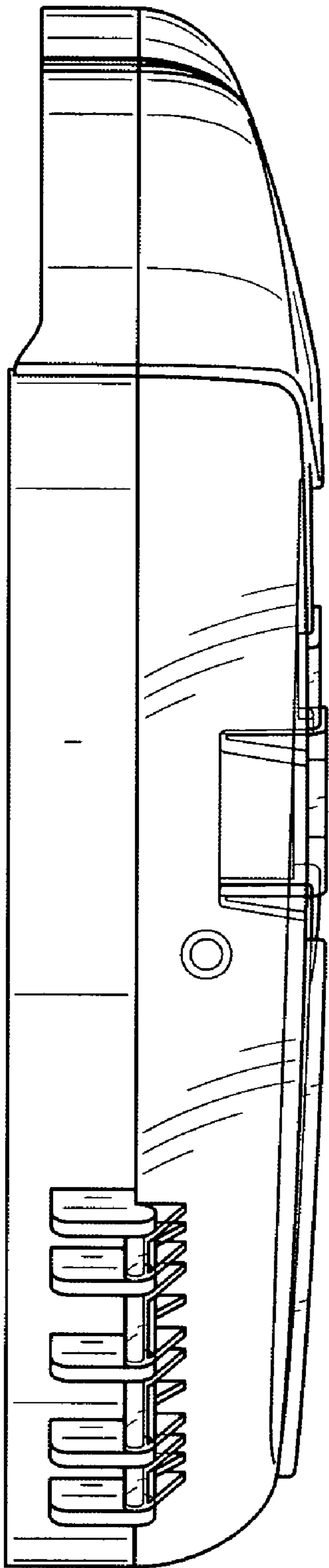


FIG. 4

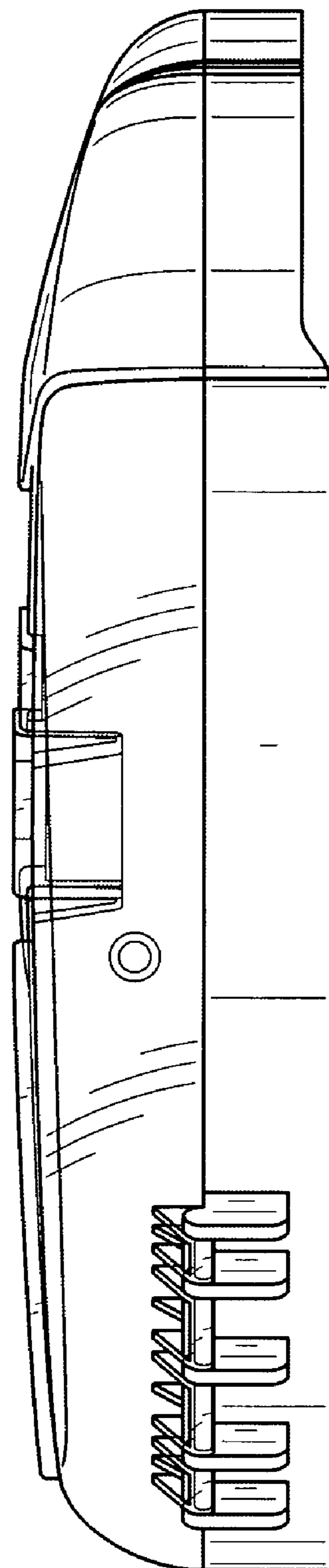


FIG. 5

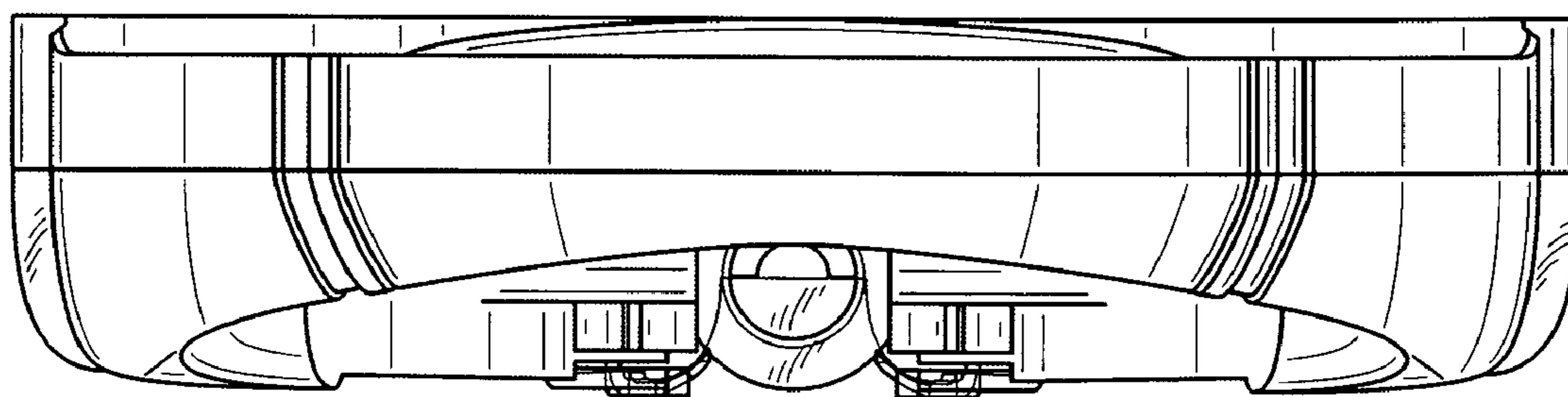


FIG. 6

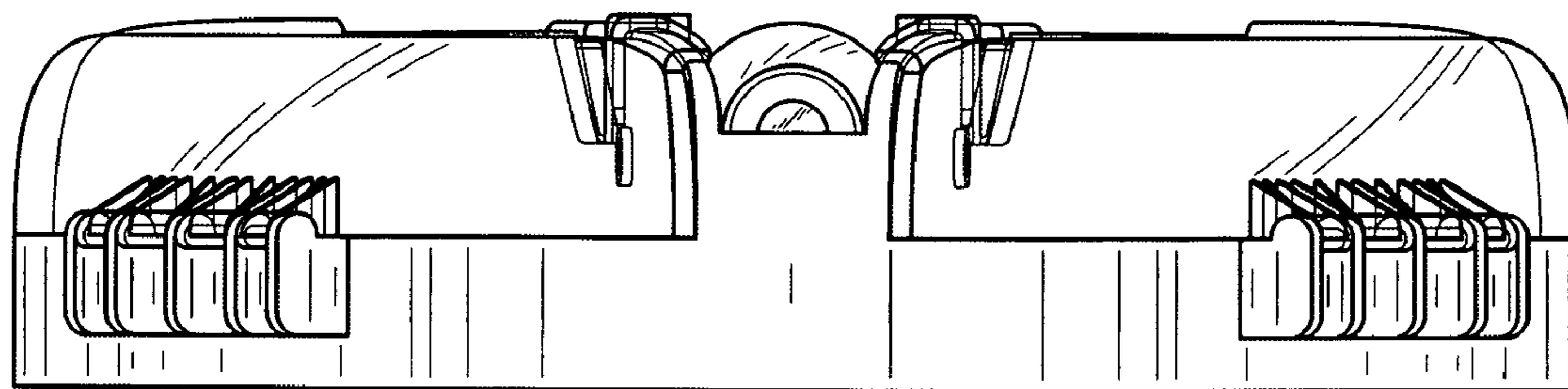


FIG. 7