



US00D668868S

(12) **United States Design Patent**
Lehovetzki

(10) **Patent No.:** **US D668,868 S**
(45) **Date of Patent:** **** Oct. 16, 2012**

(54) **TOOL STORAGE BOX**

(75) Inventor: **Axel Lehovetzki**, Les Lilas (FR)

(73) Assignee: **Stanley Works (Europe) GmbH**,
Duebendorf (CH)

(**) Term: **14 Years**

(21) Appl. No.: **29/413,406**

(22) Filed: **Feb. 15, 2012**

(30) **Foreign Application Priority Data**

Aug. 16, 2011 (EM) 001289250

(51) **LOC (9) Cl.** **03-01**

(52) **U.S. Cl.** **D3/281**; D3/294; D3/905

(58) **Field of Classification Search** 206/349,
206/372-379; 220/523-528, 23.4; D3/273,
D3/276, 280-288, 291-297, 900-905; 211/70.6
See application file for complete search history.

(56) **References Cited**

U.S. PATENT DOCUMENTS

D473,713 S * 4/2003 Chen D3/282
D483,180 S * 12/2003 Chen D3/282

D530,914 S * 10/2006 Jansson et al. D3/282
D555,902 S * 11/2007 Pendergraph et al. D3/273
D617,987 S * 6/2010 Wang D3/294
D639,059 S * 6/2011 Fraiman et al. D3/282

* cited by examiner

Primary Examiner — Jennifer Rivard

(74) *Attorney, Agent, or Firm* — Michael P. Leary

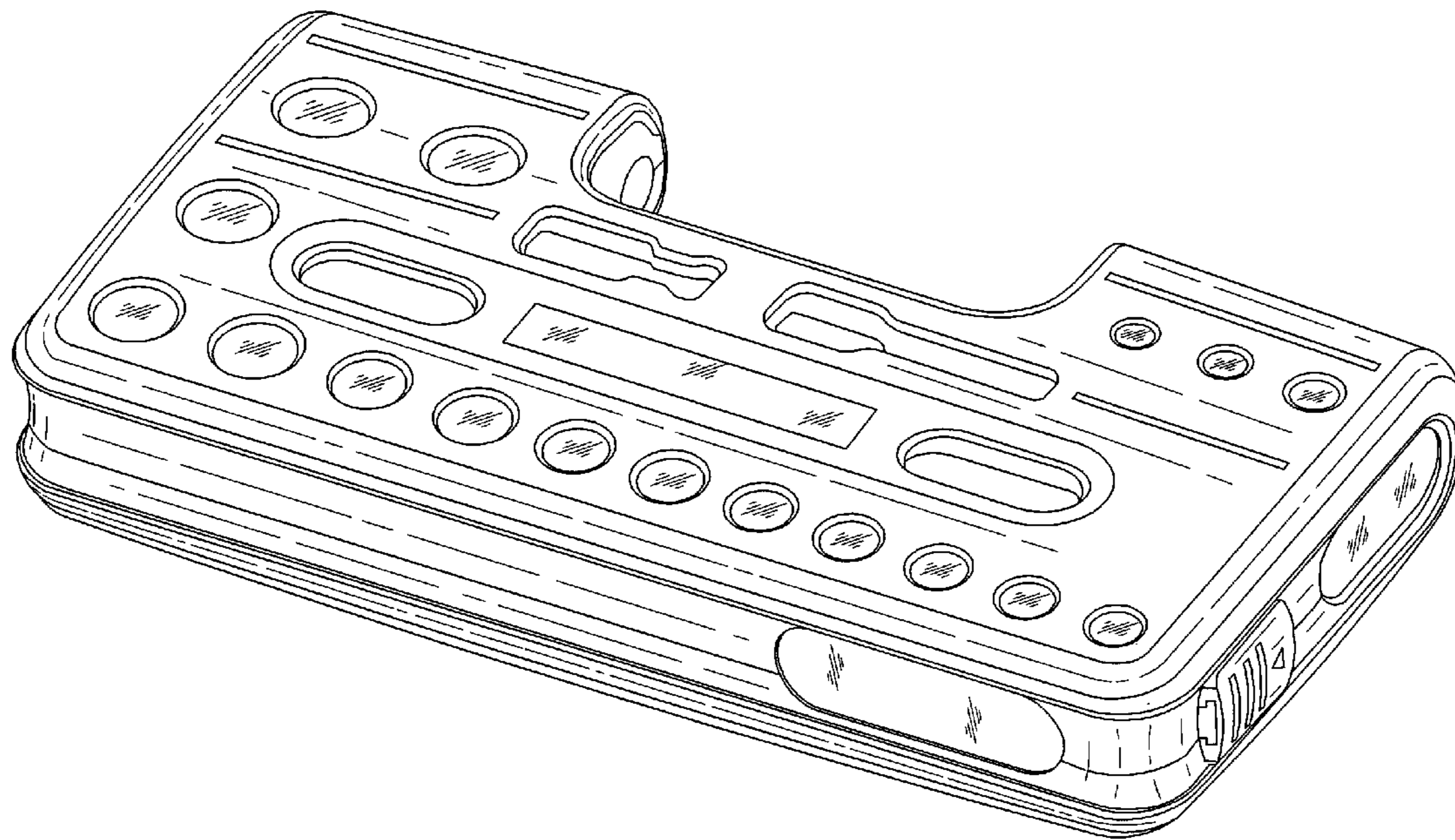
(57) **CLAIM**

The ornamental design for a tool storage box, as shown and described.

DESCRIPTION

FIG. 1 is a perspective view of a tool storage box according to the present invention;
FIG. 2 is a top view thereof;
FIG. 3 is a bottom view thereof;
FIG. 4 is a front view thereof;
FIG. 5 is a rear view thereof;
FIG. 6 is a left side view thereof; and,
FIG. 7 is a right side view thereof.

1 Claim, 4 Drawing Sheets



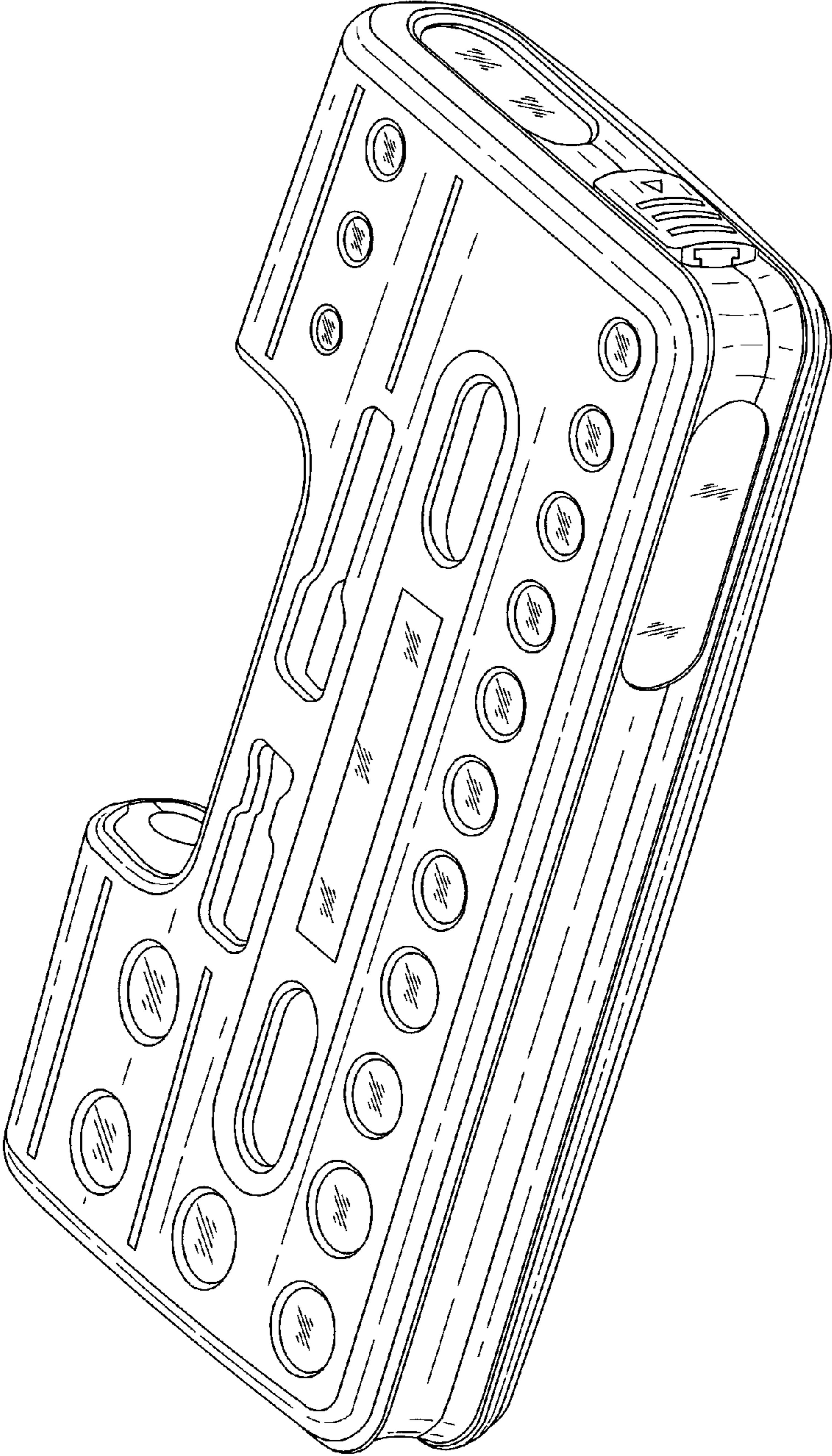


FIG.1

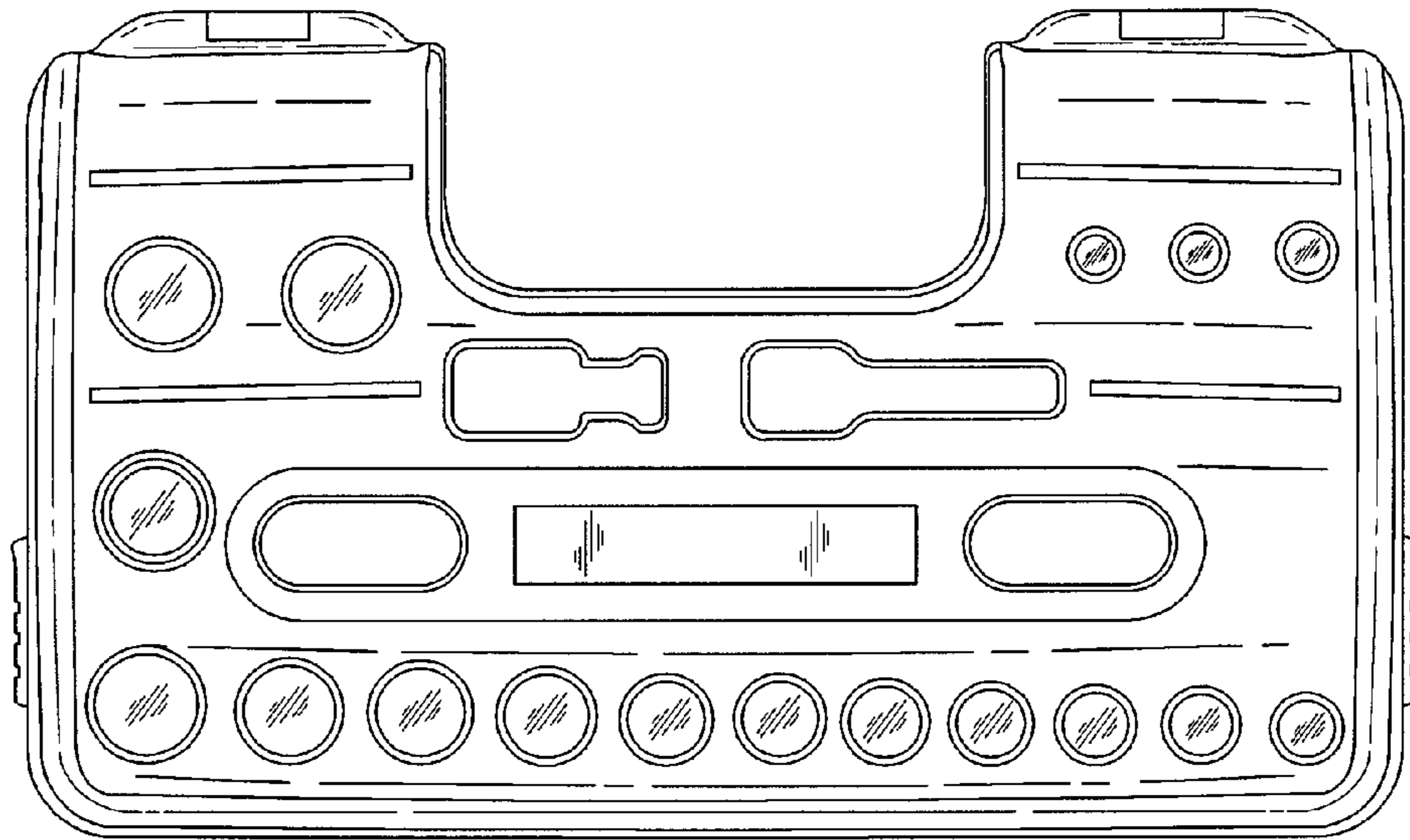


FIG. 2

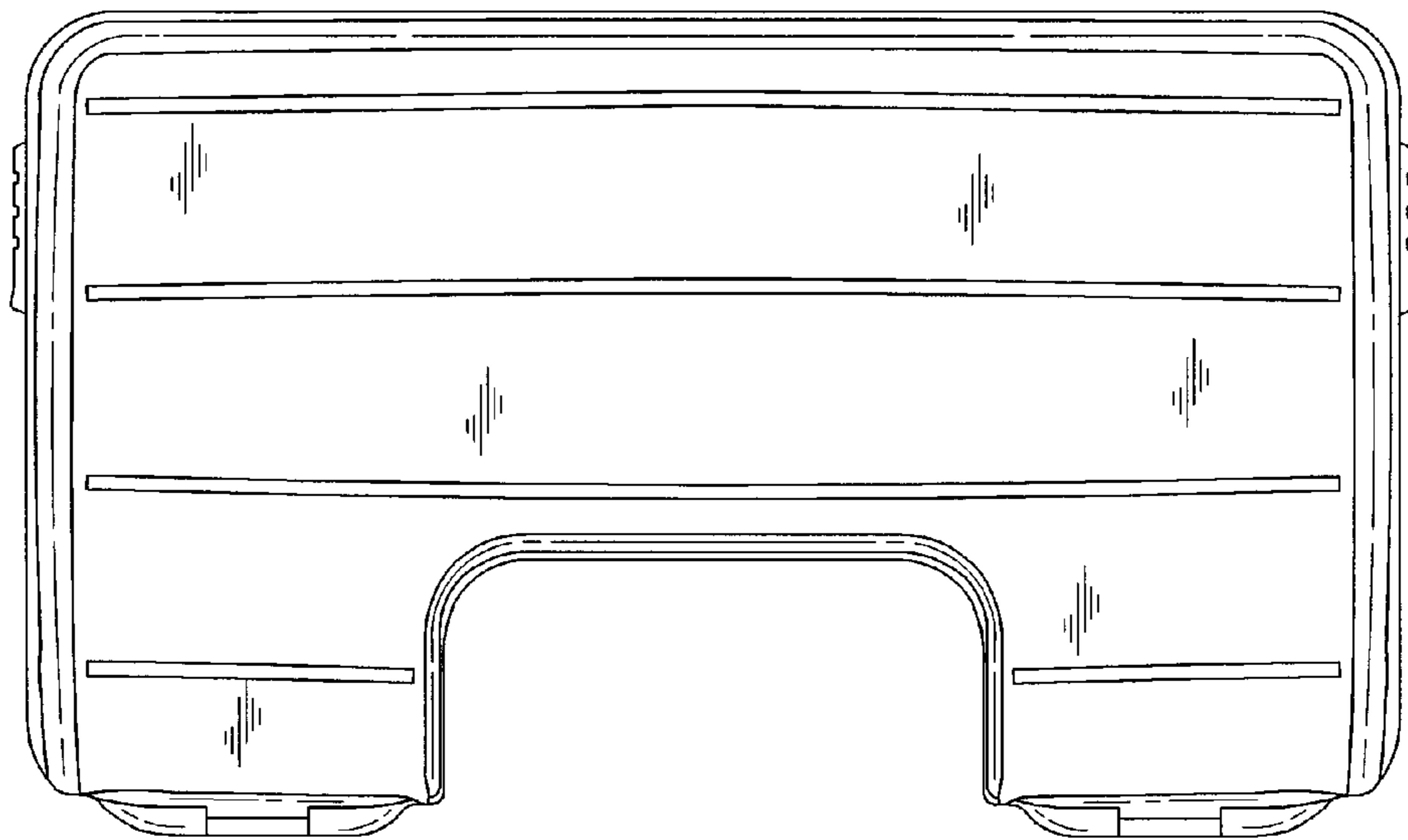


FIG. 3

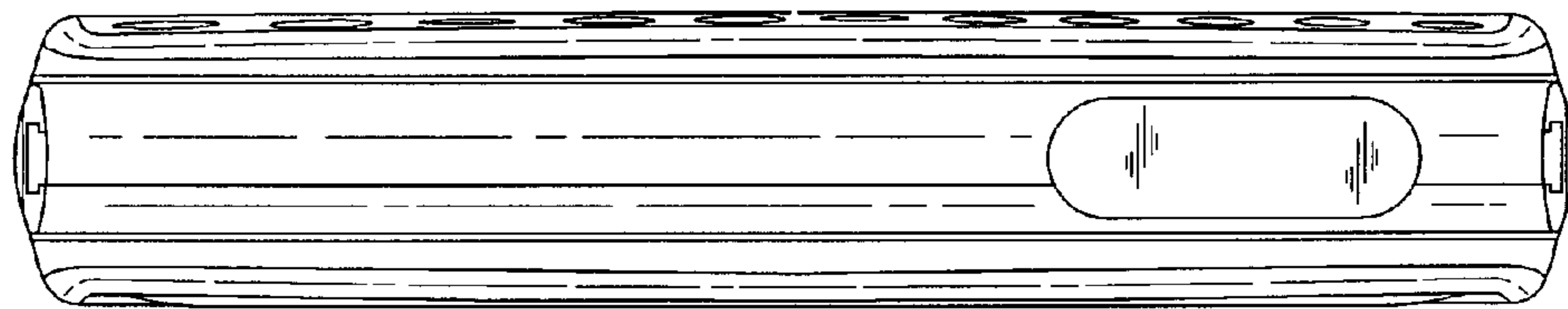


FIG. 4

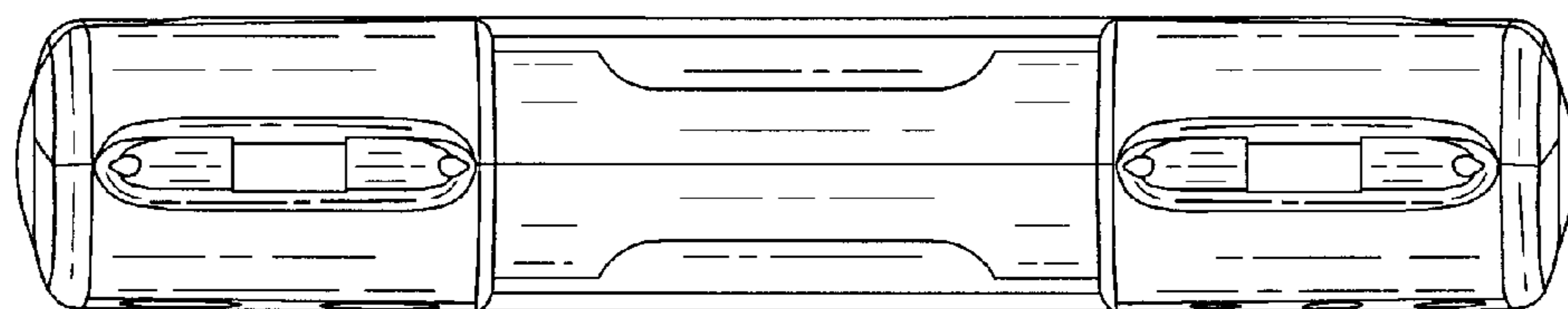


FIG. 5

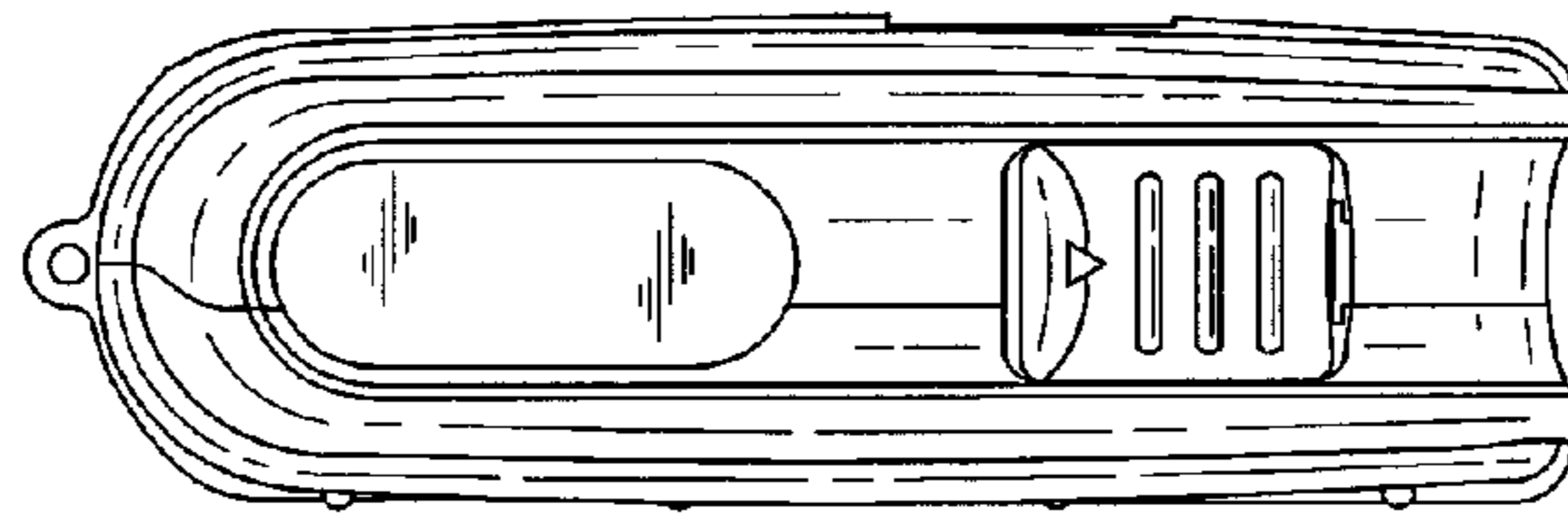


FIG. 6

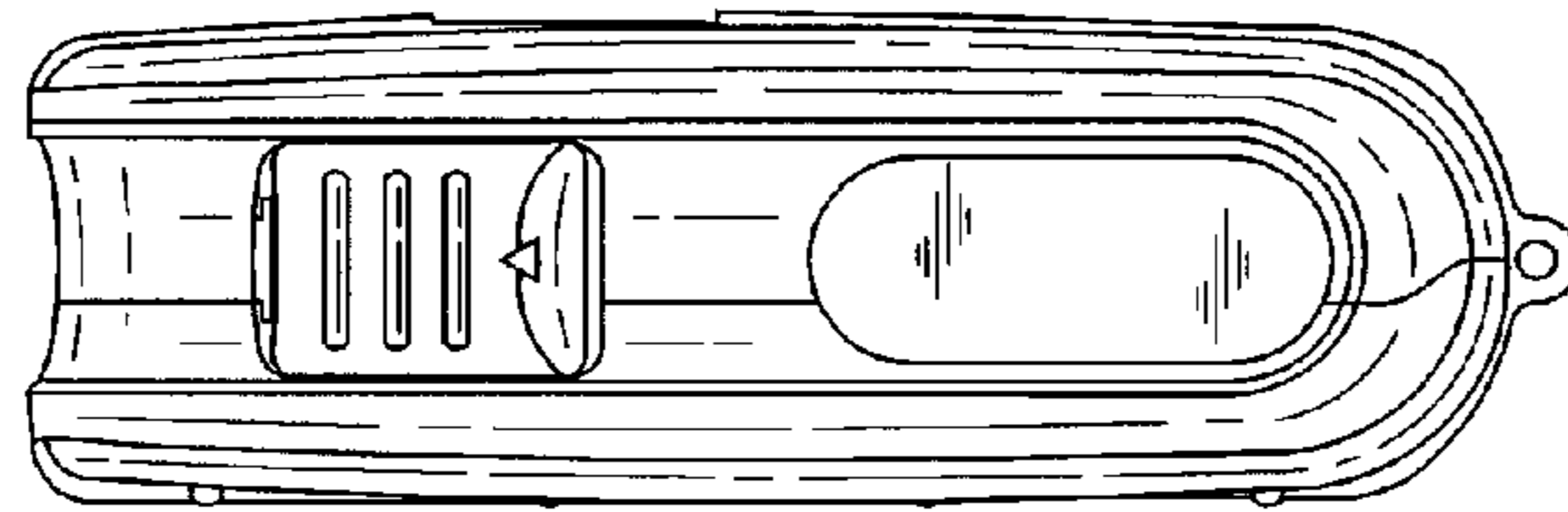


FIG. 7