



US00D668867S

(12) **United States Design Patent**
Yamamot

(10) **Patent No.:** **US D668,867 S**
(45) **Date of Patent:** **** Oct. 16, 2012**

(54) **TOOL BOX**

(75) Inventor: **Yuji Yamamot**, Anjo (JP)
(73) Assignee: **Makita Corporation**, Anjo-shi (JP)
(**) Term: **14 Years**
(21) Appl. No.: **29/390,702**

(22) Filed: **Apr. 28, 2011**

(30) **Foreign Application Priority Data**

Jan. 25, 2011 (JP) 2011-1338
Jan. 25, 2011 (JP) 2011-1339
Jan. 25, 2011 (JP) 2011-1340
Jan. 25, 2011 (JP) 2011-1341

(51) **LOC (9) Cl.** **03-01**
(52) **U.S. Cl.** **D3/281; D3/905**
(58) **Field of Classification Search** D3/254,
D3/260, 273, 276, 280, 283-291, 301, 302,
D3/303, 905; 220/523, 524, 527; 206/349,
206/372-379; 190/109, 111, 115, 107, 126,
190/903; D7/605

See application file for complete search history.

(56) **References Cited**

U.S. PATENT DOCUMENTS

D313,502 S * 1/1991 Vasky D3/284
D417,956 S * 12/1999 Story et al. D3/295
D493,616 S * 8/2004 Hardy D3/281
D523,242 S * 6/2006 Hardigg et al. D3/276
D527,181 S * 8/2006 Henning et al. D3/276
D627,967 S * 11/2010 Kuhls D3/273
D627,968 S * 11/2010 Brunner D3/281
D640,056 S * 6/2011 Twig et al. D3/281

FOREIGN PATENT DOCUMENTS

EP 0555533 B1 8/1994
EP 0916302 A3 6/1999

OTHER PUBLICATIONS

Japanese Office Action mailed Oct. 6, 2011 for the corresponding Japanese Design Application No. 2011-1338.
Japanese Office Action mailed Oct. 6, 2011 for the corresponding Japanese Design Application No. 2011-1339.
German Industrial Design Document No. M9200410.5; Published May 25, 1992; German Patent and Brand Office.

* cited by examiner

Primary Examiner — Jennifer Rivard
(74) *Attorney, Agent, or Firm* — Global IP Counselors, LLP

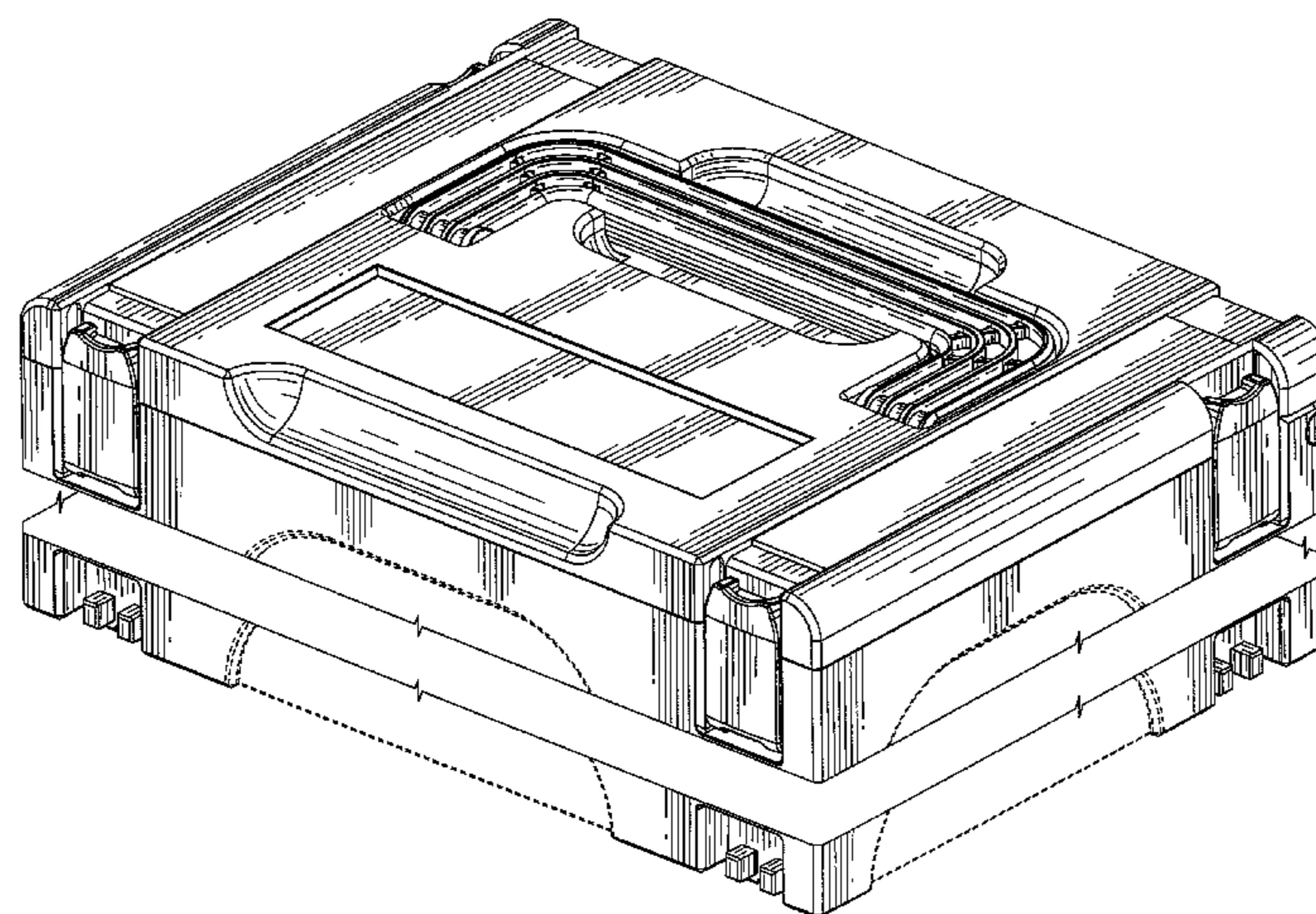
(57) **CLAIM**

The ornamental design for a tool box, as shown and described.

DESCRIPTION

FIG. 1 is a top, front and right side perspective view of a tool box in accordance with my new design;
FIG. 2 is a bottom, front left side perspective view of the tool box in accordance with my new design;
FIG. 3 is a front elevational view of the tool box in accordance with my new design;
FIG. 4 is a rear elevational view of the tool box in accordance with my new design;
FIG. 5 is a top plan view of the tool box in accordance with my new design;
FIG. 6 is a bottom plan view of the tool box in accordance with my new design;
FIG. 7 is a right side elevational view of the tool box in accordance with my new design; and,
FIG. 8 is a left side elevational view of the tool box in accordance with my new design.
The broken line showing of environment in FIGS. 1-4, 7 and 8 is for illustrative purposes only and forms no part of the claimed design.
In FIGS. 1-4, 7 and 8, the tool box is shown broken away by a break line to illustrate an indeterminate height of the tool box. The precise height of the tool box is not being claimed.

1 Claim, 6 Drawing Sheets



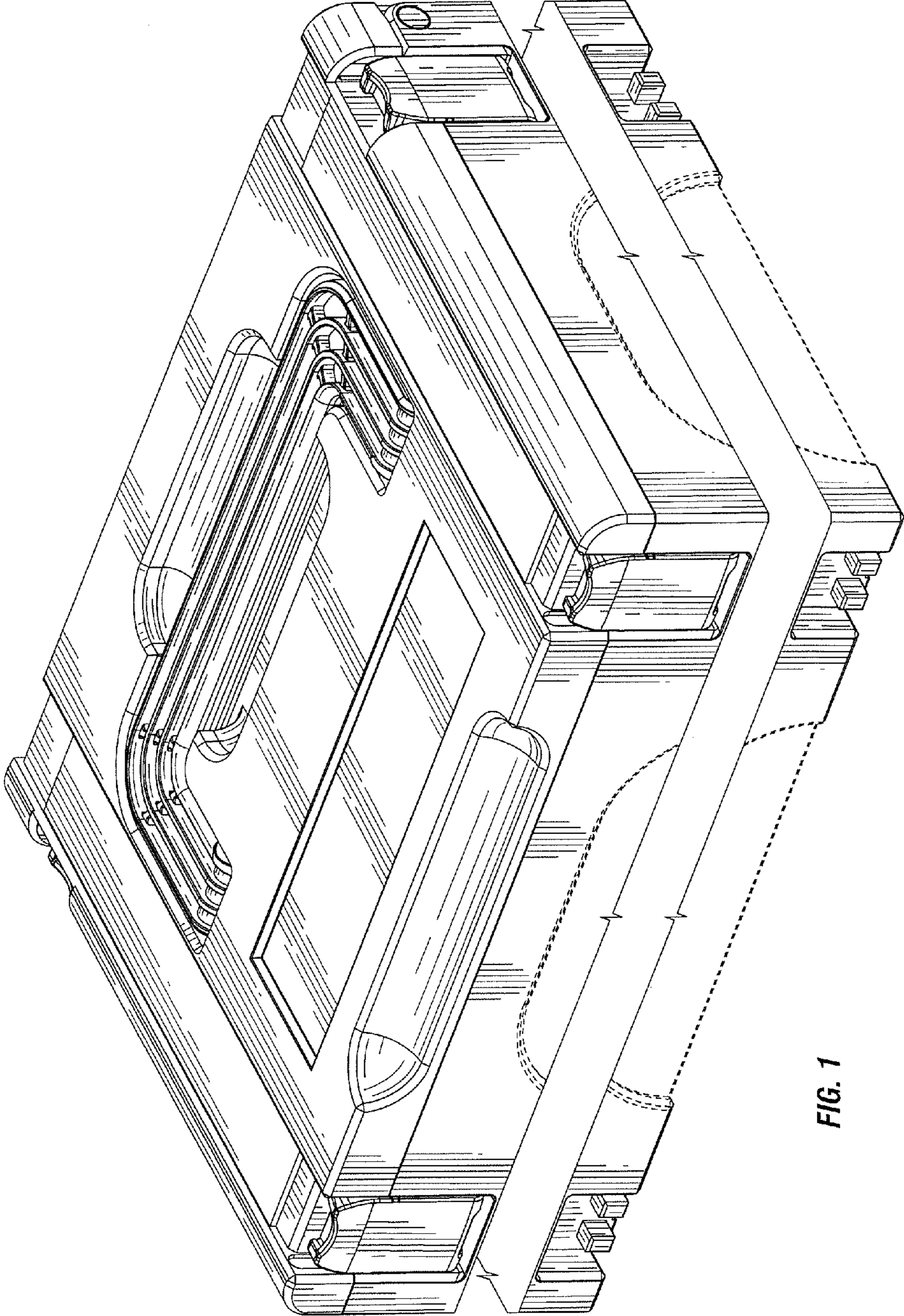


FIG. 1

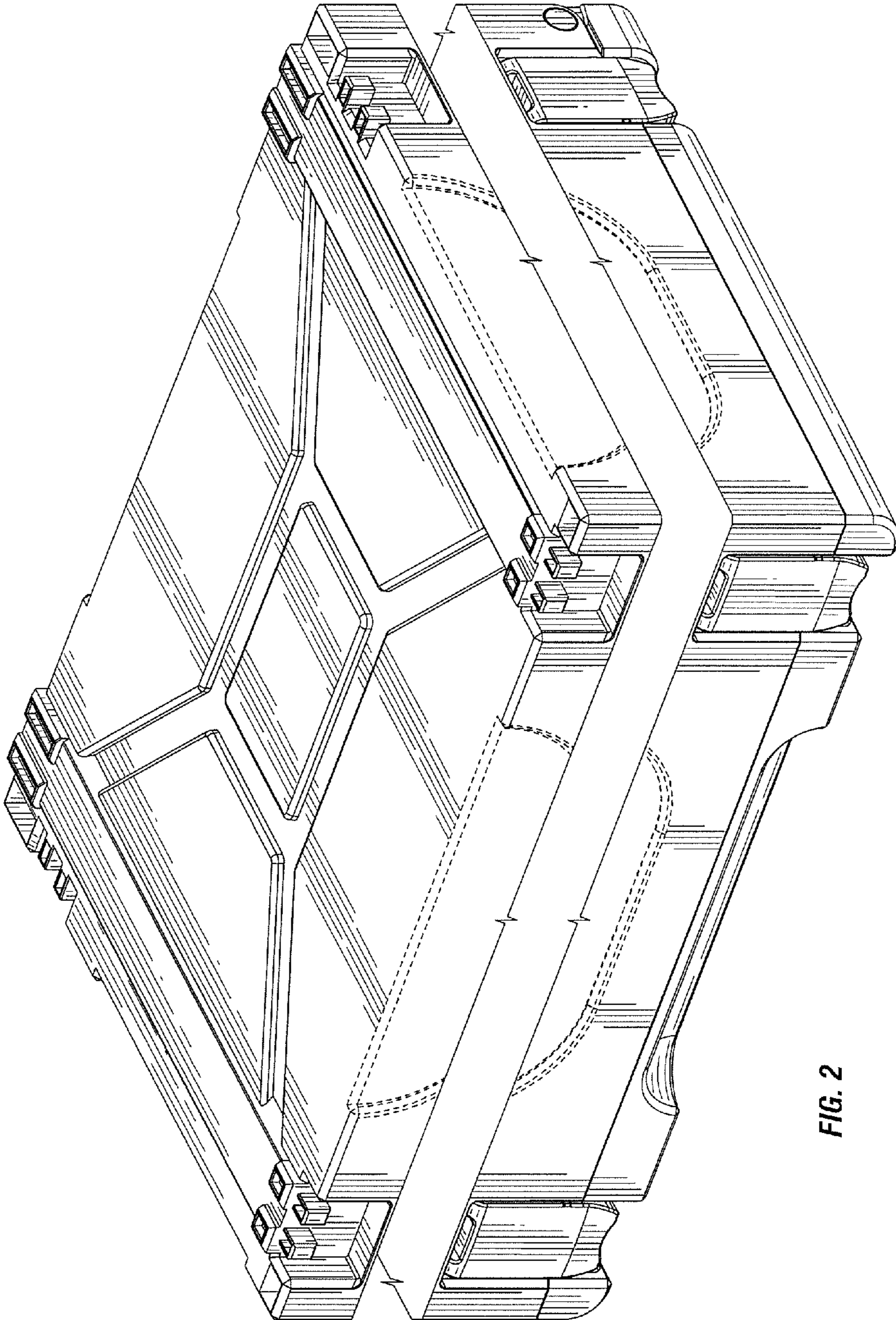


FIG. 2

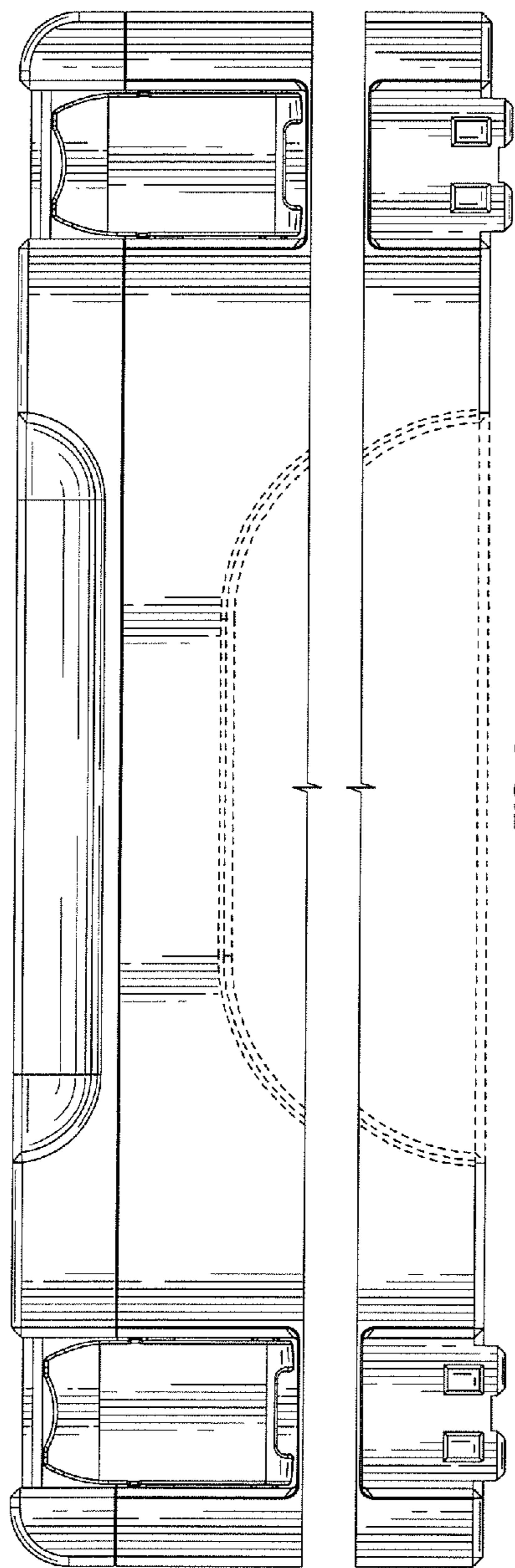


FIG. 3

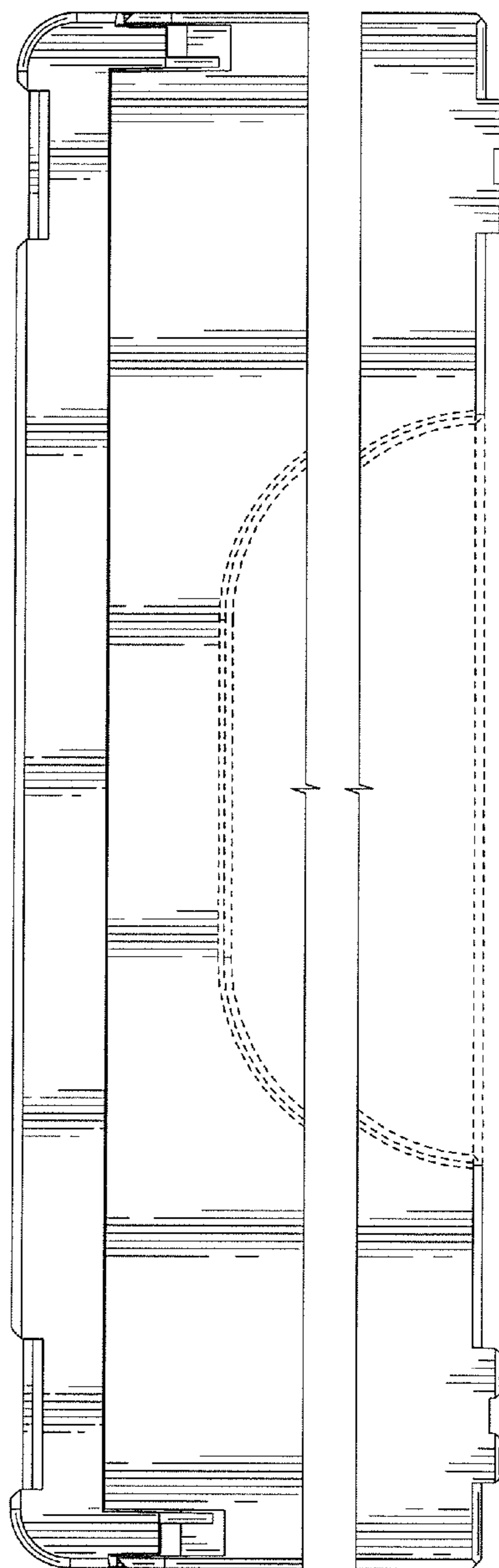


FIG. 4

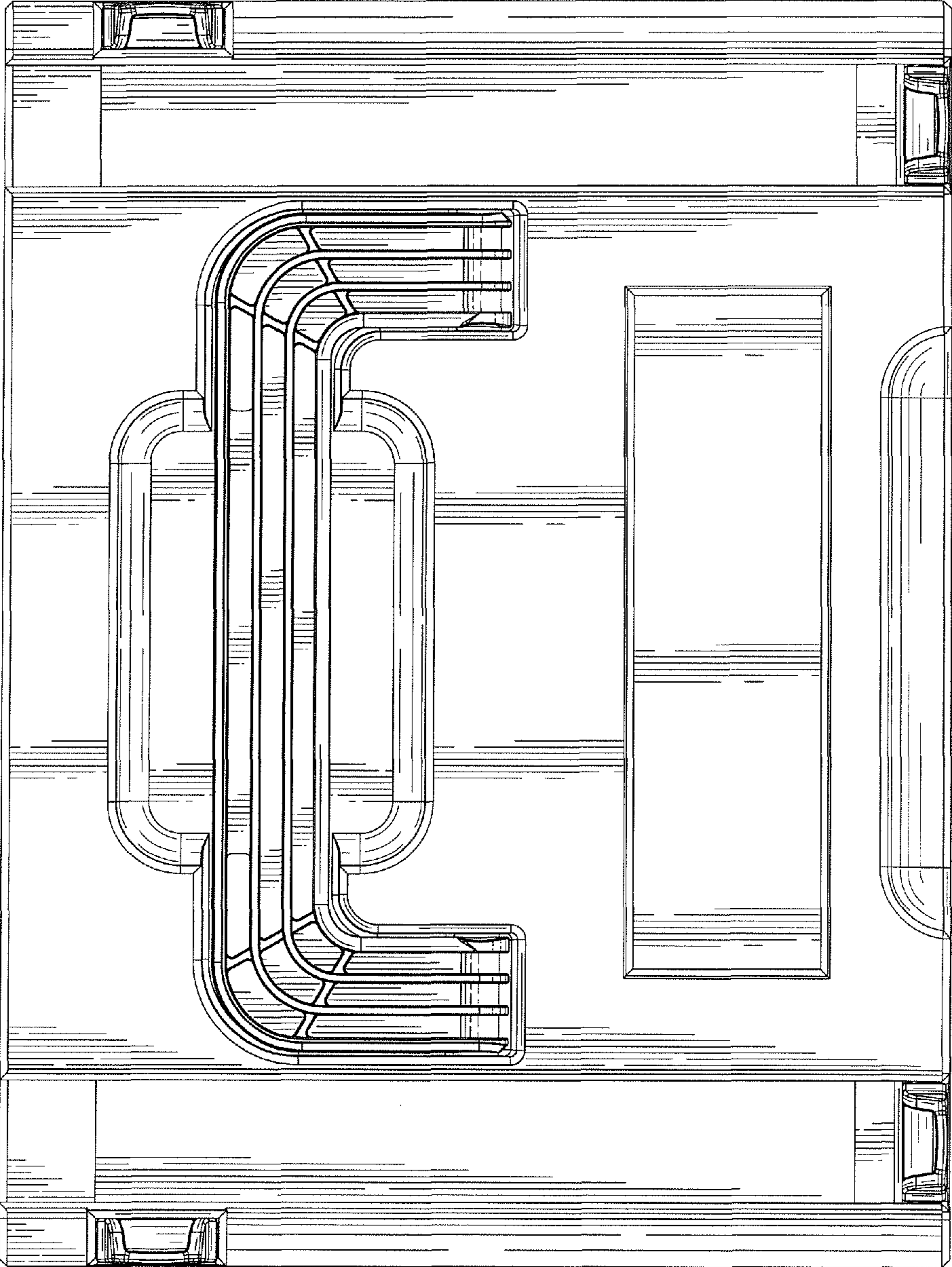


FIG. 5

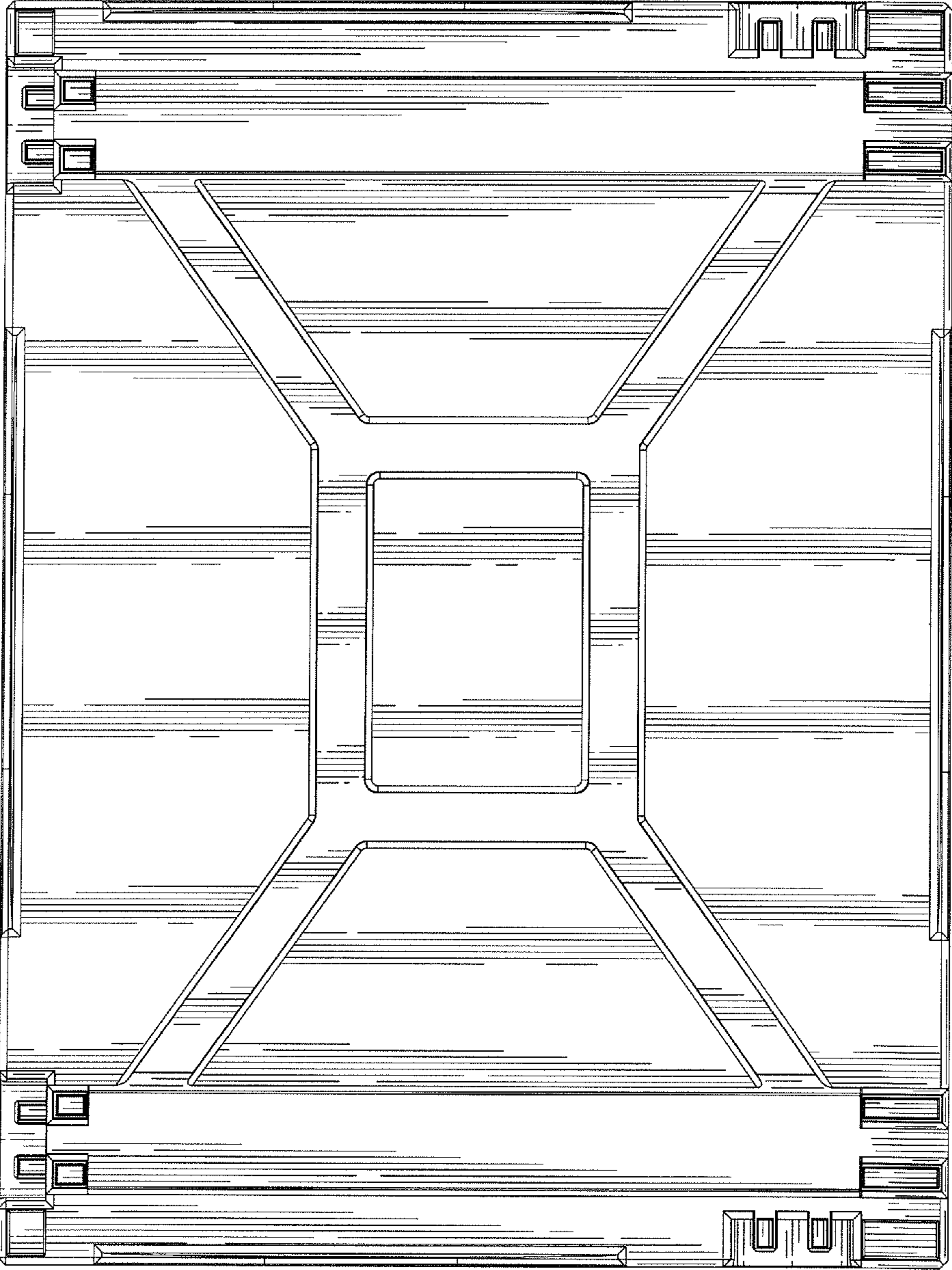


FIG. 6

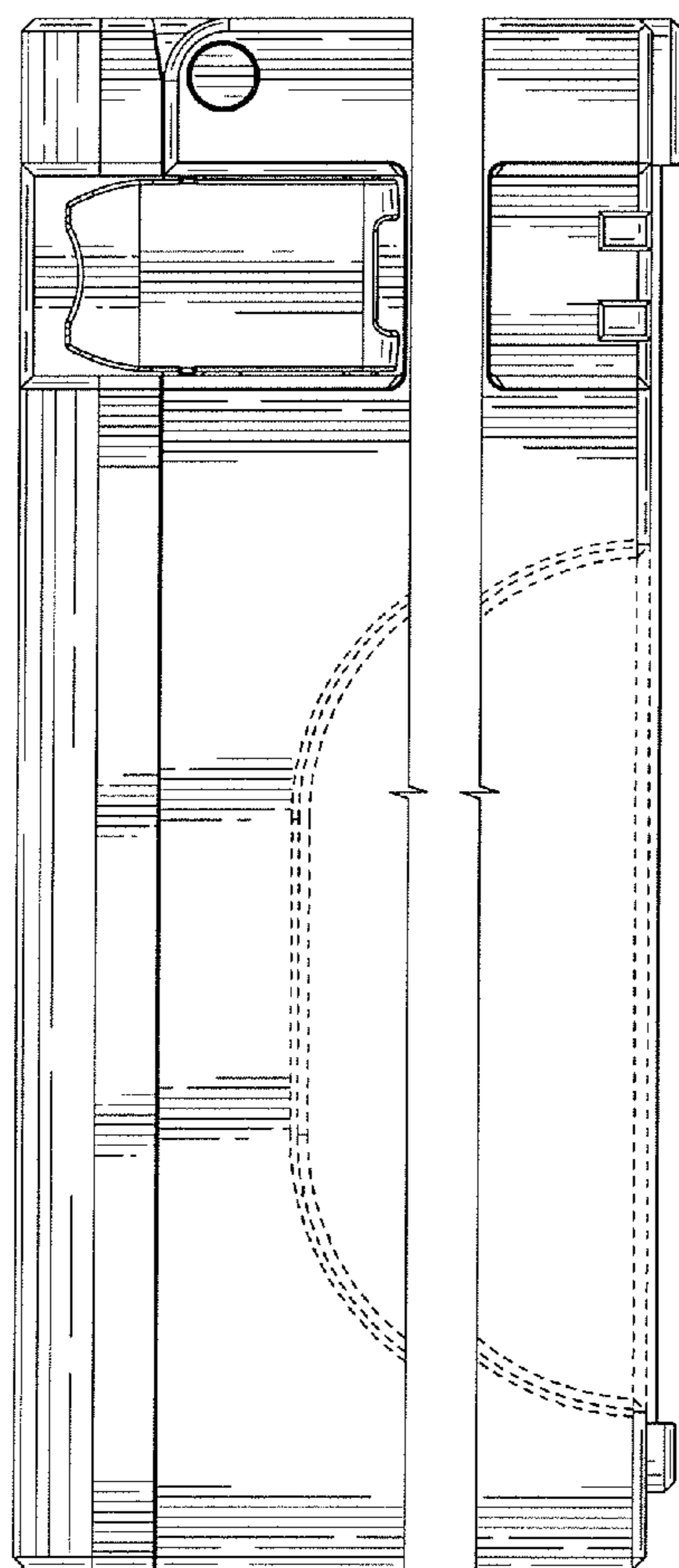


FIG. 7

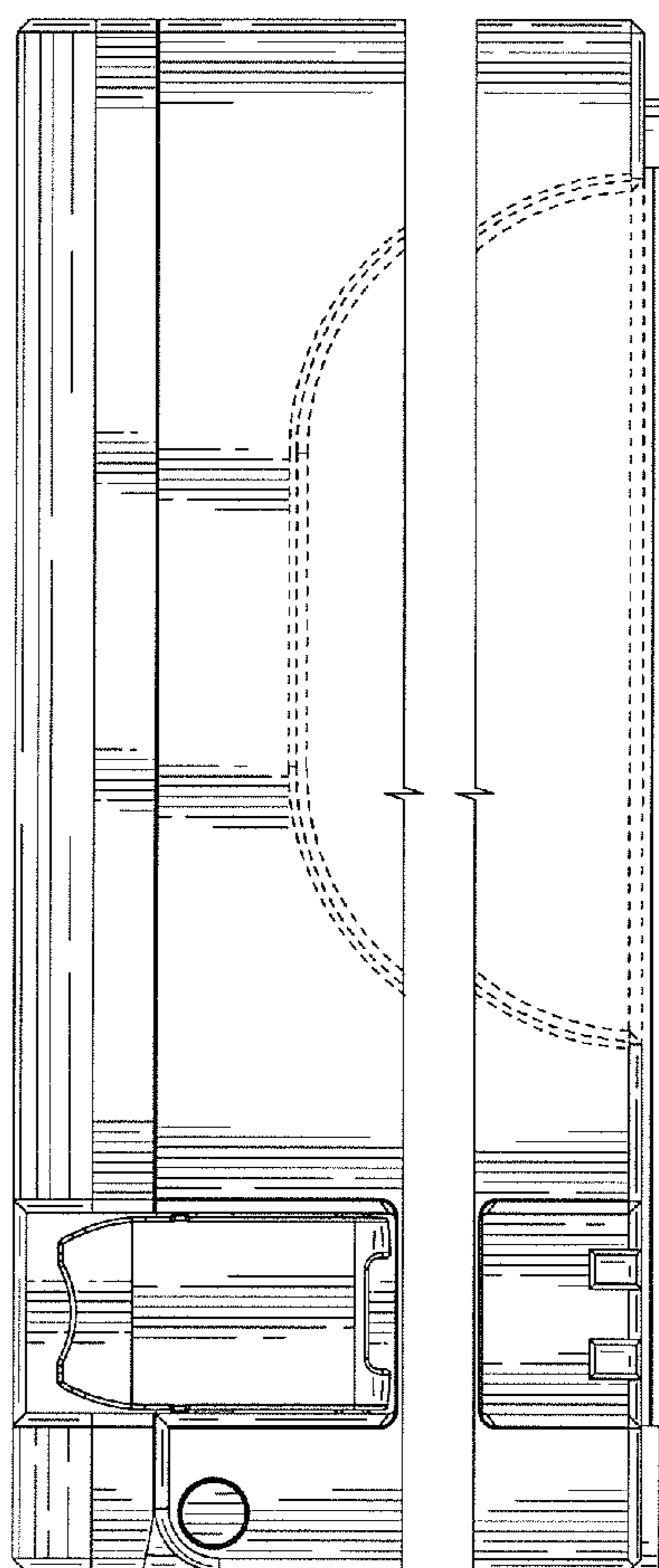


FIG. 8