

US00D668865S

(12) **United States Design Patent**
Gregerson

(10) **Patent No.:** **US D668,865 S**

(45) **Date of Patent:** **** Oct. 16, 2012**

(54) **SUBSTRATE CONTAINER**

(75) **Inventor:** **Barry Gregerson**, Deephaven, MN (US)

(73) **Assignee:** **Entegris, Inc.**, Billerica, MA (US)

(**) **Term:** **14 Years**

(21) **Appl. No.:** **29/377,267**

(22) **Filed:** **Oct. 19, 2010**

(51) **LOC (9) Cl.** **03-01**

(52) **U.S. Cl.** **D3/273**

(58) **Field of Classification Search** D3/269,
D3/302, 273; 206/711, 454, 509, 455, 444,
206/508, 503, 832; 211/41.18; 220/323,
220/756, 772, 768, 759

See application file for complete search history.

(56) **References Cited**

U.S. PATENT DOCUMENTS

D378,873	S	*	4/1997	Gregerson et al.	D3/273
D387,903	S	*	12/1997	Jacoby et al.	D3/273
5,788,082	A	*	8/1998	Nyseth	206/711
5,992,638	A	*	11/1999	Gregerson et al.	206/711
6,105,782	A	*	8/2000	Fujimori et al.	206/710
6,382,419	B1	*	5/2002	Fujimori et al.	206/454
7,048,127	B2	*	5/2006	Hyobu et al.	206/710
7,316,315	B2	*	1/2008	Matsutori et al.	206/454
7,344,031	B2	*	3/2008	Hasegawa et al.	206/710
7,347,329	B2	*	3/2008	Burns et al.	206/711

7,669,717	B2	*	3/2010	Sumi	206/710
7,703,609	B2	*	4/2010	Nakatogawa	206/711
7,722,095	B2	*	5/2010	Hyobu et al.	220/323
7,828,341	B2	*	11/2010	Hasegawa et al.	206/711
7,971,723	B1	*	7/2011	Chiu et al.	206/711
2003/0159971	A1	*	8/2003	Bores et al.	206/711
2007/0175792	A1	*	8/2007	Gregerson	206/711
2011/0005967	A1	*	1/2011	Gregerson et al.	206/711

* cited by examiner

Primary Examiner — Jennifer Rivard

(74) *Attorney, Agent, or Firm* — Patterson Thunte Christensen Pedersen, P.A.

(57) **CLAIM**

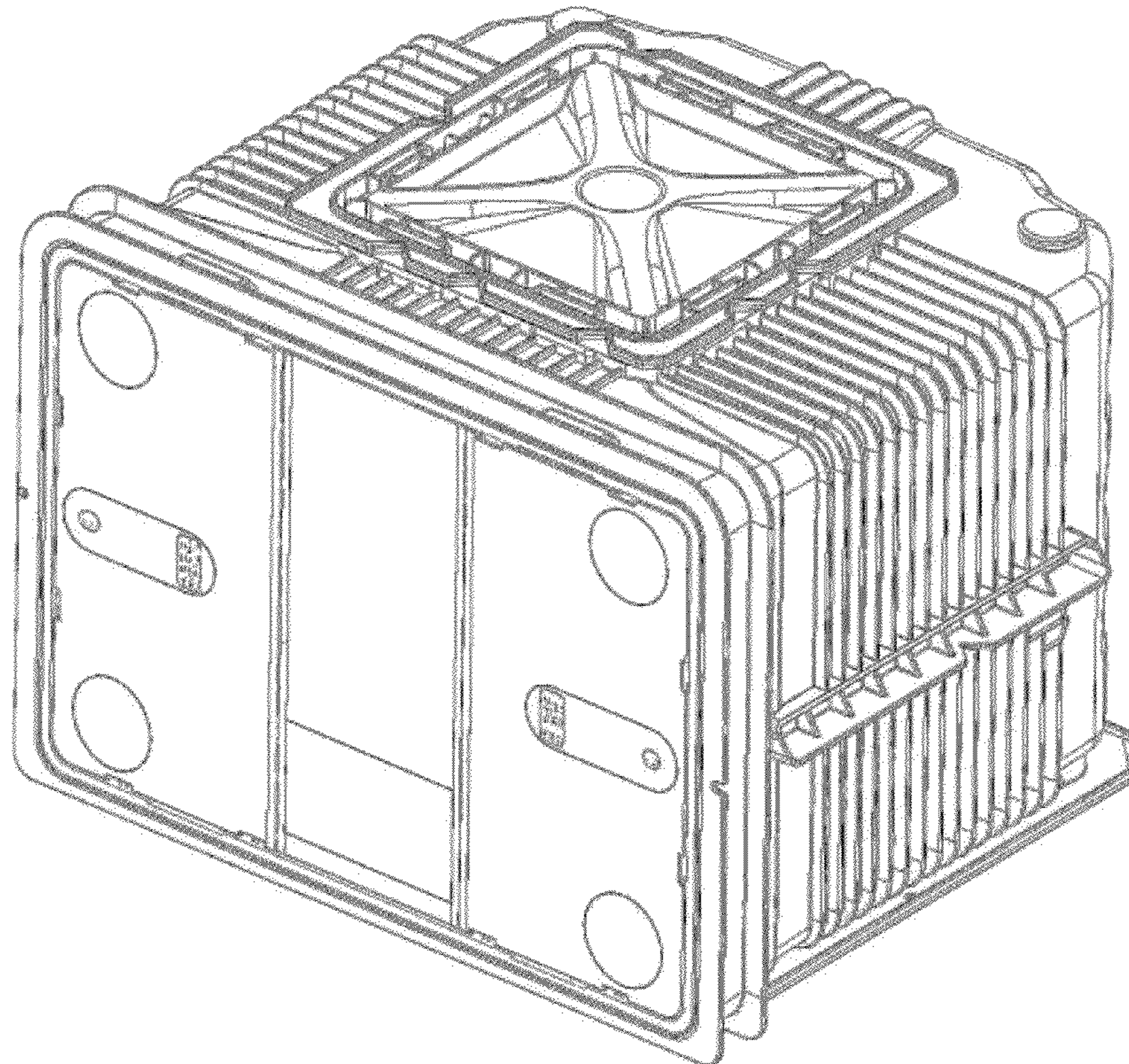
I claim the ornamental design for substrate container, as shown and described.

DESCRIPTION

FIG. 1 is a front corner perspective view of a substrate container according to an embodiment of the invention. The view from the adjacent front corner being a mirror image thereto. FIG. 2 is back corner perspective view of a substrate container according to an embodiment of the invention. The view from the adjacent back corner being a mirror image thereto; and, FIG. 3 is right side view of a substrate container according to an embodiment of the invention. The view from the opposite side being a mirror image thereto.

The dashed lines on the keyhole slot on the front of the container are for illustrative purposes only and form no part of the claimed invention.

1 Claim, 3 Drawing Sheets



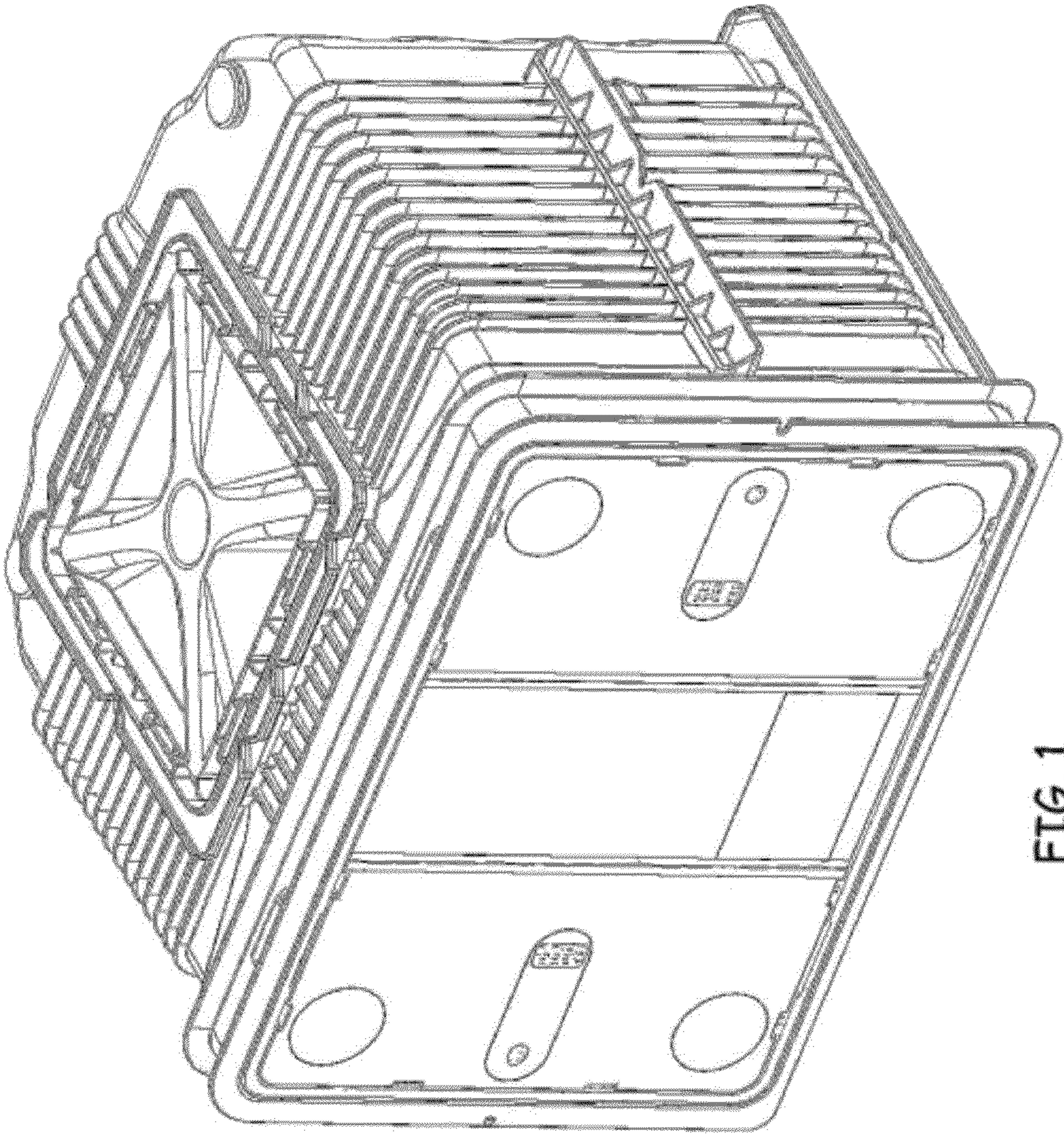


FIG. 1

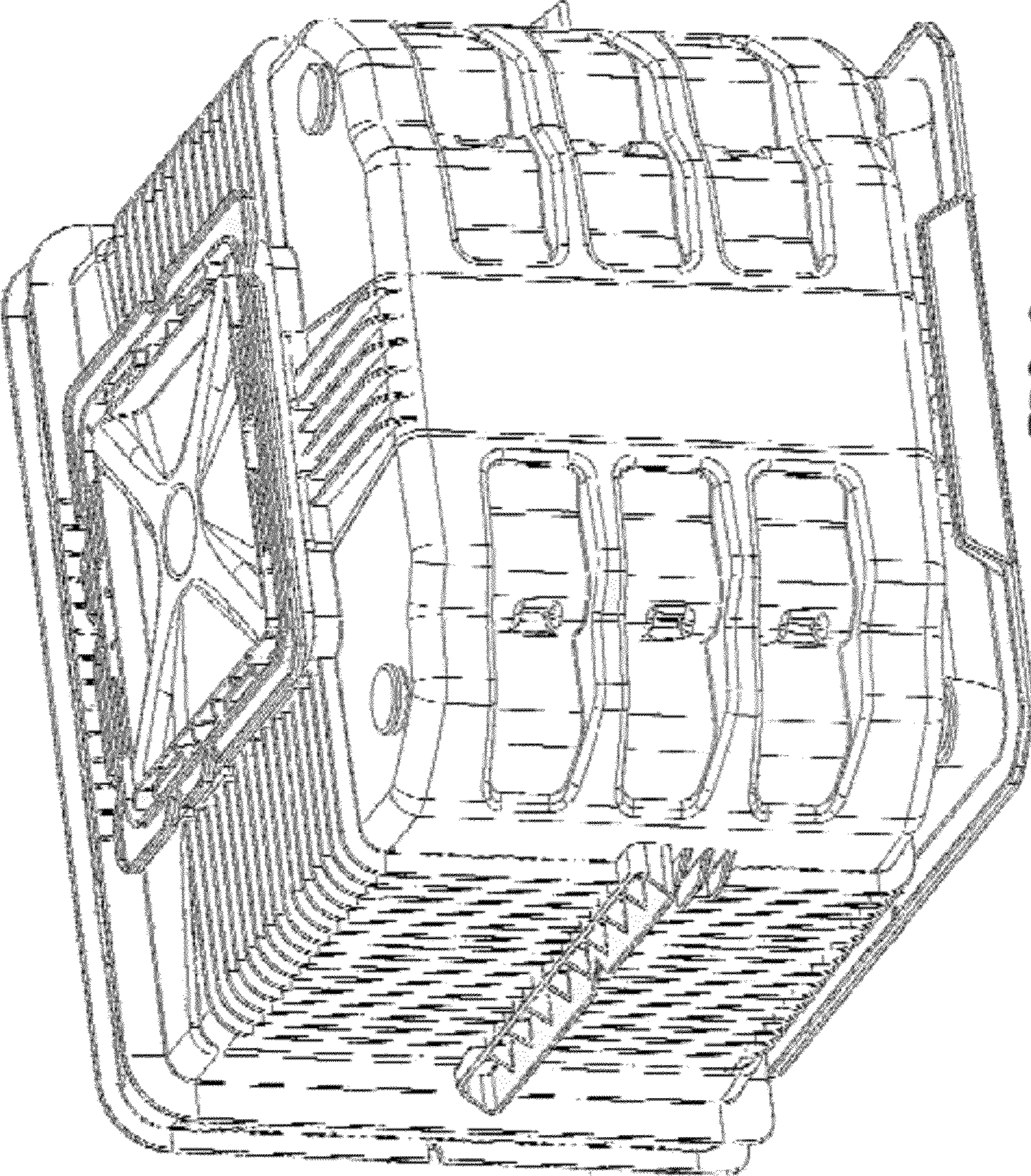


FIG. 2

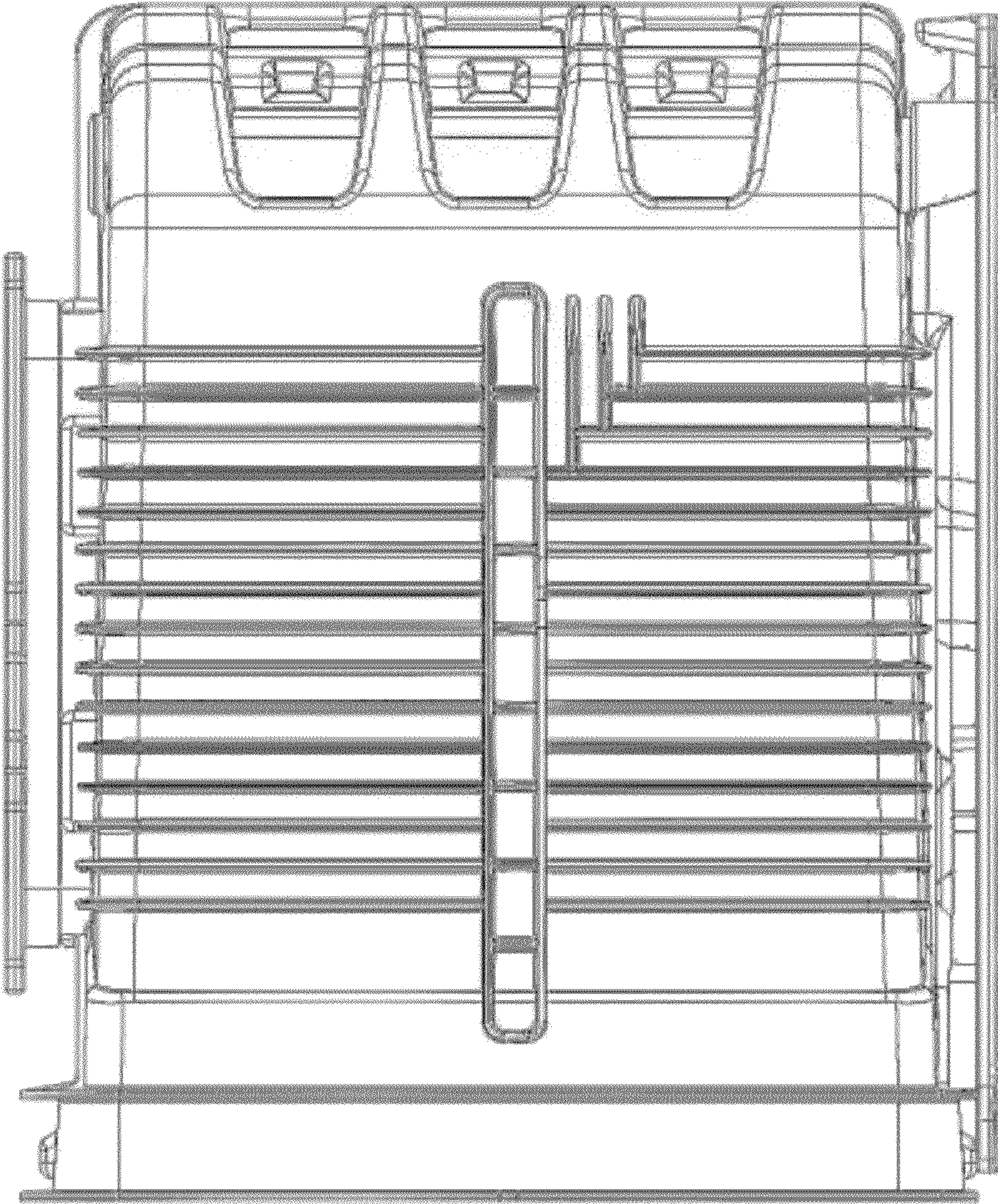


FIG. 3