



US00D668861S

(12) **United States Design Patent**  
**Pomerantz**

(10) **Patent No.:** **US D668,861 S**

(45) **Date of Patent:** **\*\* Oct. 16, 2012**

(54) **UTILITY BELT**

(75) Inventor: **Shifra Pomerantz**, Aventura, FL (US)

(73) Assignee: **Shifra Pomerantz**, Aventura, FL (US)

(\*\*) Term: **14 Years**

(21) Appl. No.: **29/409,955**

(22) Filed: **Dec. 30, 2011**

(51) **LOC (9) Cl.** ..... **03-01**

(52) **U.S. Cl.** ..... **D3/224**

(58) **Field of Classification Search** ..... D3/224,  
D3/226, 229, 215, 228; 224/223, 253, 240-241,  
224/901, 904, 919

See application file for complete search history.

(56) **References Cited**

**U.S. PATENT DOCUMENTS**

D251,758	S	*	5/1979	Penrod	.....	D3/229
D291,623	S	*	9/1987	Ericksen	.....	D3/229
D497,715	S		11/2004	Saltarelli		
D505,008	S	*	5/2005	Malik	.....	D3/224
D510,480	S	*	10/2005	McCarter	.....	D3/224
D553,853	S		10/2007	Willows et al.		
D586,552	S		2/2009	Shumate		
D615,753	S		5/2010	Pomerantz		
2008/0190980	A1		8/2008	Overton		

**OTHER PUBLICATIONS**

iFitness sport belt.  
iFitness sport belts.  
Overton Fitness Spibelt.

\* cited by examiner

*Primary Examiner* — Catheri Oliver

(57) **CLAIM**

The ornamental design for a utility belt, as shown and described.

**DESCRIPTION**

FIG. 1 is a perspective view of a utility belt showing my new design;

FIG. 2 is a perspective view of the rear of the utility belt of FIG. 1;

FIG. 3 is a top view of the utility belt of FIG. 1;

FIG. 4 is a bottom view of the utility belt of FIG. 1;

FIG. 5 is a left elevational view of the utility belt of FIG. 1;

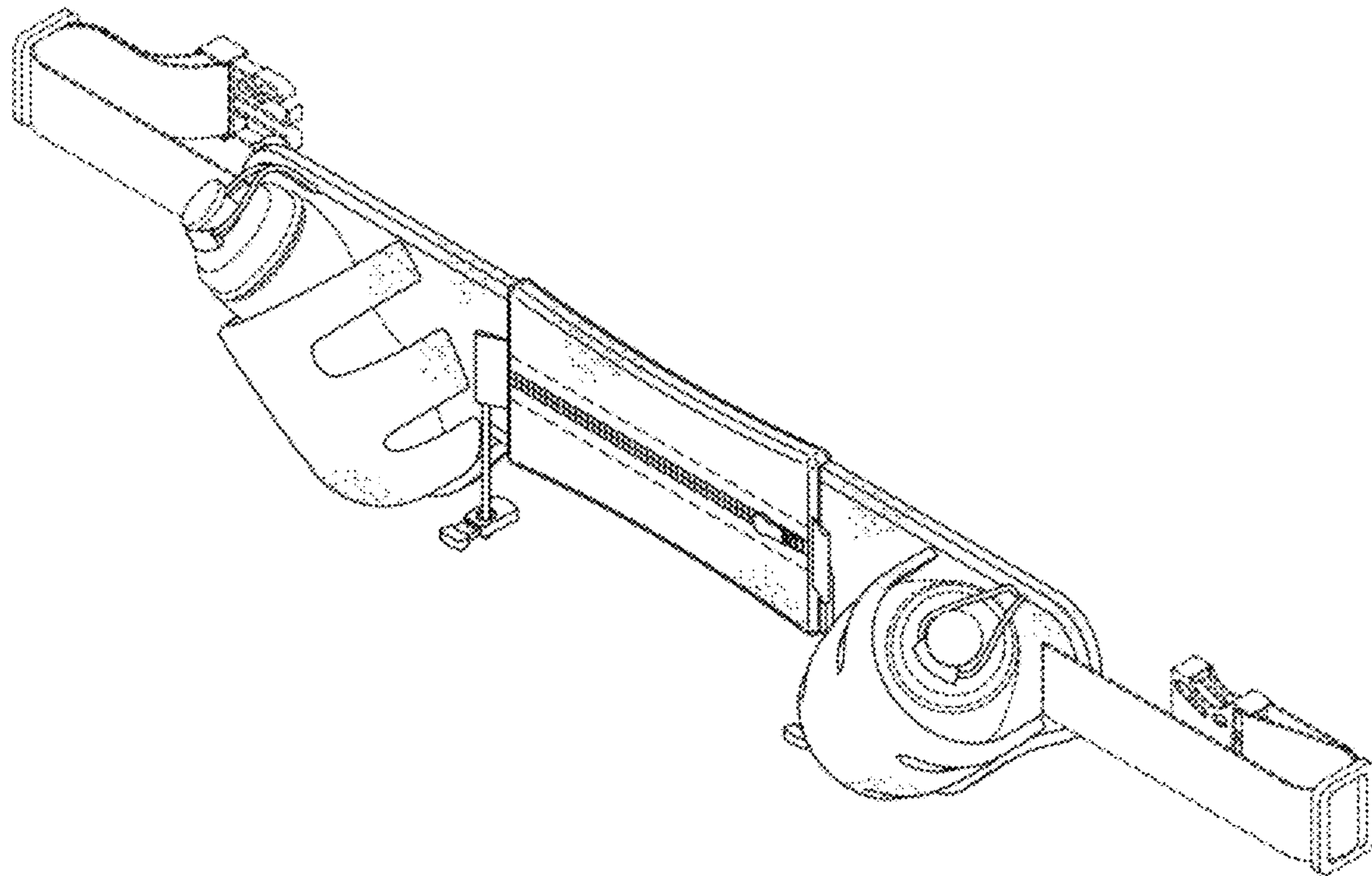
FIG. 6 is a right elevational view of the utility belt of FIG. 1;

FIG. 7 is a front elevational view of the utility belt of FIG. 1; and,

FIG. 8 is a rear elevational view of the utility belt of FIG. 1.

The broken line showing of environment in the drawings is included for the purpose of illustrating only and forms no part of the claimed design.

**1 Claim, 5 Drawing Sheets**



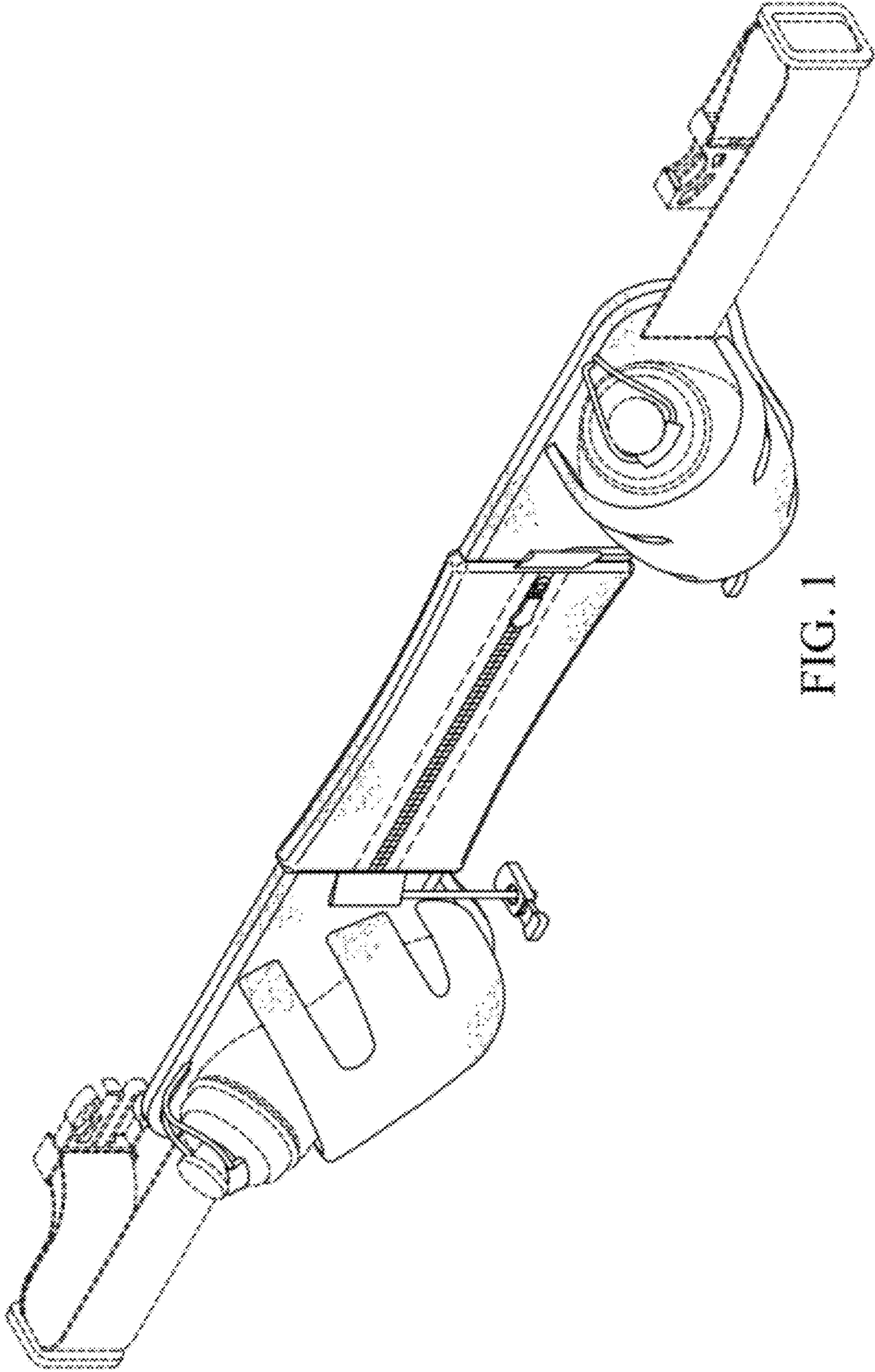


FIG. 1

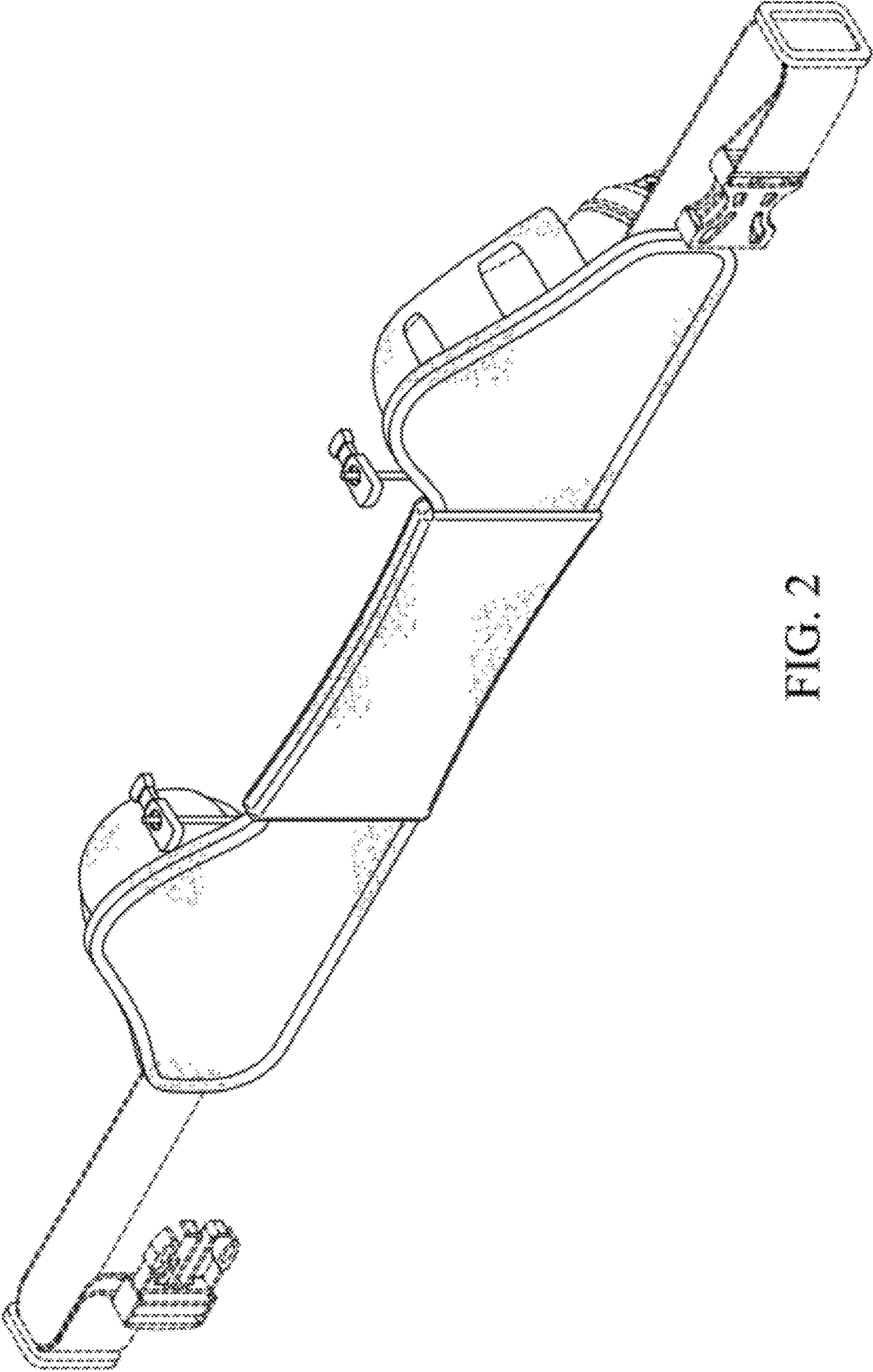
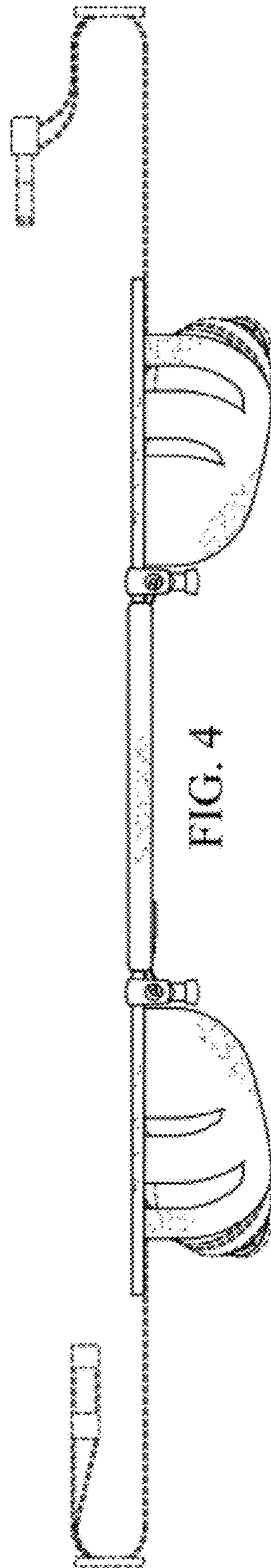
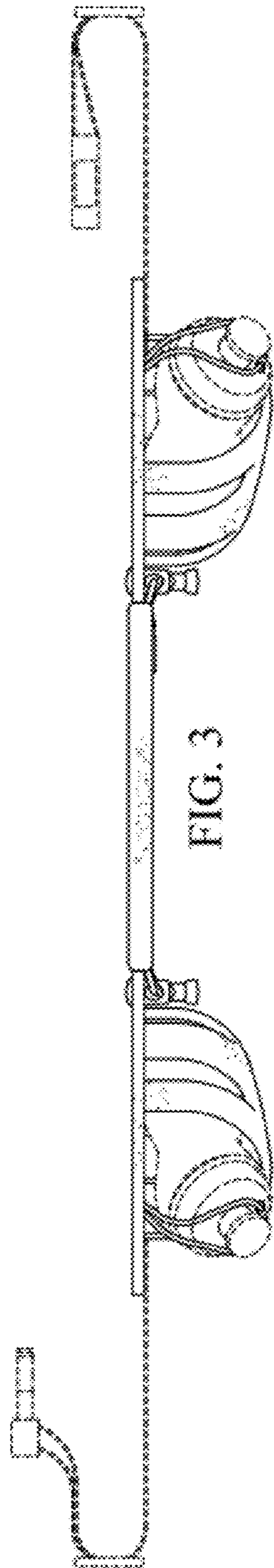


FIG. 2



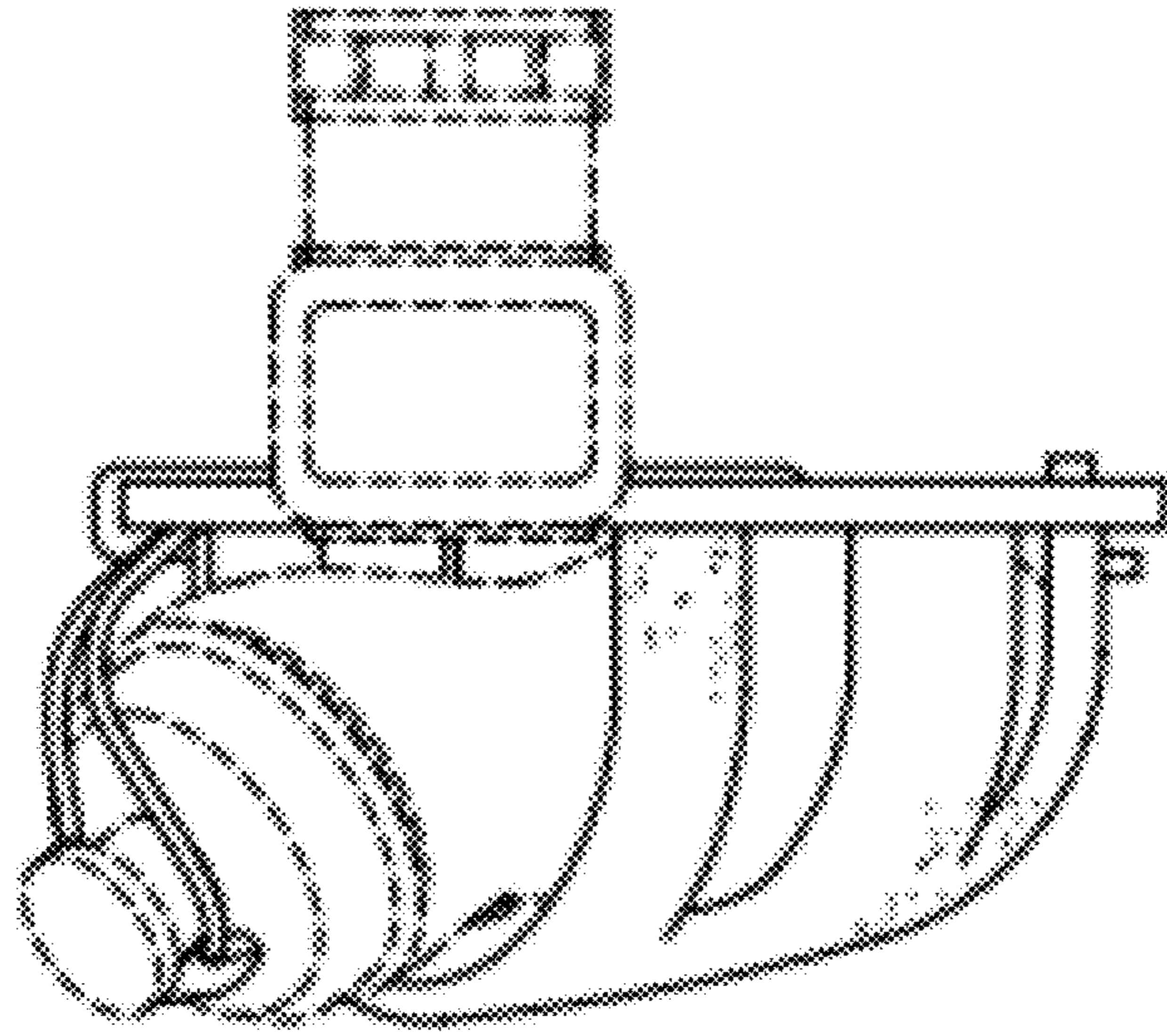


FIG. 6

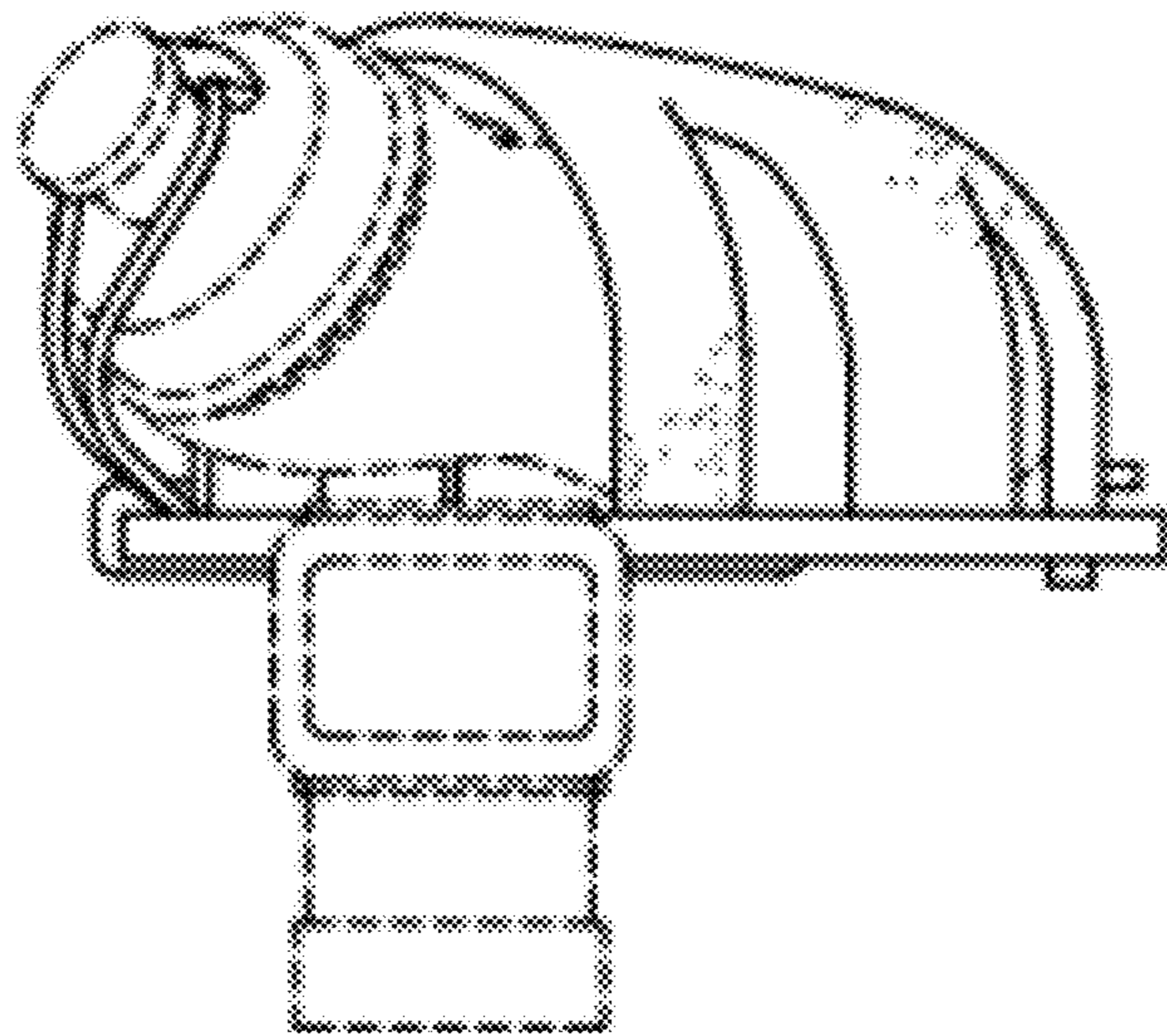


FIG. 5

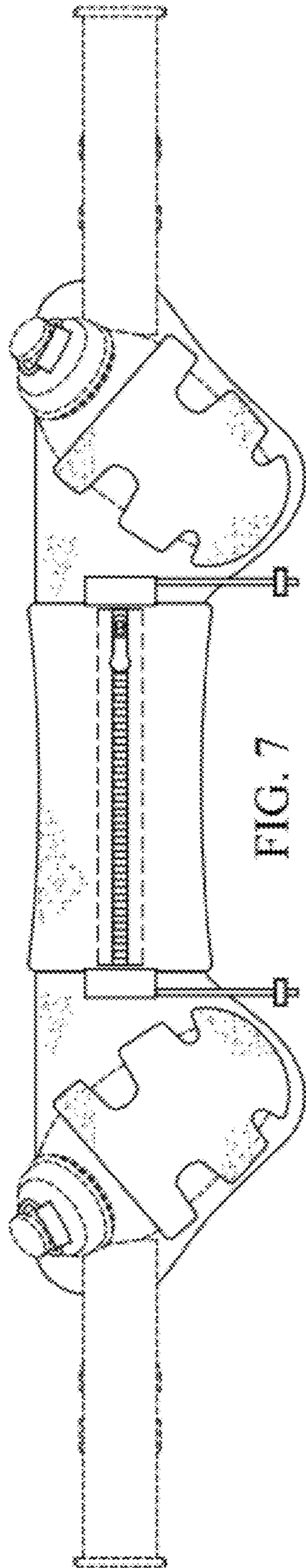


FIG. 7

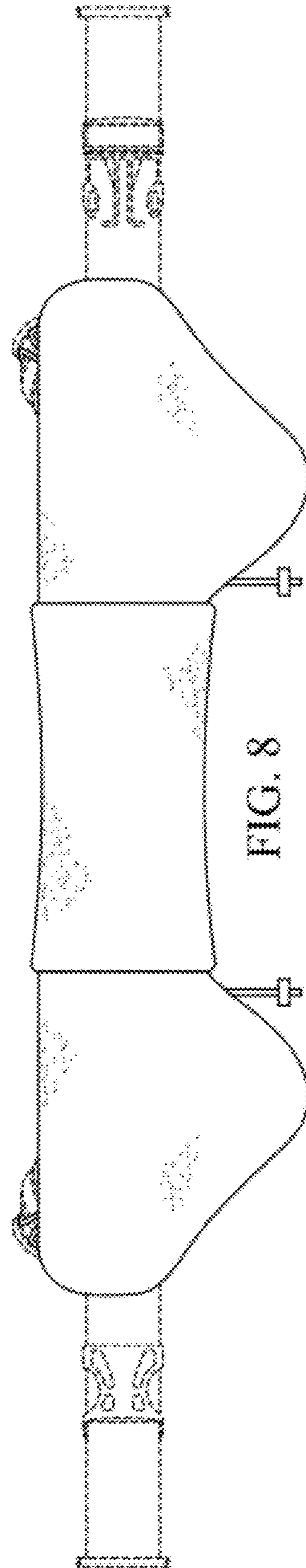


FIG. 8