

US00D668859S

(12) **United States Design Patent**  
**Halkias**

(10) **Patent No.:** **US D668,859 S**

(45) **Date of Patent:** **\*\* Oct. 16, 2012**

(54) **ILLUMINATED UMBRELLA**

(75) Inventor: **Bill Halkias**, Hoboken, NJ (US)

(73) Assignee: **Bill Halkias**, Hoboken, NJ (US)

(\*\*) Term: **14 Years**

(21) Appl. No.: **29/409,382**

(22) Filed: **Dec. 22, 2011**

(51) **LOC (9) Cl.** ..... **03-03**

(52) **U.S. Cl.** ..... **D3/5**

(58) **Field of Classification Search** ..... D3/5-17;  
135/15.1, 16, 20.3, 33.2, 23, 31, 33.7, 18,  
135/19, 19.5, 20.1, 25.1, 25.4, 98, 114-116,  
135/120.1, 120.2, 120.3

See application file for complete search history.

(56) **References Cited**

**U.S. PATENT DOCUMENTS**

2,734,124	A *	2/1956	Funk	.....	362/102
5,126,922	A *	6/1992	Andreasen	.....	362/577
D353,041	S *	12/1994	Stenberg	.....	D3/5
5,502,624	A *	3/1996	Tu	.....	362/102
D393,539	S *	4/1998	Bridgen	.....	D3/5
5,848,831	A *	12/1998	Tatsumi	.....	362/102

D422,784	S *	4/2000	Au	.....	D3/5
D464,481	S *	10/2002	Webster	.....	D3/5
7,469,705	B1 *	12/2008	Nocella, III	.....	135/16
2006/0096625	A1 *	5/2006	Chen et al.	.....	135/16

\* cited by examiner

*Primary Examiner* — T. Chase Nelson

*Assistant Examiner* — Ania Aman

(74) *Attorney, Agent, or Firm* — Myers Wolin, LLC; Scott H. Kaliko, Esq.

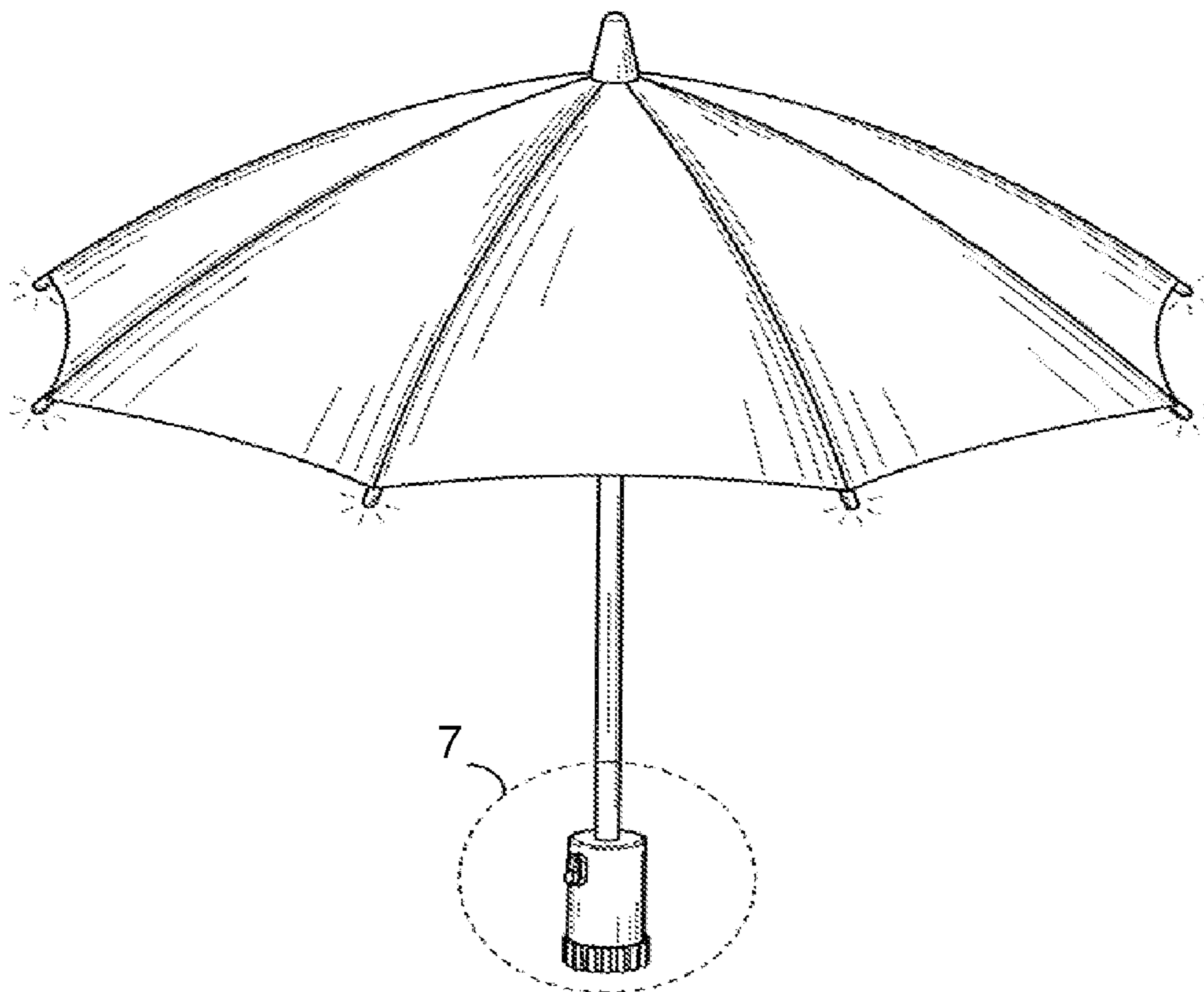
(57) **CLAIM**

An ornamental design for an illuminated umbrella, as shown and described.

**DESCRIPTION**

FIG. 1 is a front perspective view of an illuminated umbrella showing my new design;  
FIG. 2 is a side elevation view;  
FIG. 3 is another side elevation view;  
FIG. 4 is another side elevation view;  
FIG. 5 is a top plan view;  
FIG. 6 is a bottom plan view; and,  
FIG. 7 is an enlarged, partial front perspective view of the handle shown in FIG. 1.

**1 Claim, 4 Drawing Sheets**



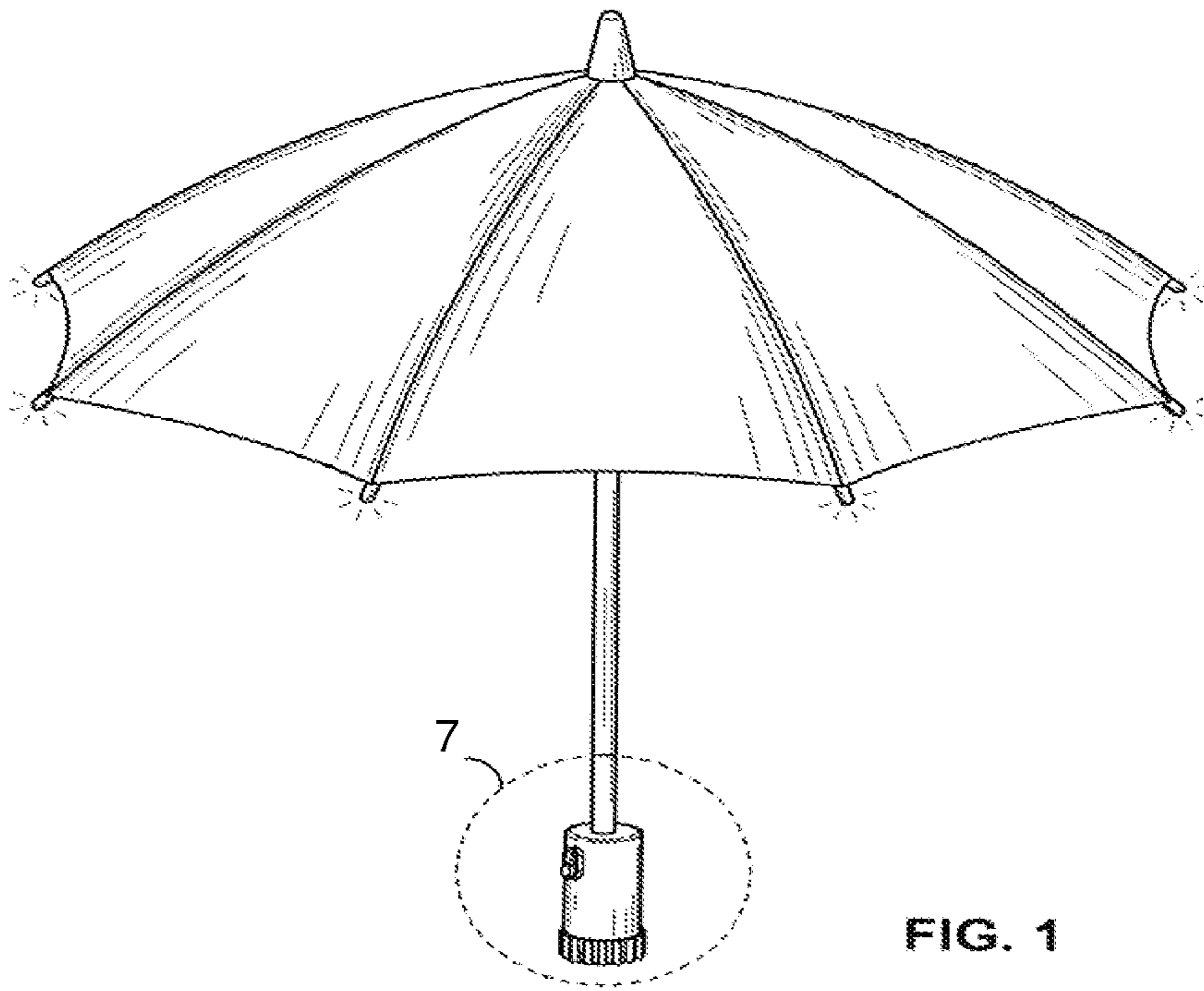


FIG. 1

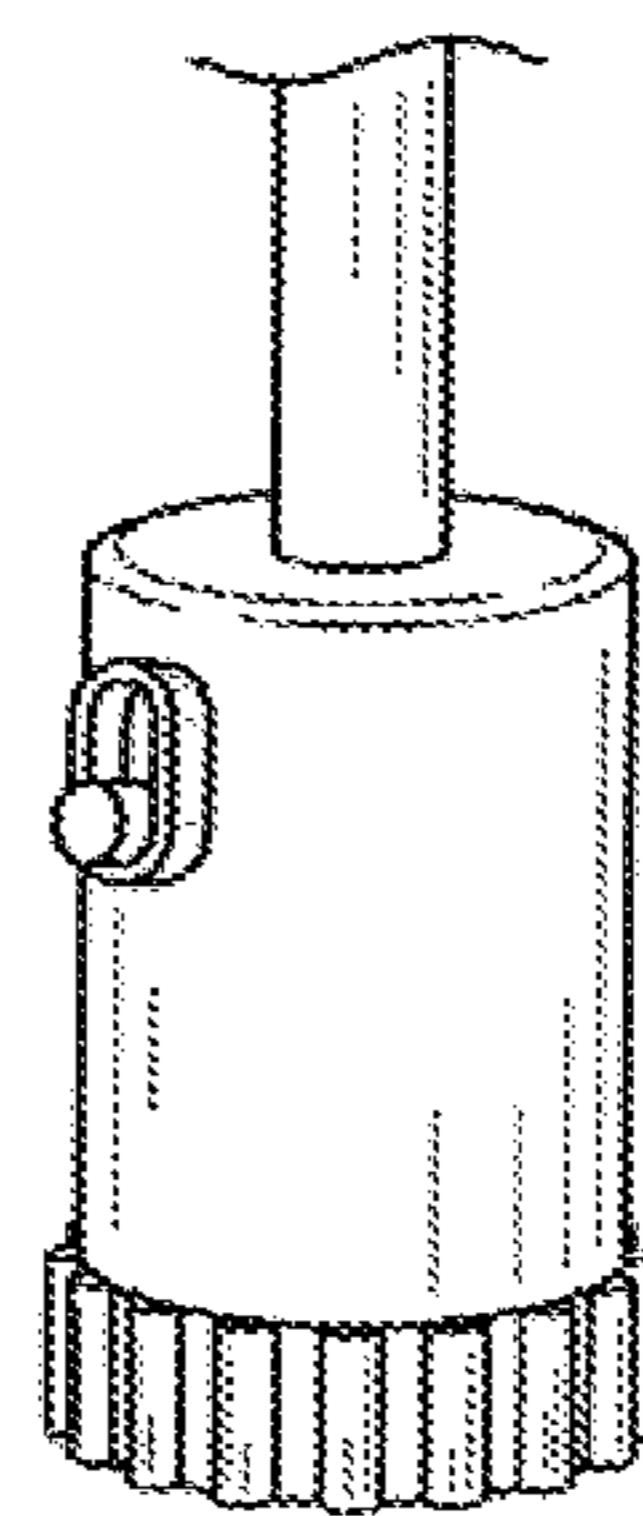


FIG. 7

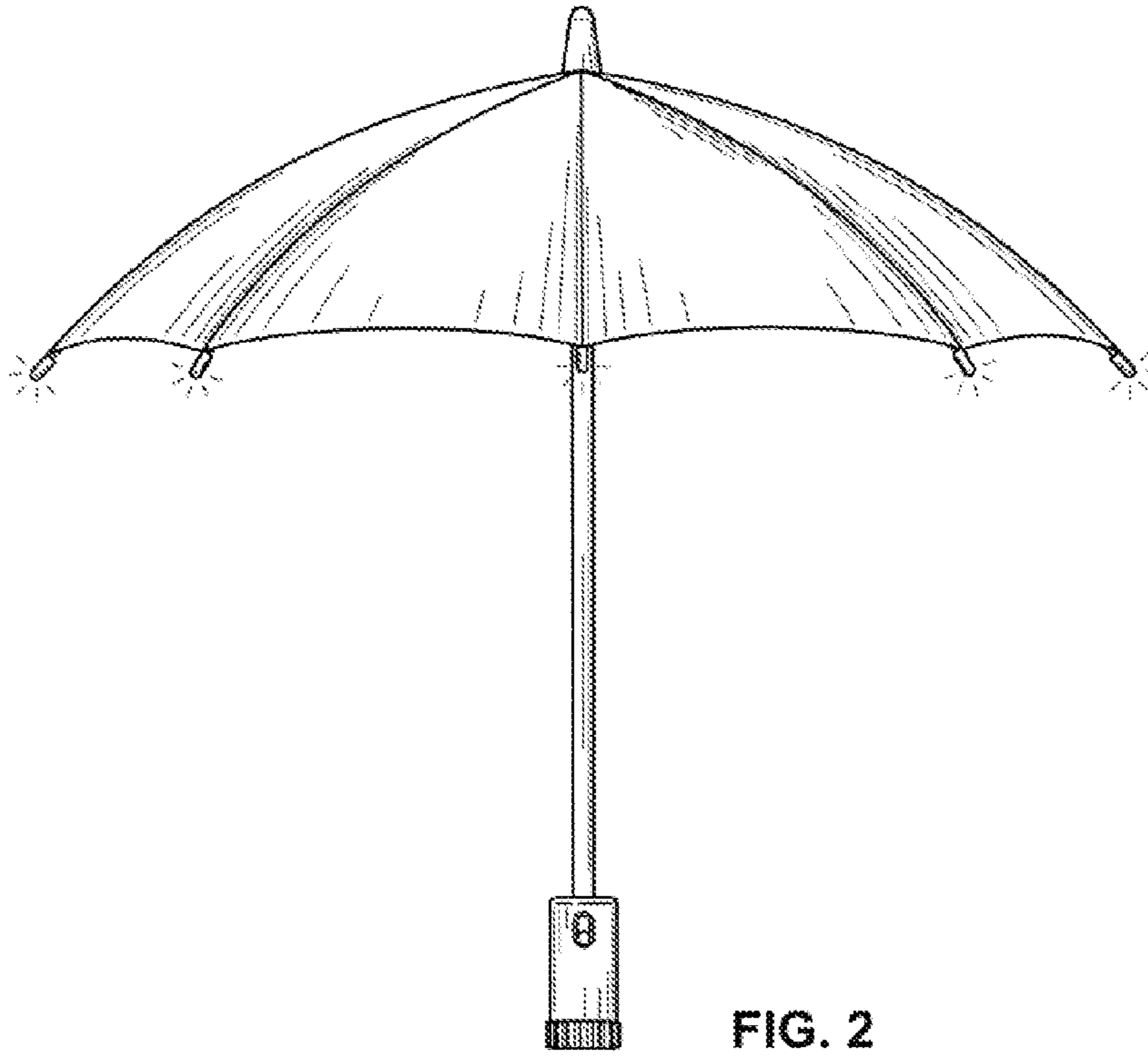


FIG. 2

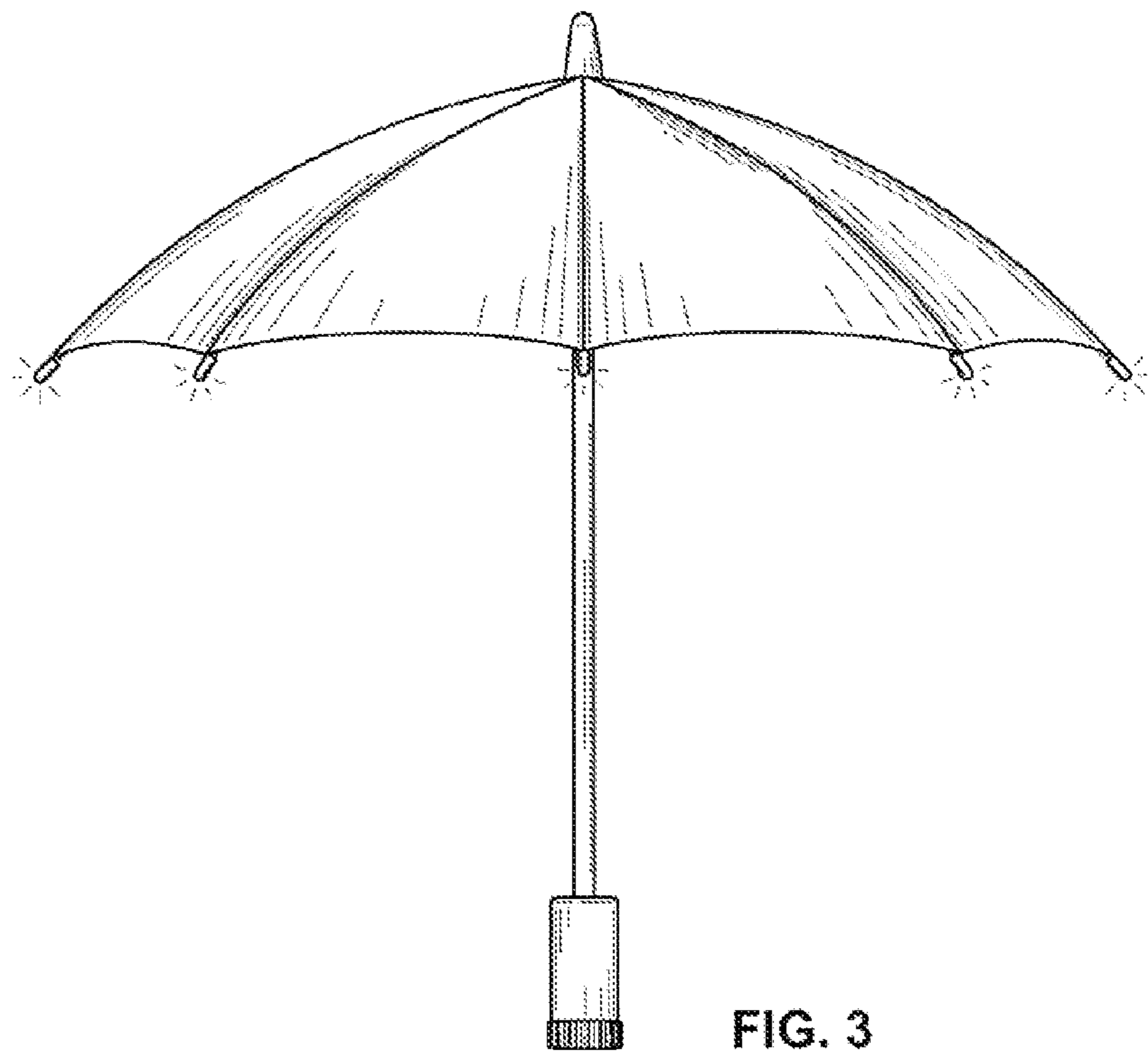


FIG. 3

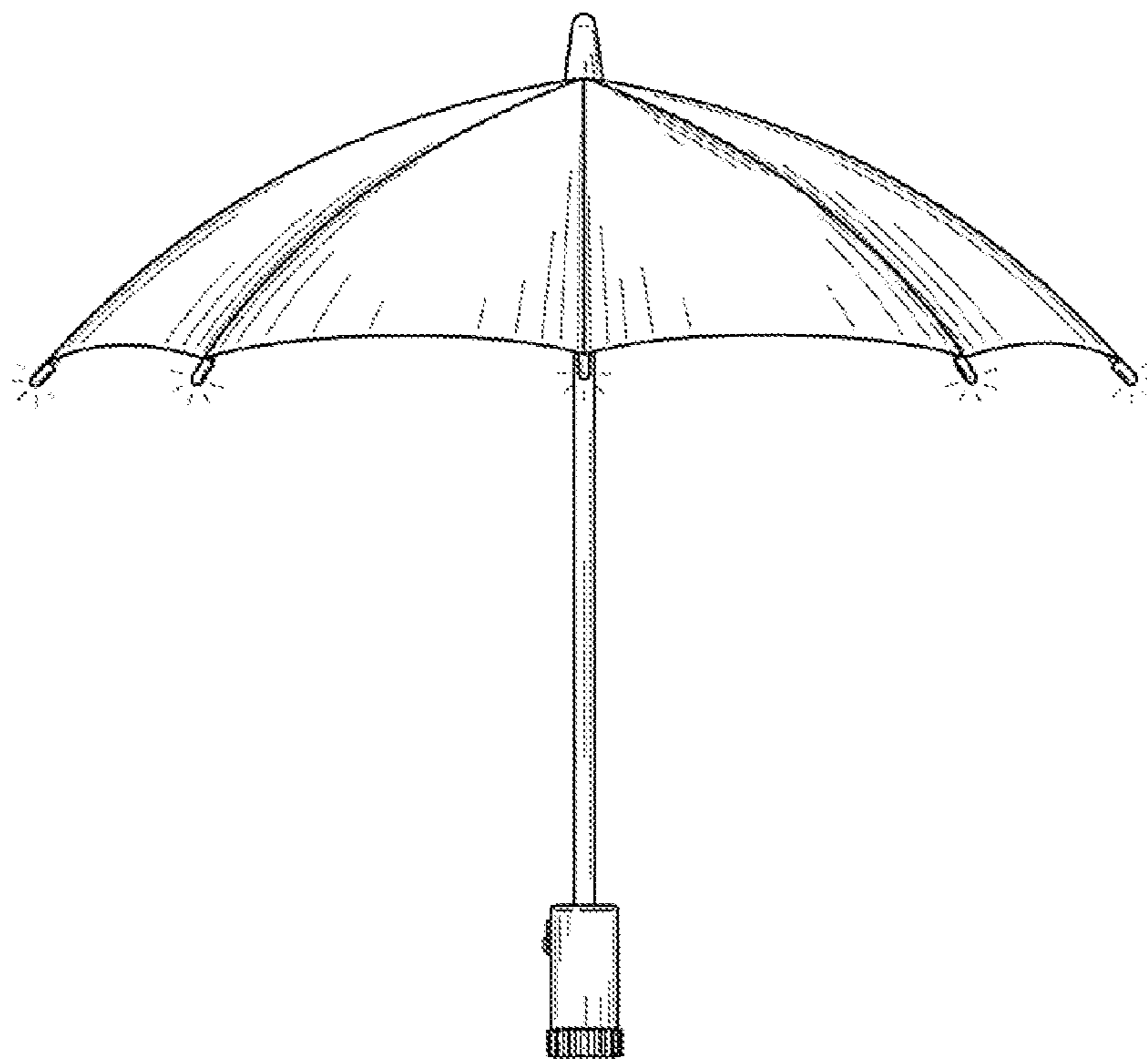


FIG. 4

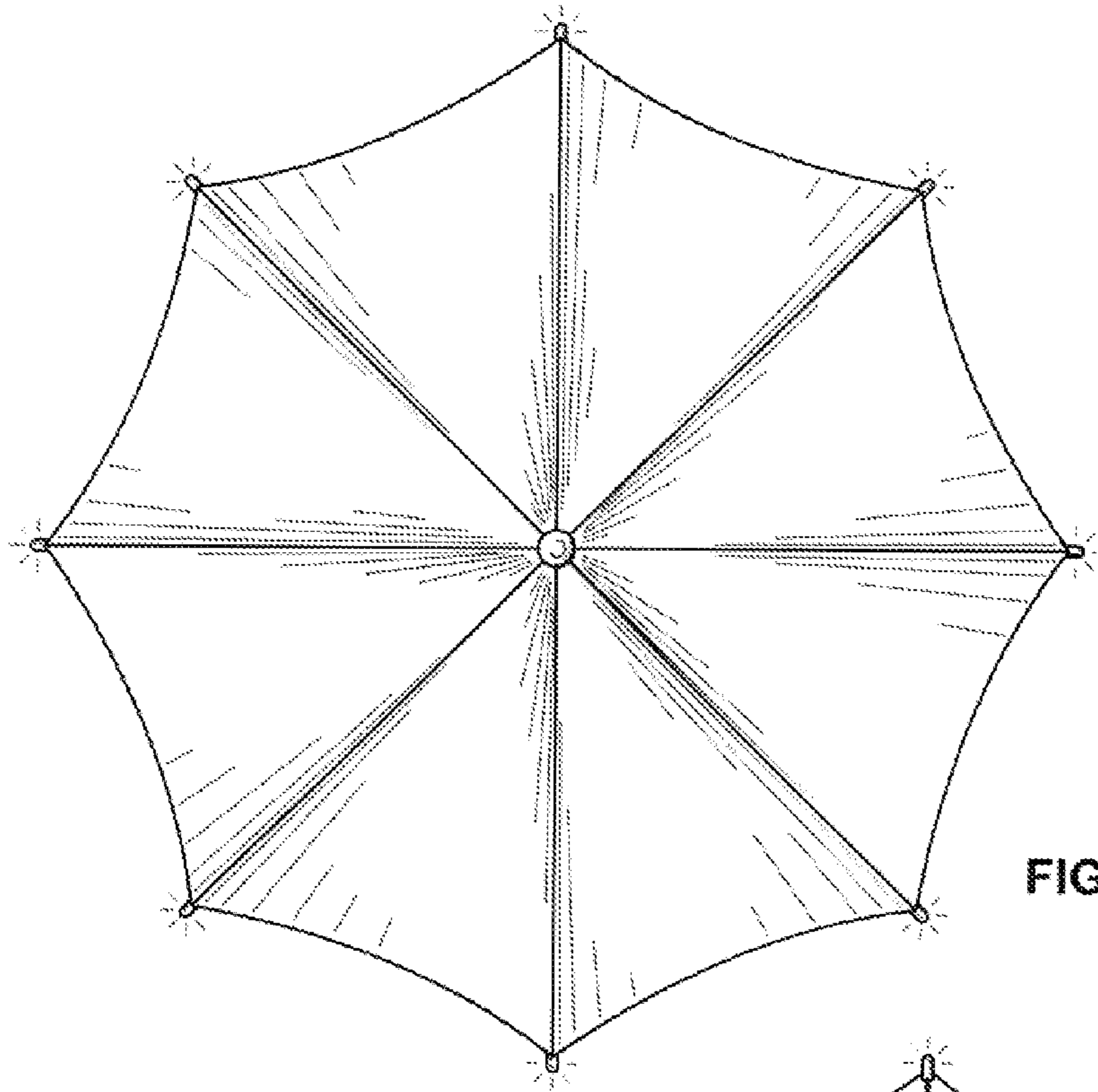


FIG. 5

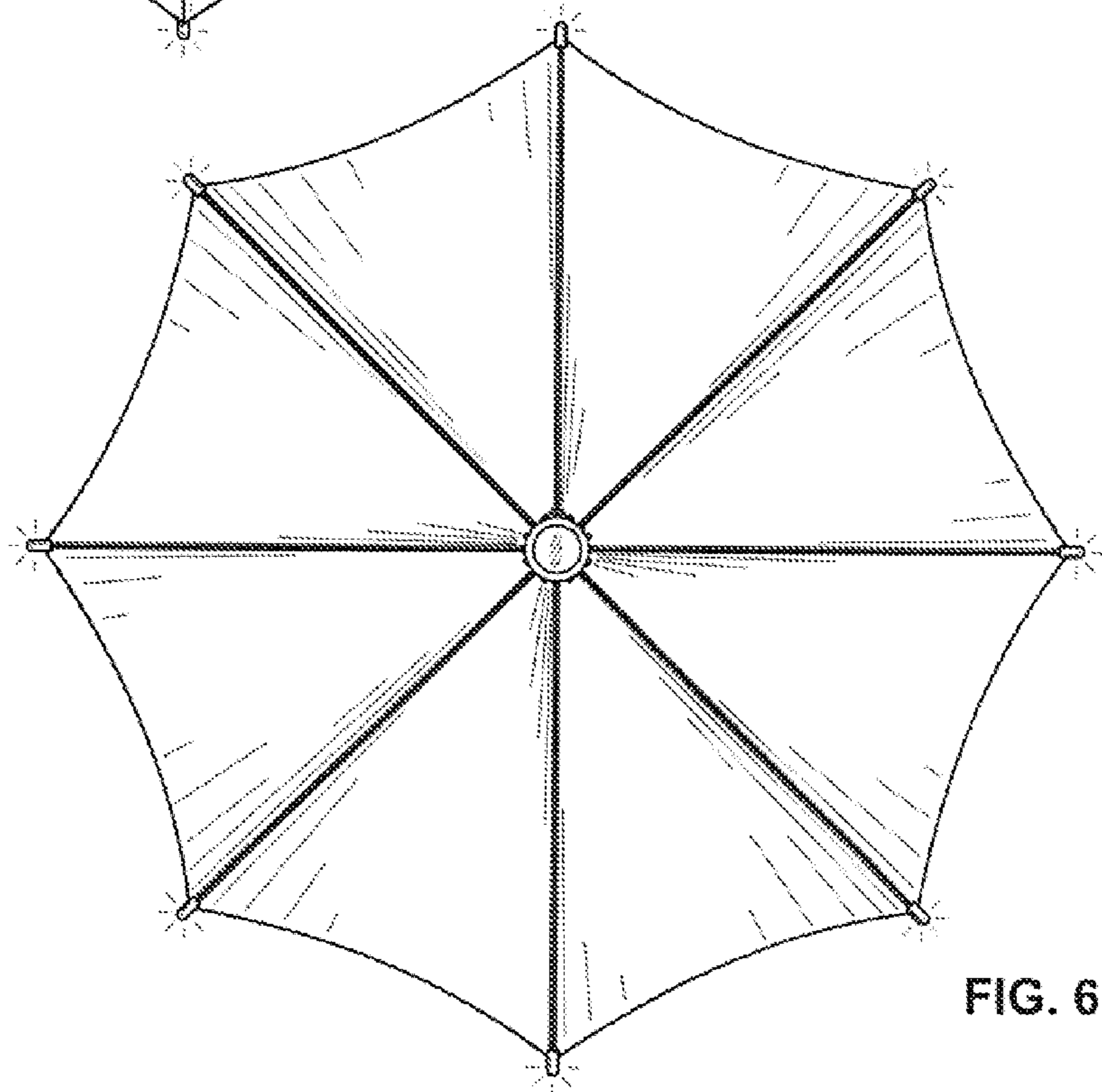


FIG. 6