



US00D668846S

(12) **United States Design Patent**
Wang et al.

(10) **Patent No.:** **US D668,846 S**
(45) **Date of Patent:** **** Oct. 16, 2012**

- (54) **SHOE WITH CAPE**
 - (75) Inventors: **Alexander Wang**, New York, NY (US);
Carla De Freitas, Brooklyn, NY (US)
 - (73) Assignee: **Alexander Wang Incorporated**, New York, NY (US)
 - (**) Term: **14 Years**
 - (21) Appl. No.: **29/385,991**
 - (22) Filed: **Feb. 23, 2011**
 - (51) **LOC (9) Cl.** **02-04**
 - (52) **U.S. Cl.** **D2/925; D2/946; D2/976**
 - (58) **Field of Classification Search** D2/896,
D2/909, 914, 915, 916, 917, 918, 925, 926,
D2/927, 928, 929, 930, 931, 932, 933, 934,
D2/935, 936, 937, 938, 939, 940, 943, 946,
D2/947, 950, 965, 966, 968, 971, 972, 976,
D2/978; 36/83, 92, 96, 107, 136, 7.5, 7.1 A,
36/11.5, 25 R, 34 R, 36 R, 34 A, 34 B, 4,
36/5, 69, 76 HH, 77 R, 77 M, 82, 71.5, 72 R,
36/72 B, 73
- See application file for complete search history.

4,660,301 A *	4/1987	Atwood	36/72 B
4,662,082 A *	5/1987	Shabazz	36/72 B
4,727,659 A *	3/1988	Walker	36/72 B
4,794,705 A *	1/1989	Sanders	36/72 B
5,357,694 A *	10/1994	Mauck	36/72 B
5,507,105 A *	4/1996	Cancel	36/72 B
5,775,007 A *	7/1998	Expose	36/72 B
D404,895 S *	2/1999	Rosato	D2/946
D495,854 S *	9/2004	Francis	D2/915
D518,627 S *	4/2006	Weitzman	D2/925
D525,415 S *	7/2006	Kelsey	D2/930
D536,516 S *	2/2007	Sanders	D2/946
D550,446 S *	9/2007	Levesy	D2/976
D572,881 S *	7/2008	Ringholz	D2/915
D607,187 S *	1/2010	Hermann	D2/930
7,814,685 B1 *	10/2010	Tankson	36/72 B
D627,960 S *	11/2010	Guers-Neyraud	D2/971
D629,189 S *	12/2010	Feldman	D2/972
D634,105 S *	3/2011	Cheshire et al.	D2/925
D648,931 S *	11/2011	Weitzman	D2/929
D655,492 S *	3/2012	Choi	D2/971
8,141,275 B1 *	3/2012	Donaldson et al.	36/72 B

* cited by examiner

Primary Examiner — Elizabeth J Oswecki
(74) *Attorney, Agent, or Firm* — McCarter & English, LLP

(57) **CLAIM**
The ornamental design for a shoe with cape, as shown and described.

(56) **References Cited**

U.S. PATENT DOCUMENTS

D53,233 S *	4/1919	Benetti	D2/946
1,708,964 A *	4/1929	Boomer	36/72 B
D186,494 S *	11/1959	Riemann	D2/915
2,915,836 A *	12/1959	McDonough	36/72 B
D188,092 S *	6/1960	Silvio	D2/915
D190,221 S *	5/1961	Fahian	D2/966
3,095,659 A *	7/1963	McClellan	36/72 B
3,239,953 A *	3/1966	Norton	36/72 B
D253,498 S *	11/1979	Katz	D2/930
4,441,264 A *	4/1984	Hantz-Guibas et al.	36/72 B
4,461,100 A *	7/1984	Minor et al.	36/72 B
4,577,418 A *	3/1986	Nagy	36/72 B

DESCRIPTION

FIG. 1 is a left front perspective view of a shoe with cape showing our new design;
FIG. 2 is a left side view thereof;
FIG. 3 is a right side view thereof;
FIG. 4 is a front view thereof;
FIG. 5 is a top view thereof,
FIG. 6 is a rear view thereof; and,
FIG. 7 is a bottom view thereof.

1 Claim, 7 Drawing Sheets



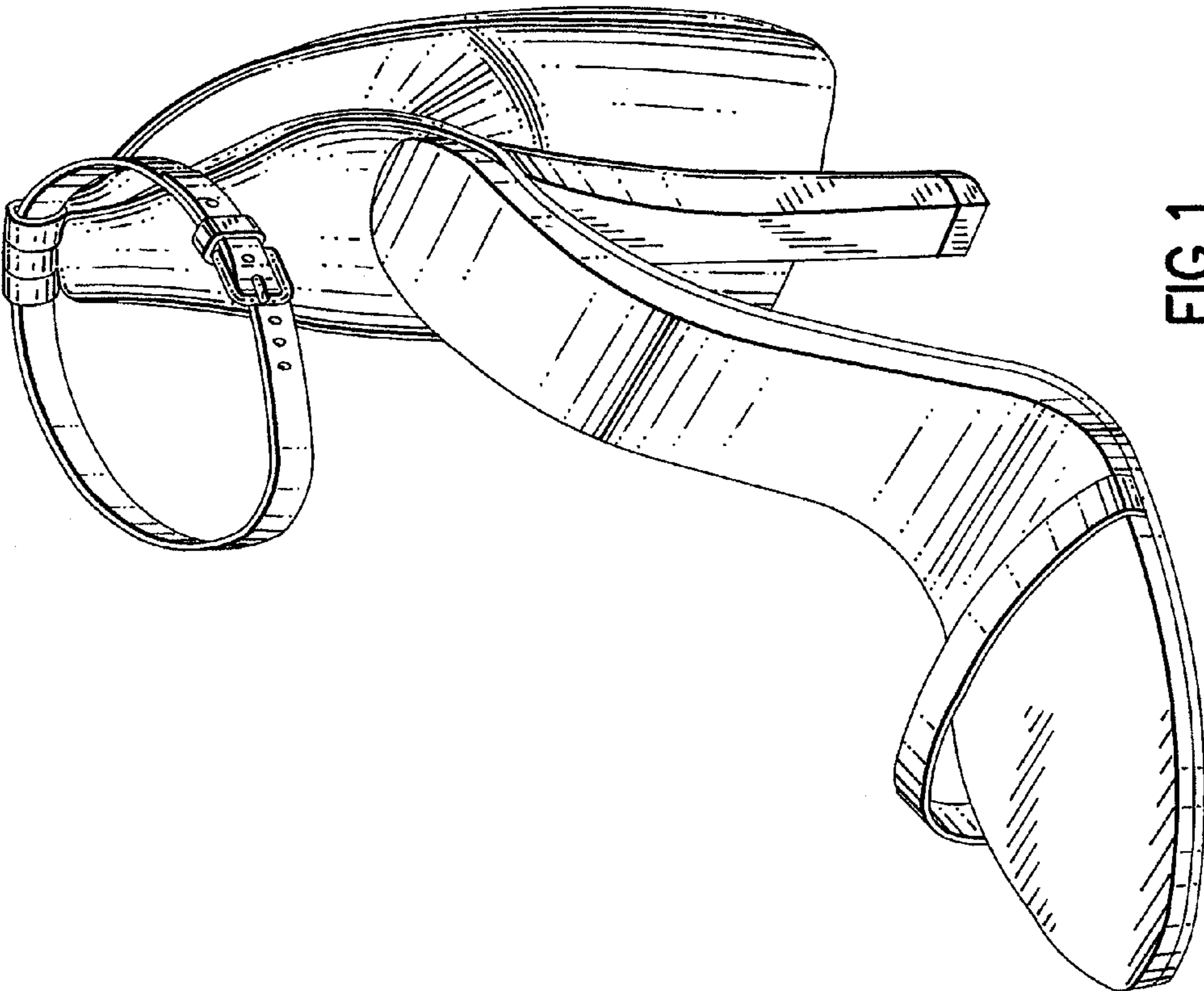


FIG. 1

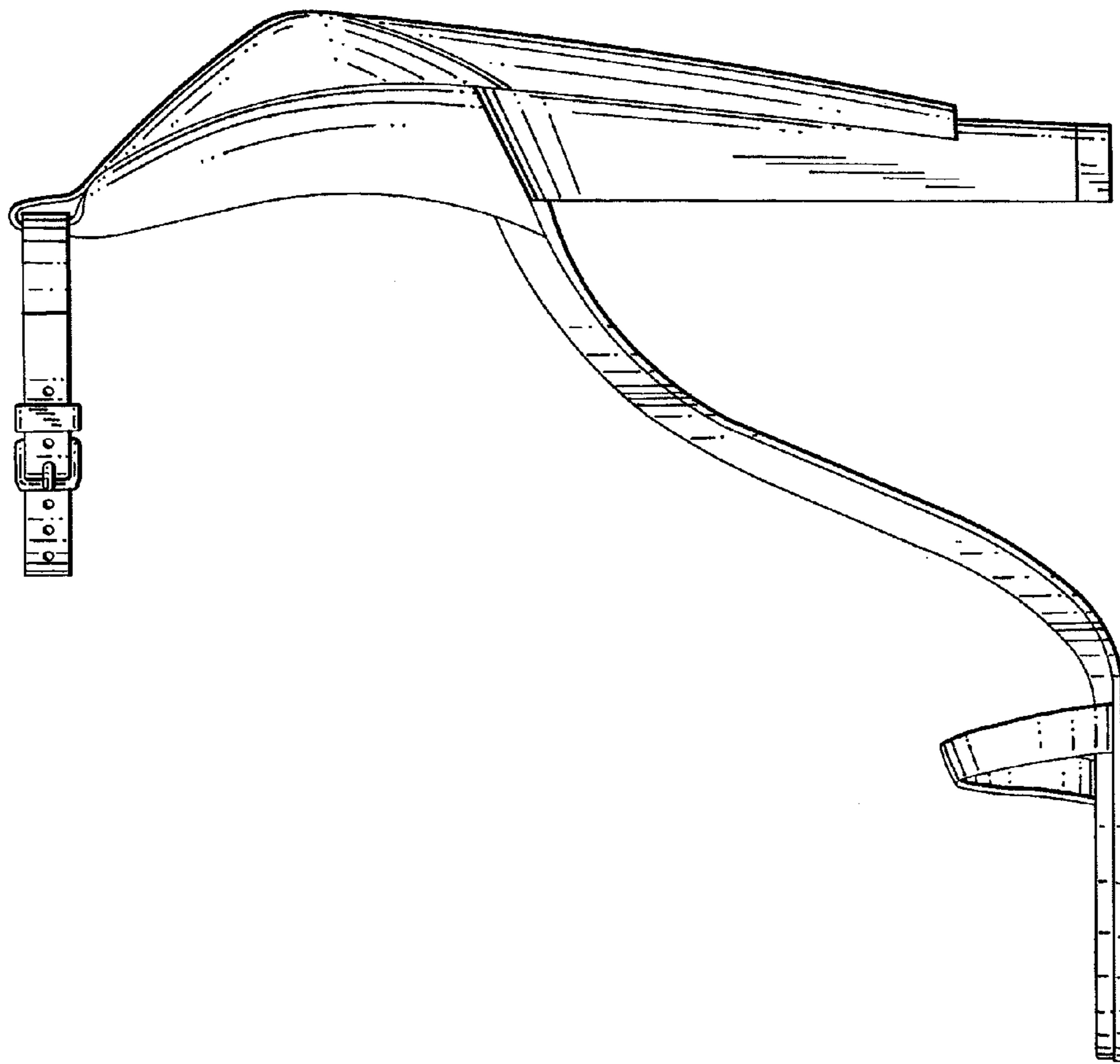


FIG.2

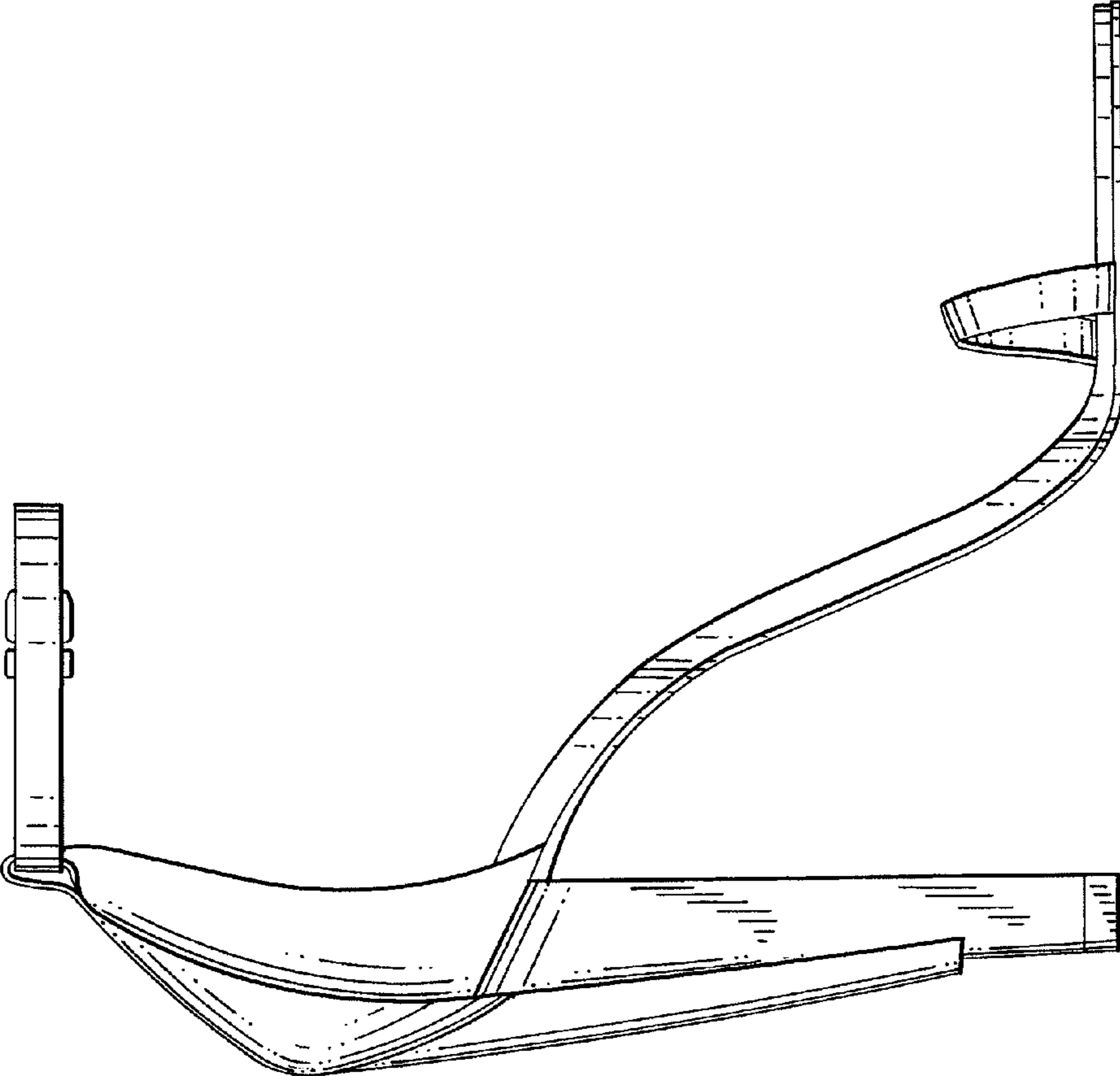


FIG.3

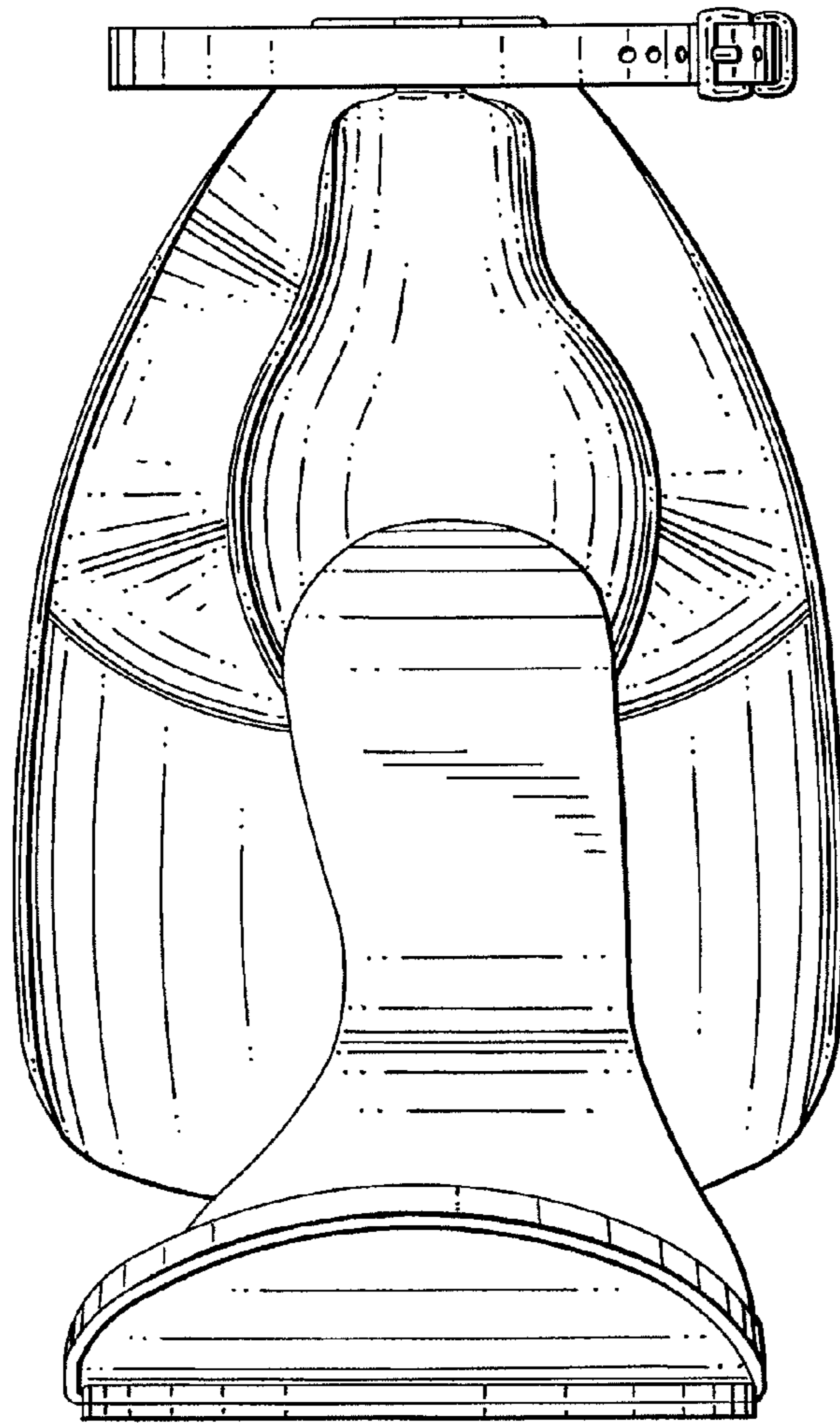


FIG. 4

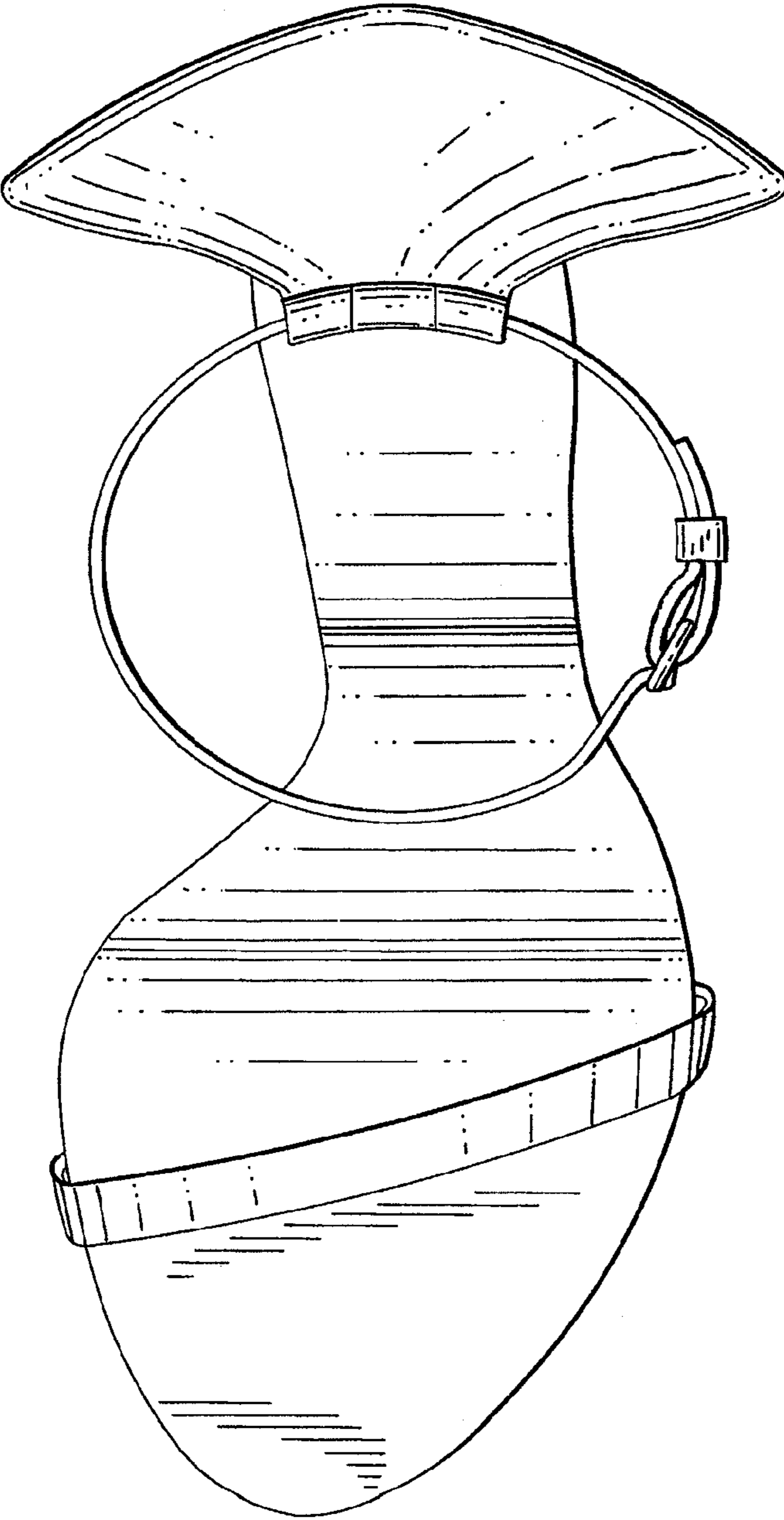


FIG.5

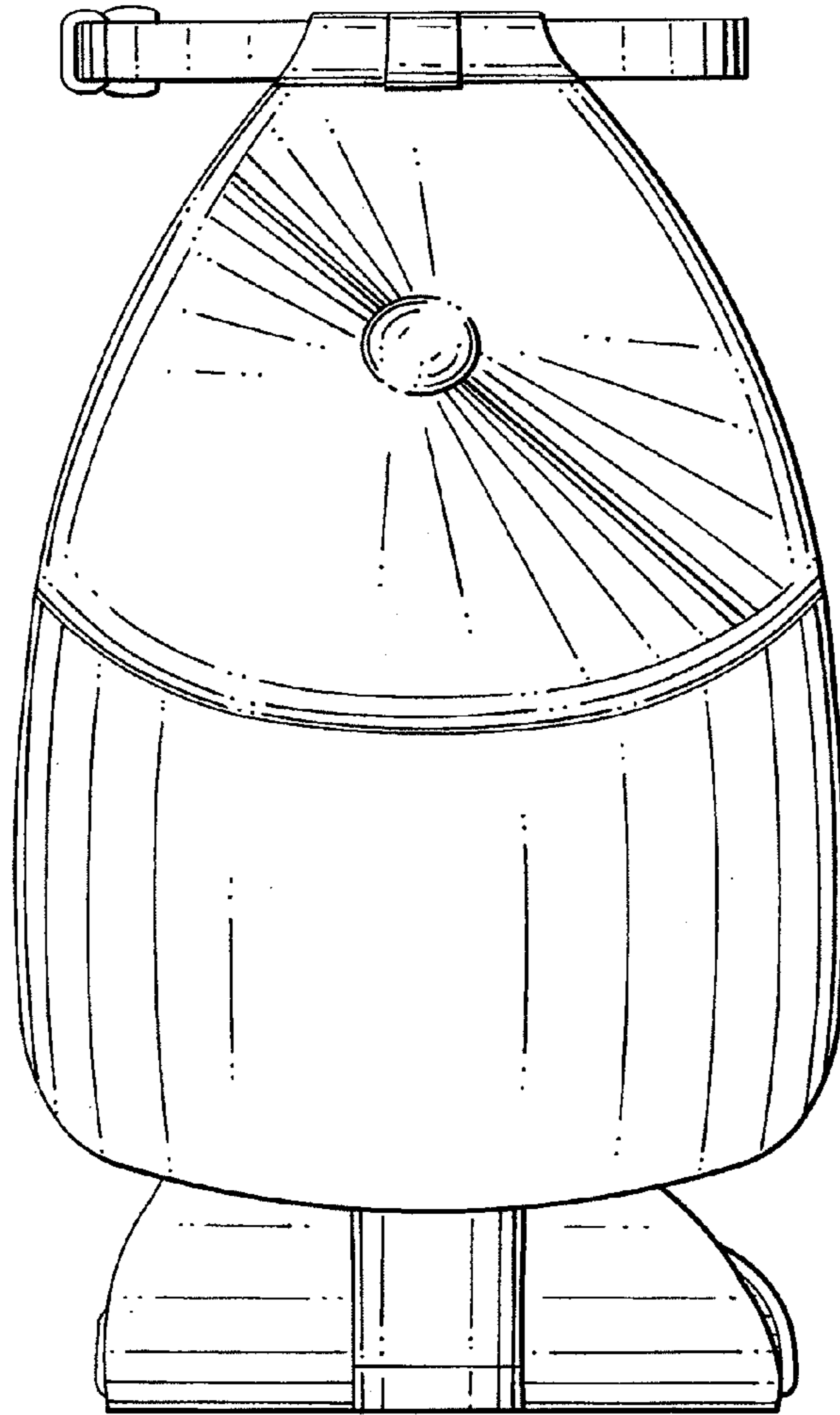


FIG.6

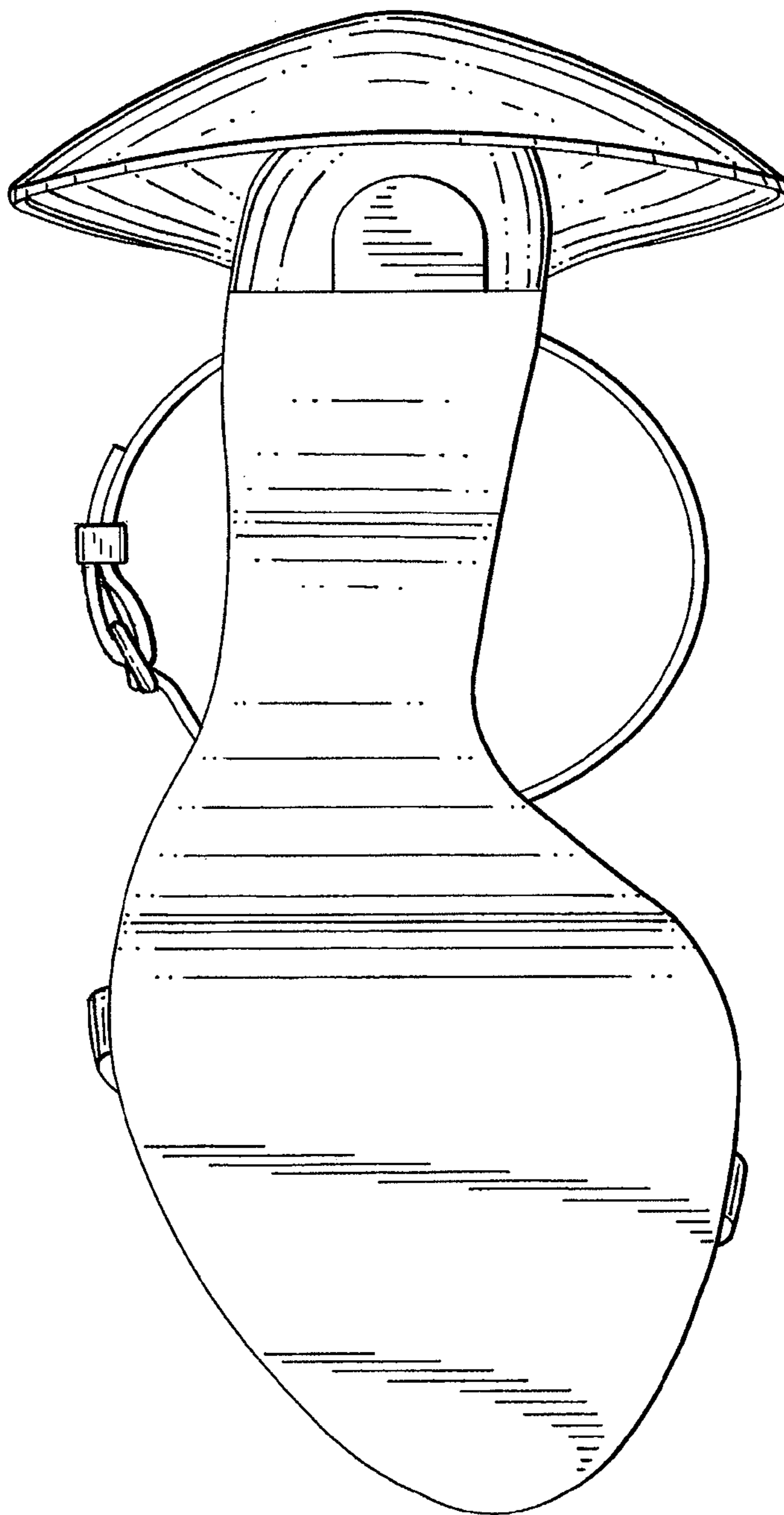


FIG. 7