



US00D668844S

(12) **United States Design Patent**
Wolff

(10) **Patent No.:** **US D668,844 S**
(45) **Date of Patent:** **** Oct. 16, 2012**

- (54) **WOMEN'S LOW CUT BOOT**
- (75) Inventor: **Gary Wolff**, Fenton, MO (US)
- (73) Assignee: **Wolff Shoe Company**, Fenton, MO (US)
- (**) Term: **14 Years**
- (21) Appl. No.: **29/395,965**
- (22) Filed: **Apr. 30, 2012**

Related U.S. Application Data

- (62) Division of application No. 29/395,423, filed on Jan. 17, 2012, which is a division of application No. 29/374,846, filed on Oct. 14, 2011, now Pat. No. Des. 657,942.
- (51) **LOC (9) Cl.** **02-04**
- (52) **U.S. Cl.** **D2/910; D2/925**
- (58) **Field of Classification Search** D2/896,
D2/909-912, 925, 929, 946, 970-978; 36/45,
36/50.1, 83, 113, 114, 127, 134, 136, 1.7 R,
36/47.3
See application file for complete search history.

References Cited

U.S. PATENT DOCUMENTS

D76,168 S	8/1928	Valentine et al.	
1,689,000 A	10/1928	Wagner	
D85,318 S *	10/1931	Bitgood	D2/910
D93,761 S *	11/1934	Liso	D2/929
D94,266 S	1/1935	Garside, Jr.	
D99,058 S	3/1936	Troy	
D100,416 S	7/1936	Elkin	
D101,046 S	9/1936	Kean	
D103,586 S *	3/1937	Perugia	D2/910
D103,588 S	3/1937	Perugia	
D104,472 S	5/1937	Perugia	
D108,491 S	2/1938	Ford et al.	
D113,964 S	3/1939	Craver	

D123,668 S *	11/1940	Donner	D2/911
D129,261 S *	9/1941	Justin	D2/911
D136,965 S	1/1944	Wharton	
D149,977 S	6/1948	Shaffer	
D152,255 S	1/1949	Goeller	
D154,461 S	7/1949	Burt	
D155,573 S	10/1949	Bingham, Jr.	
D173,932 S	2/1955	Bingham, Jr.	
2,725,647 A *	12/1955	Hugger	36/7.3
D189,742 S	2/1961	Slade	
D210,511 S	3/1968	Dorsey	
D370,114 S	5/1996	Vance et al.	
D437,104 S	2/2001	Mallery	
D501,978 S	2/2005	Choi	
D503,034 S	3/2005	Choi	
D648,927 S	11/2011	Wolff	
D657,942 S	4/2012	Wolff	

* cited by examiner

Primary Examiner — Robert M Spear

Assistant Examiner — Rashida C McCoy

(74) *Attorney, Agent, or Firm* — Paul M. Denk

(57) **CLAIM**

The ornamental design for the women's low cut boot, as shown and described.

DESCRIPTION

This divisional design patent application claims priority to the design patent application having Serial No. 29/373,022, filed Feb. 18, 2011, now U.S. Pat. No. D648,927.

FIG. 1 is an isometric view of a modification to the women's low cut boot of this invention;

FIG. 2 is a top plan view;

FIG. 3 is a bottom view;

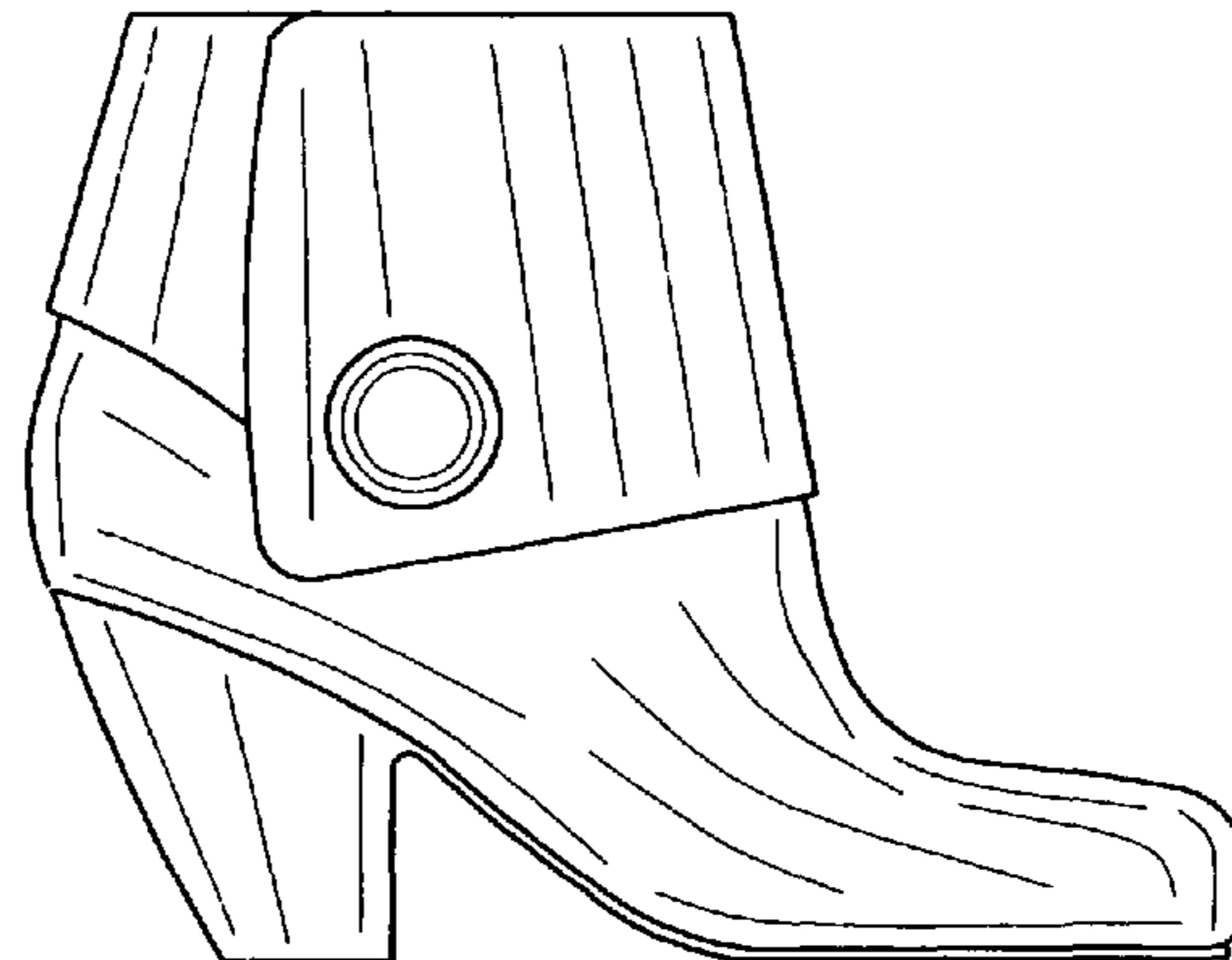
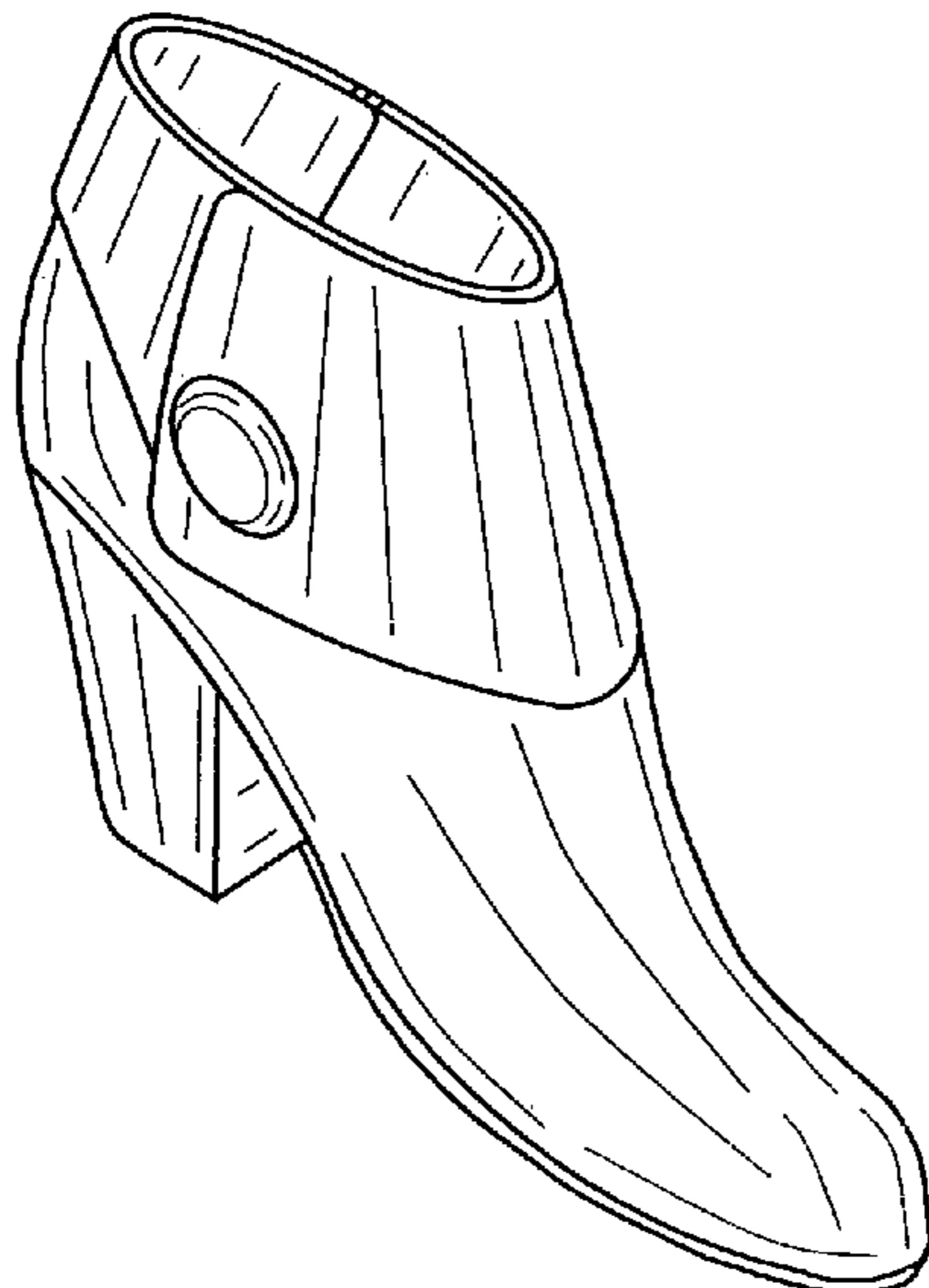
FIG. 4 is a right side view;

FIG. 5 is a left side view;

FIG. 6 is a front view; and,

FIG. 7 is a rear view.

1 Claim, 2 Drawing Sheets



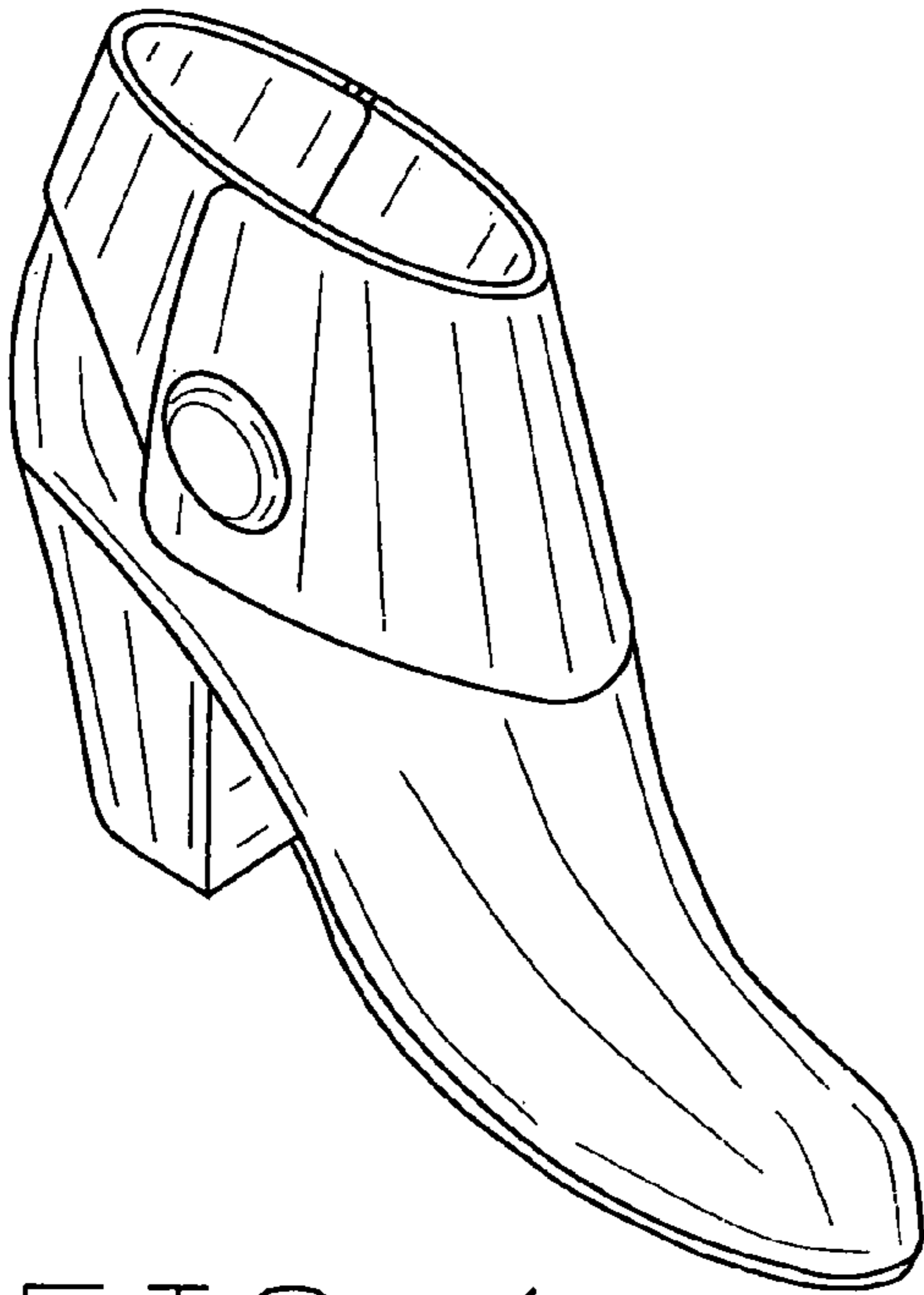


FIG. 1

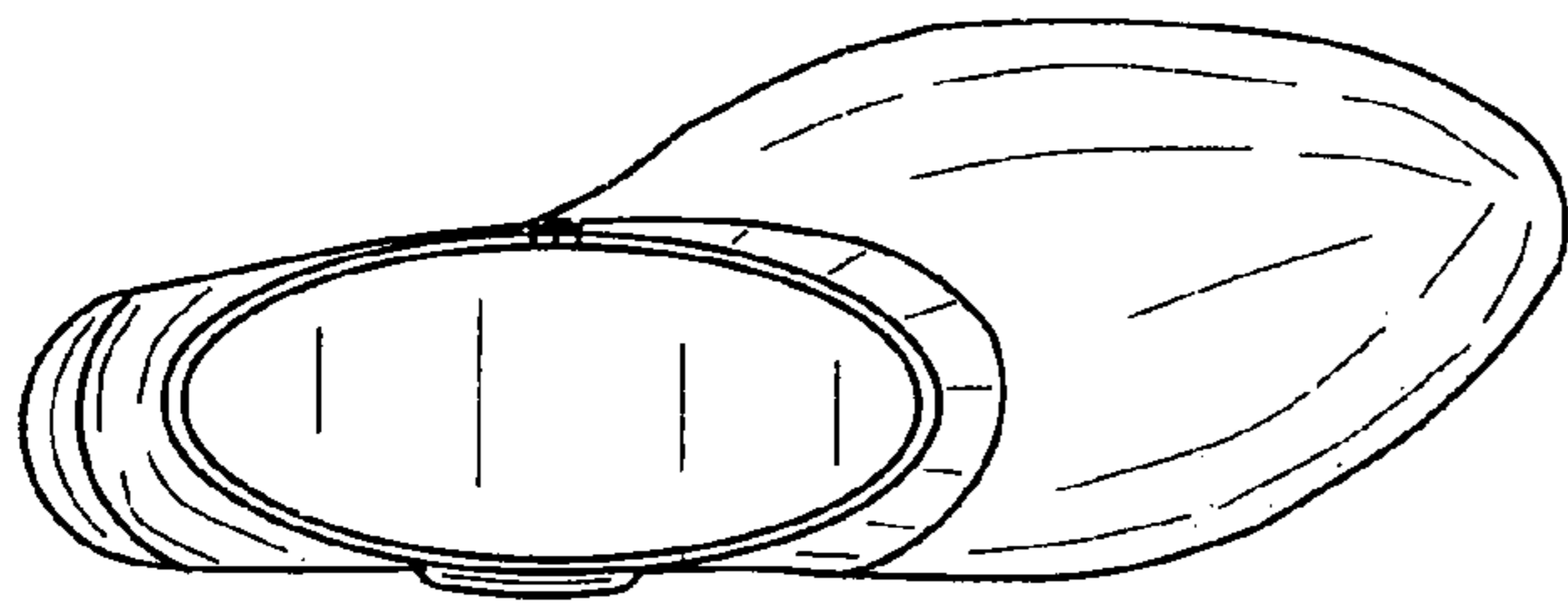


FIG. 2

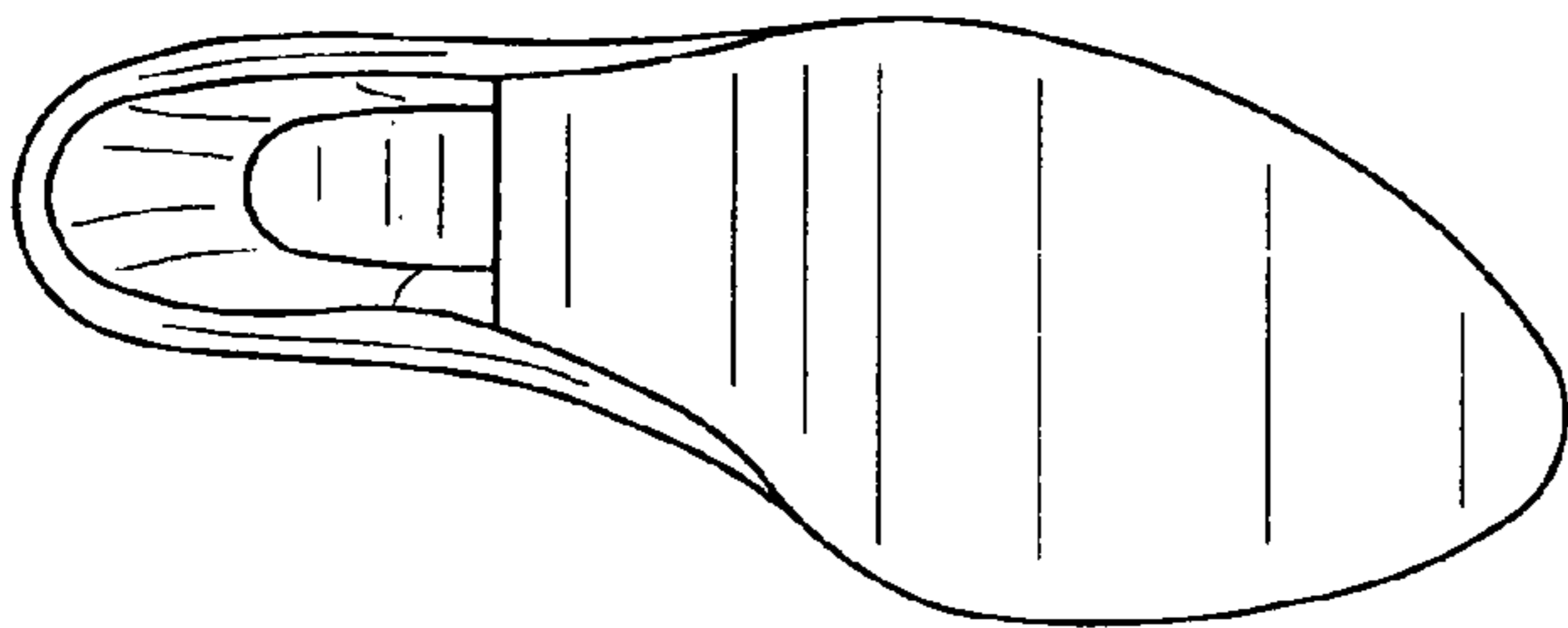


FIG. 3

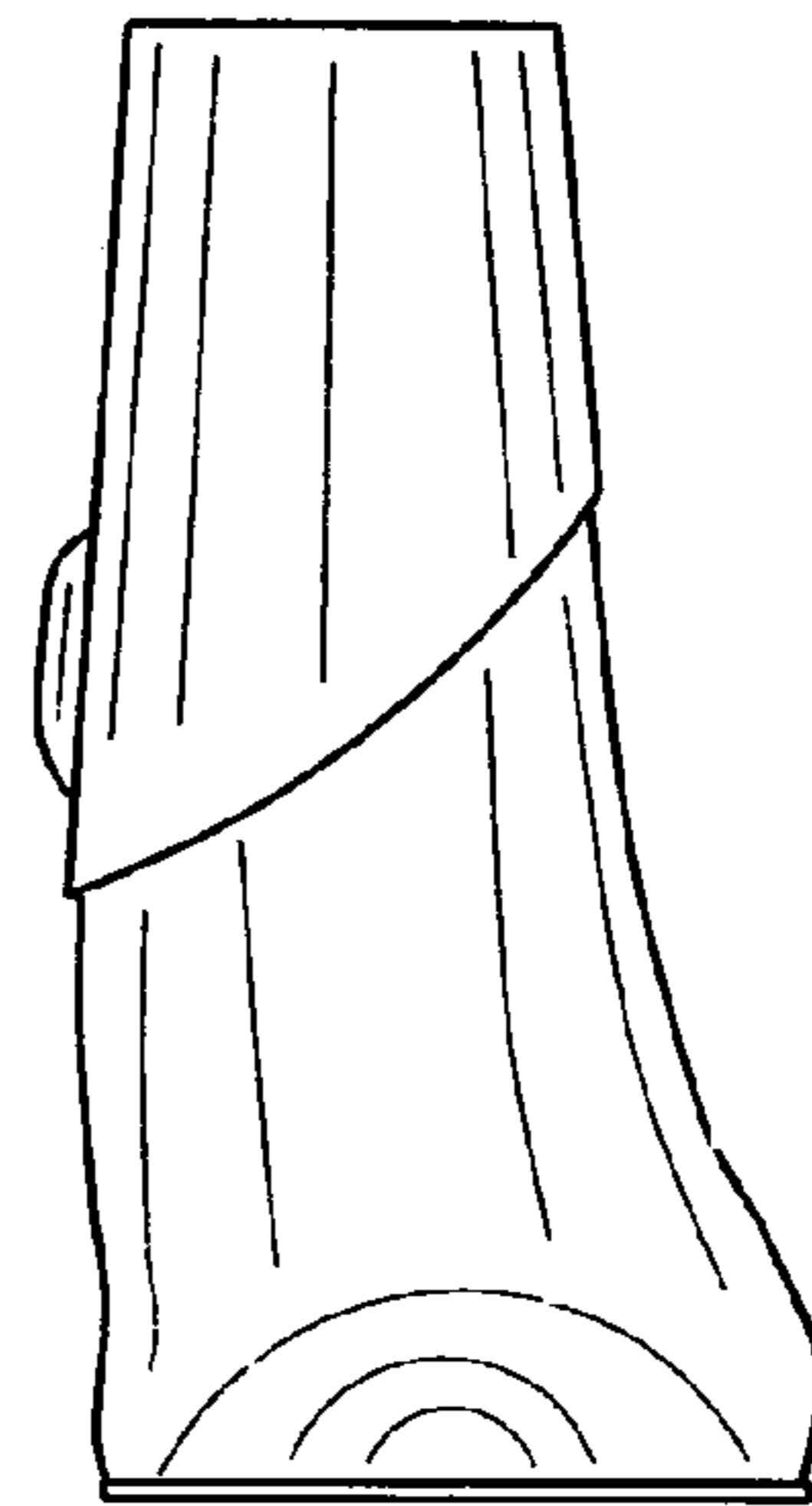


FIG. 6

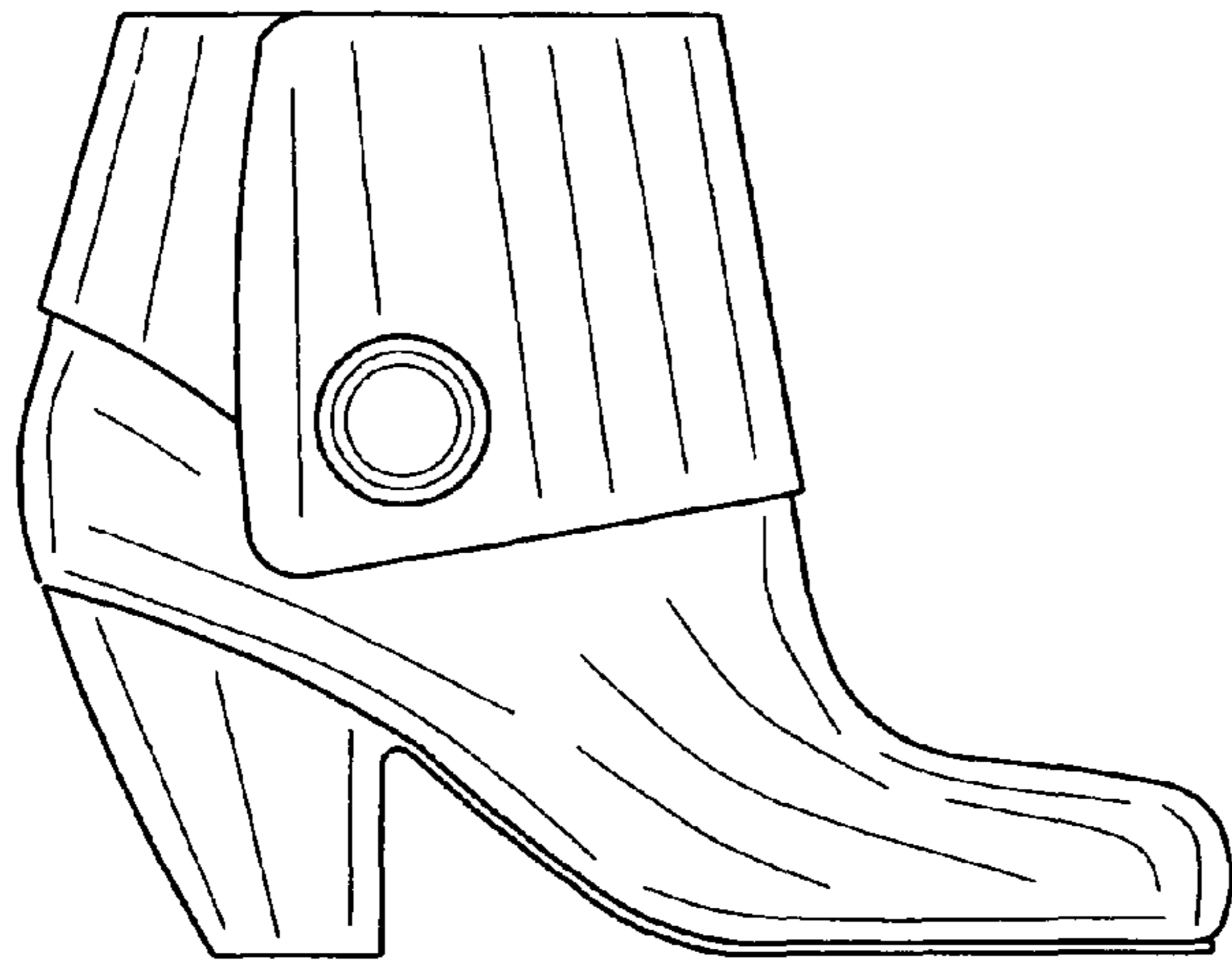


FIG. 4

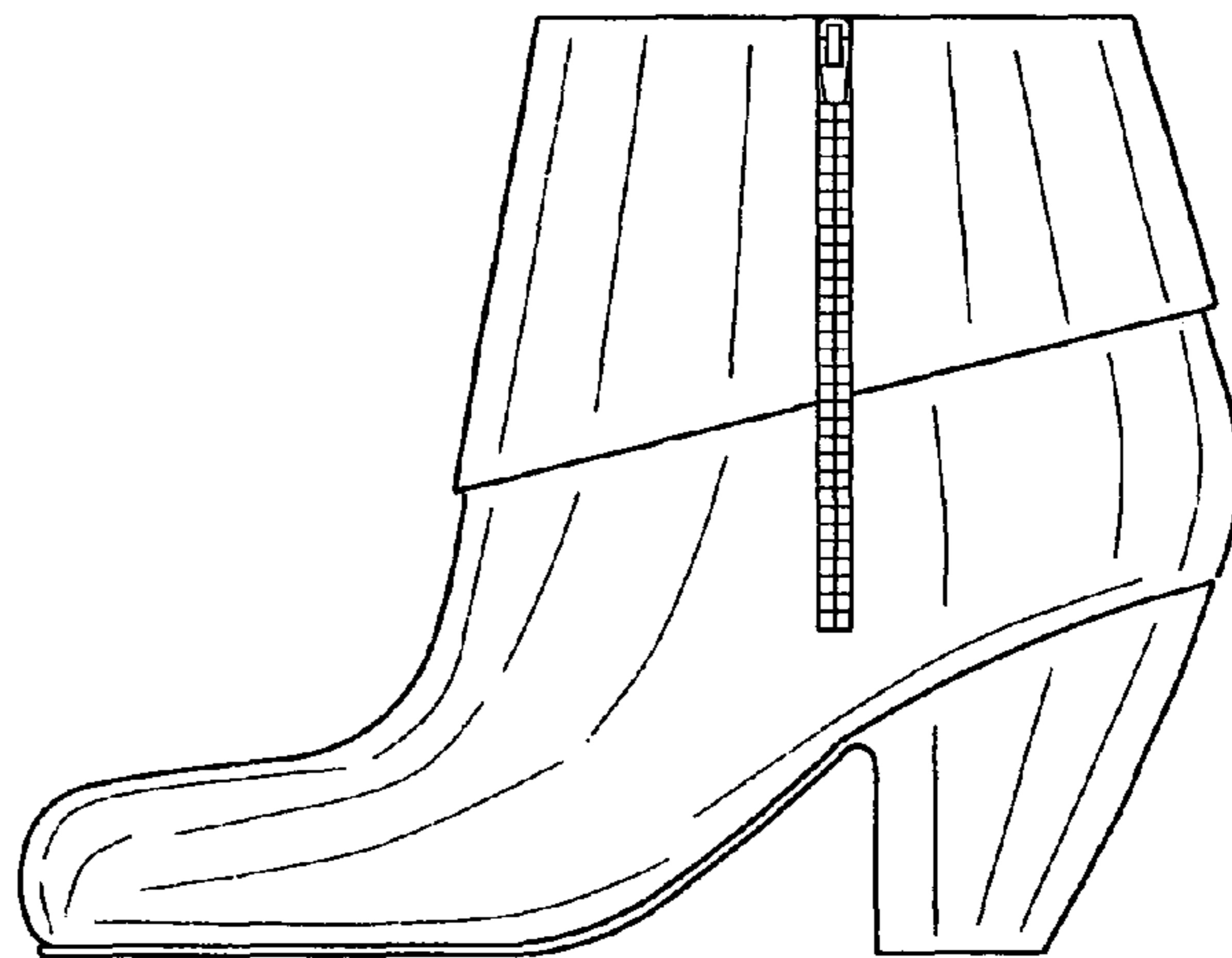


FIG. 5

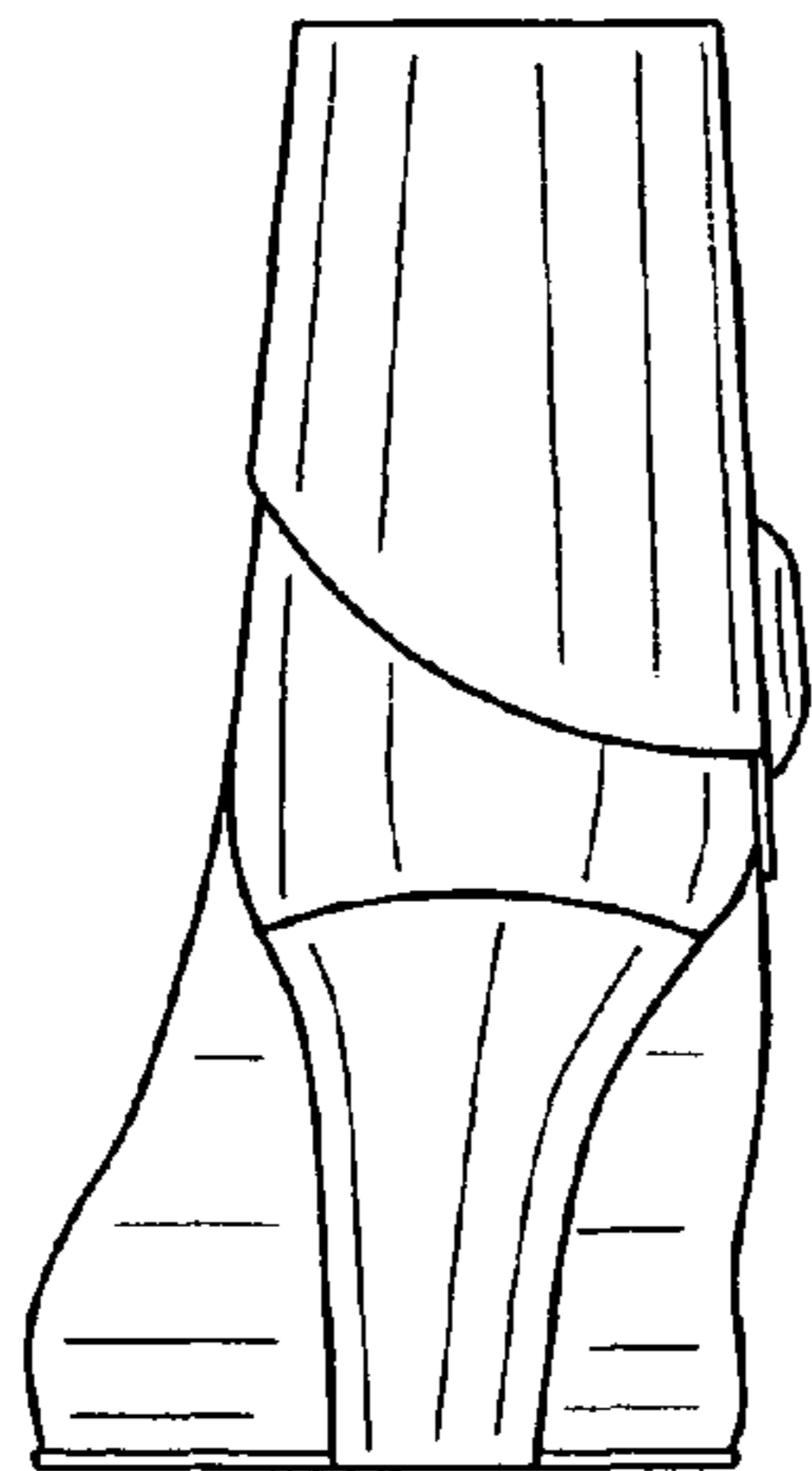


FIG. 7