

US00D668837S

(12) **United States Design Patent**
Palladino

(10) **Patent No.:** **US D668,837 S**

(45) **Date of Patent:** **** Oct. 16, 2012**

(54) **BRA**

(76) **Inventor:** **Anne T. Palladino**, Grand Rapids, MN
(US)

(**) **Term:** **14 Years**

(21) **Appl. No.:** **29/388,174**

(22) **Filed:** **Mar. 24, 2011**

(51) **LOC (9) Cl.** **02-01**

(52) **U.S. Cl.** **D2/708**

(58) **Field of Classification Search** D2/700,
D2/703, 706, 708, 709, 710, 731, 736, 737;
2/67, 109, 113; 66/171, 176; 450/1, 2, 3,
450/34, 65, 67, 69, 70, 74, 75, 76, 88, 89

See application file for complete search history.

(56) **References Cited**

U.S. PATENT DOCUMENTS

| | | | | |
|-----------|------|--------|-----------------|--------|
| 2,436,430 | A * | 2/1948 | Hart | 450/3 |
| 3,263,685 | A * | 8/1966 | Bernfeld | 450/65 |
| D408,963 | S * | 5/1999 | Consolo | D2/706 |
| 6,517,410 | B1 * | 2/2003 | Underhill | 450/1 |
| 6,626,733 | B1 * | 9/2003 | Knutson | 450/89 |
| 7,364,491 | B2 * | 4/2008 | Updyke | 450/89 |
| D630,817 | S * | 1/2011 | McKee | D2/706 |
| 8,128,457 | B2 * | 3/2012 | Reinisch et al. | 450/59 |
| D658,352 | S * | 5/2012 | Pinner | D2/706 |

| | | | | |
|--------------|------|--------|--------|--------|
| 2004/0010836 | A1 * | 1/2004 | Audi | 2/69 |
| 2005/0075047 | A1 * | 4/2005 | Zagame | 450/38 |
| 2008/0032600 | A1 * | 2/2008 | Updyke | 450/89 |

* cited by examiner

Primary Examiner — Karen E Eldridge Powers

(74) *Attorney, Agent, or Firm* — QuickPatents, Inc.; Kevin Prince

(57) **CLAIM**

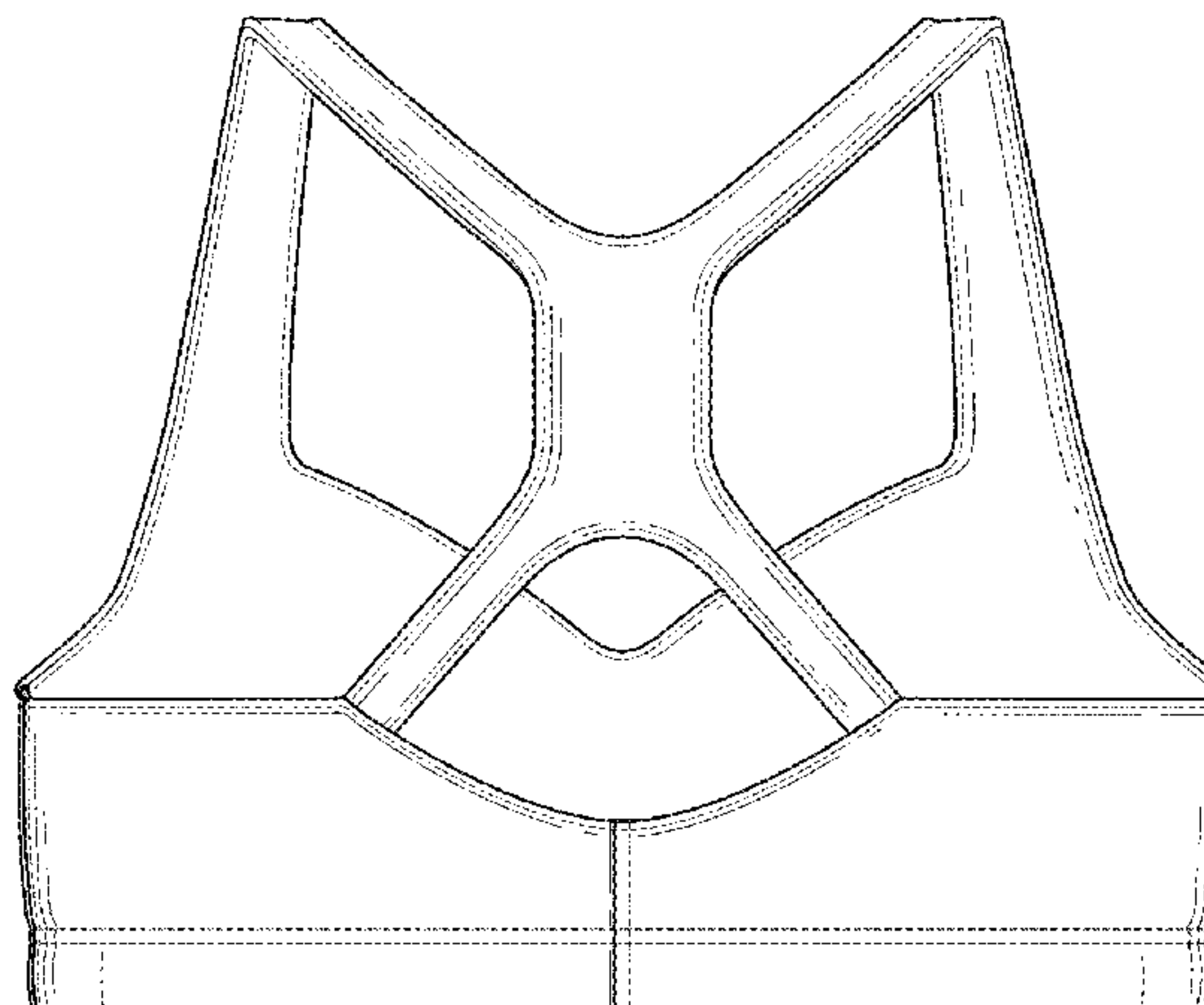
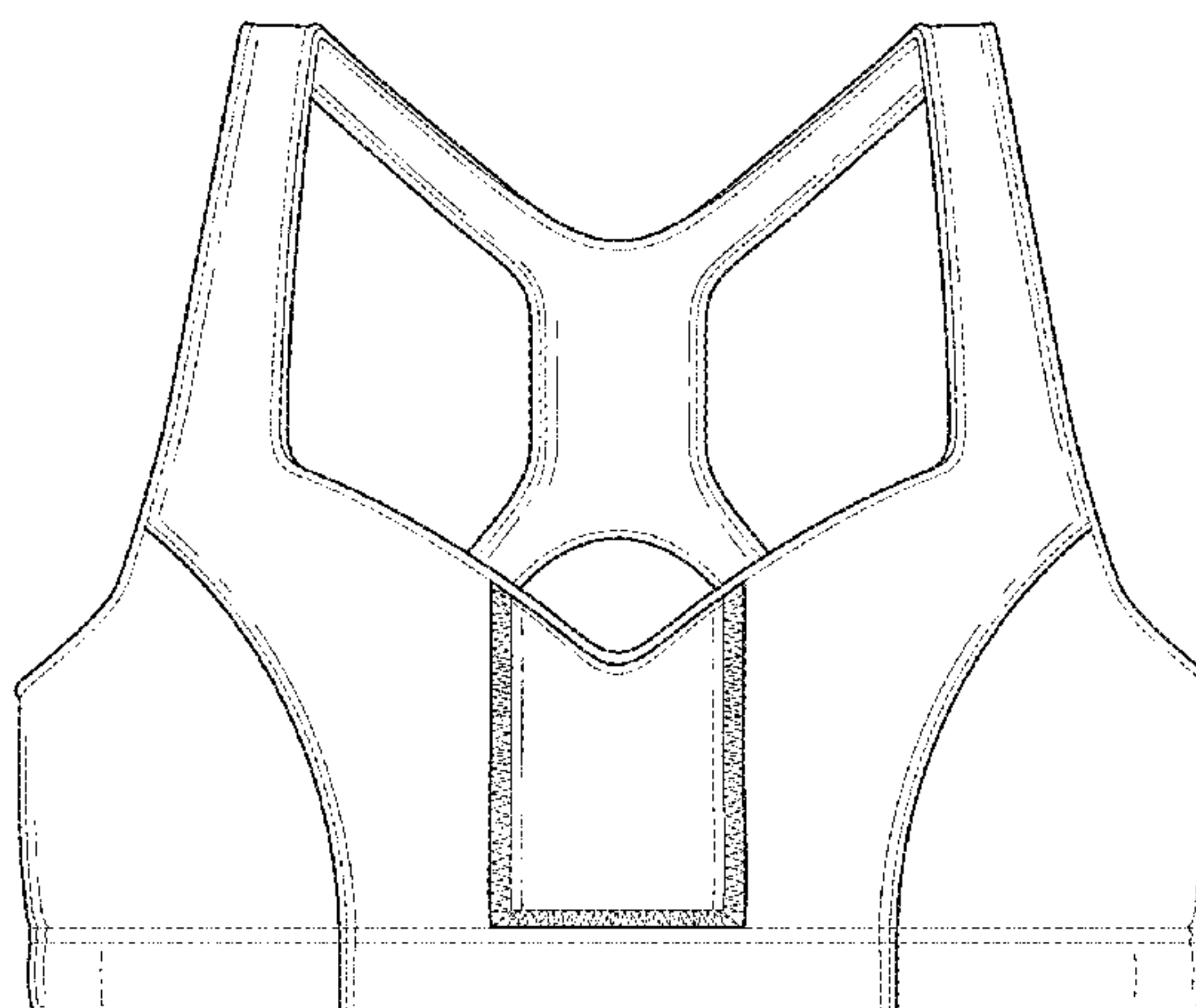
I claim the ornamental design for a bra, as shown and described.

DESCRIPTION

FIG. 1 is a perspective view of a bra, showing my new design; FIG. 2 is a front elevational view thereof; FIG. 3 is a rear elevational view thereof; FIG. 4 is a right-side elevational view thereof; FIG. 5 is a left-side elevational view thereof; FIG. 6 is a top plan view thereof; and, FIG. 7 is a bottom plan view thereof.

The broken lines showing a person and two rectangle-shaped objects in FIG. 1 depict environmental matter and form no part of the claimed design. The remaining broken lines represent stitching, and are part of the claimed design.

1 Claim, 4 Drawing Sheets



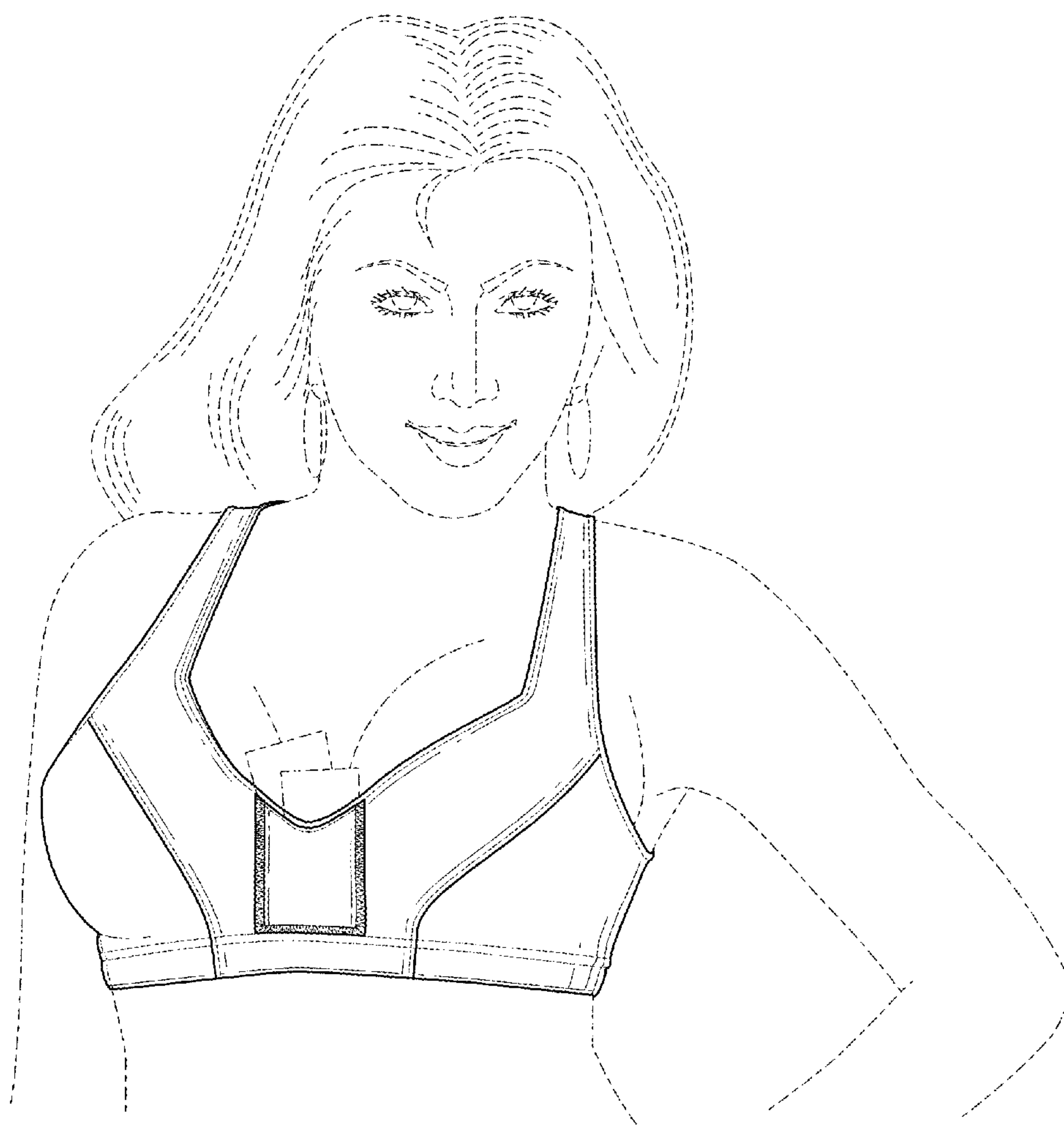


FIG. 1

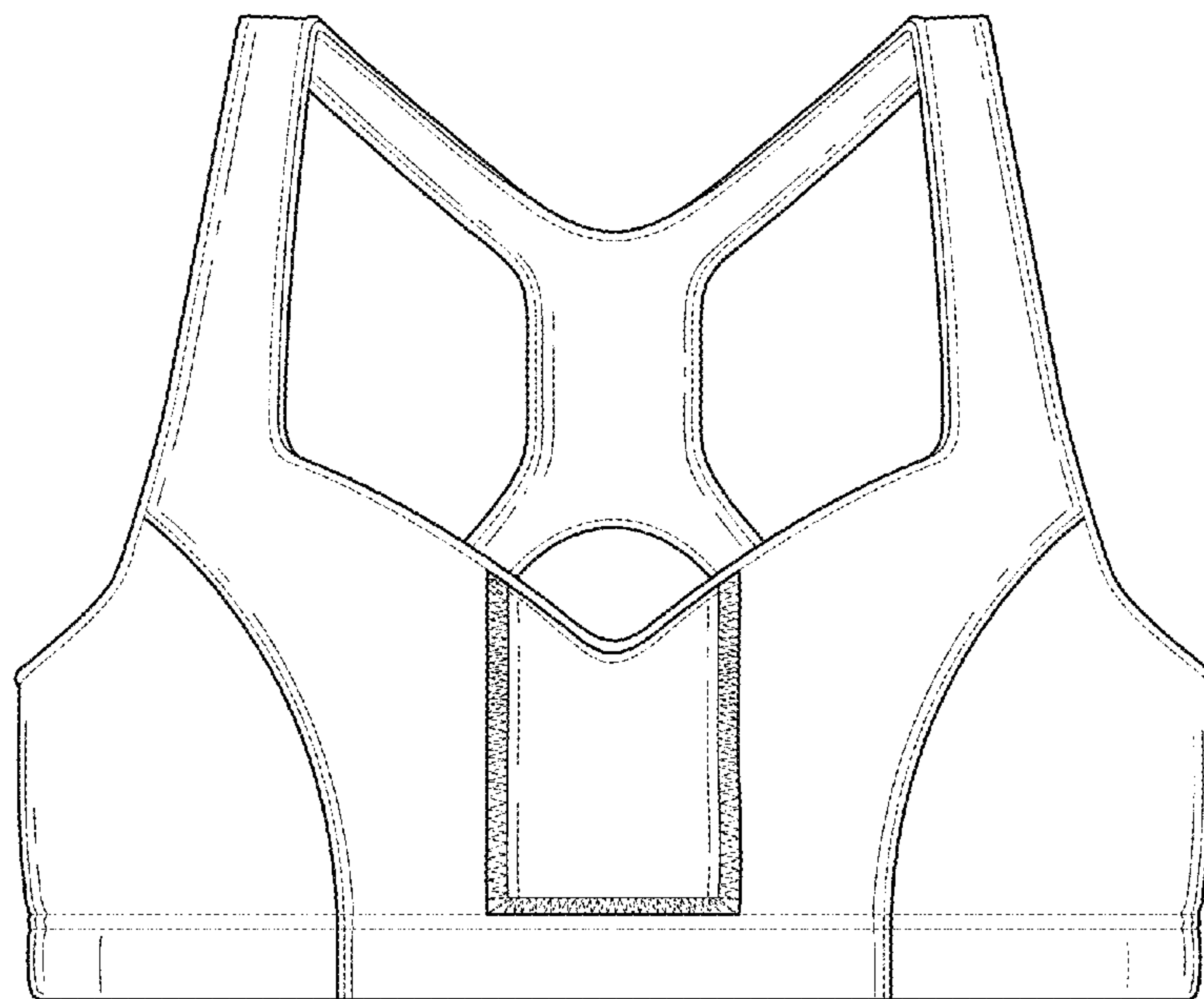


FIG. 2

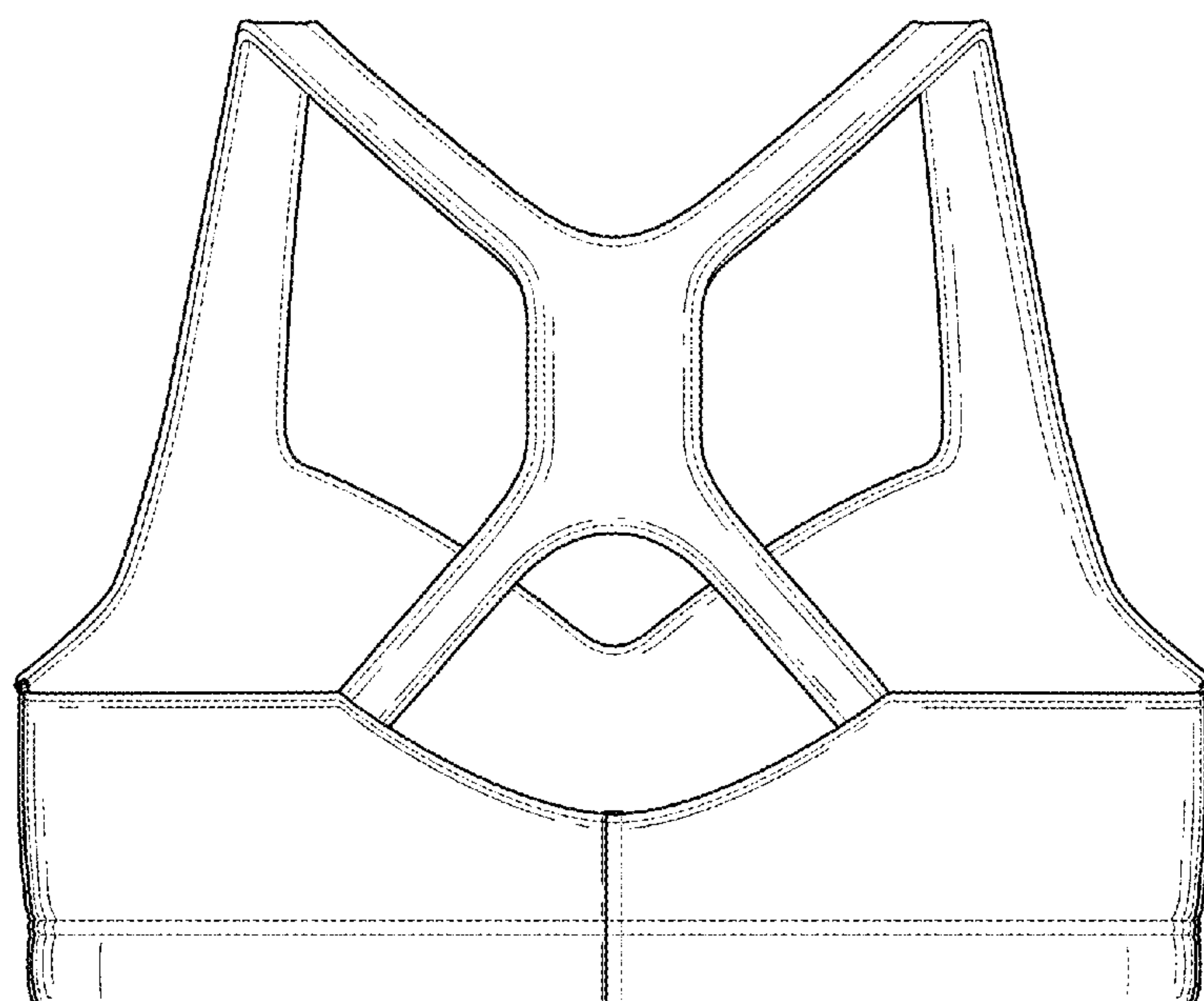


FIG. 3

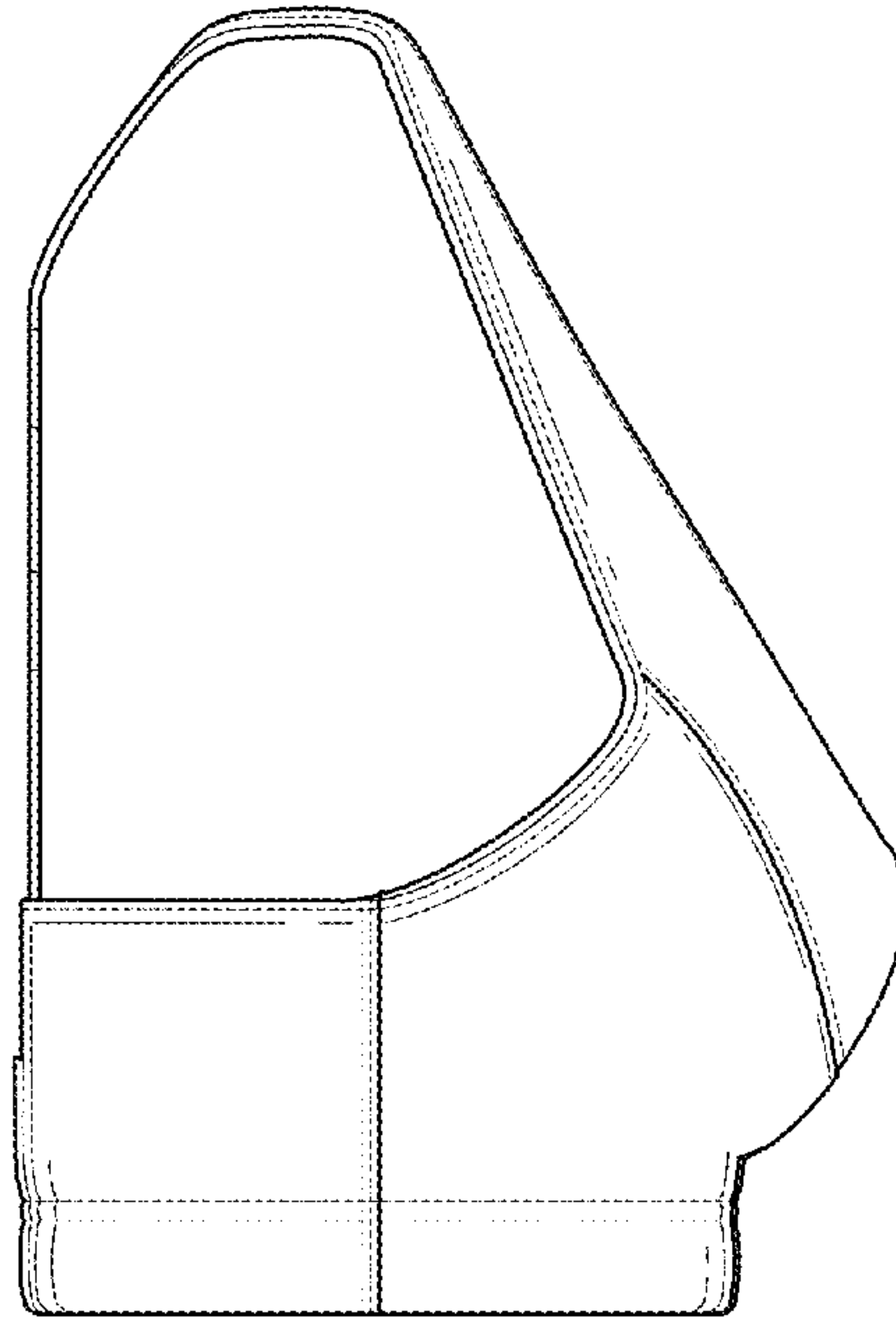


FIG. 4

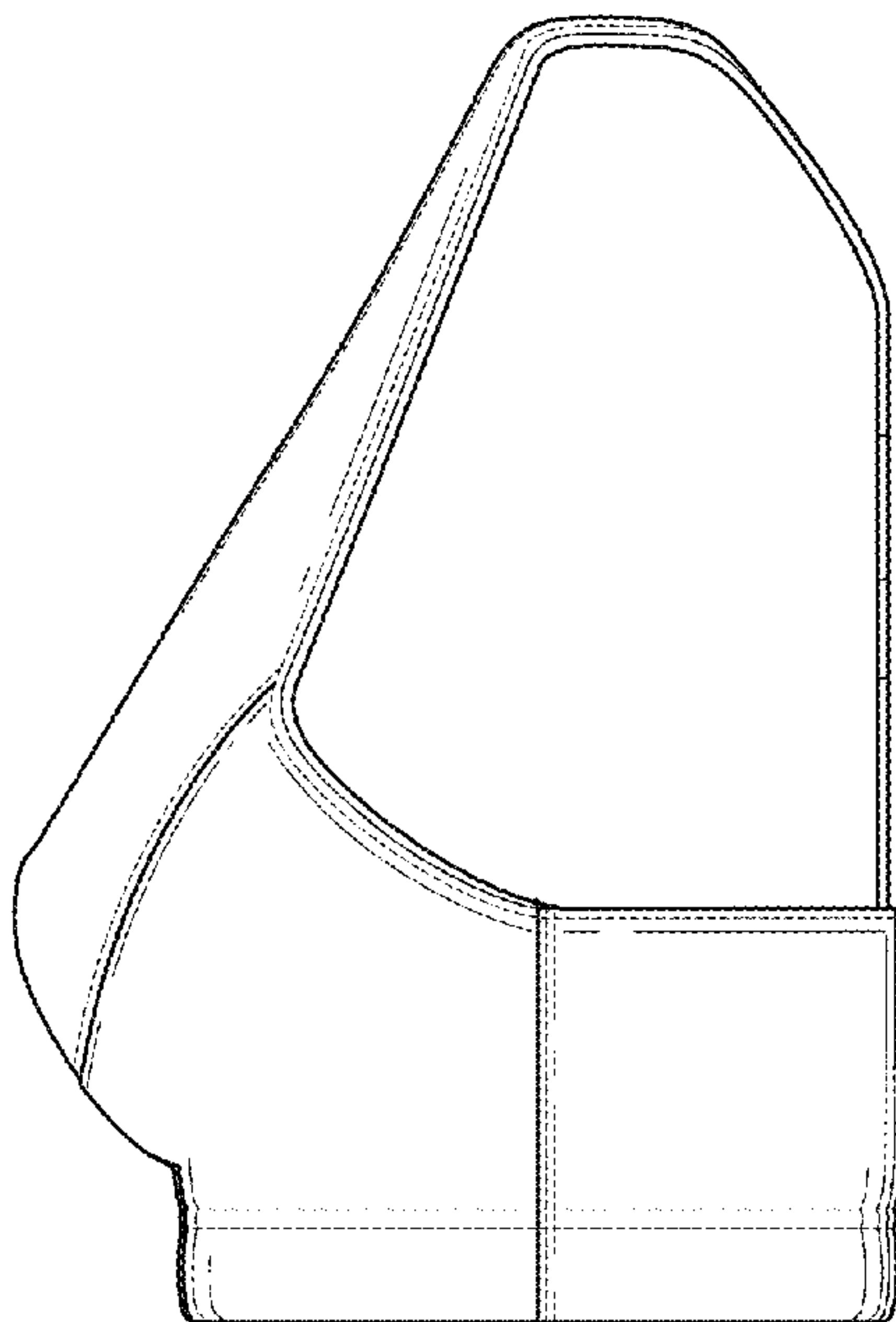


FIG. 5

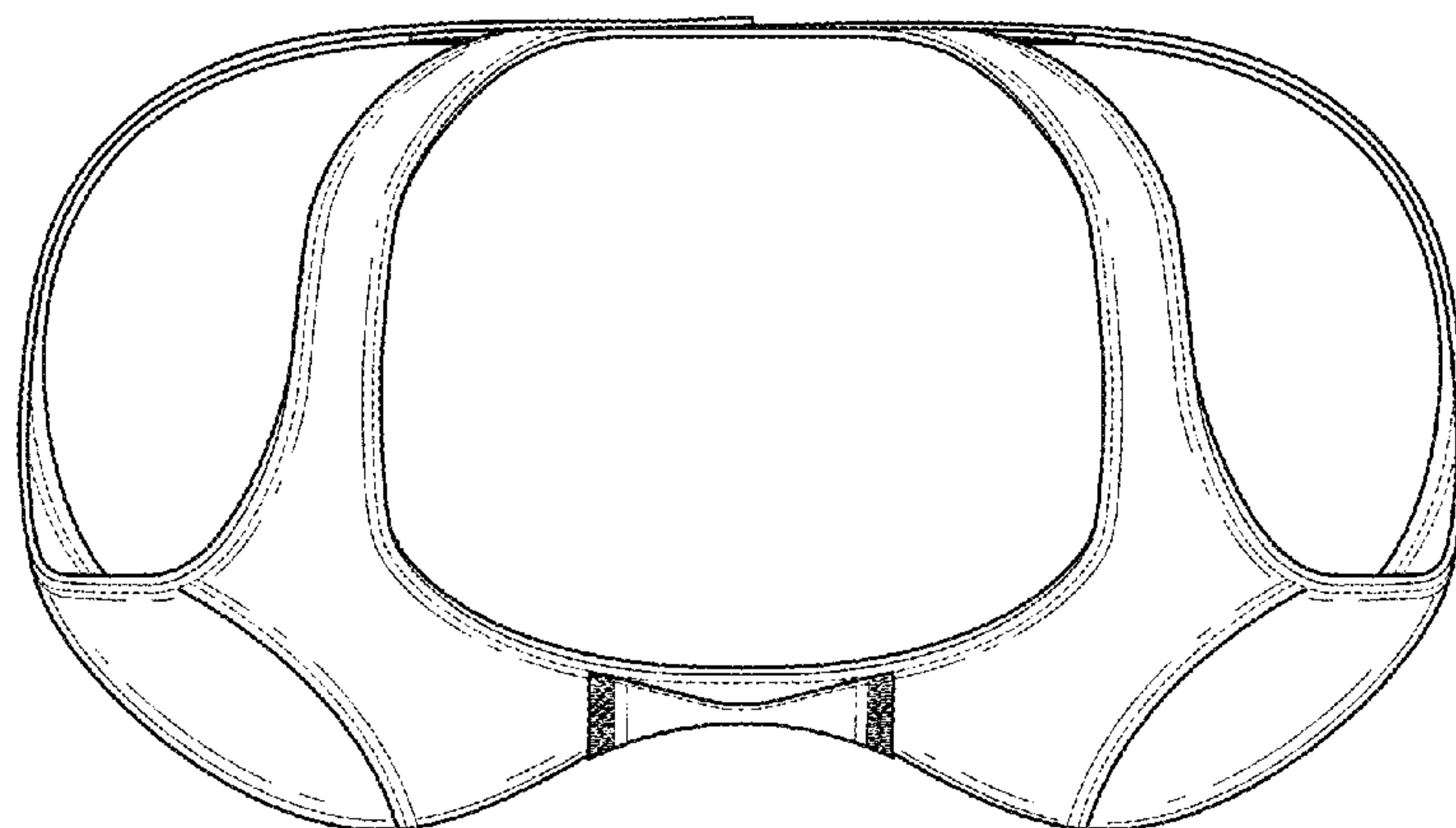


FIG. 6

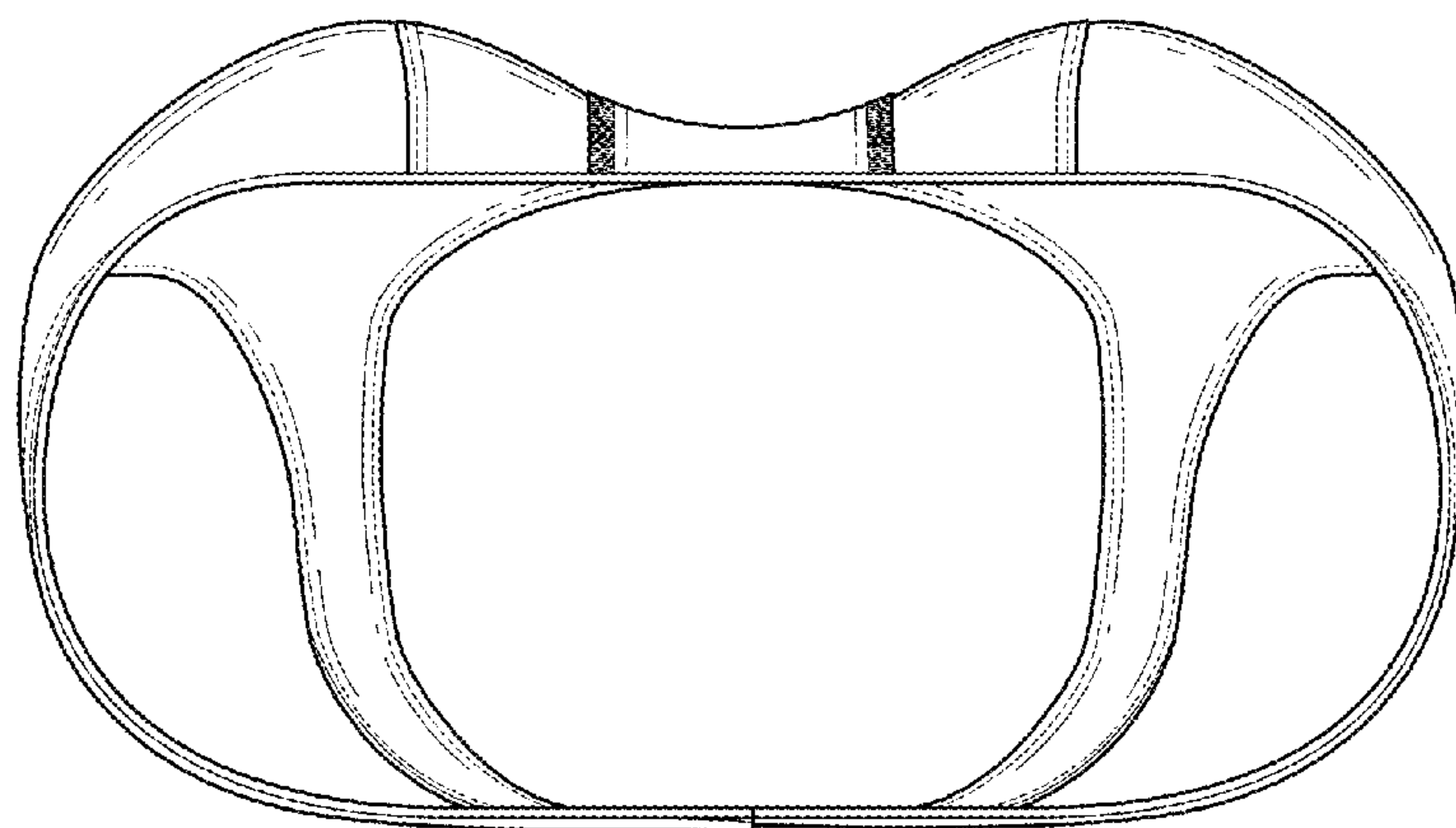


FIG. 7