

US00D668836S

(12) **United States Design Patent**
Martin

(10) **Patent No.:** **US D668,836 S**

(45) **Date of Patent:** **** Oct. 16, 2012**

(54) **TIE**

(76) Inventor: **Michael Eric Martin**, Reidsville, NC
(US)

(**) Term: **14 Years**

(21) Appl. No.: **29/398,028**

(22) Filed: **Jul. 25, 2011**

(51) **LOC (9) Cl.** **02-03**

(52) **U.S. Cl.** **D2/605**

(58) **Field of Classification Search** D2/600,
D2/601, 602, 603, 604, 605, 606, 607, 608,
D2/609; D6/315; D9/702, 711, 721, 722,
D9/414, 415, 457; D11/200, 201, 202, 216;
2/130, 144, 145, 146, 147, 148, 149, 150,
2/151, 152.1, 153, 154, 155, 156, 157; 24/625;
206/278, 288, 289, 292, 495; 223/85, 87,
223/88; 248/340

See application file for complete search history.

(56) **References Cited**

U.S. PATENT DOCUMENTS

D18,454 S	7/1888	Rawak	
D18,670 S	10/1888	Von Brennerberg	
1,349,486 A *	8/1920	Bakerman	2/150
1,431,268 A *	10/1922	Spiegler	2/157
1,527,665 A *	2/1925	Benoit	2/153
2,408,455 A *	10/1946	Taborski et al.	2/150
2,411,753 A *	11/1946	Pfau	2/148
D151,380 S	10/1948	Margolis et al.	
2,495,614 A *	1/1950	Vandermark	2/153
D178,449 S	8/1956	Brown	
2,874,386 A *	2/1959	Loomis	2/150
3,284,807 A	11/1966	Espino	
3,364,500 A *	1/1968	Fox	2/150

(Continued)

Primary Examiner — Karen E Eldridge Powers

(74) *Attorney, Agent, or Firm* — QuickPatents, Inc.; Kevin Prince

(57) **CLAIM**

I claim the ornamental design for a tie, as shown and described.

DESCRIPTION

FIG. 1 is a perspective view of a tie, showing my new design in a fastened position;

FIG. 2 is an exploded perspective view thereof, illustrated in an unfastened position;

FIG. 3 is an exploded front elevation view of the design as shown in FIG. 2, except in a fastened position;

FIG. 4 is an exploded rear elevation view thereof;

FIG. 5 is an exploded left-side elevation view thereof;

FIG. 6 is an exploded right-side elevation view thereof;

FIG. 7 is an enlarged exploded top plan view of the design of FIGS. 1-8, the components thereof being shown separately for ease of illustration;

FIG. 8 is an enlarged exploded bottom plan view thereof;

FIG. 9 is a perspective view of a tie, showing a second embodiment of my new design in a fastened position;

FIG. 10 is an exploded perspective view thereof, illustrated in an unfastened position;

FIG. 11 is an exploded front elevation view of the design as shown in FIG. 10, except in a fastened position;

FIG. 12 is an exploded rear elevation view thereof;

FIG. 13 is an exploded left-side elevation view thereof;

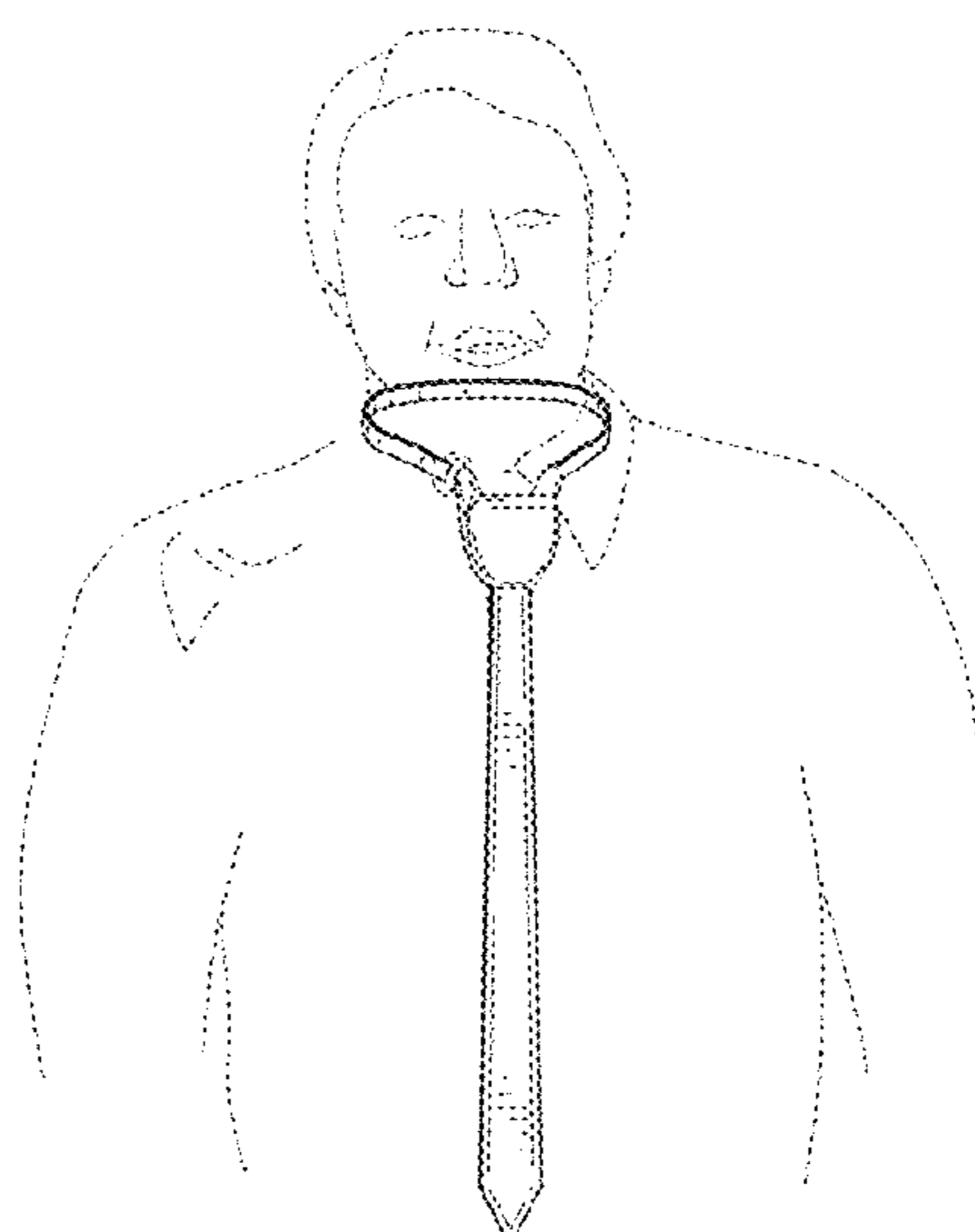
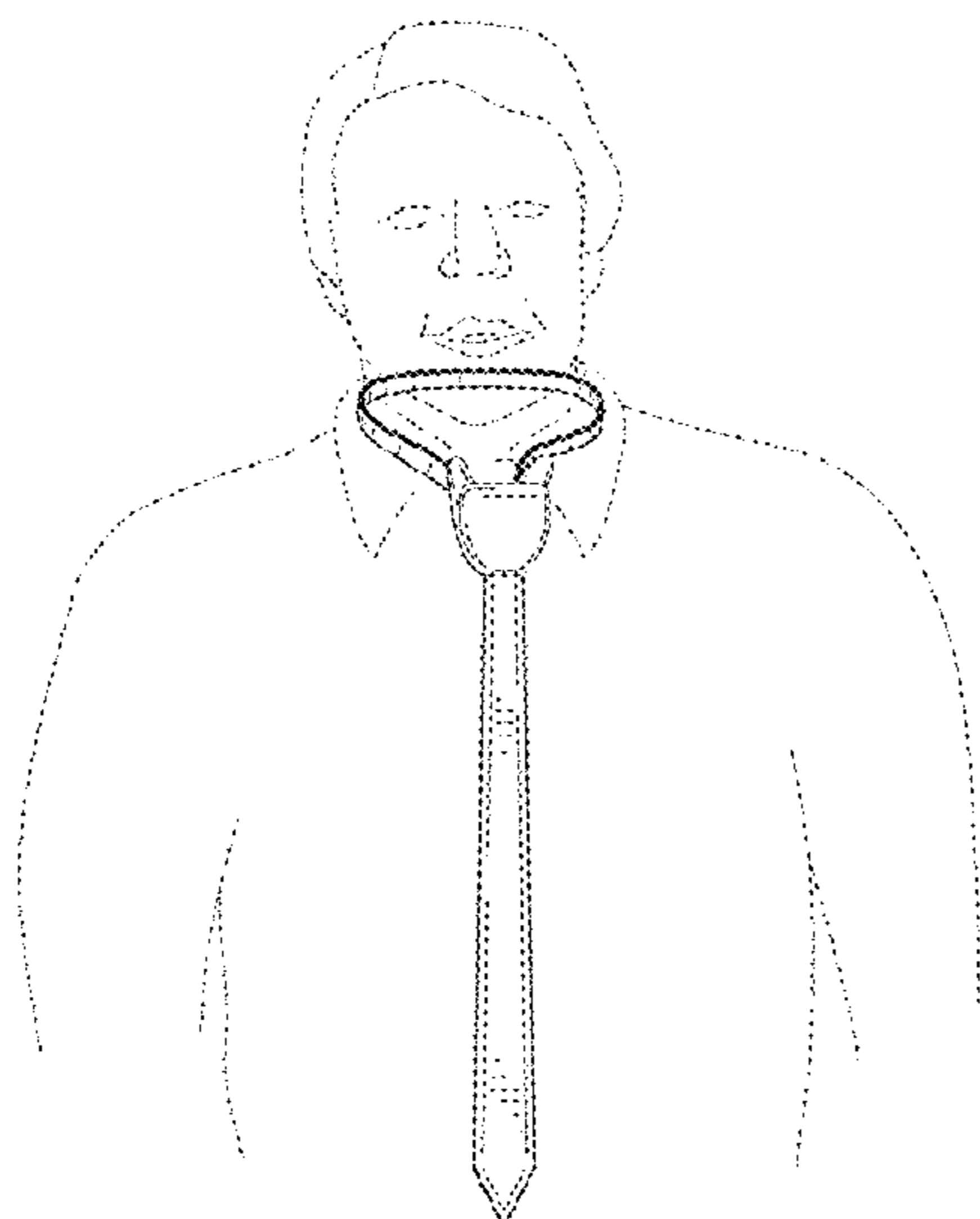
FIG. 14 is an exploded right-side elevation view thereof;

FIG. 15 is an enlarged exploded top plan view of the design of FIGS. 9-14, the components thereof being shown separately for ease of illustration; and,

FIG. 16 is an enlarged exploded bottom plan view thereof.

The broken lines showing a person in FIGS. 1 and 9, and a ring and snap in FIG. 9, depict environmental matter and form no part of the claimed design.

1 Claim, 7 Drawing Sheets



US D668,836 S

Page 2

U.S. PATENT DOCUMENTS

3,458,868	A *	8/1969	Smith	2/150	D405,937	S	2/1999	Wrobel	
3,735,420	A	5/1973	New		5,983,461	A *	11/1999	Chen	24/66.9
4,173,792	A *	11/1979	Intengan	2/144	6,363,533	B1	4/2002	DeLuca	
D295,115	S	4/1988	Abramoff et al.		6,401,251	B1 *	6/2002	Fredenberg	2/144
4,825,515	A *	5/1989	Wolterstorff, Jr.	24/625	6,457,219	B1 *	10/2002	Liu	24/625
4,995,118	A *	2/1991	Paduano, Sr.	2/150	6,487,761	B2 *	12/2002	Van Tassel	24/606
D324,296	S *	3/1992	Rond	D2/605	D509,944	S	9/2005	Mason	
5,222,279	A *	6/1993	Frano et al.	24/625	7,089,633	B2 *	8/2006	Liu	24/615
5,507,076	A *	4/1996	Anscher	24/625	8,132,302	B2 *	3/2012	Wilkinson	24/302
5,600,852	A	2/1997	Densch		2001/0042259	A1 *	11/2001	Paik	2/149
5,774,893	A *	7/1998	Torres	2/148	2008/0109932	A1 *	5/2008	Maleson	2/148
D398,737	S *	9/1998	Umann	D2/605	2009/0100652	A1 *	4/2009	Mok	24/625
5,836,018	A *	11/1998	Lee	2/144					

* cited by examiner

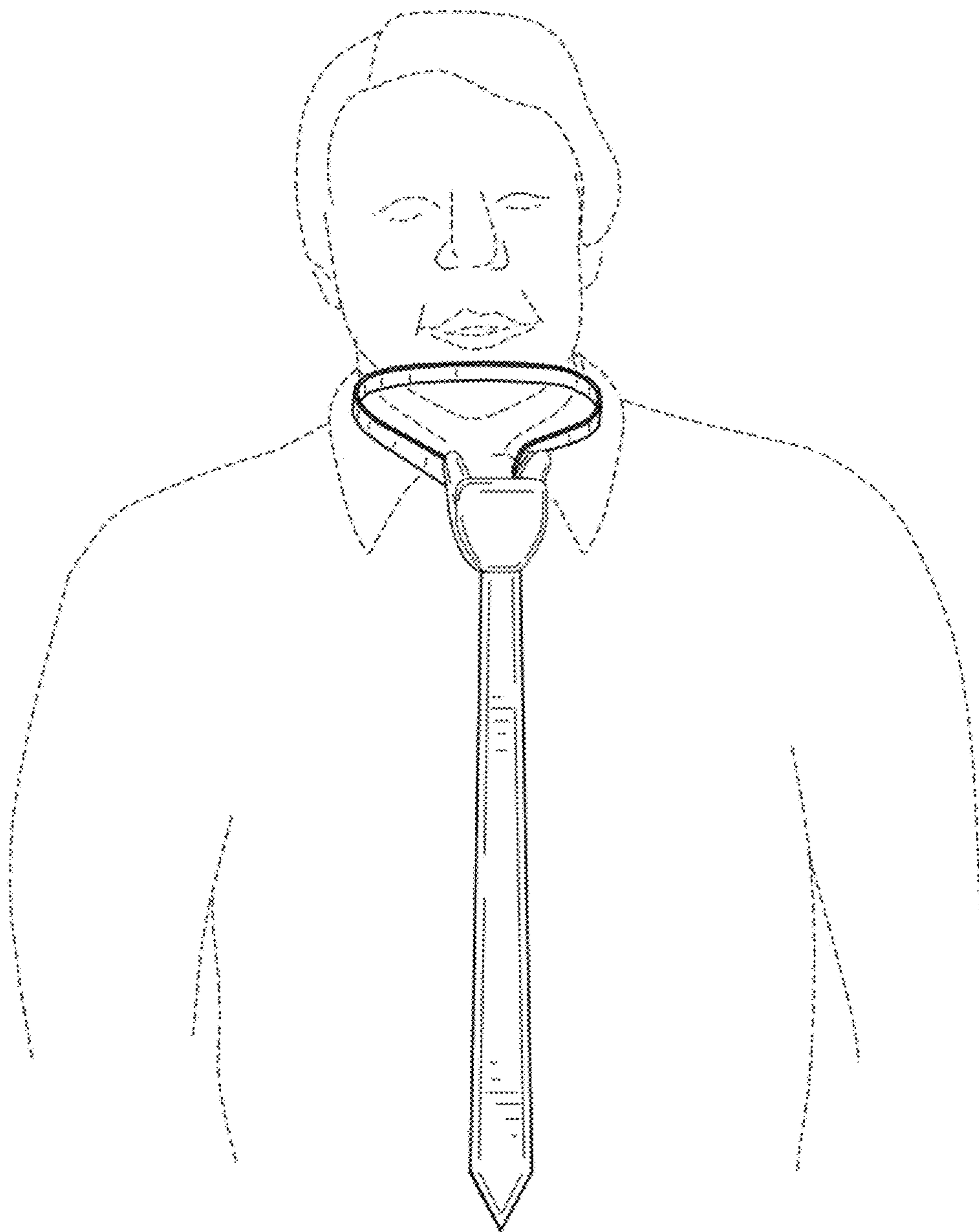


FIG. 1

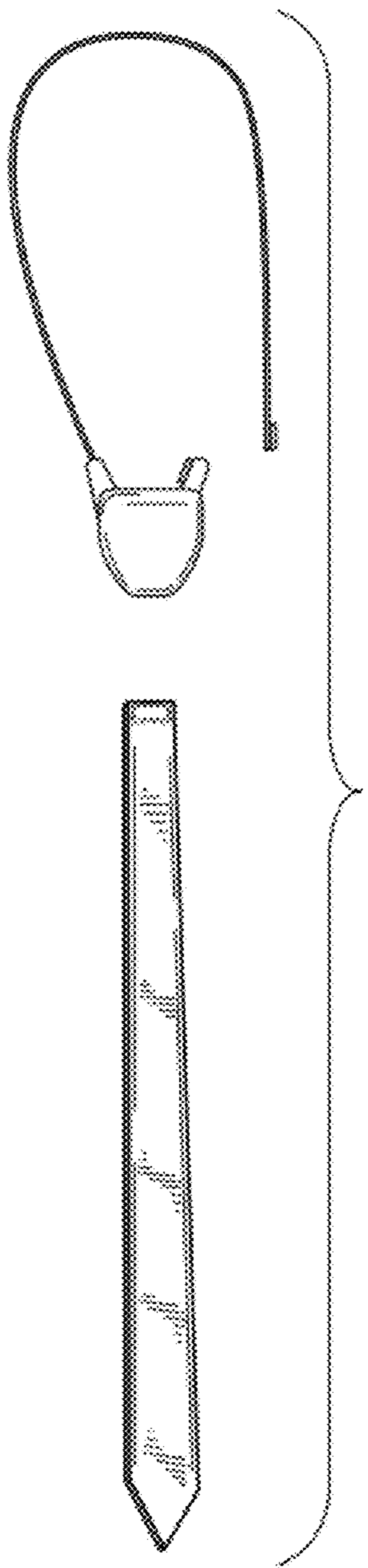


FIG. 2

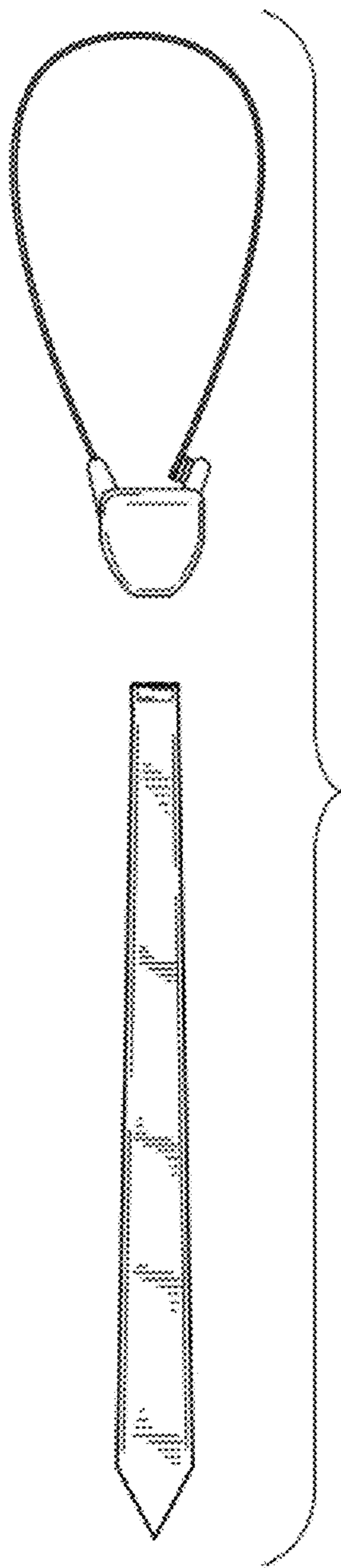


FIG. 3

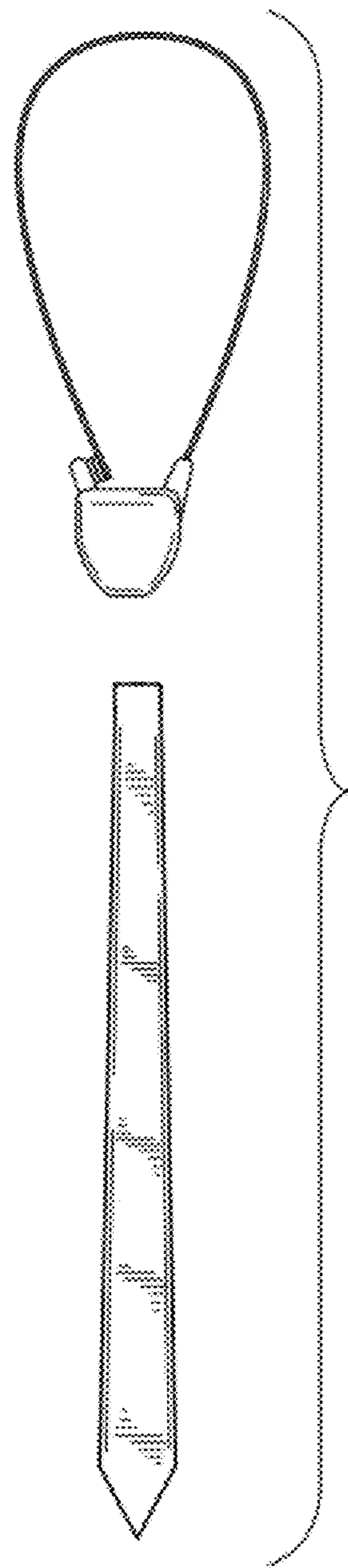


FIG. 4

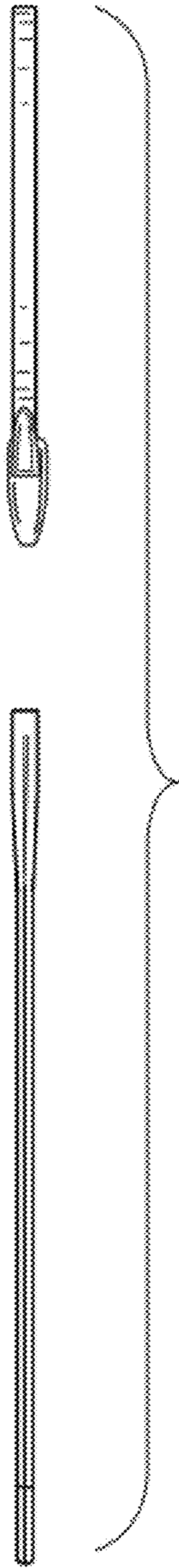


FIG. 5

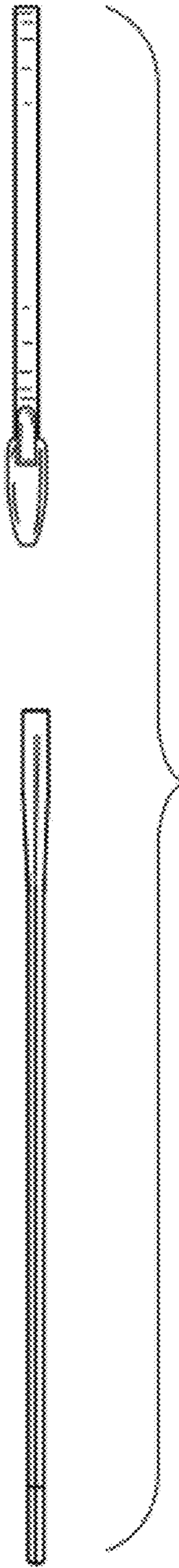


FIG. 6

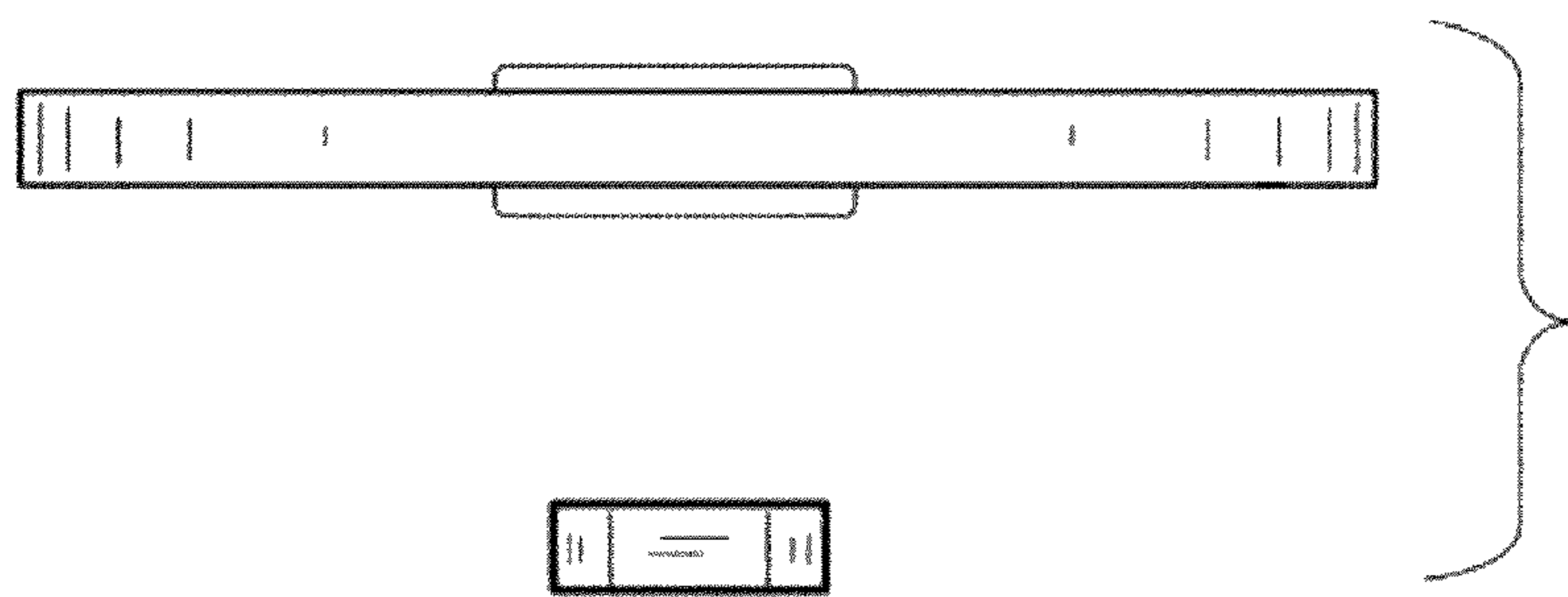


FIG. 7

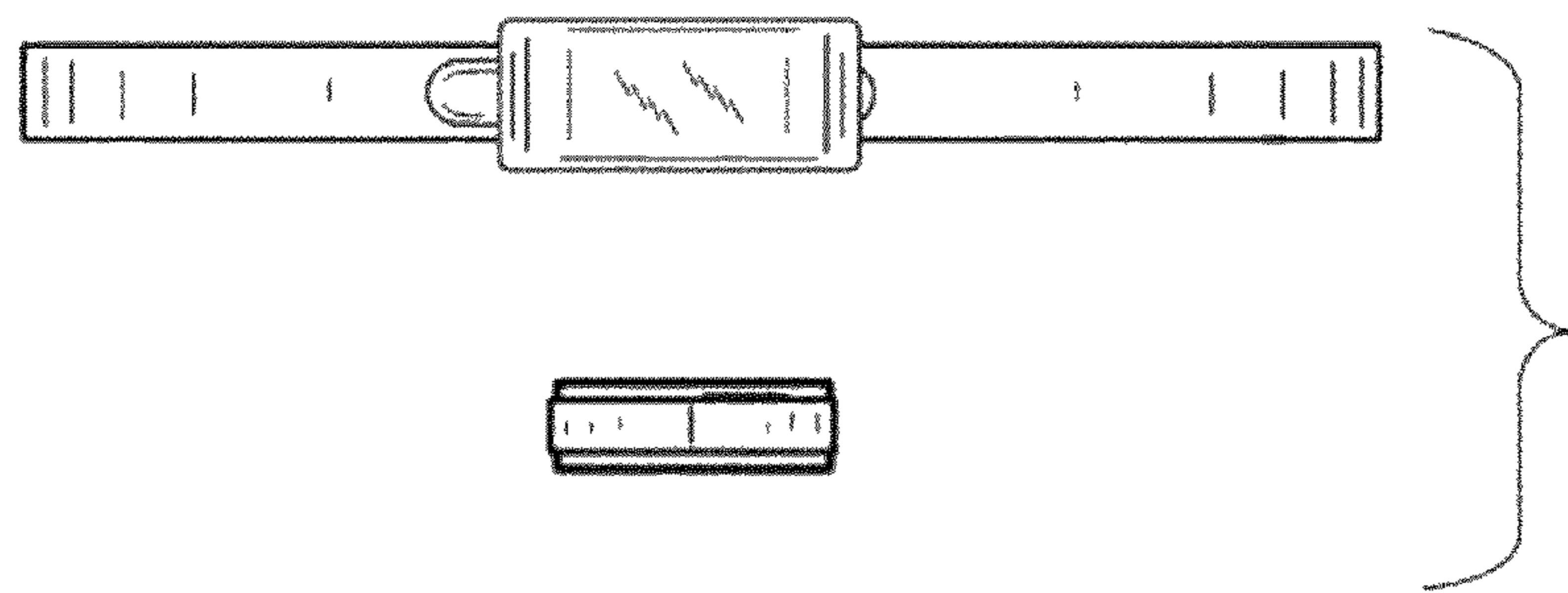


FIG. 8

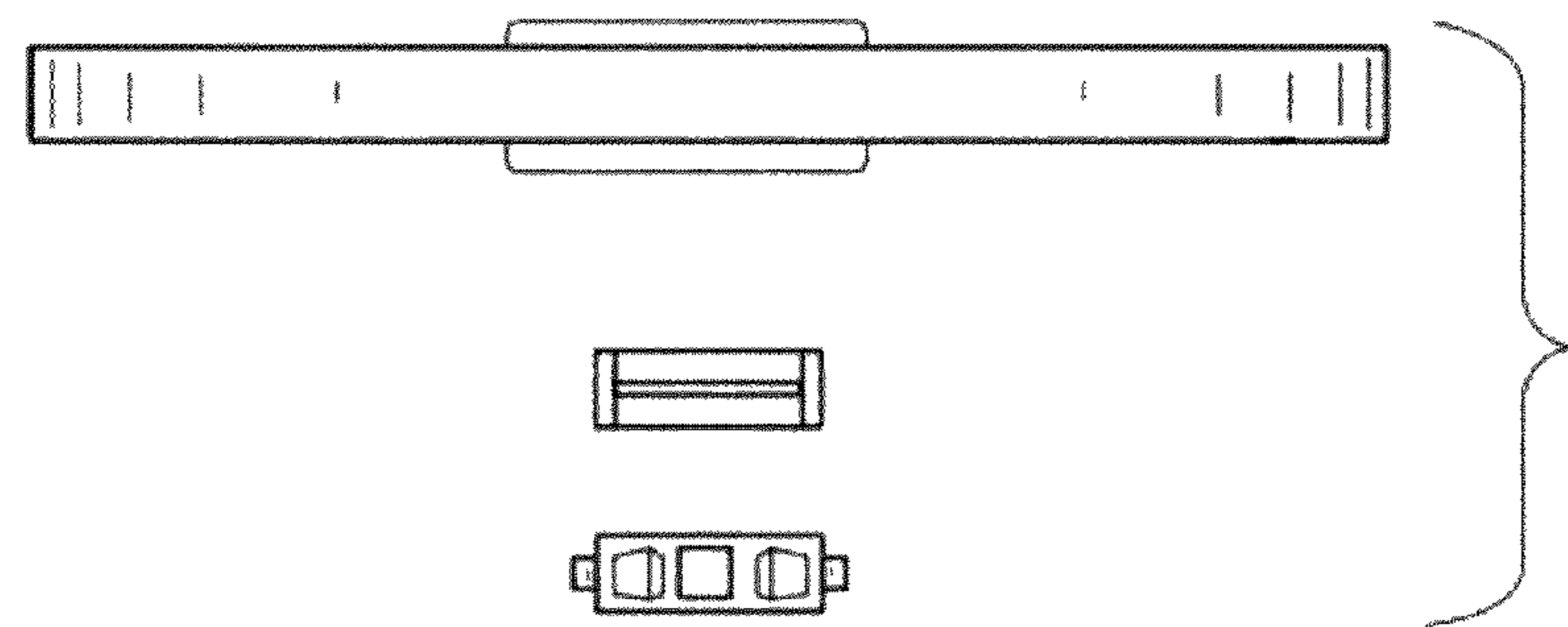


FIG. 15

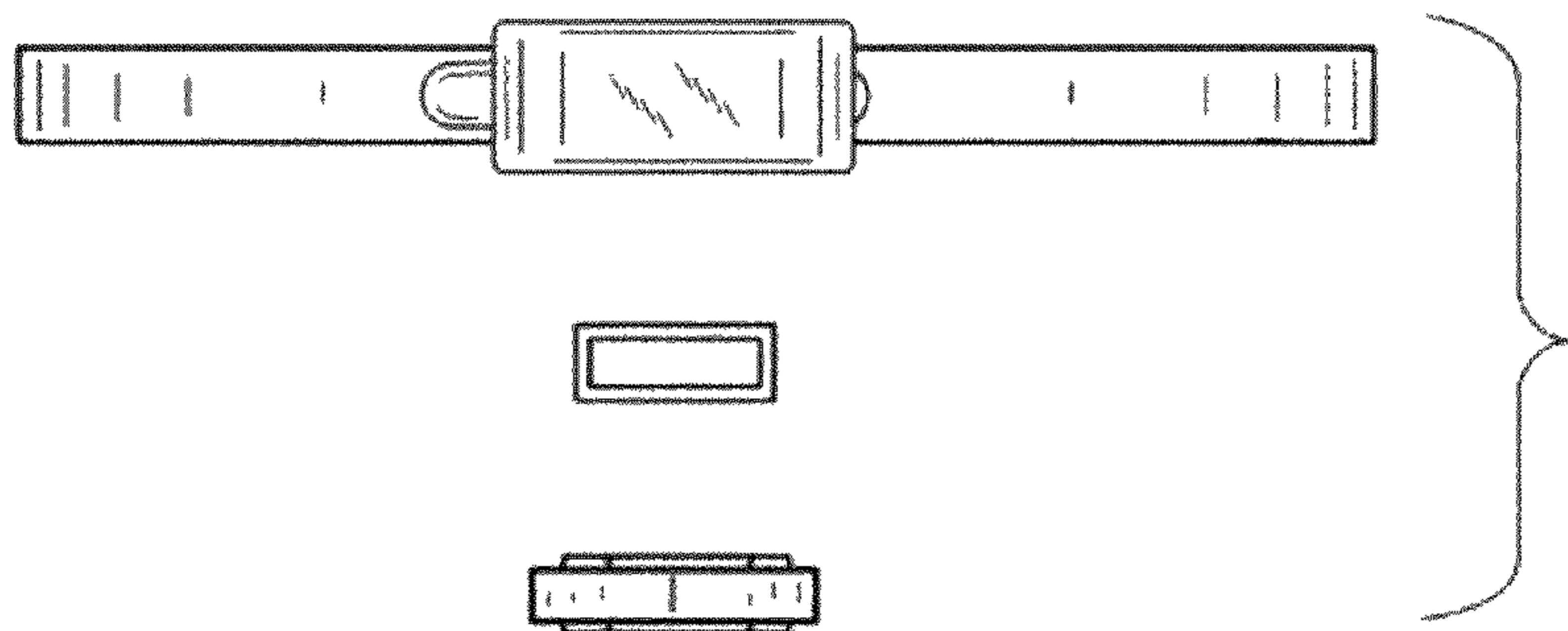


FIG. 16

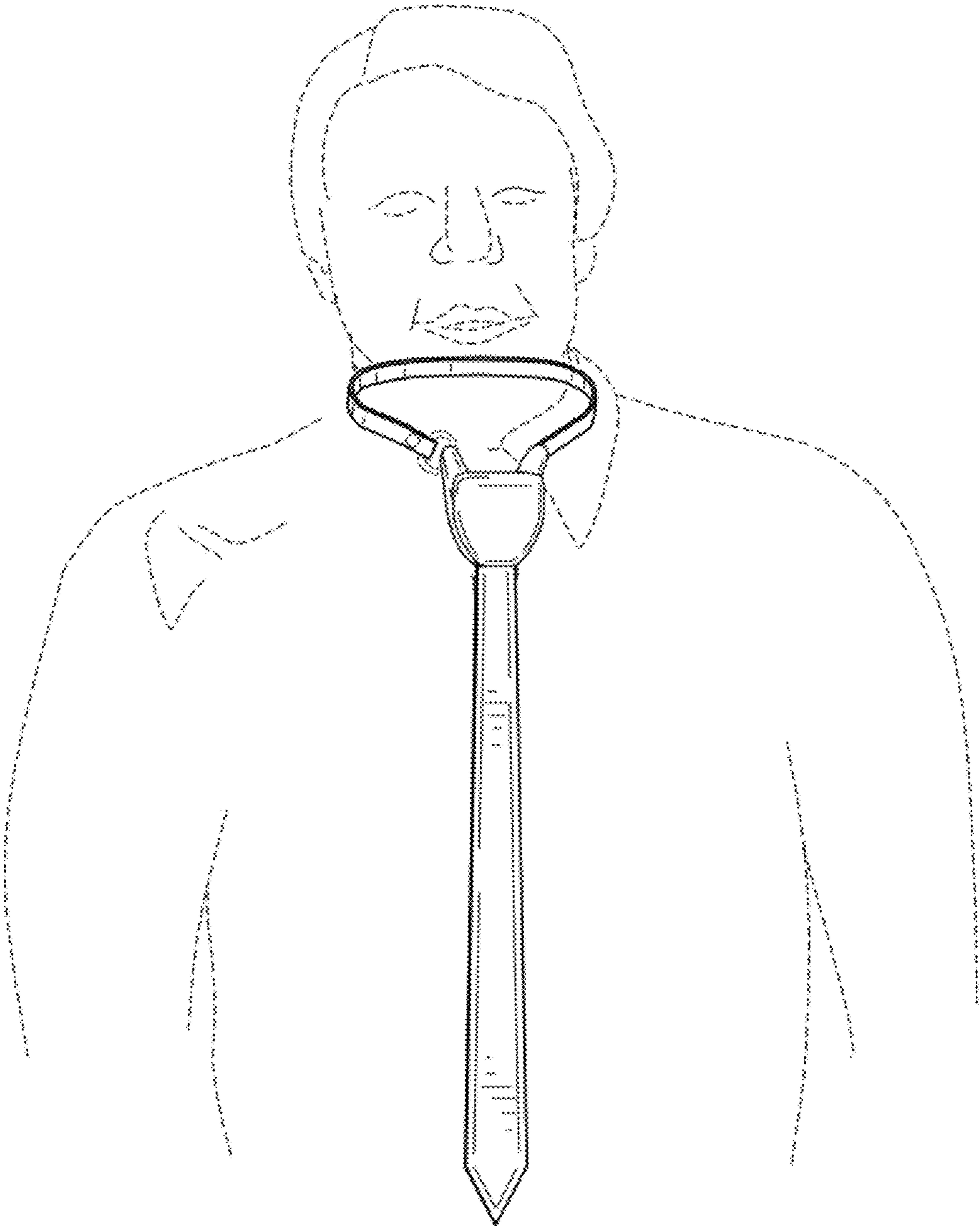


FIG. 9

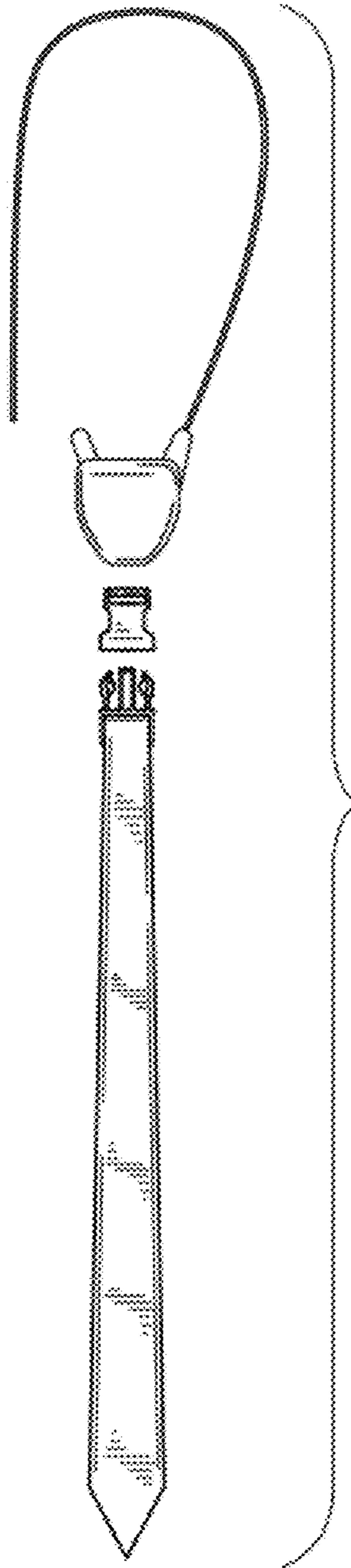


FIG. 10

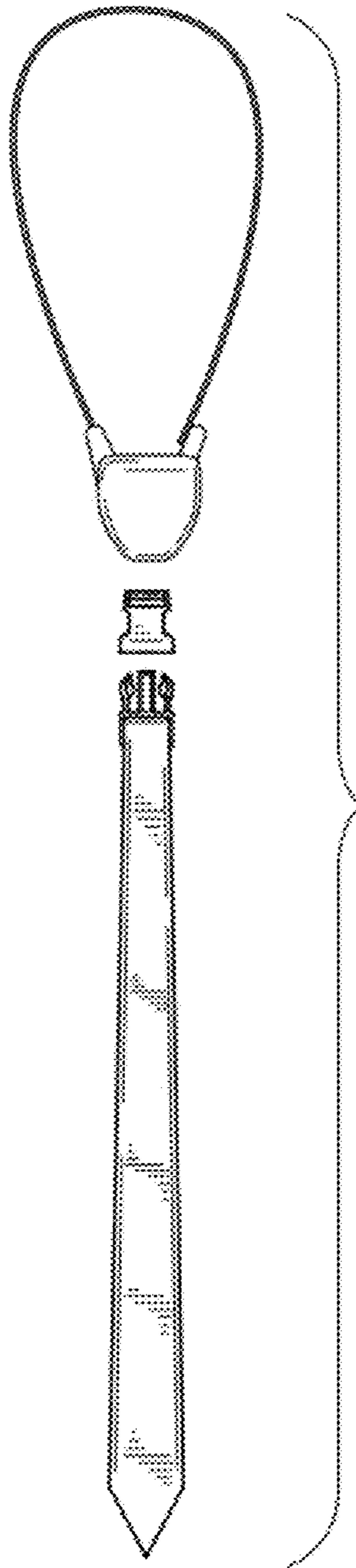


FIG. 11

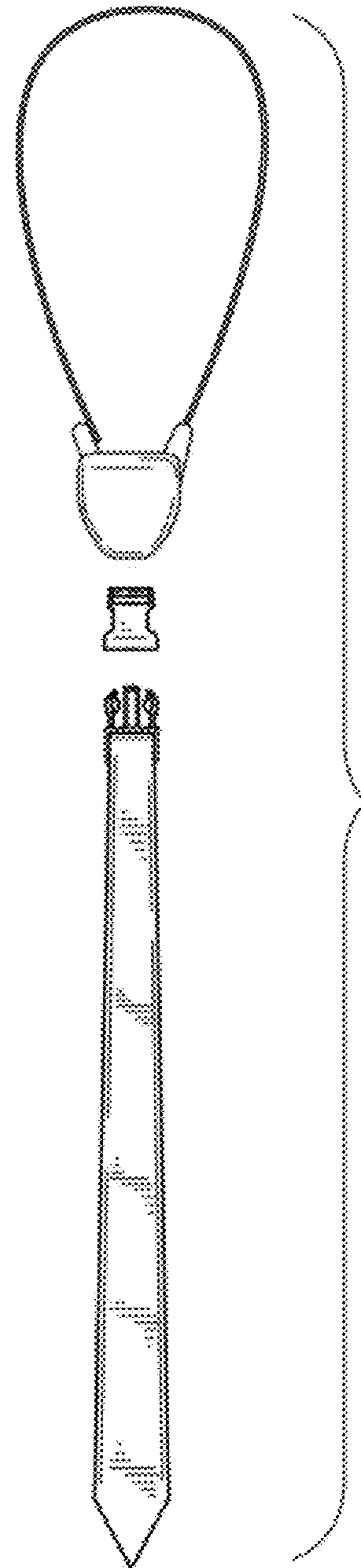


FIG. 12

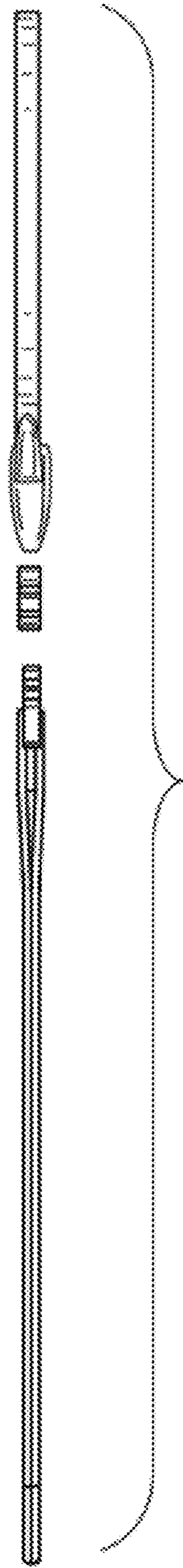


FIG. 13

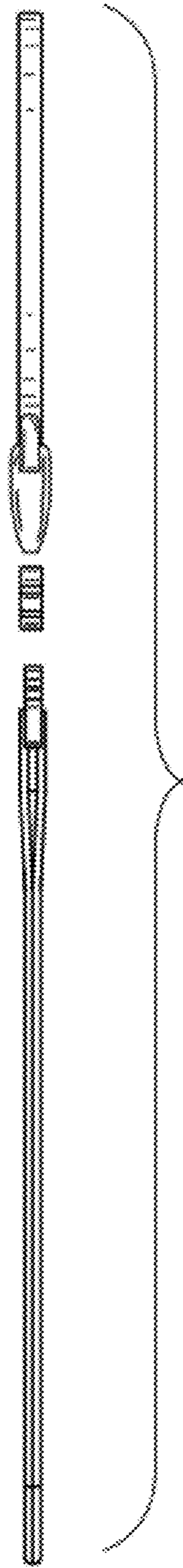


FIG. 14