

US00D668834S

(12) **United States Design Patent**  
**O’Flanagan**

(10) **Patent No.:** **US D668,834 S**

(45) **Date of Patent:** **\*\* Oct. 9, 2012**

(54) **PERSONAL STATIONS OF THE CROSS**

(75) **Inventor:** **Thomas Patrick O’Flanagan**, Sneads Ferry, NC (US)

(73) **Assignee:** **Thomas Michael O’Flanagan**, Pompano Beach, FL (US)

(\*\*) **Term:** **14 Years**

(21) **Appl. No.:** **29/398,554**

(22) **Filed:** **Aug. 2, 2011**

(51) **LOC (9) Cl.** ..... **03-01**

(52) **U.S. Cl.** ..... **D99/25**

(58) **Field of Classification Search** ..... D99/25,  
D99/26, 27; D11/79, 80, 81, 95, 96, 117,  
D11/121, 122, 123, 124, 127, 128, 130–134,  
D11/136, 142, 157, 158, 160; 428/3, 4, 7,  
428/8, 9, 12  
See application file for complete search history.

(56) **References Cited**

**U.S. PATENT DOCUMENTS**

550,237	A *	11/1895	Alexander	206/19
D44,912	S *	11/1913	Arnold	D11/122
D46,571	S *	10/1914	Mix	D99/27
D47,516	S *	6/1915	Hickey	D11/122
1,480,880	A *	1/1924	Brennan	428/3
D88,739	S *	12/1932	Quinn	D11/122
1,980,708	A *	11/1934	Sxel	362/121
2,000,060	A *	5/1935	Brennan	428/3
D102,270	S *	12/1936	Preske	D11/96
D107,665	S *	12/1937	Stedman	D11/96
D110,745	S *	8/1938	Alter	D11/122
D127,626	S *	6/1941	Valliere	D11/122
D132,031	S *	4/1942	Leddy	D11/96
D135,363	S *	3/1943	Ochs	D11/122
2,427,655	A *	9/1947	Blankenship	362/35
D167,748	S *	9/1952	Hennessy	D11/136
D170,205	S *	8/1953	Mancini et al.	D11/136
2,650,445	A *	9/1953	Randall	428/3
2,769,266	A *	11/1956	Feeley	434/245
D182,912	S *	5/1958	Mancini	D11/122

2,912,770	A *	11/1959	Goddard	434/246
2,958,762	A *	11/1960	Cheney	313/509
3,319,599	A *	5/1967	Kussman	116/309
3,392,821	A *	7/1968	Tracey	206/19
D233,851	S *	12/1974	Miramón	D10/123
D243,877	S *	3/1977	Dickson	D26/99
D248,411	S *	7/1978	Somple	D99/25
4,525,821	A *	6/1985	Garcia	369/30.02
D319,415	S *	8/1991	Johnston	D11/101
D319,604	S *	9/1991	Peterson	D11/79
D325,003	S *	3/1992	Peterson	D11/79
D329,402	S *	9/1992	Zears	D11/96
5,456,625	A *	10/1995	Dumond	446/268
D443,556	S *	6/2001	Sinha et al.	D11/96
D481,970	S *	11/2003	Moore	D11/96
D601,447	S *	10/2009	Rudy et al.	D11/81

\* cited by examiner

*Primary Examiner* — Elizabeth J Oswecki

(74) *Attorney, Agent, or Firm* — JanPaul Guzman, Esq.

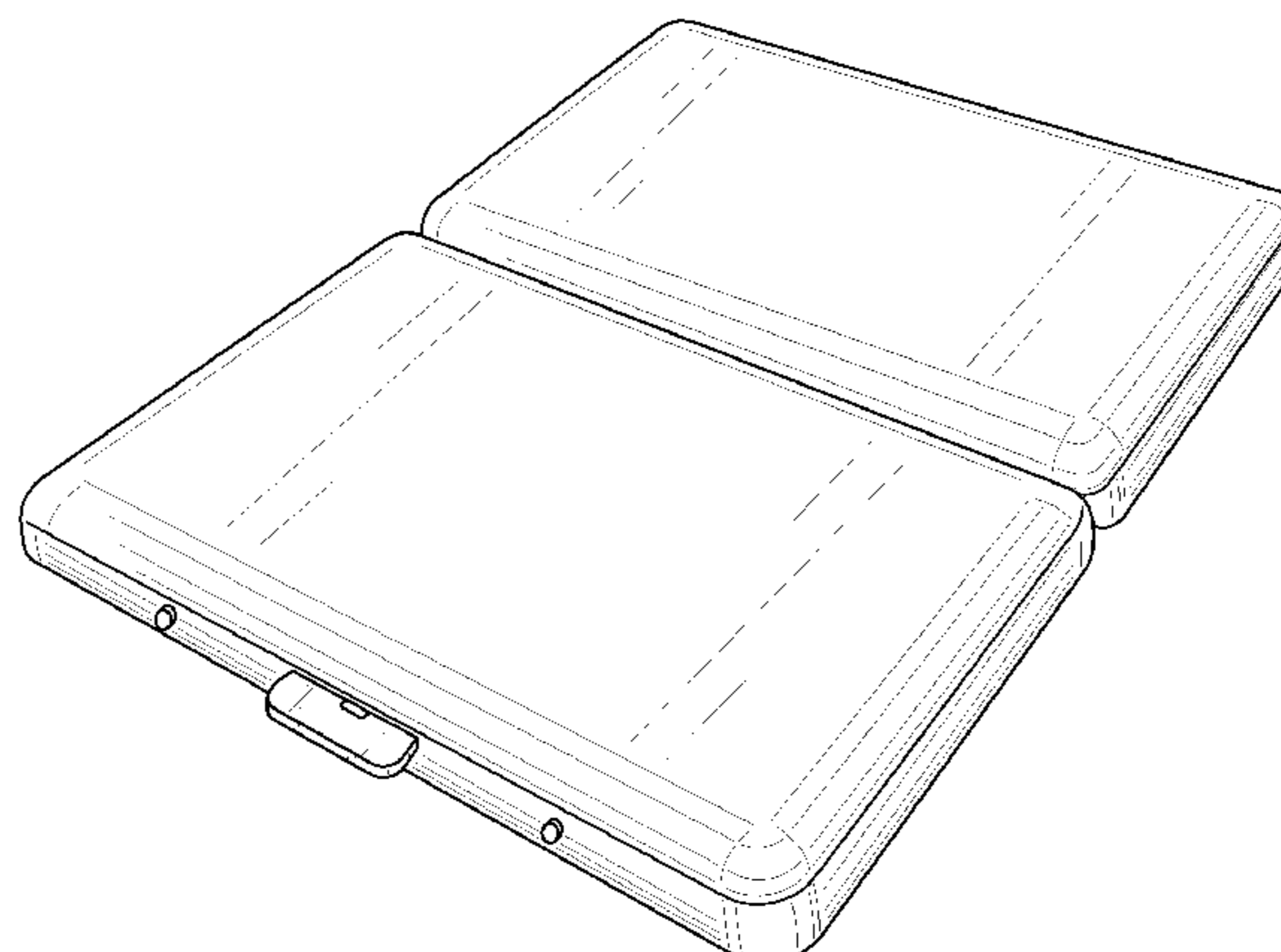
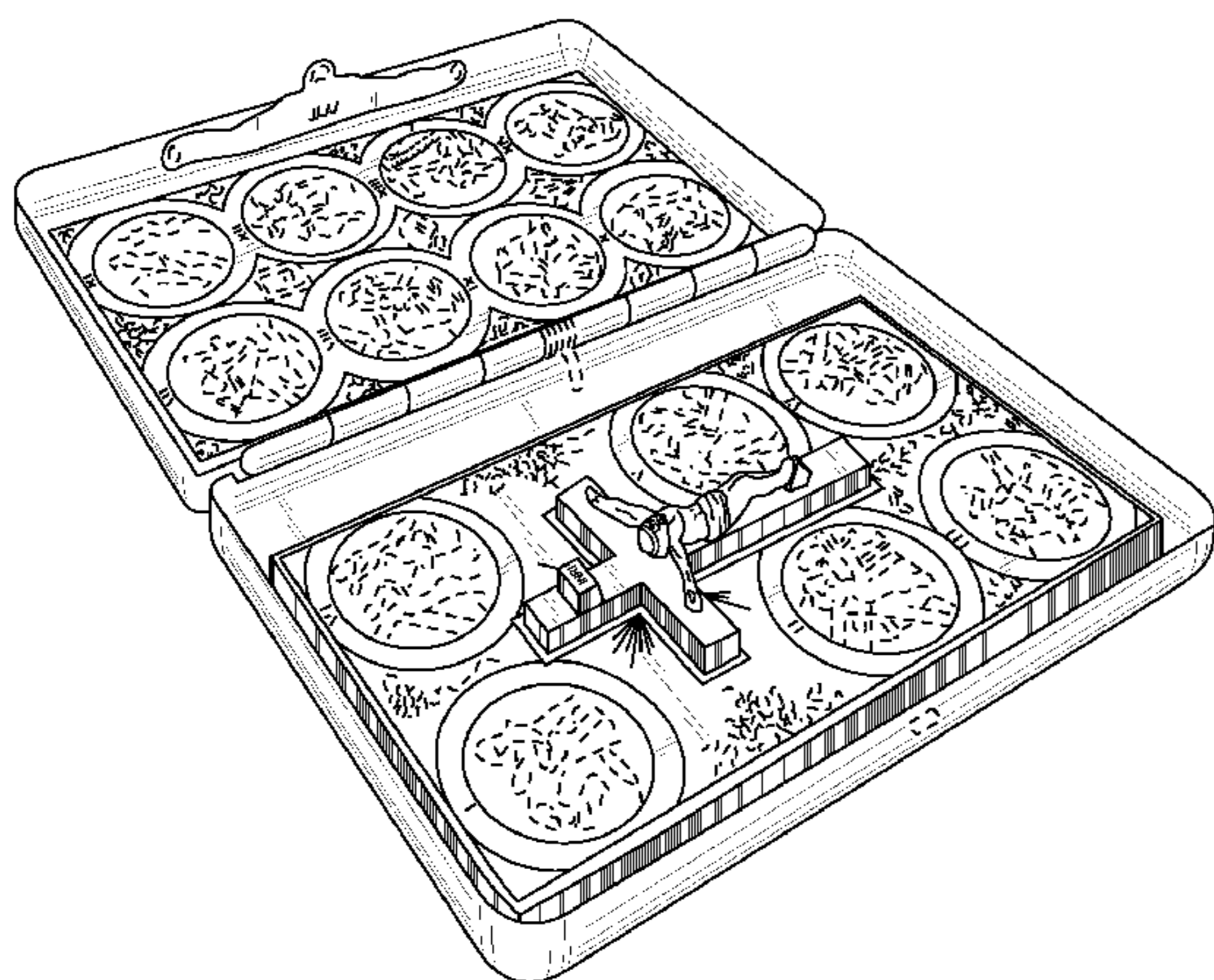
(57) **CLAIM**

The ornamental design for a personal Stations of the Cross, as shown and described.

**DESCRIPTION**

FIG. 1 is a front elevational view of a personal Stations of the Cross showing my new design;  
 FIG. 2 is a rear elevational view thereof;  
 FIG. 3 is a left side elevational view thereof;  
 FIG. 4 is a right side elevational view thereof;  
 FIG. 5 is a top plan view thereof, the bottom plan view being a mirror image thereof;  
 FIG. 6 is a front elevational view of a personal Stations of the Cross shown in FIG. 1 in a closed position;  
 FIG. 7 is a front perspective view of a personal Stations of the Cross shown in FIG. 1 in an open position; and,  
 FIG. 8 is a rear perspective view thereof.  
 The broken lines shown in the drawings represent portions of the personal Stations of the Cross that form no part of the claimed design.

**1 Claim, 6 Drawing Sheets**



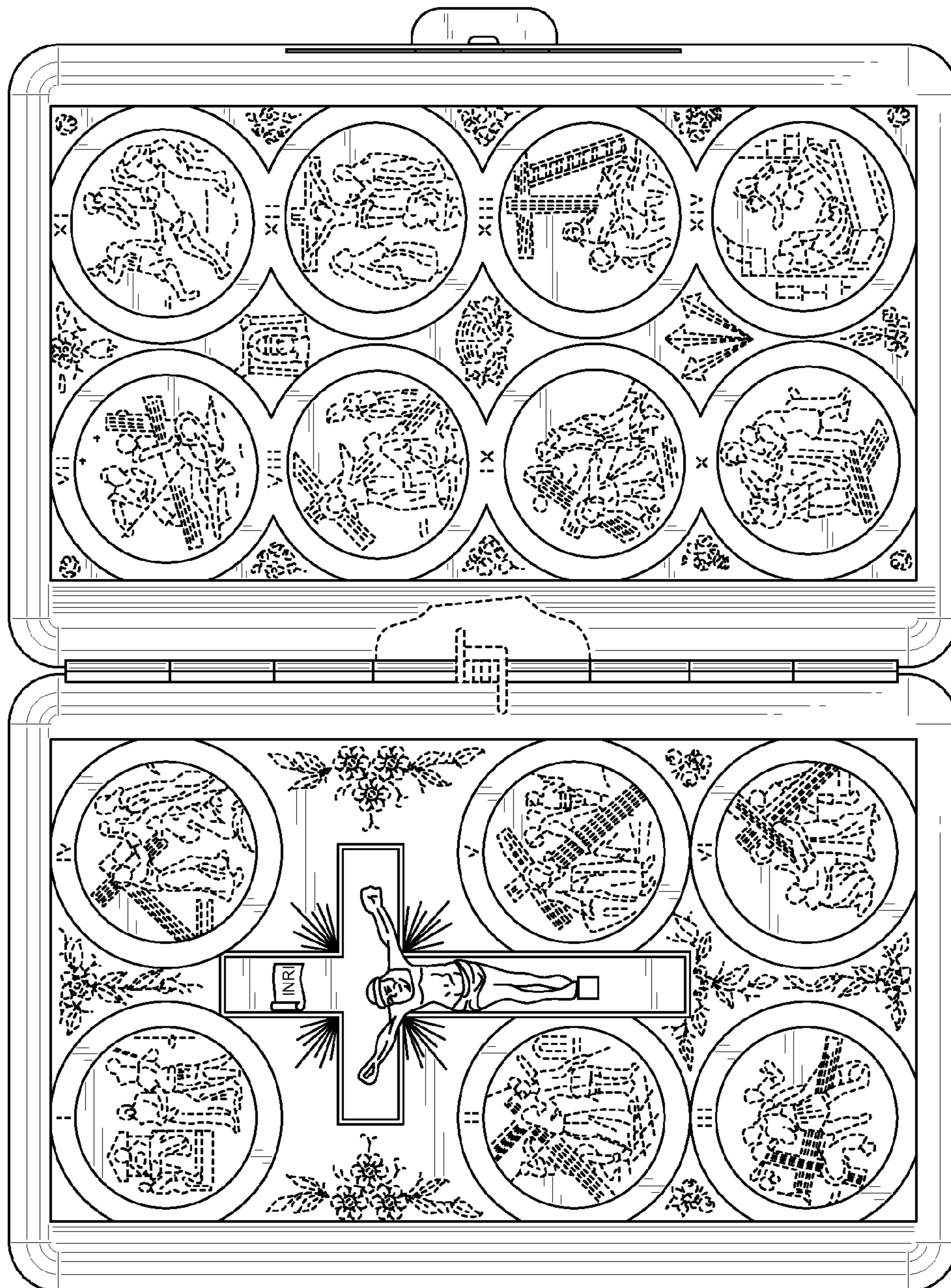


FIG. 1



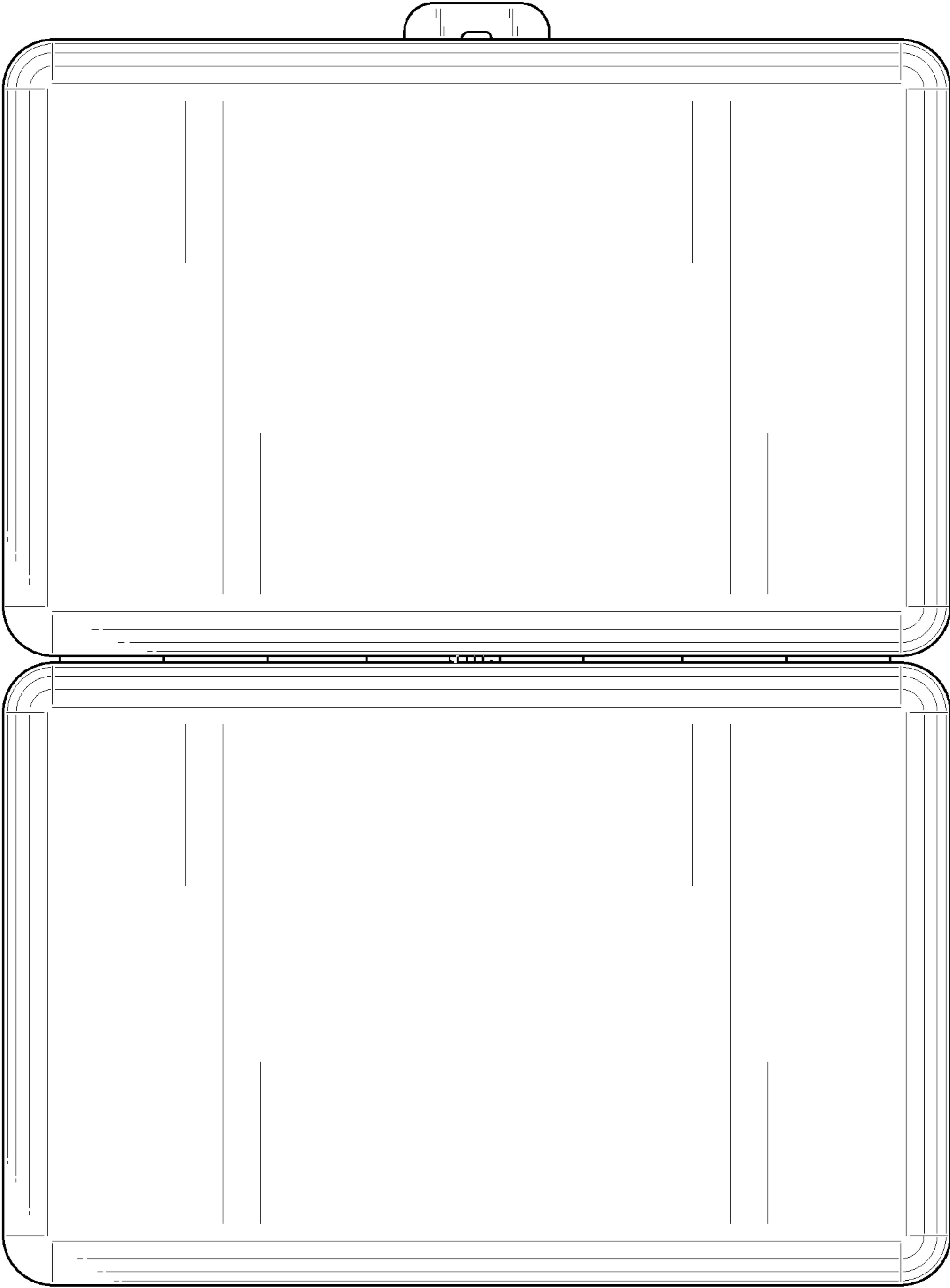


FIG. 2

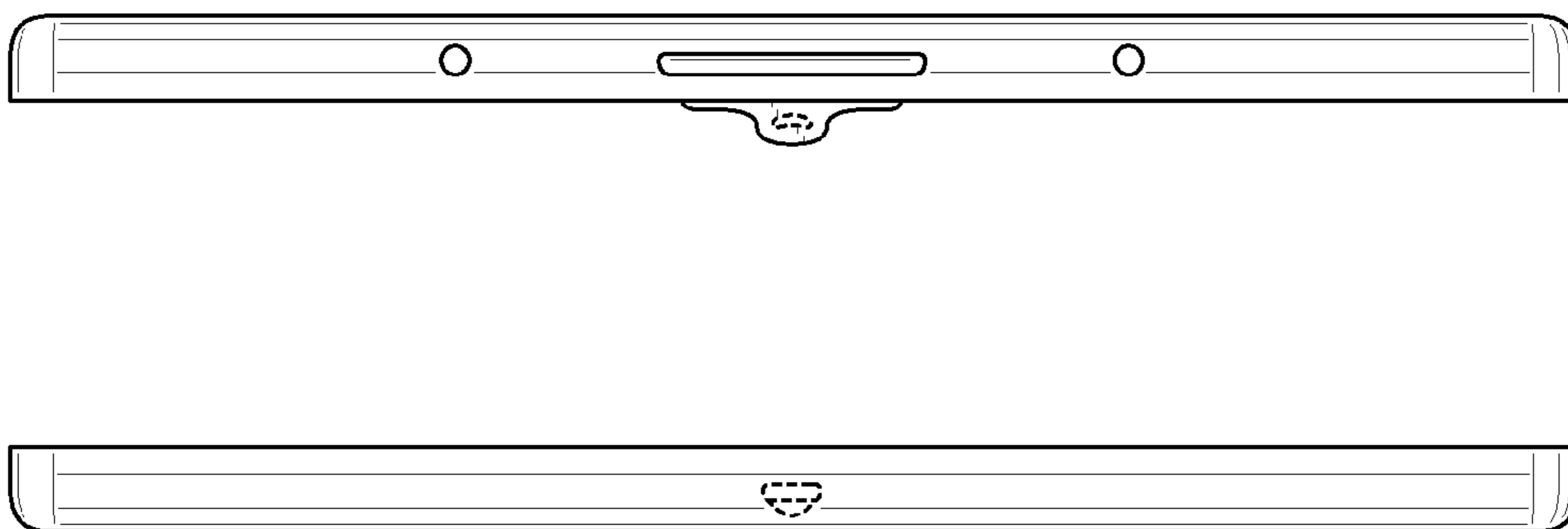


FIG. 3  
FIG. 4

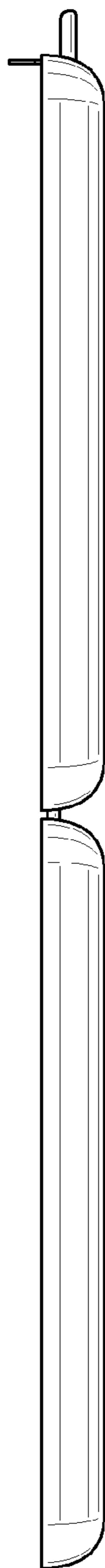


FIG. 5

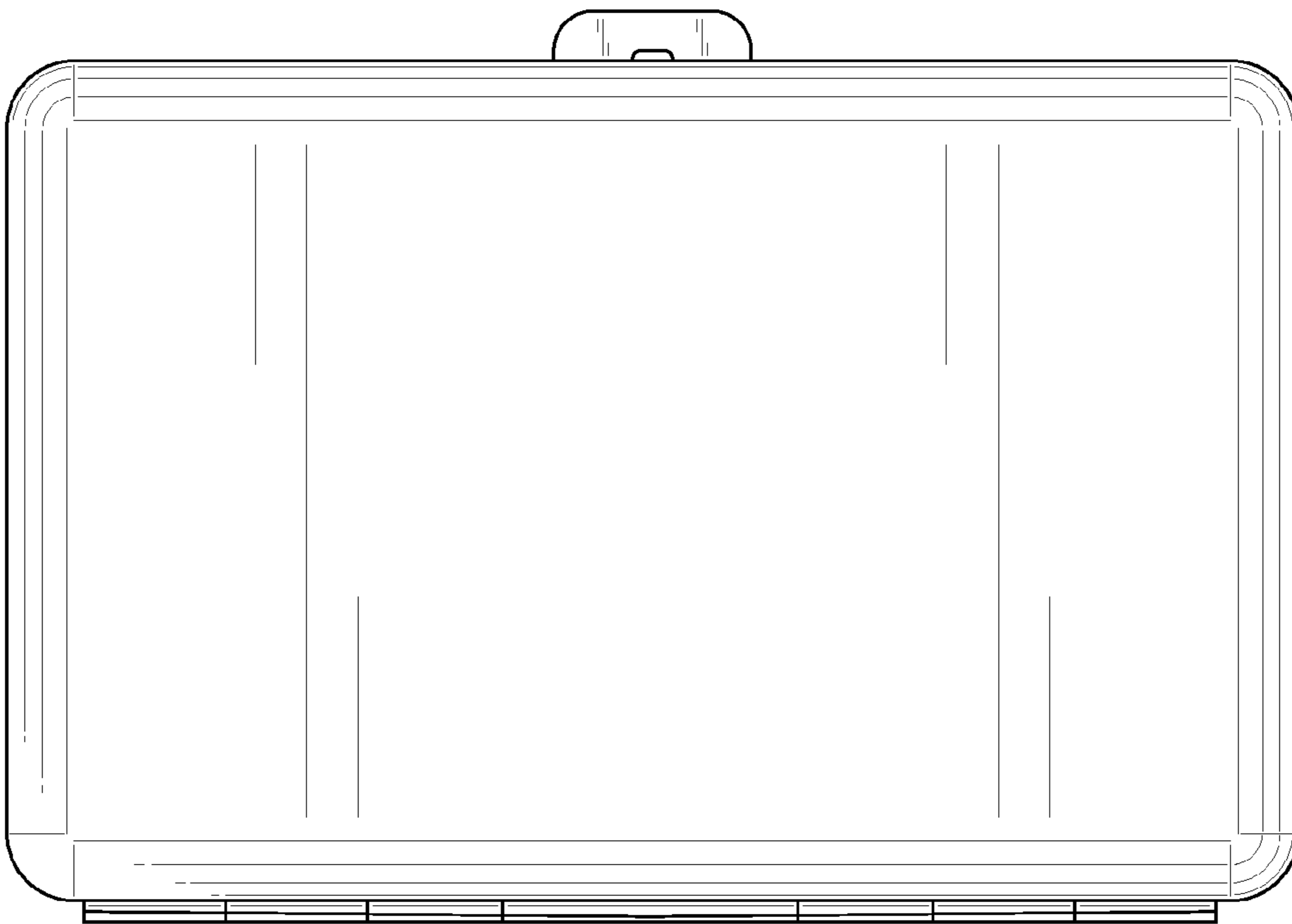


FIG. 6

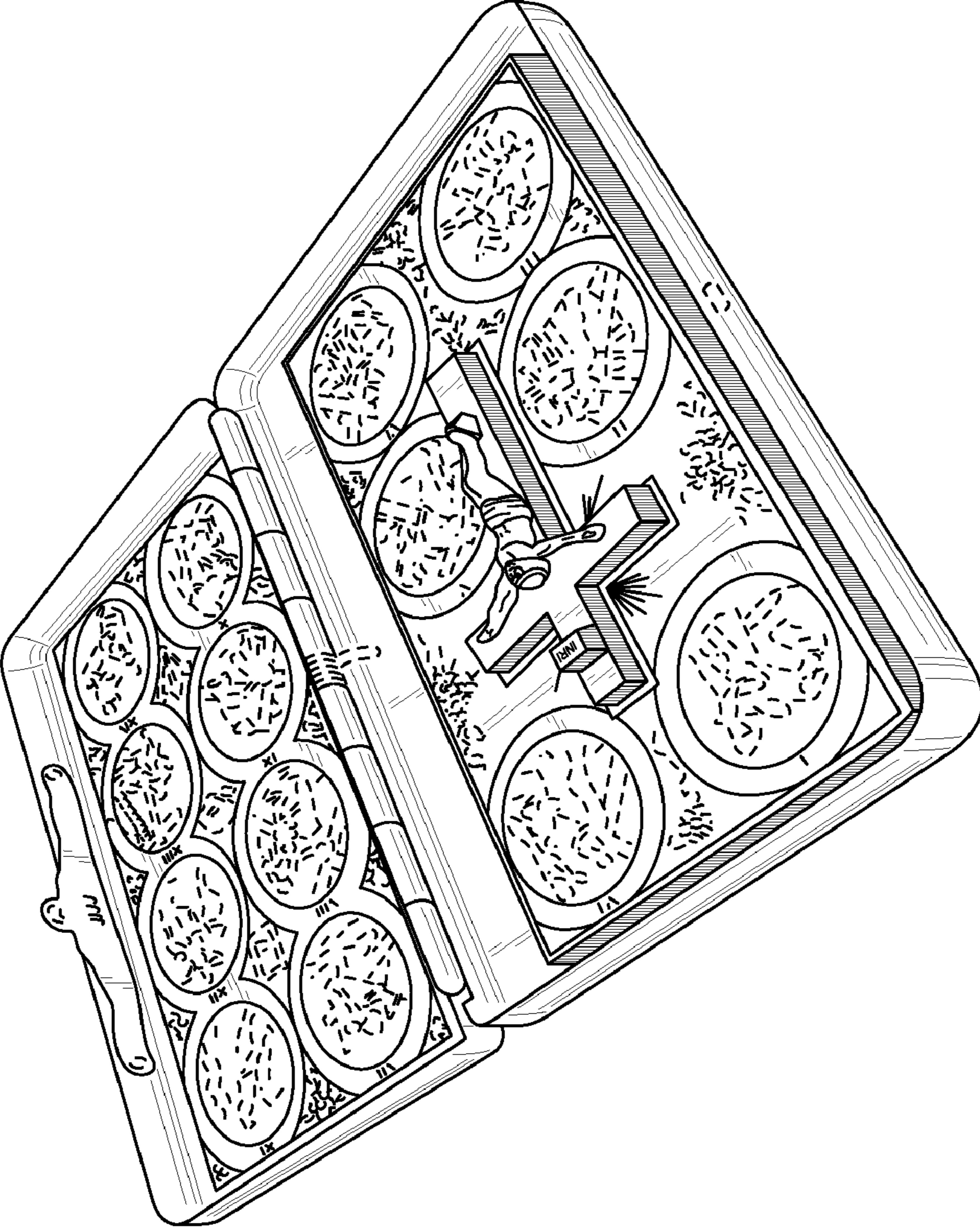


FIG. 7

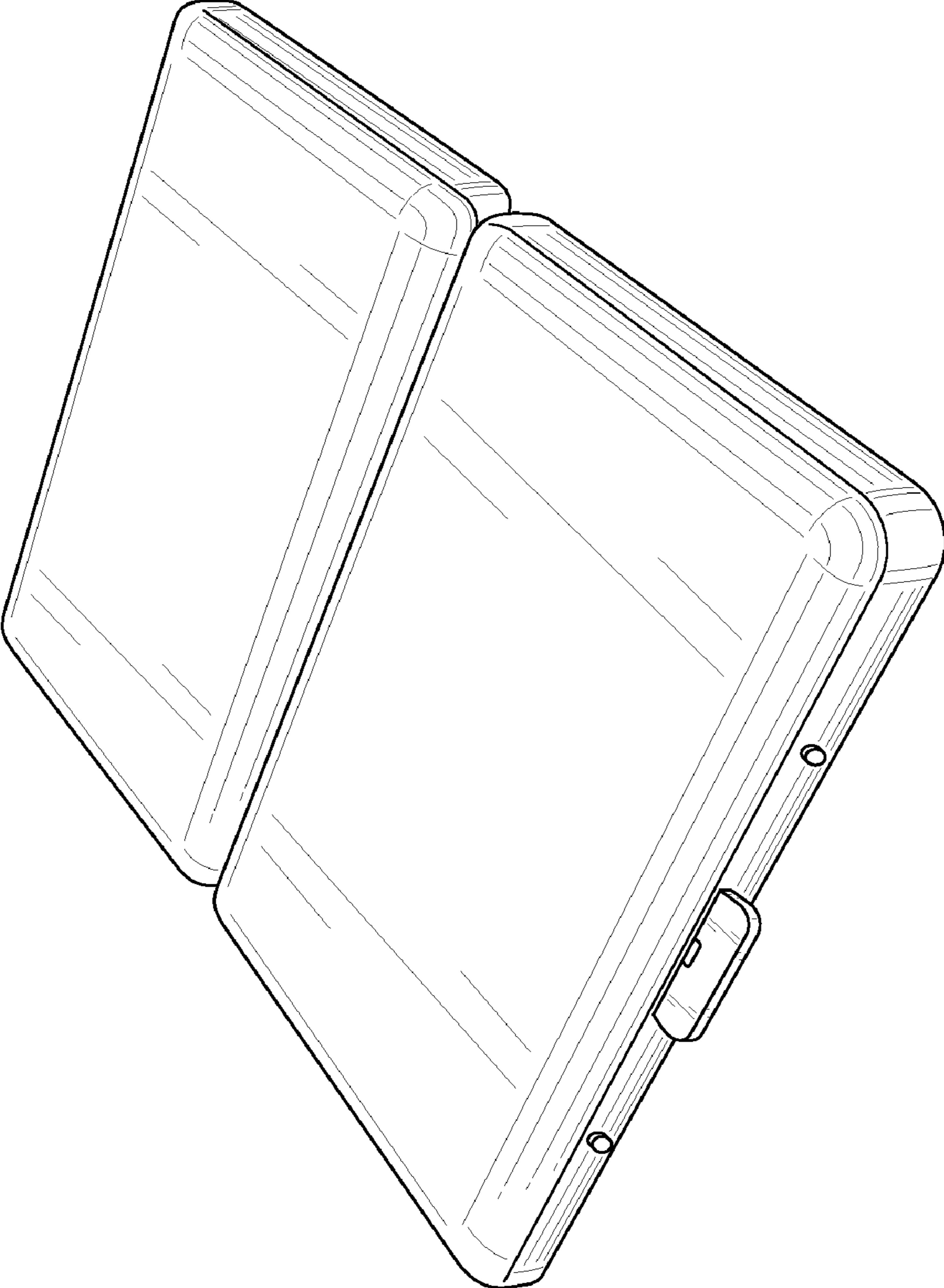


FIG. 8