



US00D668833S

(12) **United States Design Patent**  
**De Togni**

(10) **Patent No.:** **US D668,833 S**  
(45) **Date of Patent:** **\*\* Oct. 9, 2012**

(54) **CONTAINER FOR SAVING BIOGRAPHICAL AND/OR BIOLOGICAL OBJECTS AND/OR INFORMATION**

(76) Inventor: **Giorgio De Togni, Vigasio (IT)**

(\*\*) Term: **14 Years**

(21) Appl. No.: **29/394,213**

(22) Filed: **Jun. 14, 2011**

(30) **Foreign Application Priority Data**

Dec. 21, 2010 (EM) ..... 001796541-0001  
Dec. 21, 2010 (EM) ..... 001796541-0002

(51) **LOC (9) Cl.** ..... **99-00**

(52) **U.S. Cl.** ..... **D99/5; D99/28**

(58) **Field of Classification Search** ..... D99/5,  
D99/7, 28; 27/1; D3/200, 201, 259, 272,  
D3/273, 276, 295, 296, 284, 288, 905, 294,  
D3/291; D6/429, 430; 312/249.11, 257.1,  
312/351, 351.1, 902, 244; 190/110, 7, 6,  
190/10, 11; 206/162, 387, 579; D24/232,  
D24/234, 227, 231

See application file for complete search history.

(56) **References Cited**

**U.S. PATENT DOCUMENTS**

680,206 A \* 8/1901 La Mar ..... 312/262  
1,175,478 A \* 3/1916 Shaw ..... 190/7  
1,368,052 A \* 2/1921 Powell et al. .... 312/317.1  
1,694,470 A \* 12/1928 Hursh ..... 190/6  
1,702,052 A \* 2/1929 McCutcheon ..... 190/13 R  
1,944,394 A \* 1/1934 Bales et al. .... 312/263  
2,385,910 A \* 10/1945 Bracken ..... 190/13 R  
2,651,559 A \* 9/1953 O'Connor ..... 312/329  
2,773,729 A \* 12/1956 Derman ..... 312/257.1  
D228,820 S \* 10/1973 Day ..... D3/284  
3,779,623 A \* 12/1973 Motohashi ..... 312/257.1

4,752,008 A \* 6/1988 Pratt ..... 206/579  
4,836,626 A \* 6/1989 Taylor et al. .... 312/257.1  
4,861,305 A \* 8/1989 Wilson ..... 446/75  
D308,137 S \* 5/1990 Grecchi ..... D3/292  
D329,251 S \* 9/1992 Olswold et al. .... D18/59  
5,230,127 A \* 7/1993 Zukowski et al. .... 27/1  
D361,203 S \* 8/1995 Regnier ..... D3/273  
6,042,207 A \* 3/2000 Crosby et al. .... 312/351  
D444,932 S \* 7/2001 Greiwe et al. .... D99/5  
D456,976 S \* 5/2002 Rivera et al. .... D99/5  
D490,206 S \* 5/2004 Perella et al. .... D99/28  
D498,361 S \* 11/2004 Badaan ..... D3/279  
D521,730 S \* 5/2006 Lang ..... D3/273  
D549,425 S \* 8/2007 Burns ..... D99/35  
7,334,669 B2 \* 2/2008 Barker et al. .... 190/104  
D625,517 S \* 10/2010 Rossi et al. .... D3/272  
7,837,282 B2 \* 11/2010 Youngs et al. .... 312/351  
D638,195 S \* 5/2011 Goldstein ..... D99/5

\* cited by examiner

*Primary Examiner* — Paula Greene

(74) *Attorney, Agent, or Firm* — Hedman & Costigan, P.C.;  
Kathleen A. Costigan

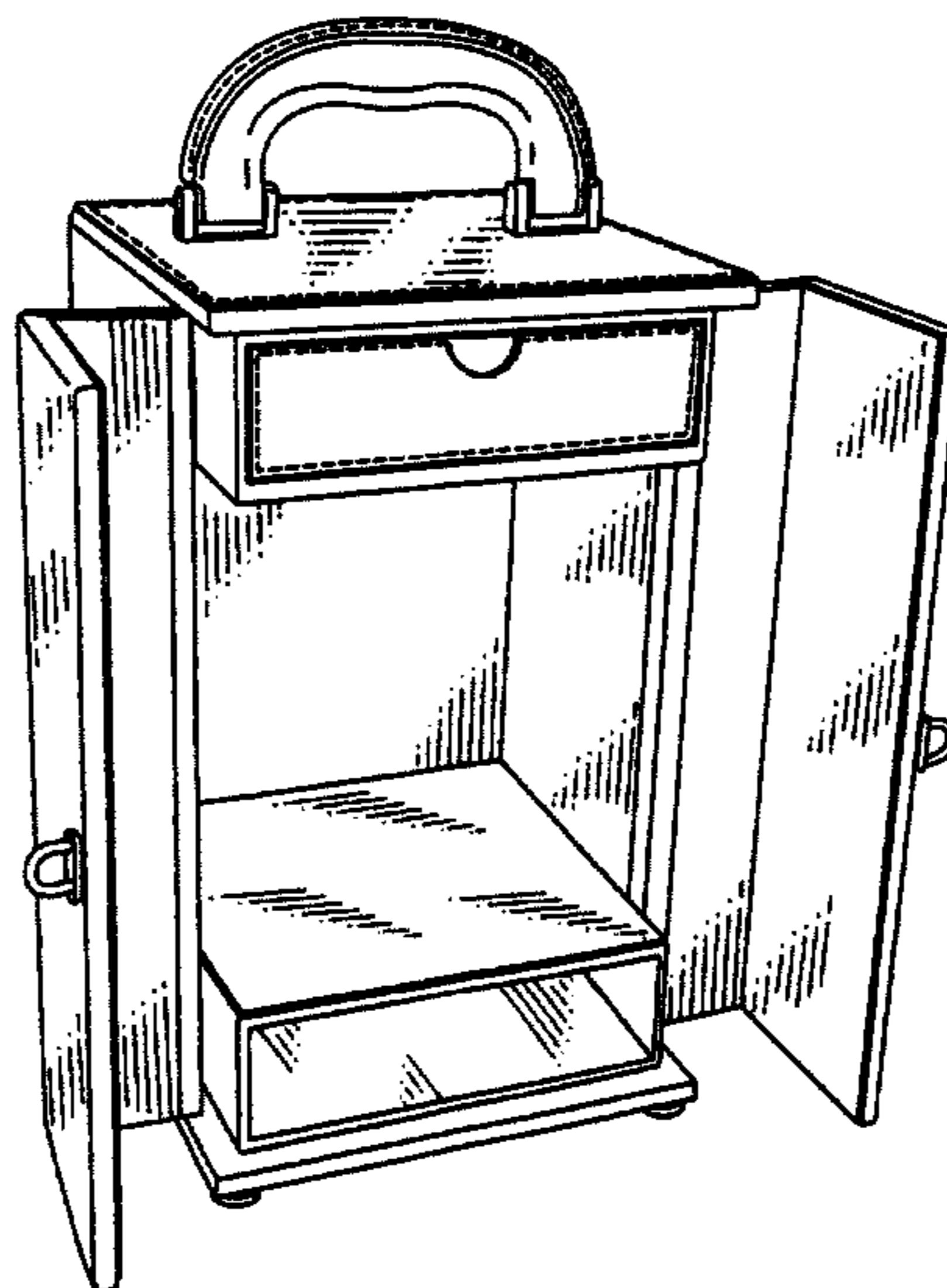
(57) **CLAIM**

I claim the ornamental design for a container for saving biographical and/or biological objects and/or information, as shown and described.

**DESCRIPTION**

FIG. 1 is a front perspective view of a container for saving biographical and/or biological objects and/or information according to the present invention;  
FIG. 2 is a top plan view thereof;  
FIG. 3 is a bottom plan view thereof;  
FIG. 4 is a left side view thereof;  
FIG. 5 is a right side view thereof;  
FIG. 6 is a front view thereof; and,  
FIG. 7 is a back view thereof.

**1 Claim, 3 Drawing Sheets**



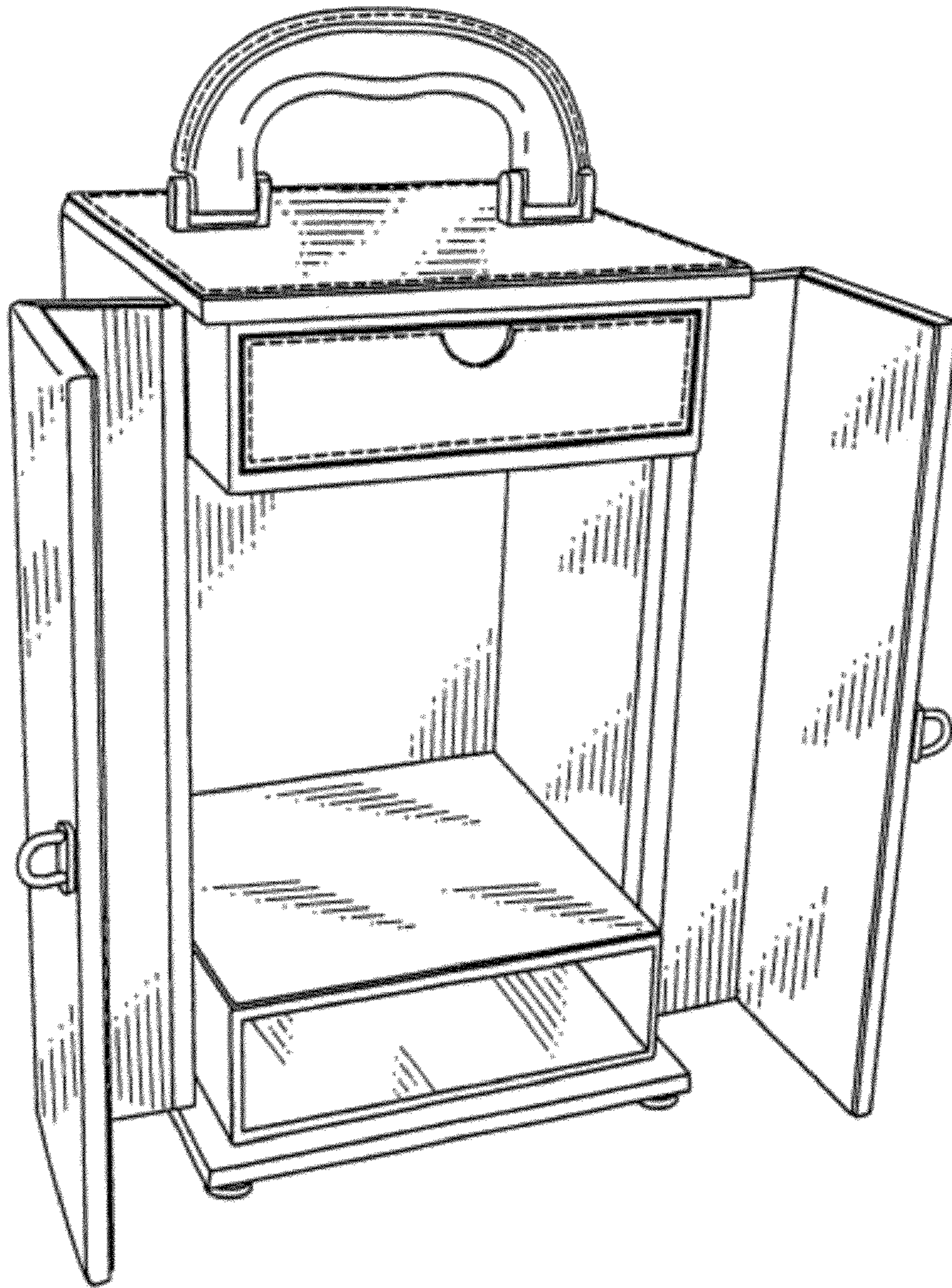


Fig. 1

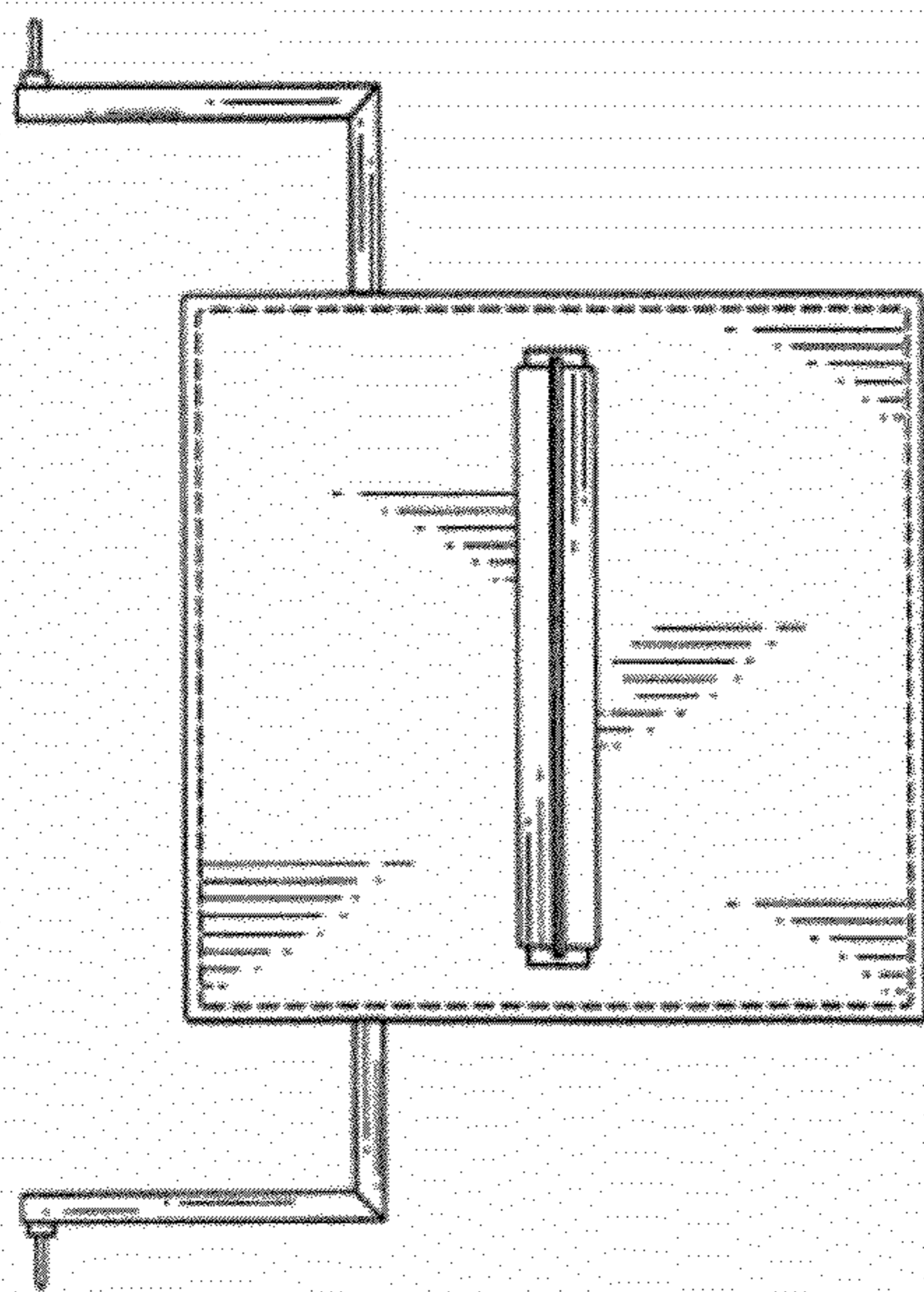


Fig. 2

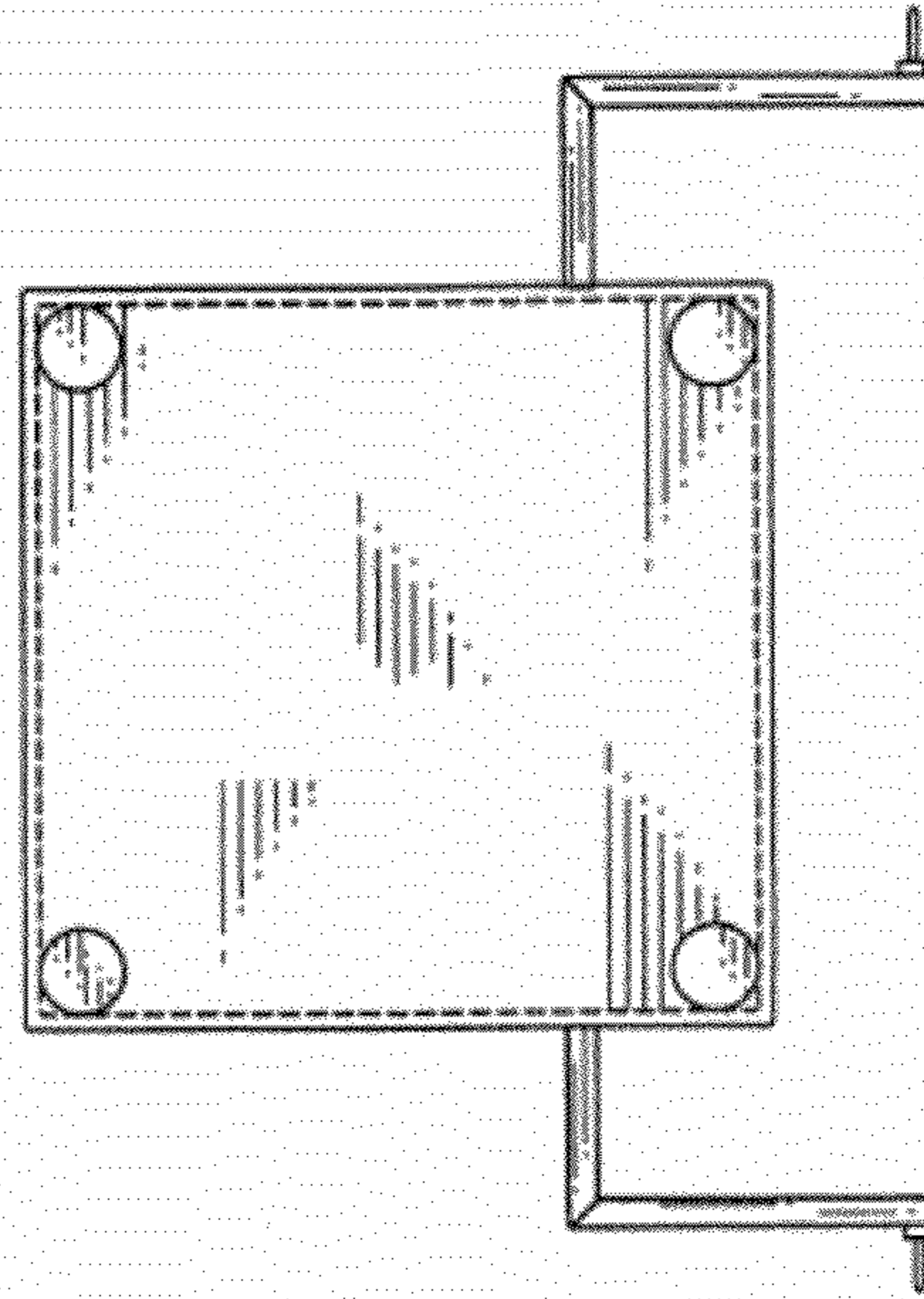


Fig. 3

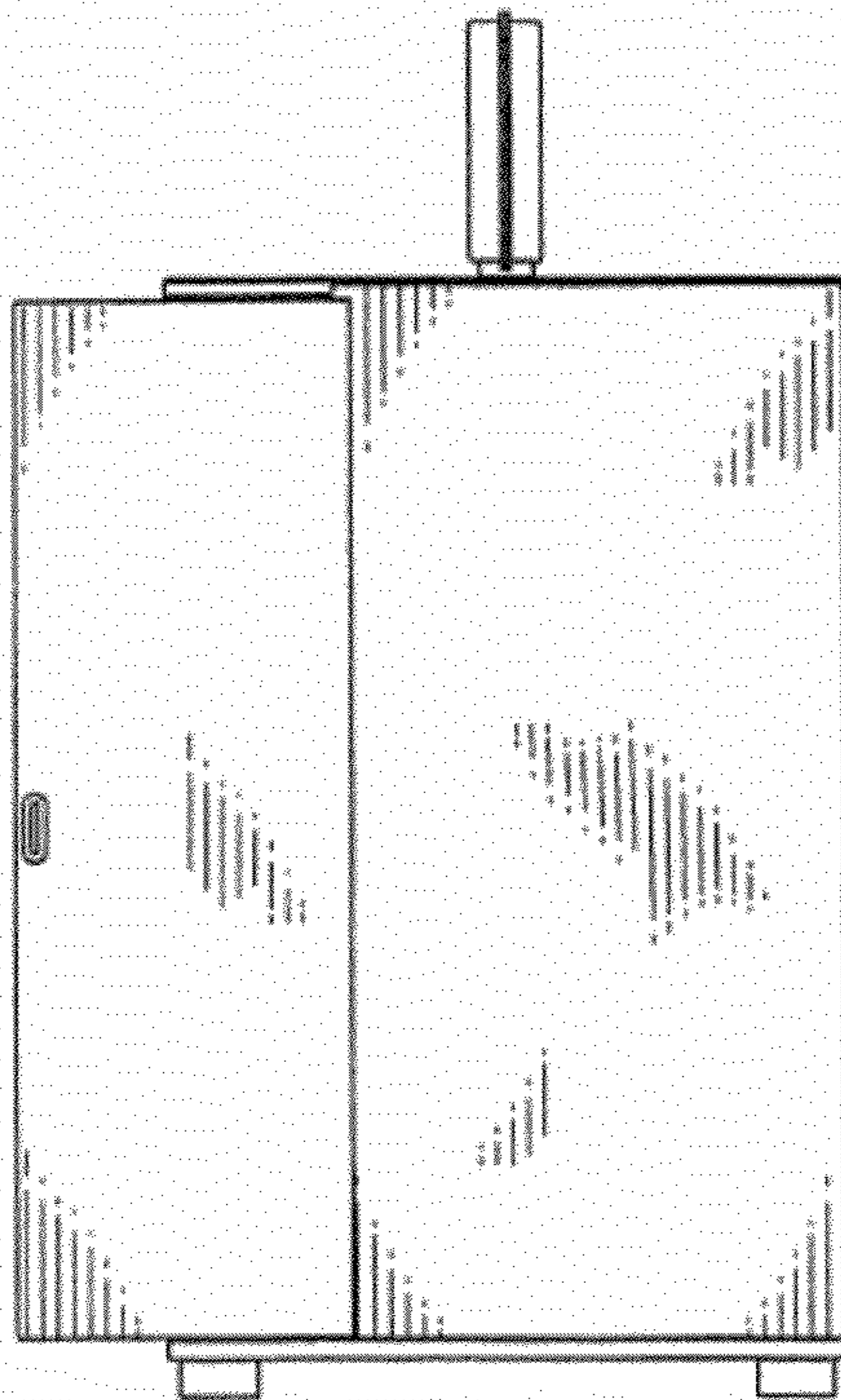


Fig. 4

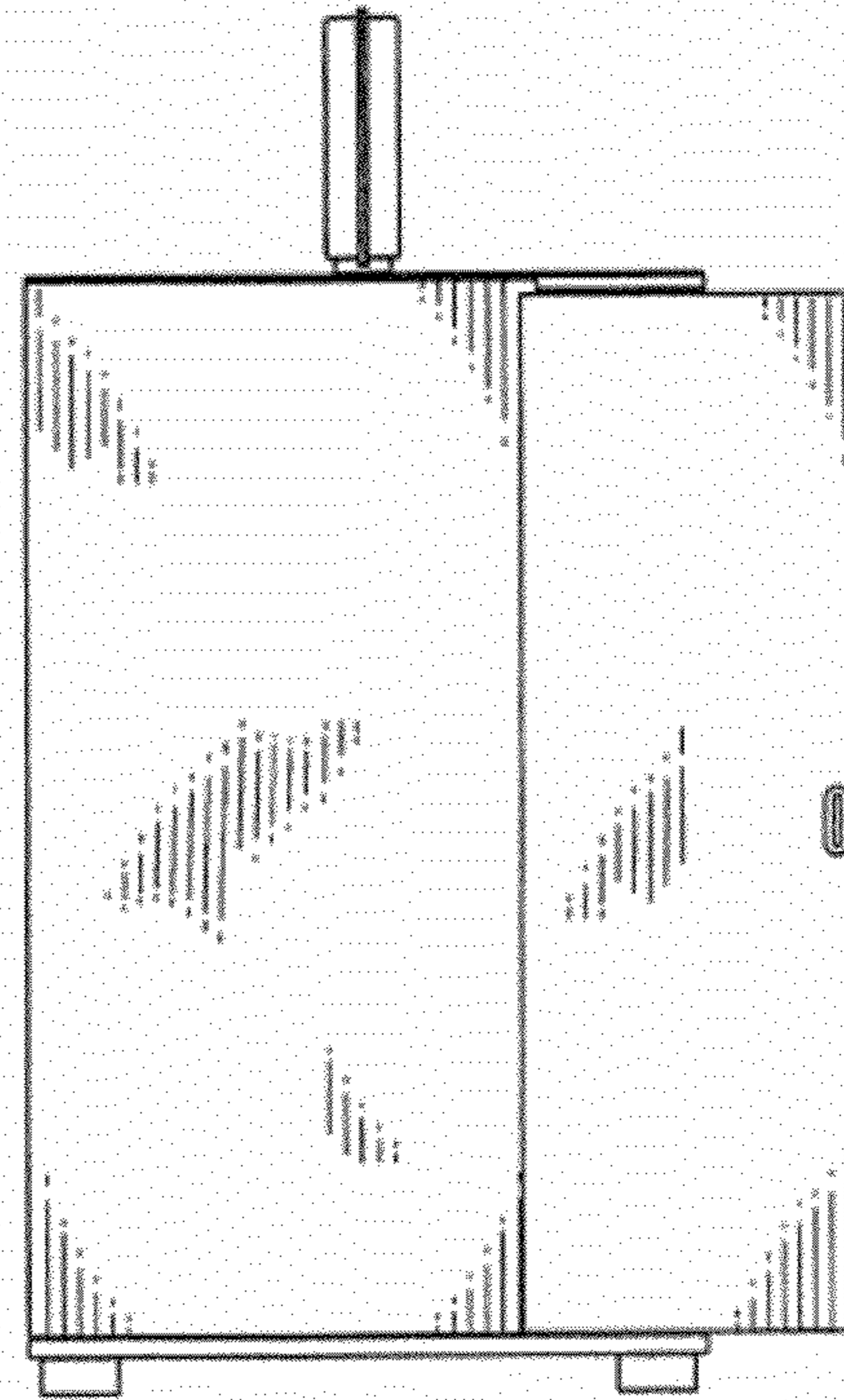


Fig. 5

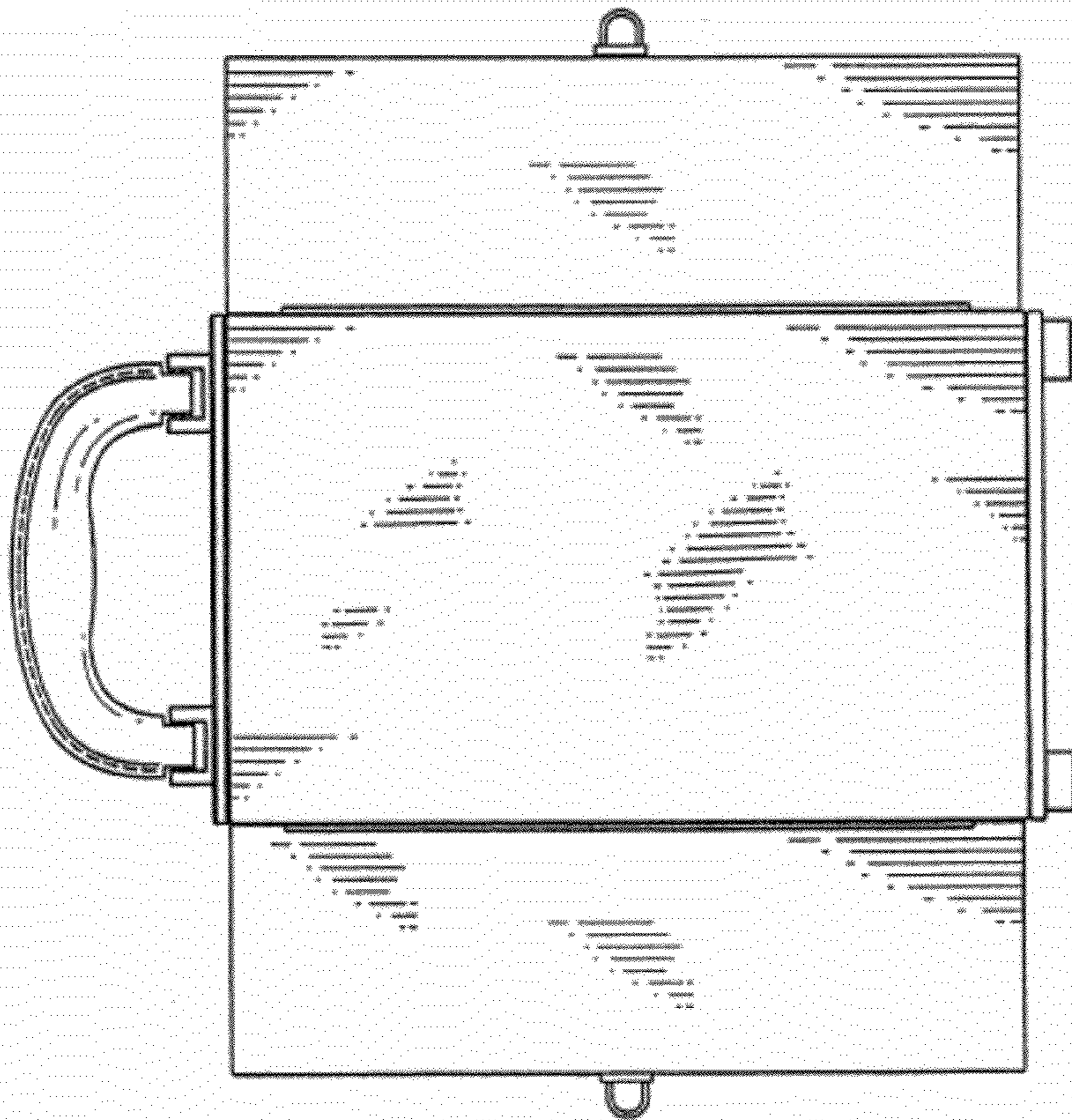


Fig. 7

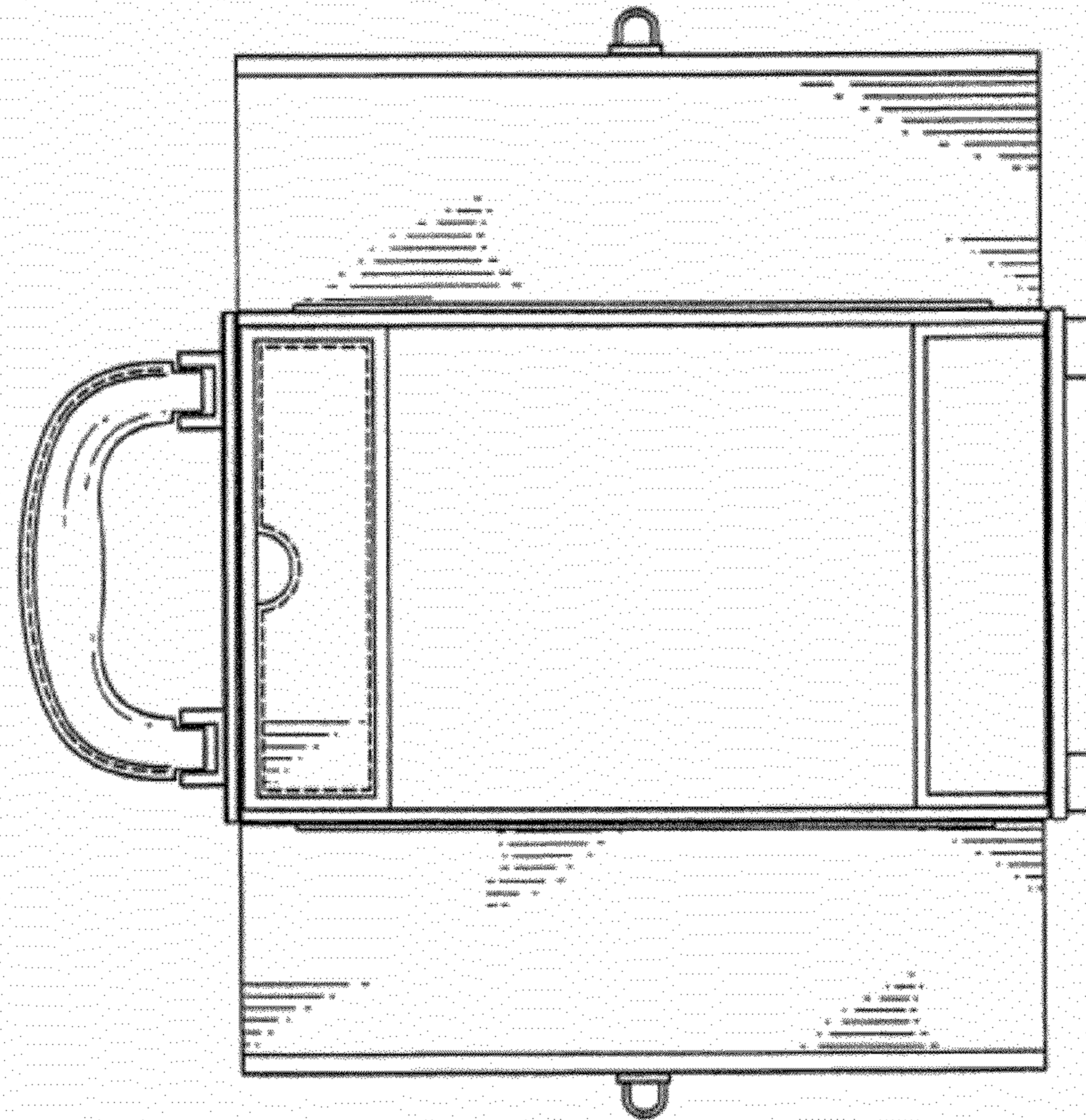


Fig. 6