



US00D668832S

(12) **United States Design Patent**  
**Auf der Maur**

(10) **Patent No.:** **US D668,832 S**

(45) **Date of Patent:** **\*\* Oct. 9, 2012**

(54) **GRIPPER**

(75) Inventor: **Konrad Auf der Maur**, Gossau (CH)

(73) Assignee: **Ferag AG**, Hinwil (CH)

(\*\*) Term: **14 Years**

(21) Appl. No.: **29/390,594**

(22) Filed: **Apr. 27, 2011**

(30) **Foreign Application Priority Data**

Oct. 29, 2010 (WO) ..... DM/074 683

(51) **LOC (9) Cl.** ..... **12-05**

(52) **U.S. Cl.** ..... **D34/35**

(58) **Field of Classification Search** ..... D34/35,  
D34/29; 198/851, 838, 853, 825; 104/93,  
104/153, 106, 150; 271/99, 10.04, 10.01,  
271/11, 10.11; D15/28, 32  
See application file for complete search history.

(56) **References Cited**

**U.S. PATENT DOCUMENTS**

D142,093 S \* 8/1945 Kemmedy ..... D15/32  
4,299,381 A \* 11/1981 Smith ..... 271/96  
4,570,543 A \* 2/1986 Ishikura et al. .... 104/300

D301,179 S \* 5/1989 Miller ..... D34/29  
5,125,637 A \* 6/1992 Glaser ..... 271/11  
D367,143 S \* 2/1996 Sauber ..... D34/29  
D373,883 S \* 9/1996 Dillard ..... D34/29  
D448,908 S \* 10/2001 Kangas et al. .... D34/35  
D459,047 S \* 6/2002 Tanaka ..... D34/28  
6,616,137 B2 \* 9/2003 Kaya et al. .... 271/101  
7,252,209 B2 \* 8/2007 Julius ..... 221/33  
D586,074 S 2/2009 Auf der Maur

\* cited by examiner

*Primary Examiner* — Cynthia Ramirez

(74) *Attorney, Agent, or Firm* — Rankin, Hill & Clark LLP

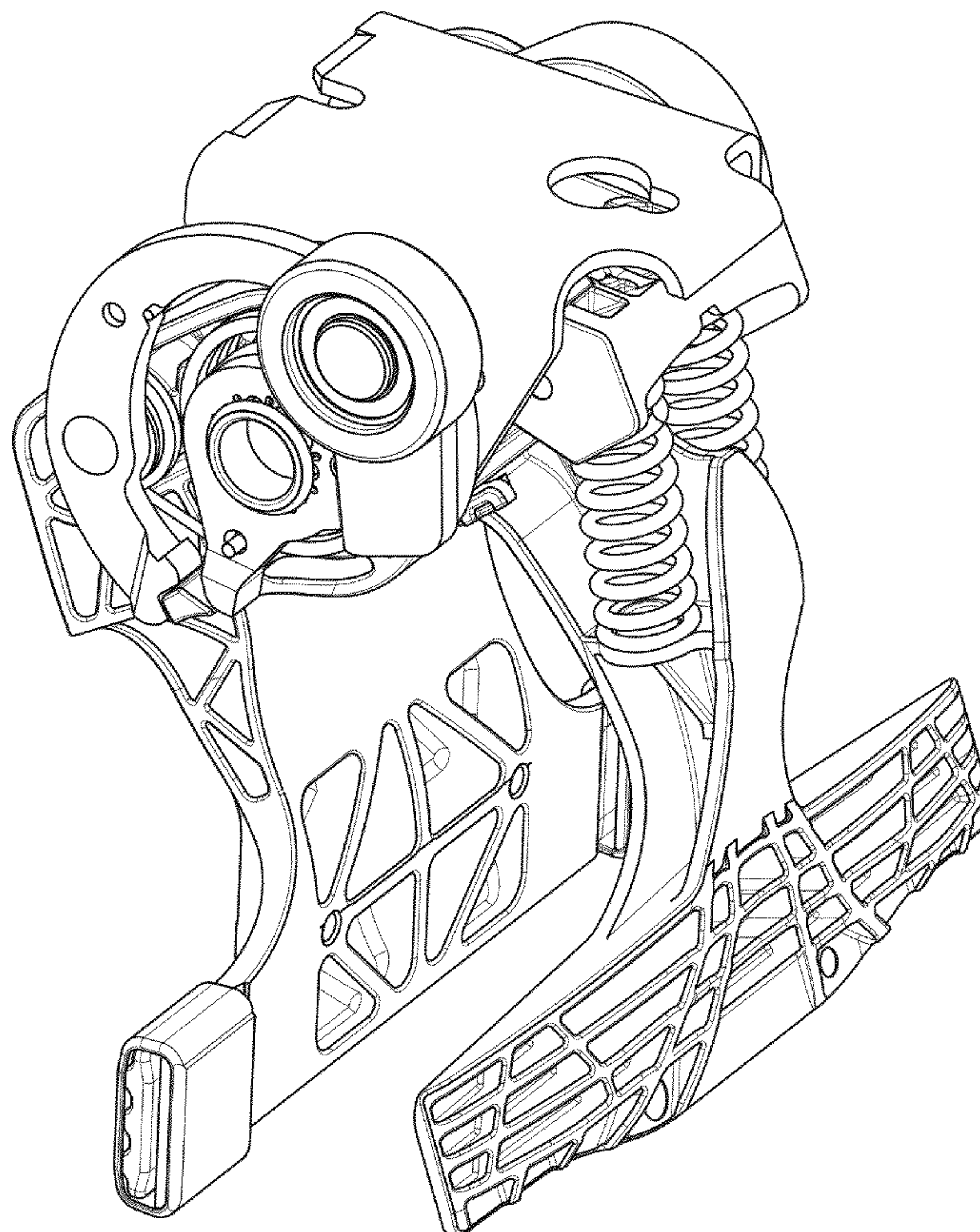
(57) **CLAIM**

The ornamental design for a gripper, as shown and described.

**DESCRIPTION**

FIG. 1 is a front left perspective view of a gripper embodying my new design;  
FIG. 2 is a rear right view of the device shown in FIG. 1;  
FIG. 3 is a right side elevational view of the device shown in FIG. 1;  
FIG. 4 is a left side elevational view of the device shown in FIG. 1;  
FIG. 5 is a top view of the device shown in FIG. 1;  
FIG. 6 is a bottom view of the device shown in FIG. 1;  
FIG. 7 is a front view of the device shown in FIG. 1; and,  
FIG. 8 is a rear view of the device shown in FIG. 1.

**1 Claim, 8 Drawing Sheets**



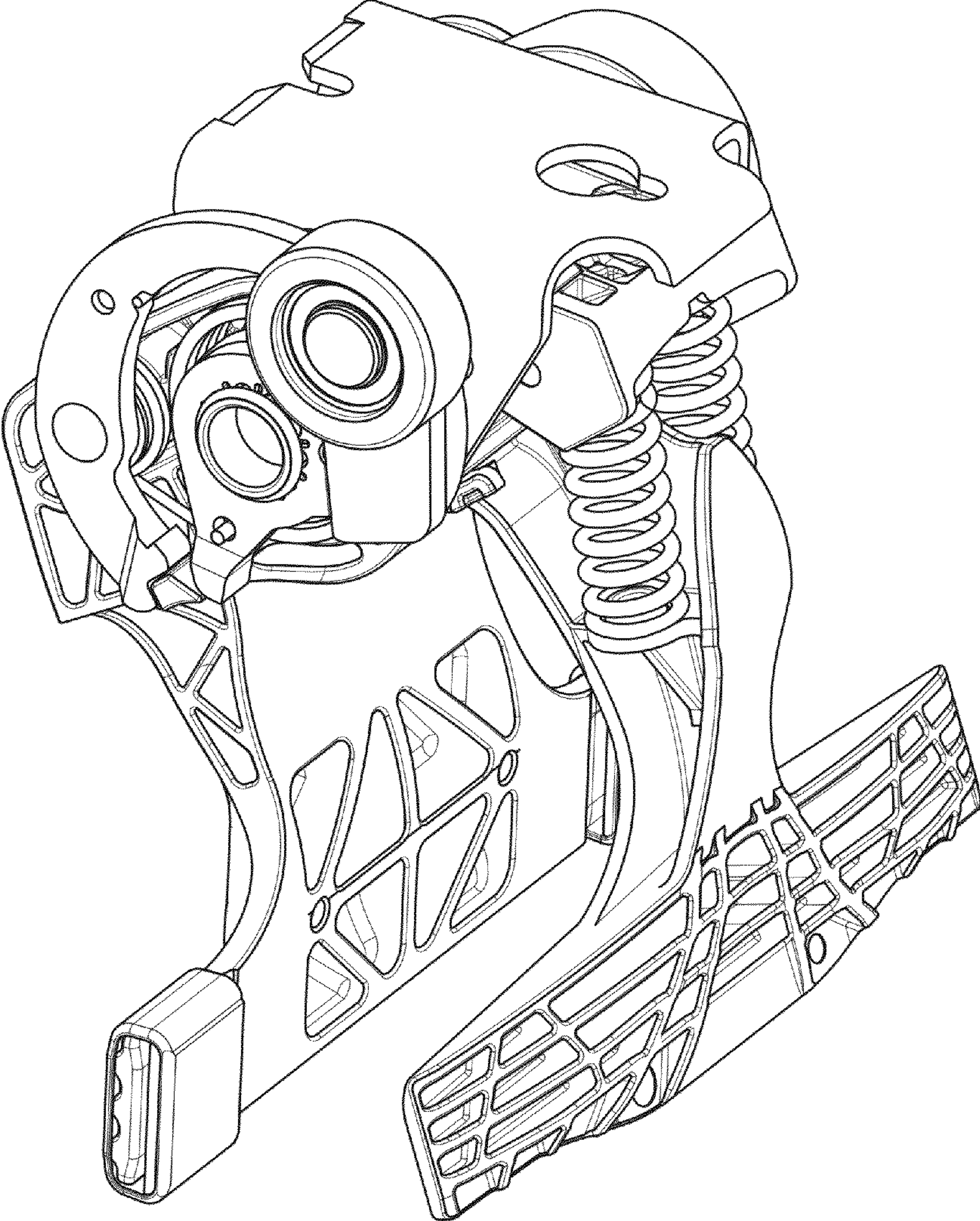


FIG. 1



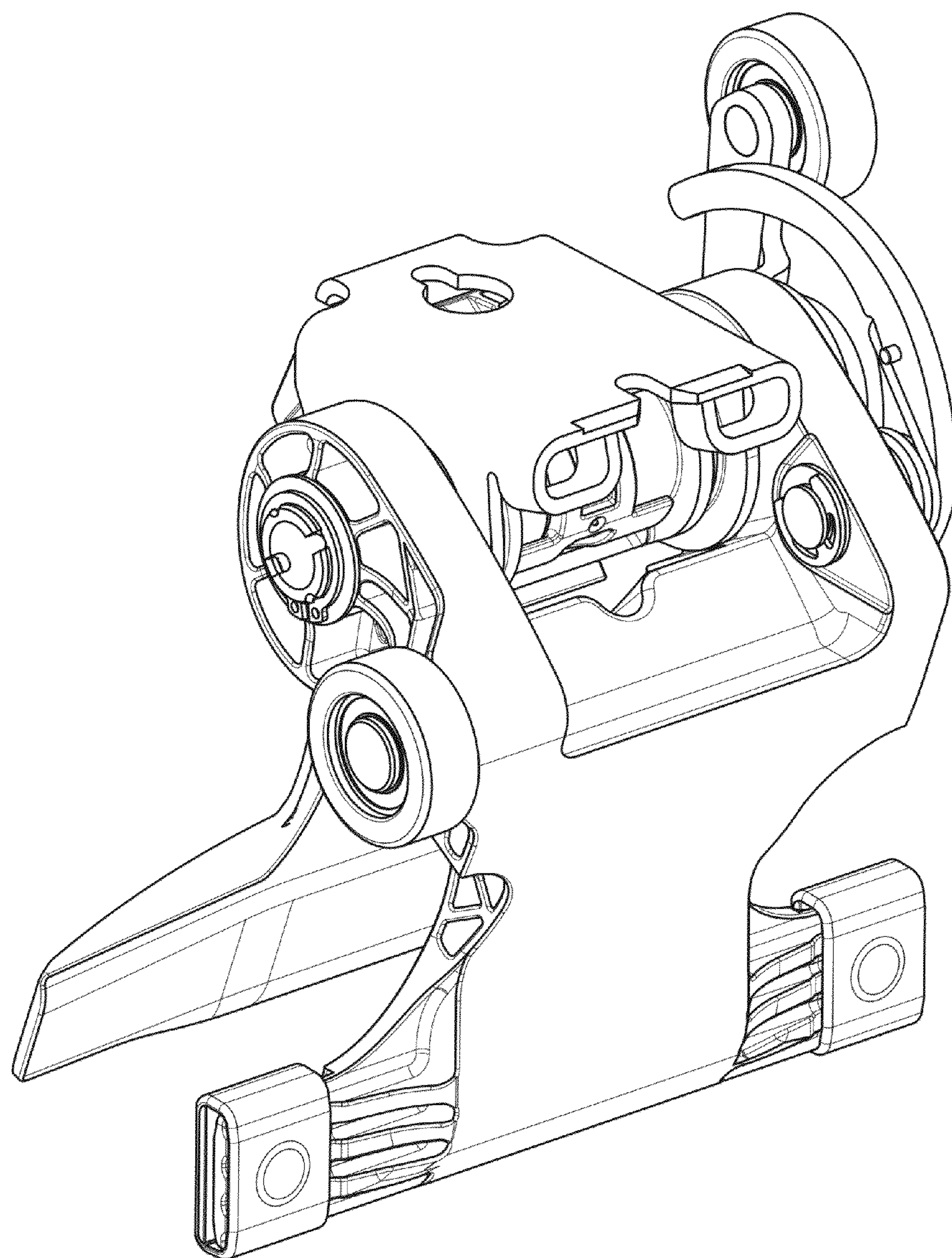


FIG. 2

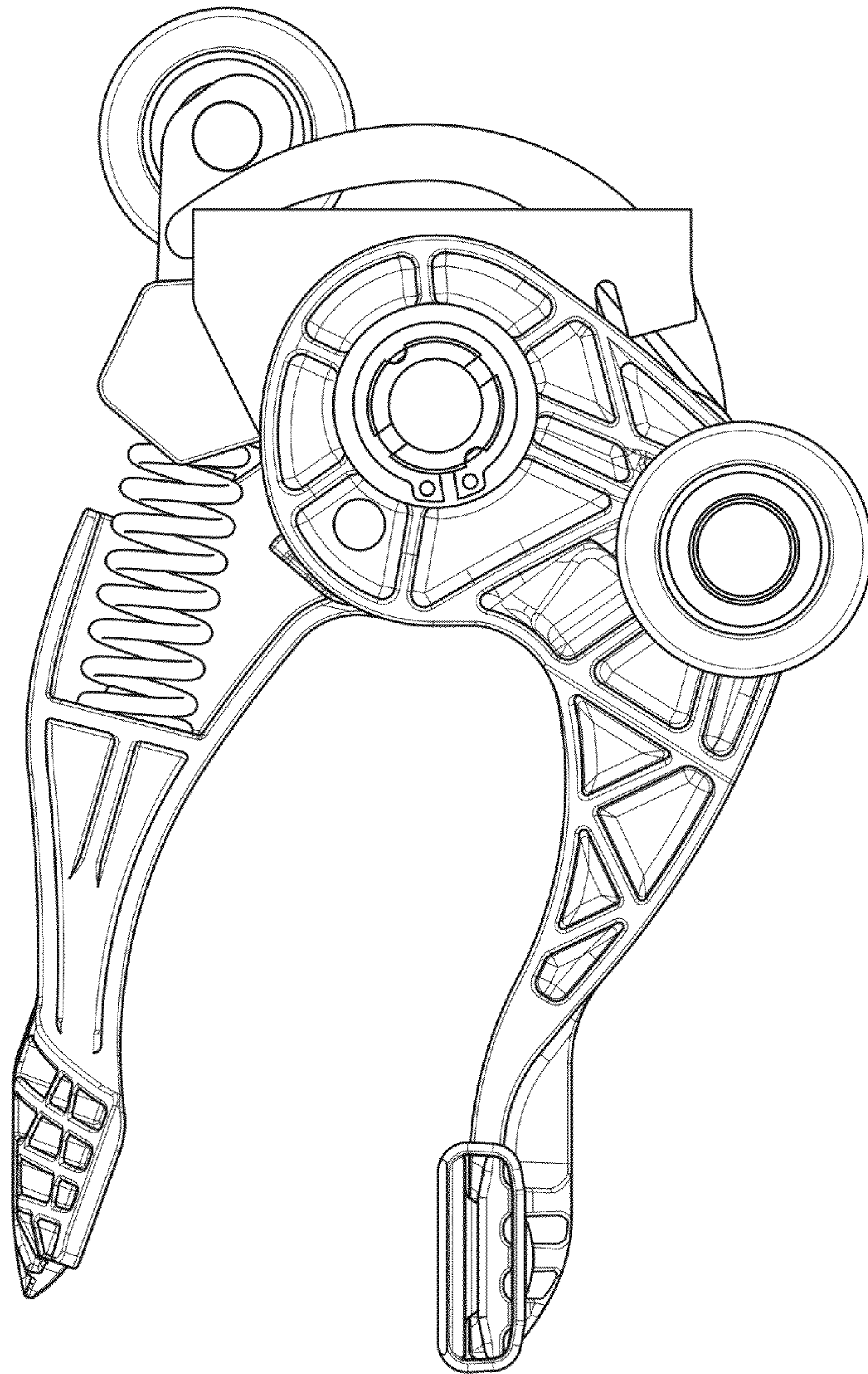


FIG. 3

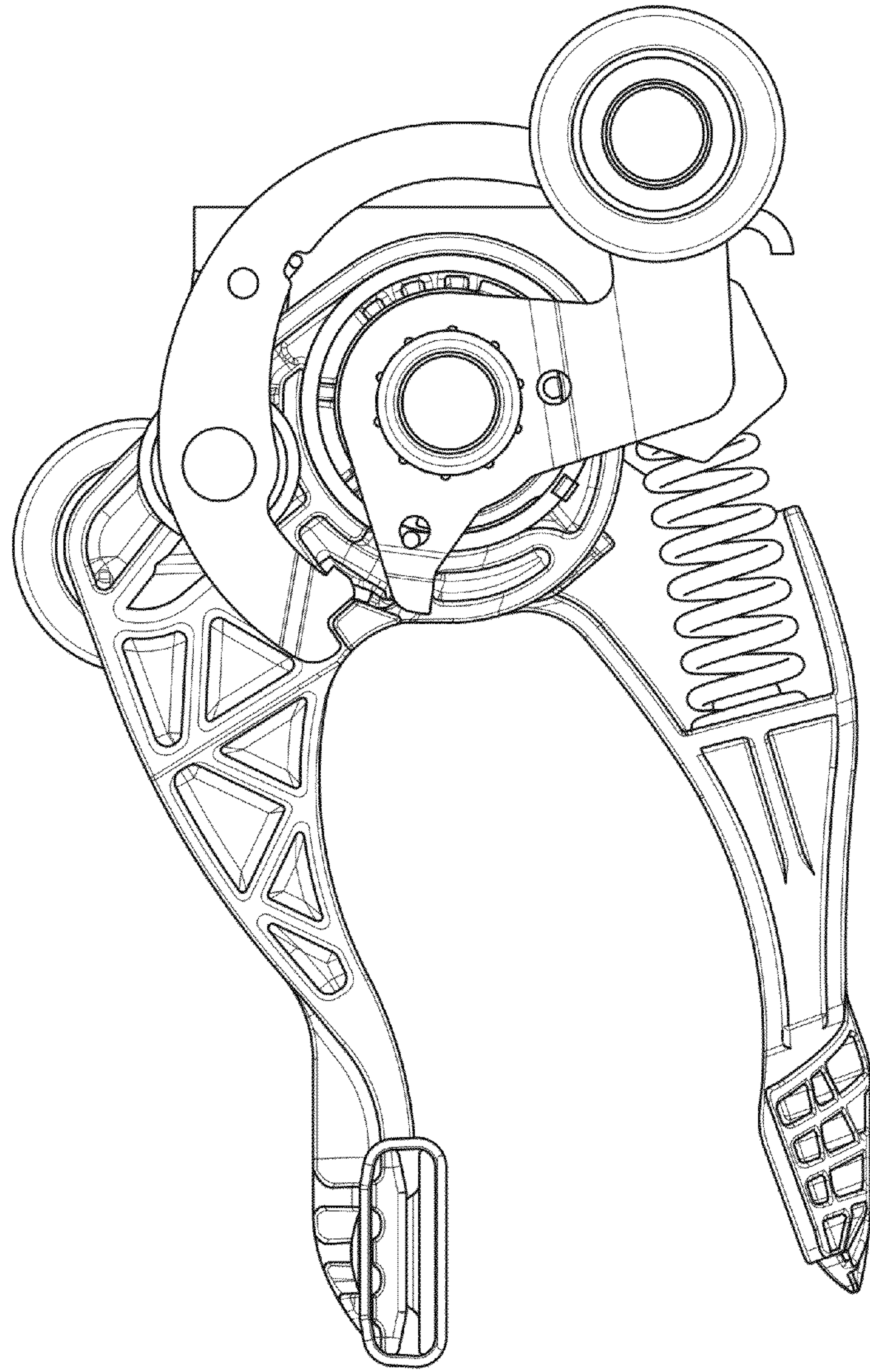


FIG. 4



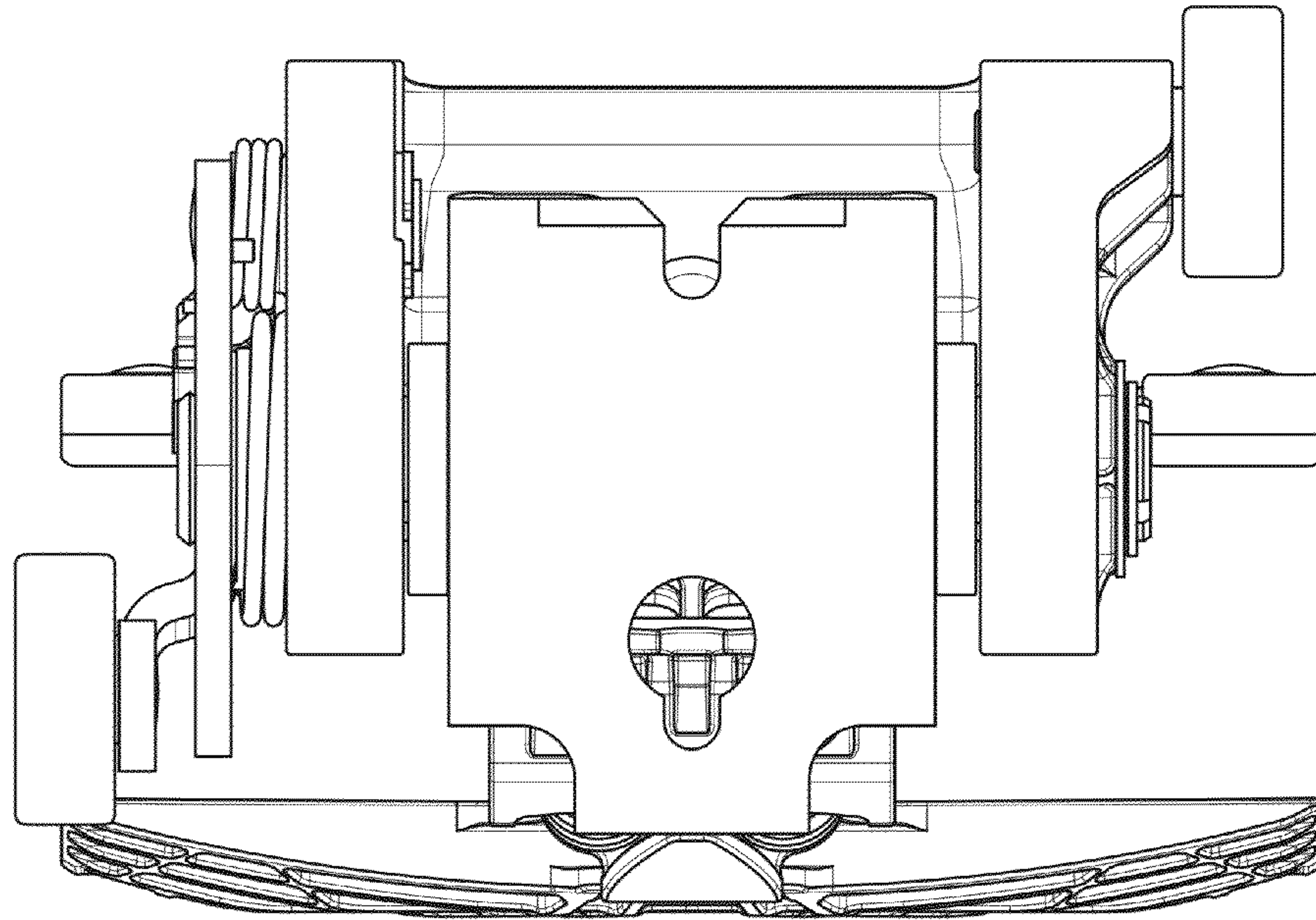


FIG. 5

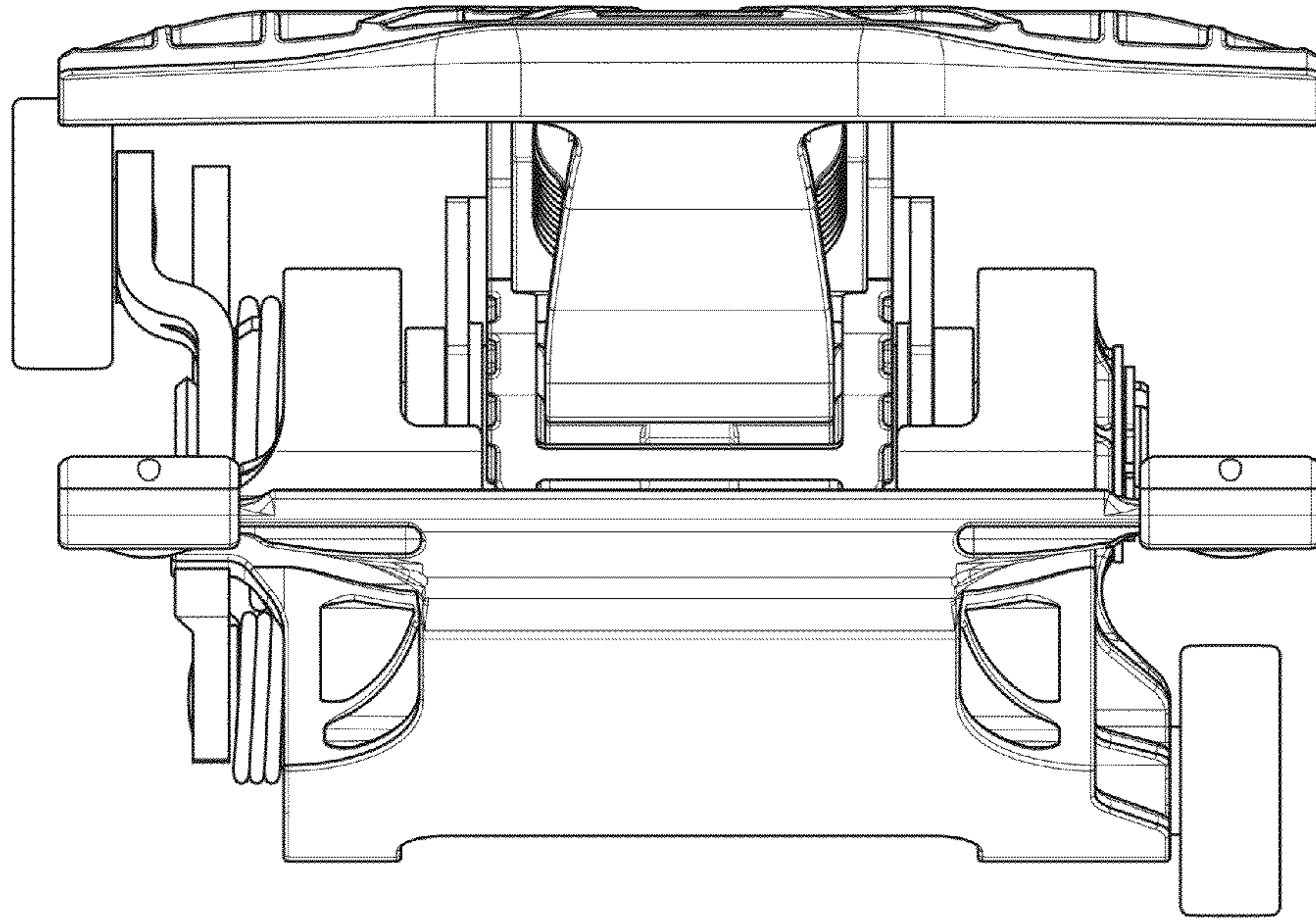


FIG. 6

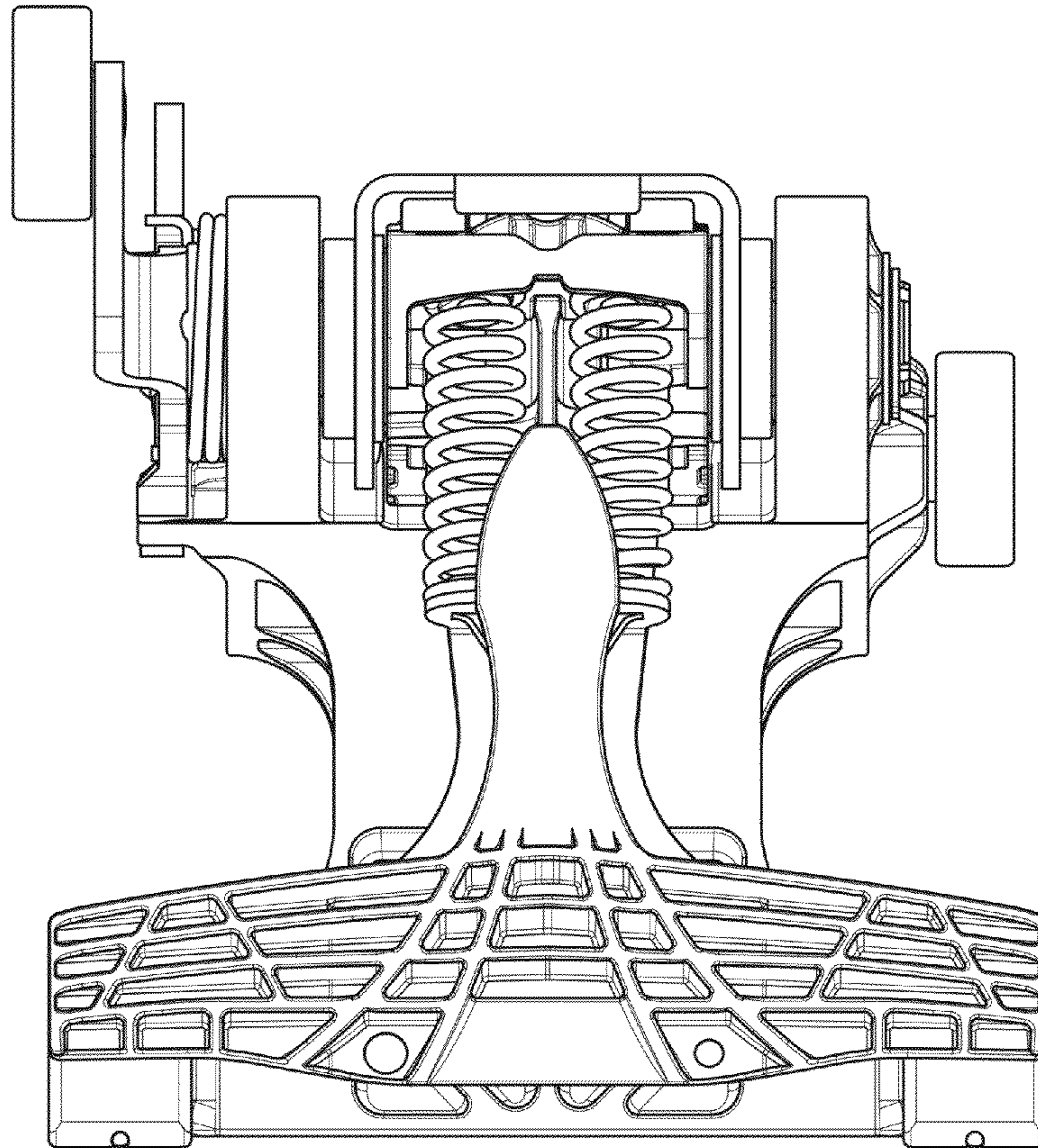


FIG. 7



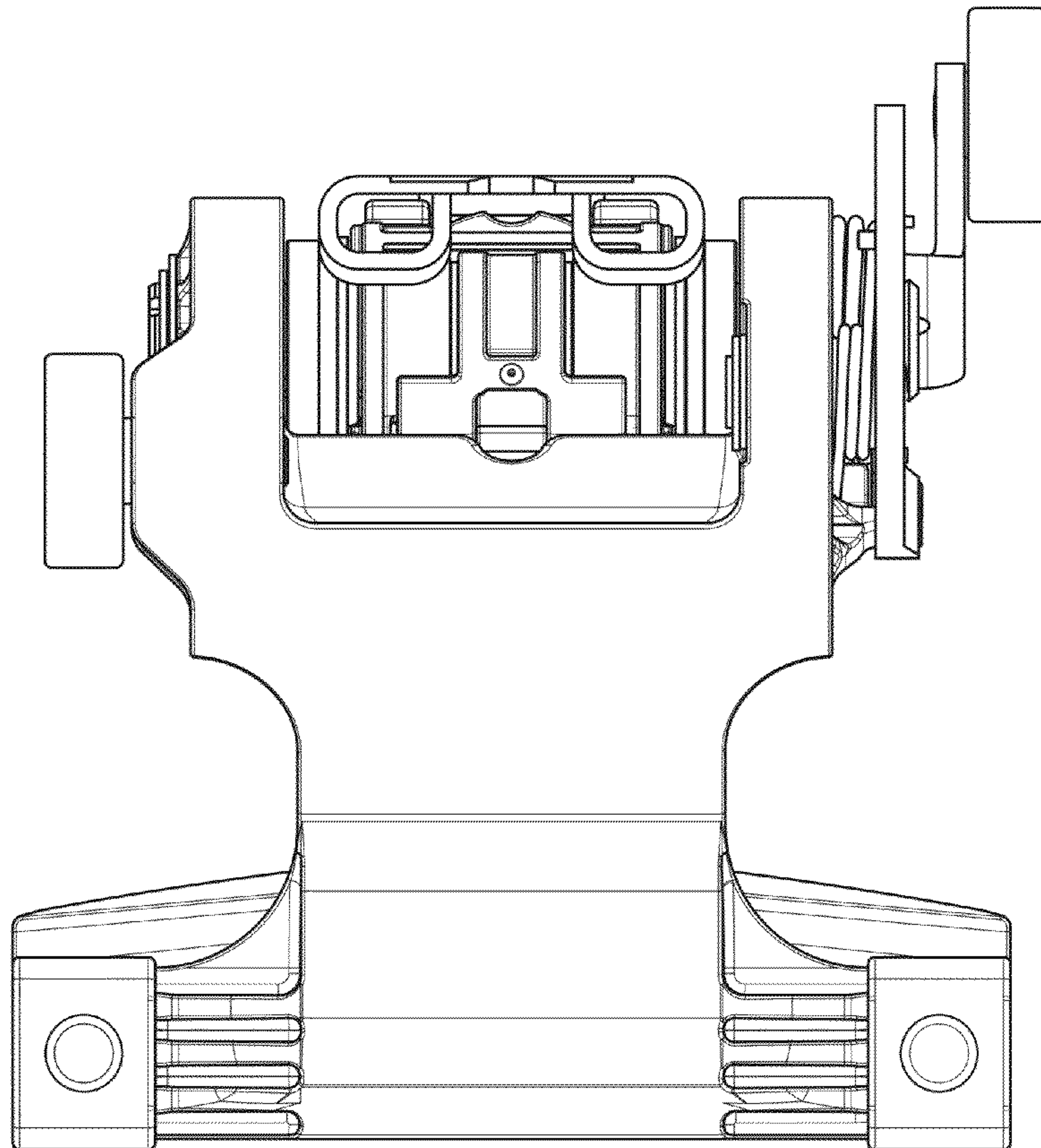


FIG. 8