



US00D668829S

(12) **United States Design Patent**
Ono

(10) **Patent No.:** **US D668,829 S**

(45) **Date of Patent:** **** Oct. 9, 2012**

(54) **CART**

7,270,339 B2 * 9/2007 Feick 280/79.3
D553,324 S * 10/2007 Lieblein et al. D34/14
8,074,815 B2 * 12/2011 Gerstner 211/193

(75) Inventor: **Naho Ono**, Kanagawa (JP)

(73) Assignee: **Okamura Corporation**, Kanagawa (JP)

(**) Term: **14 Years**

(21) Appl. No.: **29/410,734**

(22) Filed: **Jan. 11, 2012**

(30) **Foreign Application Priority Data**

Nov. 8, 2011 (JP) 2011-025680

(51) **LOC (9) Cl.** **12-02**

(52) **U.S. Cl.** **D34/12**

(58) **Field of Classification Search** D34/12-27;
280/47.26, 47.35, 47.34, 47.24, 47.27, 47.29,
280/79.3, 79.11, 65, 4, 655, 47.28; D6/477,
D6/478; 211/149

See application file for complete search history.

(56) **References Cited**

U.S. PATENT DOCUMENTS

D118,060 S * 12/1939 Smith D34/24
3,074,734 A * 1/1963 Munson et al. 280/641
D304,112 S * 10/1989 Bettess D34/21
D305,710 S * 1/1990 Ng et al. D6/474
D339,441 S * 9/1993 Marchant et al. D34/21
D363,590 S * 10/1995 Kazmerchek et al. D34/21
6,688,634 B2 * 2/2004 Noffsinger 280/651
D500,575 S * 1/2005 Lucas D34/12
7,168,715 B1 * 1/2007 Friedman 280/47.35
7,188,847 B1 * 3/2007 Friedman et al. 280/47.35

OTHER PUBLICATIONS

“Nurse Cart”, International Modern Hospital Show 2011 (<http://www.noma.or.jp/hs/>), Japan Hospital Association and Nippon Omni-Management Association, Tokyo Big Sight East Exhibition Hall, Jul. 13, 2011, Okamura Corporation.

“Smart Nurse Cart ‘Karre’ Now on Sale”, http://www.okamura.co.jp/#f_loadText, http://okamura.co.jp/company/topis/2011/_karre.php, Nov. 8, 2011, Okamura Corporation.

* cited by examiner

Primary Examiner — Cynthia Ramirez

(74) *Attorney, Agent, or Firm* — Sughrue Mion, PLLC

(57) **CLAIM**

The ornamental design for a cart, as shown and described.

DESCRIPTION

FIG. 1 is a perspective view of a cart showing my new design; FIG. 2 is a front elevation view thereof.

FIG. 3 is a rear elevation view thereof.

FIG. 4 is a right side elevation view thereof.

FIG. 5 is a left side elevation view thereof.

FIG. 6 is a top plan view thereof.

FIG. 7 is a bottom plan view thereof.

FIG. 8 is a sectional view of line 8-8 in FIG. 2.

FIG. 9 is a sectional view of line 9-9 in FIG. 2.

FIG. 10 is a right side elevation view thereof showing the top board heightened; and,

FIG. 11 is a referential view showing use thereof.

The portion of the cart shown in broken lines is for the purpose of showing environmental structure only and forms no part of the claimed design.

1 Claim, 11 Drawing Sheets

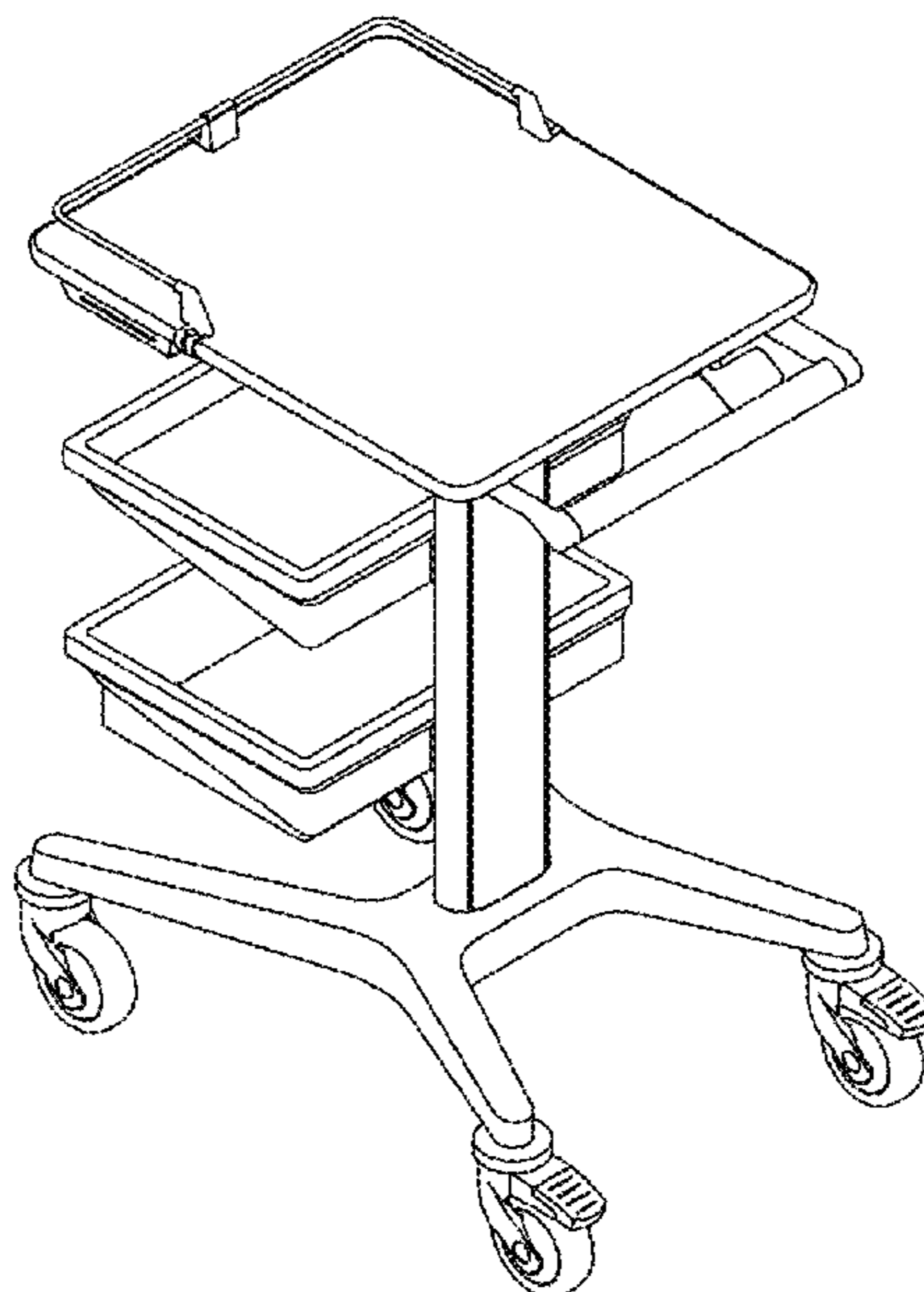


FIG. 1

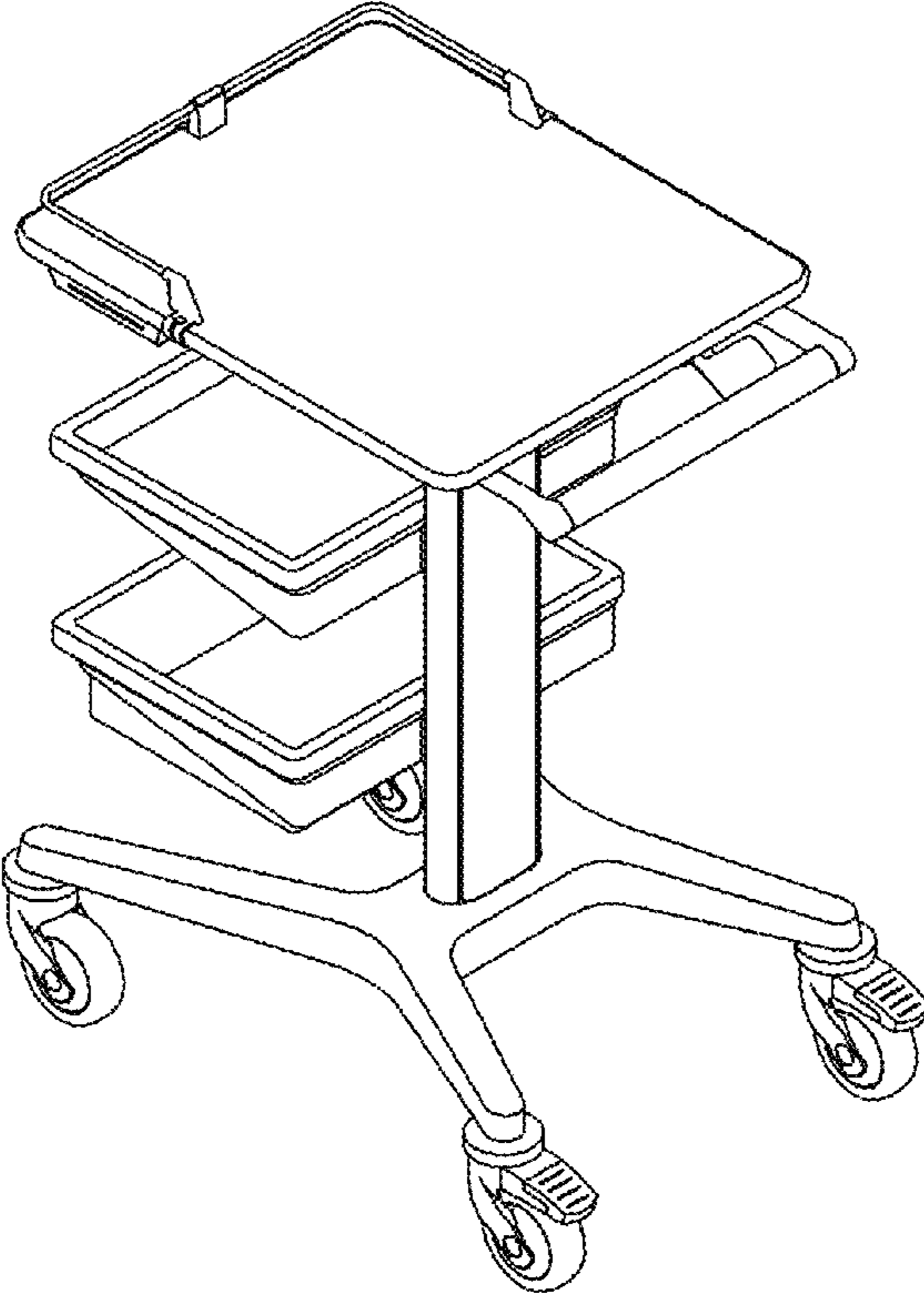


FIG. 2

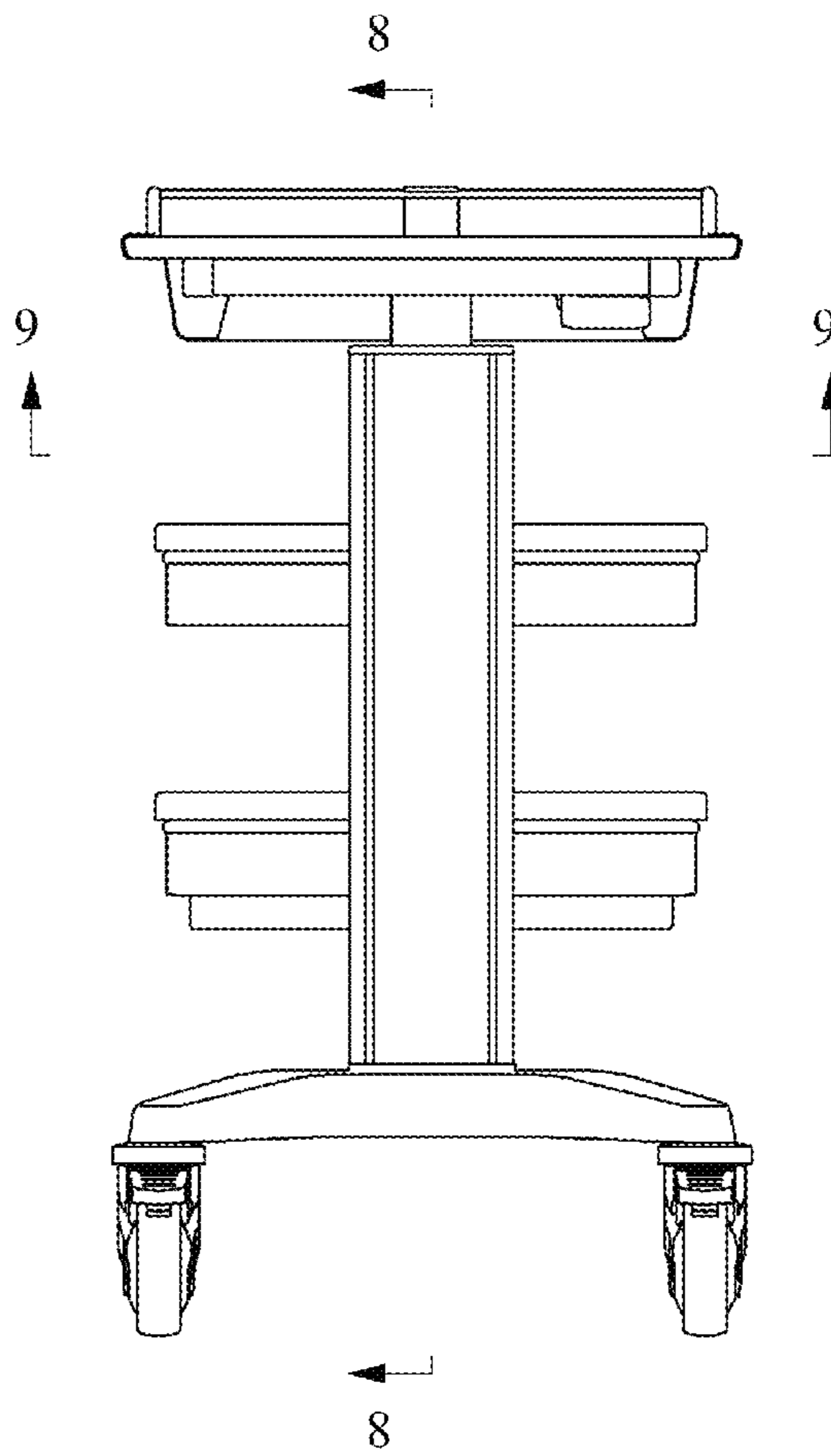


FIG. 3

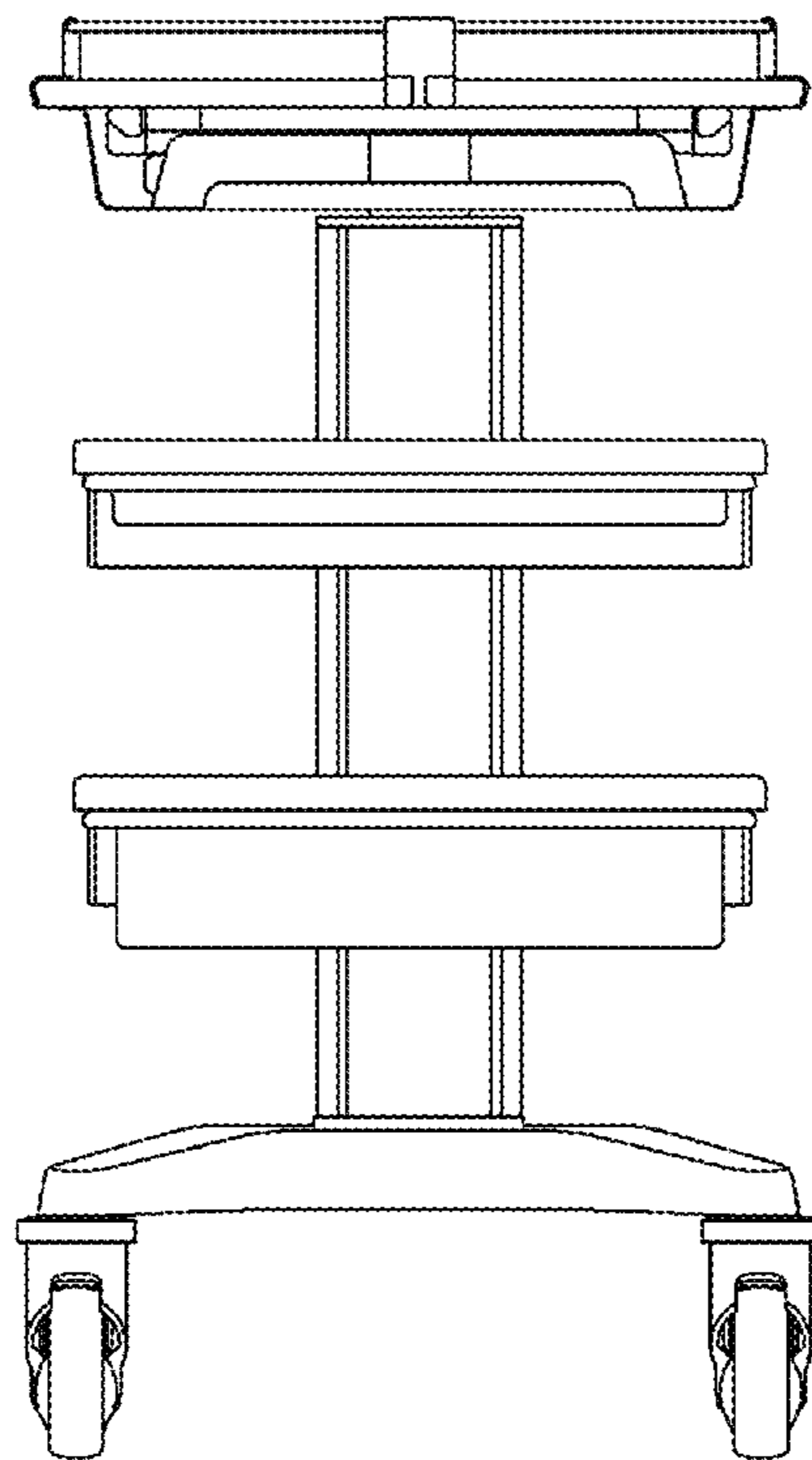


FIG. 4

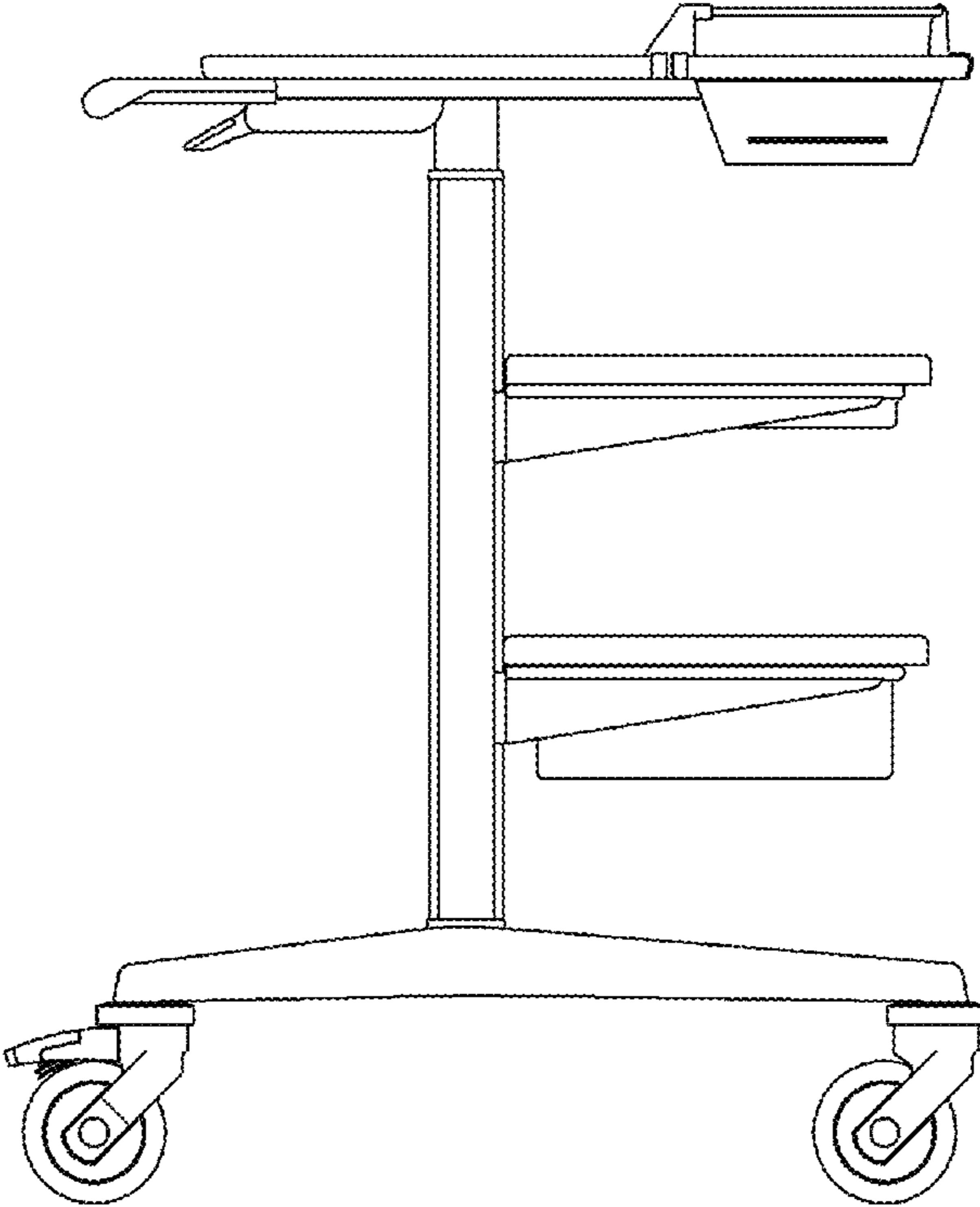


FIG. 5

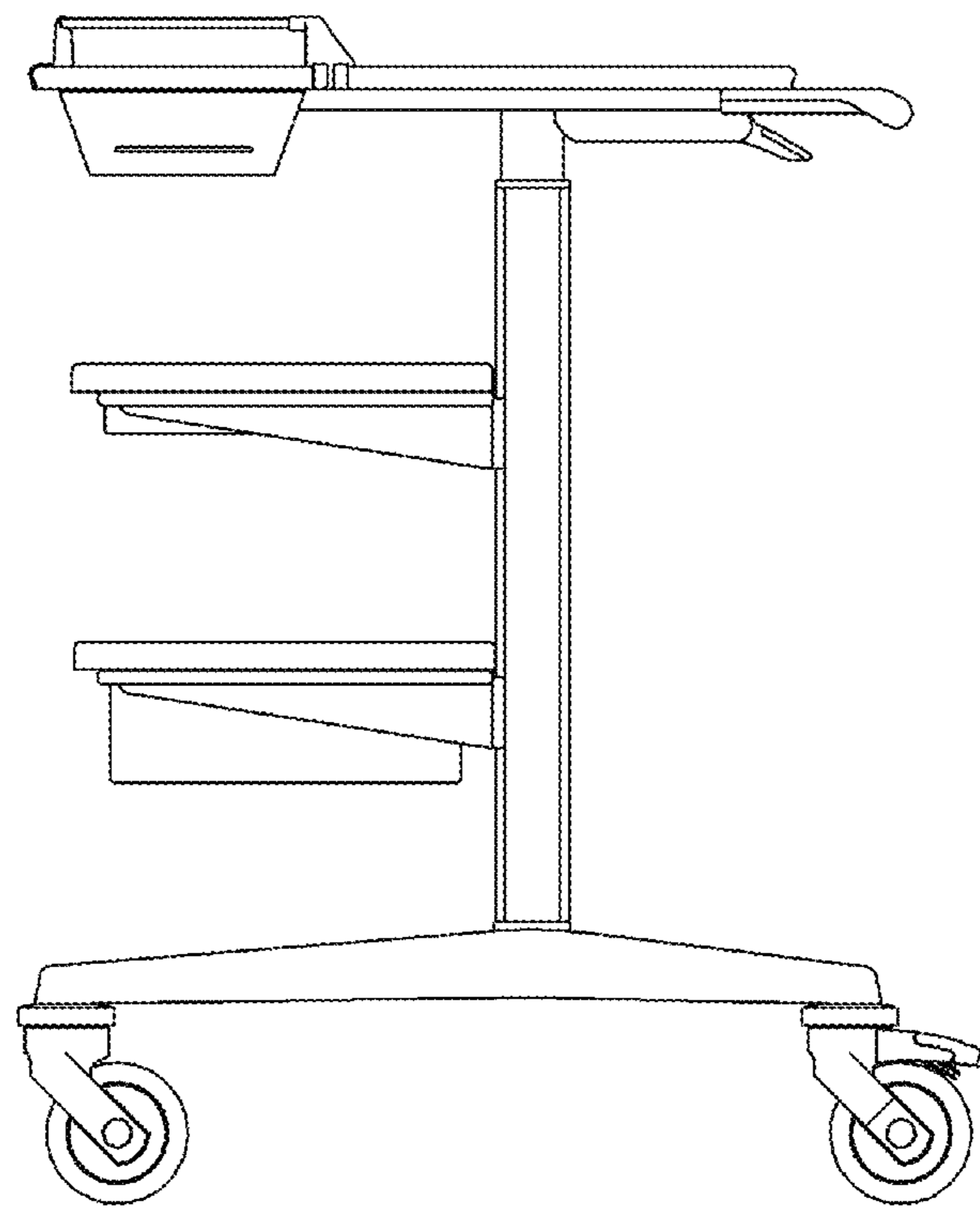


FIG. 6

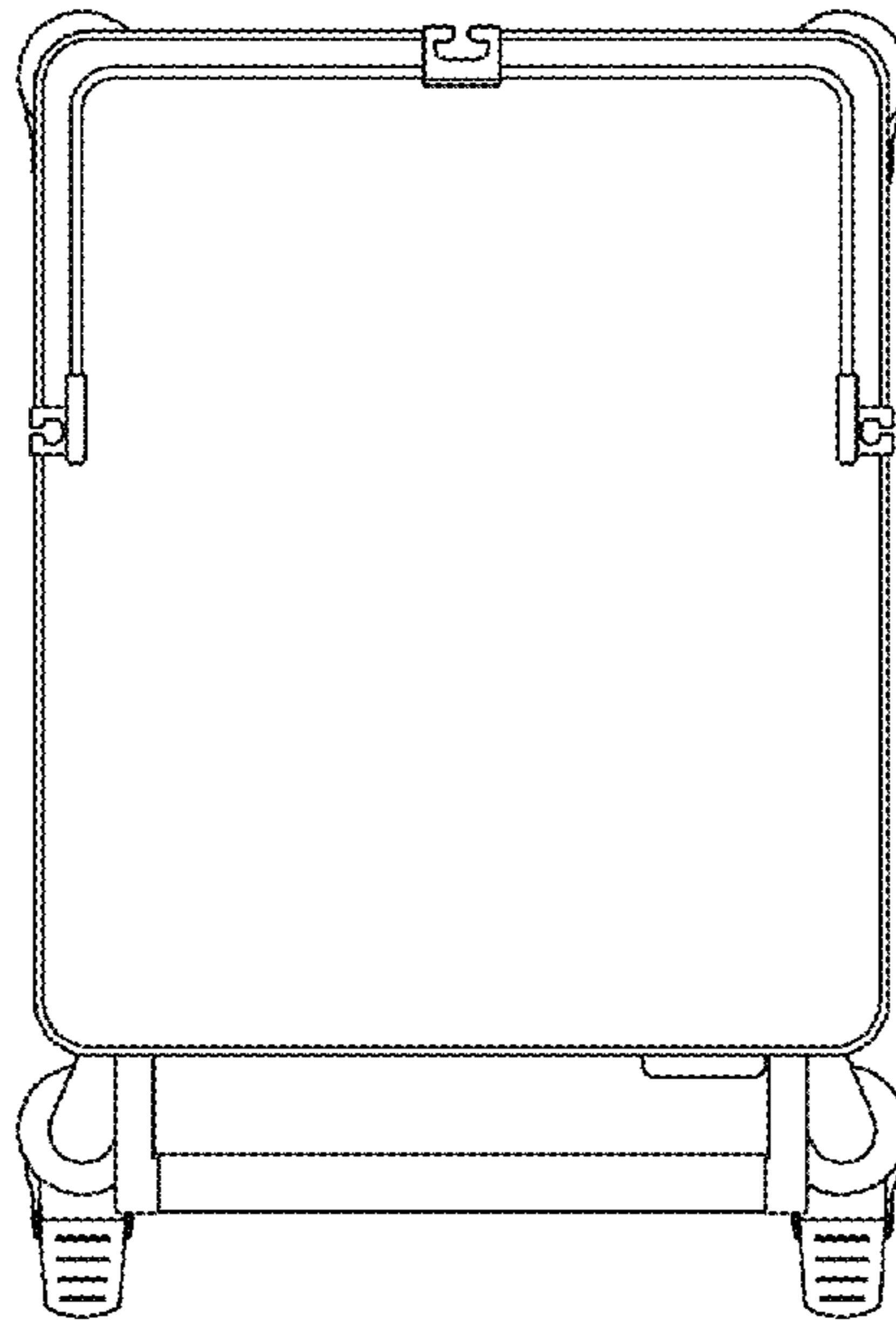


FIG. 7

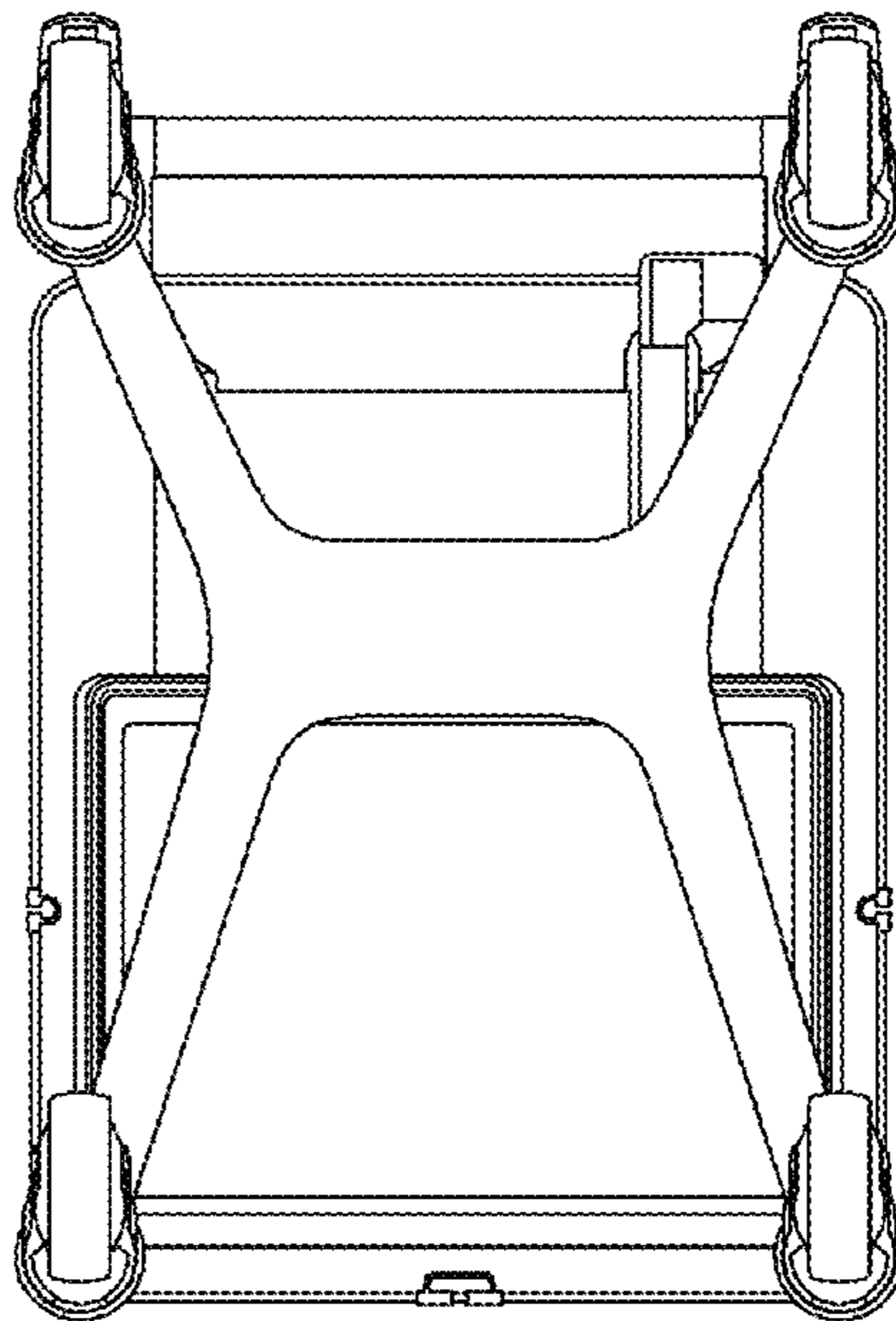


FIG. 8

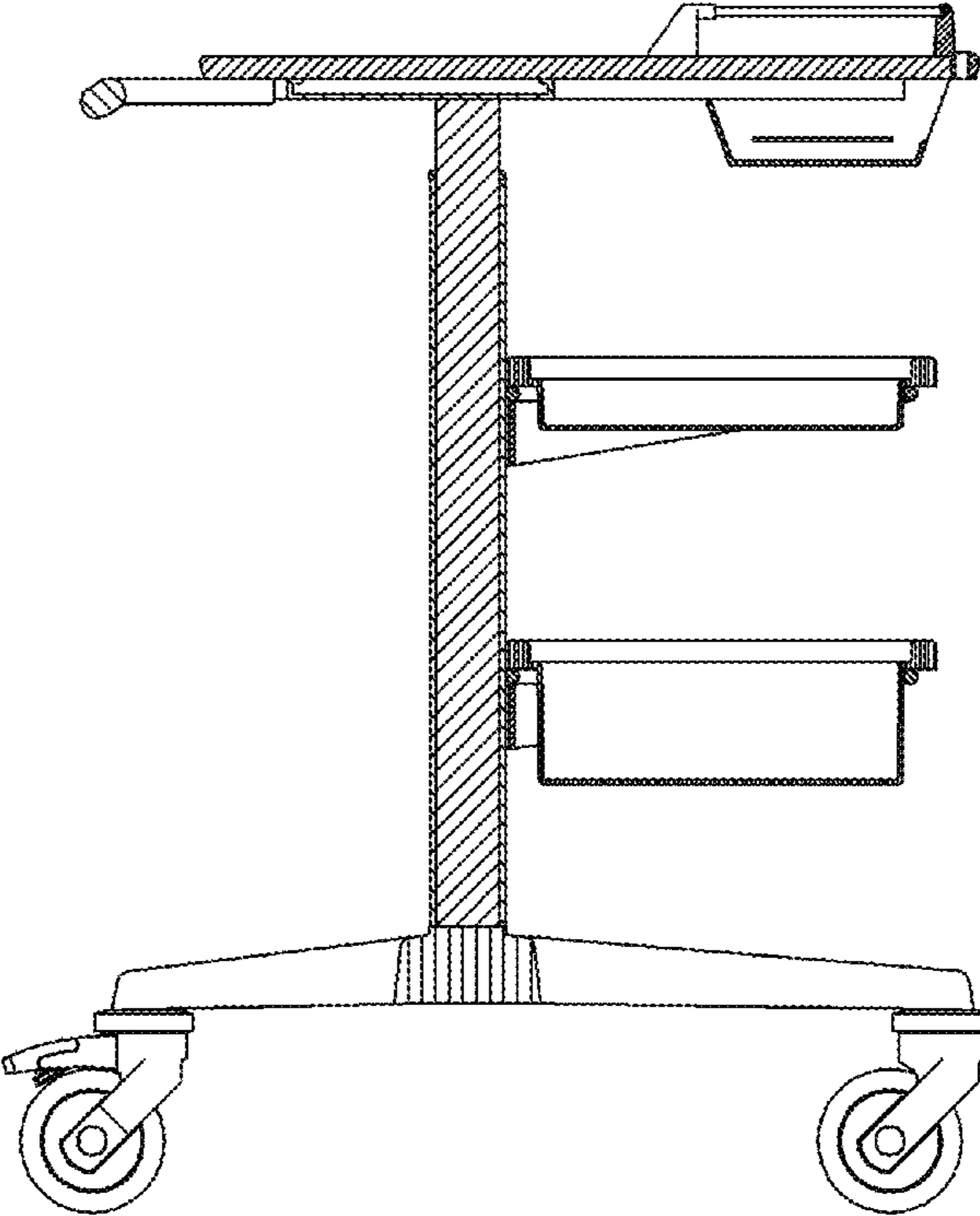


FIG. 9

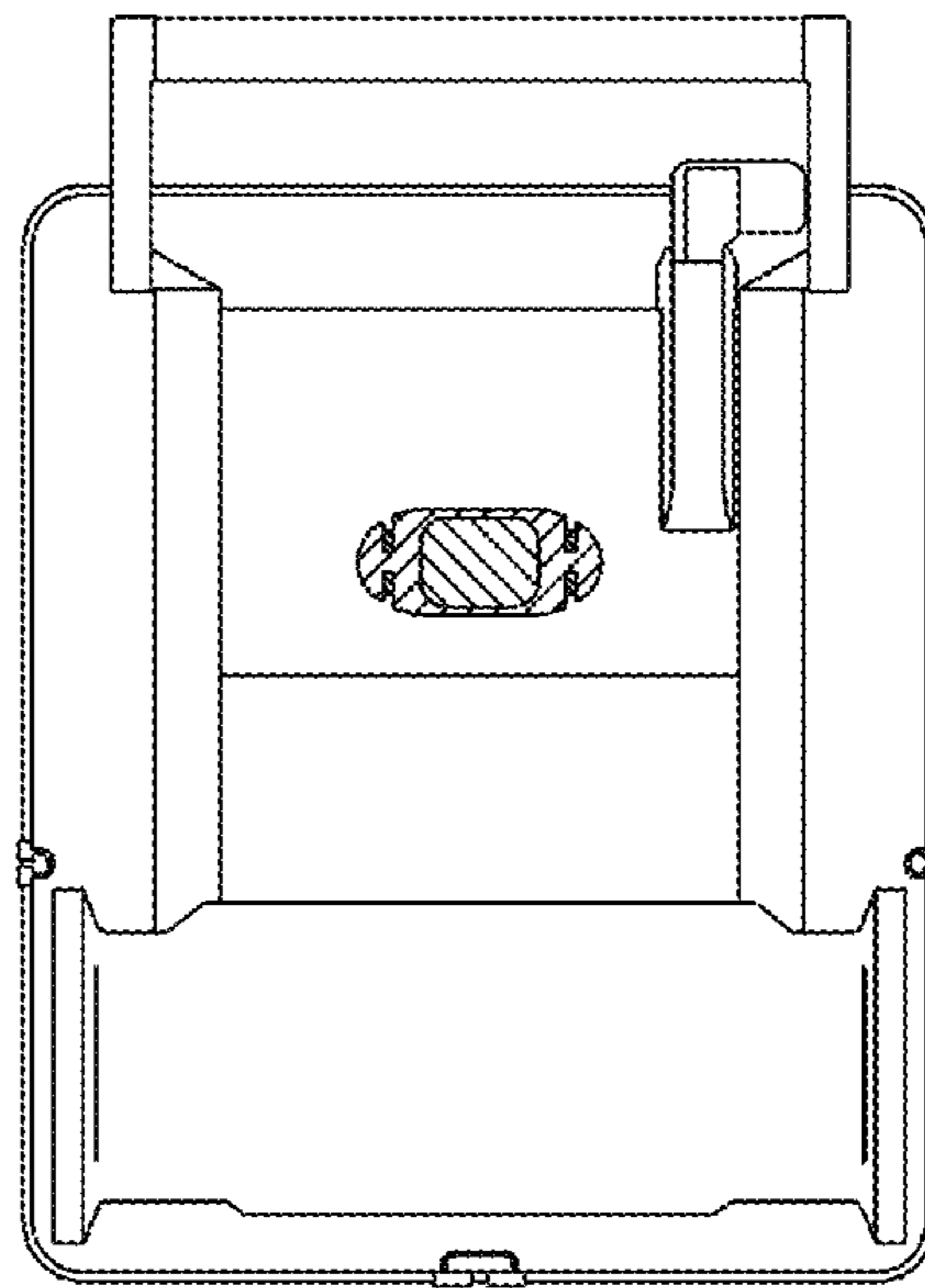


FIG. 10

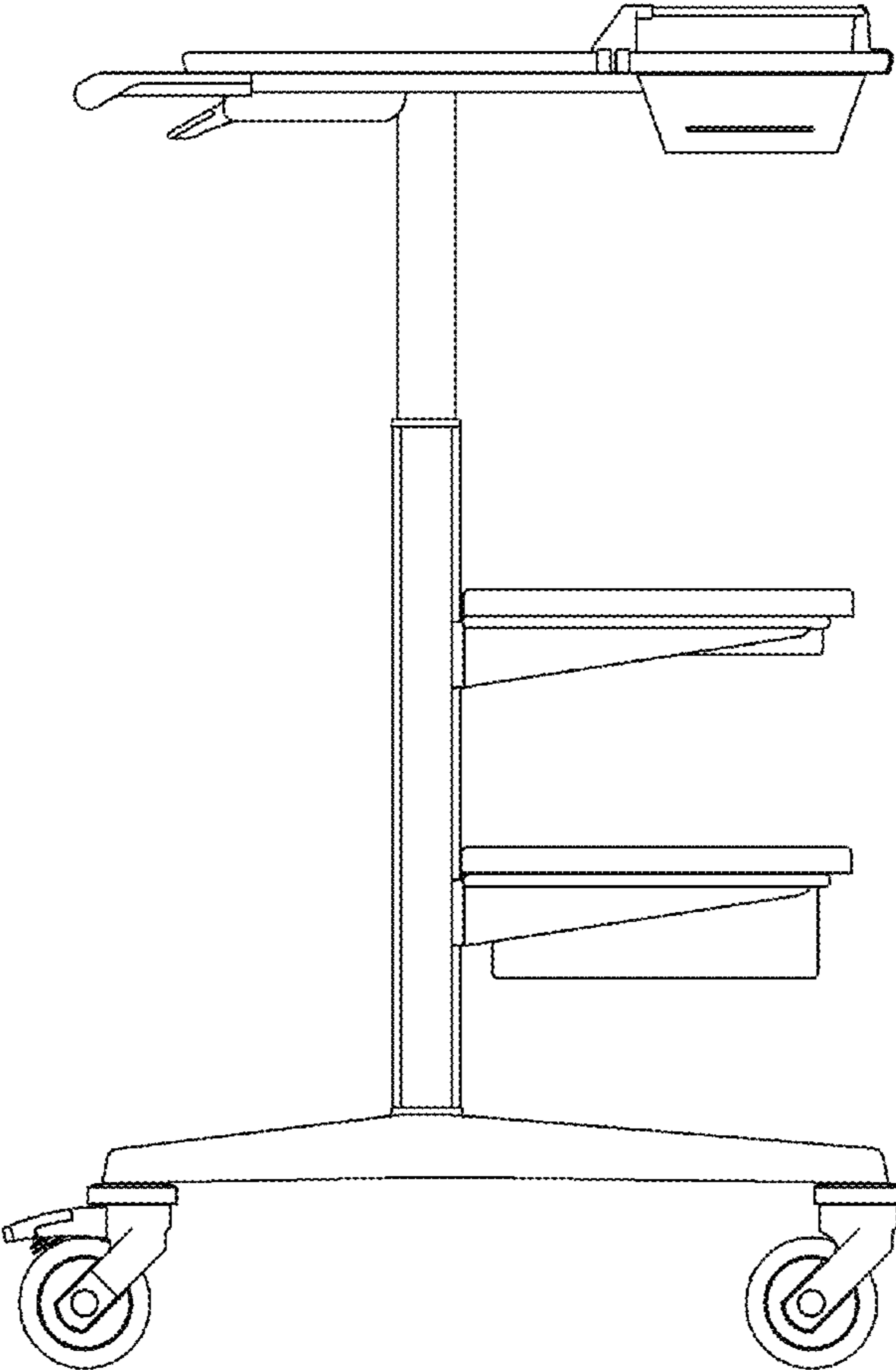


FIG. 11

