

US00D668828S

(12) **United States Design Patent**
Jachim

(10) **Patent No.:** **US D668,828 S**
(45) **Date of Patent:** **** Oct. 9, 2012**

(54) **BAG HOLDER**

(76) Inventor: **Edward C. Jachim**, Qualicum Beach
(CA)

(**) Term: **14 Years**

(21) Appl. No.: **29/417,938**

(22) Filed: **Apr. 10, 2012**

Related U.S. Application Data

(63) Continuation of application No. 29/396,766, filed on
Jul. 6, 2011, now Pat. No. Des. 657,520.

(51) **LOC (9) Cl.** **09-09**

(52) **U.S. Cl.** **D34/6**

(58) **Field of Classification Search** D34/1,
D34/5, 6; 248/95, 97, 99, 100, 101
See application file for complete search history.

(56) **References Cited**

U.S. PATENT DOCUMENTS

2,470,977	A *	5/1949	Chidsey, Jr.	248/97
3,420,483	A *	1/1969	Stalker	248/95
D216,437	S *	1/1970	Vosbikian	D34/6
3,905,406	A *	9/1975	Cruse	141/390
4,267,997	A *	5/1981	Meier	220/491

4,467,989	A *	8/1984	Stroh	248/97
D308,271	S *	5/1990	Vreeken	D34/6
D319,124	S *	8/1991	Harjung	D34/5
D324,748	S *	3/1992	Bagamery	D34/5
5,427,340	A *	6/1995	Stromsmoe et al.	248/97
D389,632	S *	1/1998	Reddin	D34/6
D398,121	S *	9/1998	Siu	D34/6
D428,544	S *	7/2000	Moffitt et al.	D34/5
D657,520	S *	4/2012	Jachim	D34/6

* cited by examiner

Primary Examiner — Cynthia Ramirez

(74) *Attorney, Agent, or Firm* — Smith Patent Office

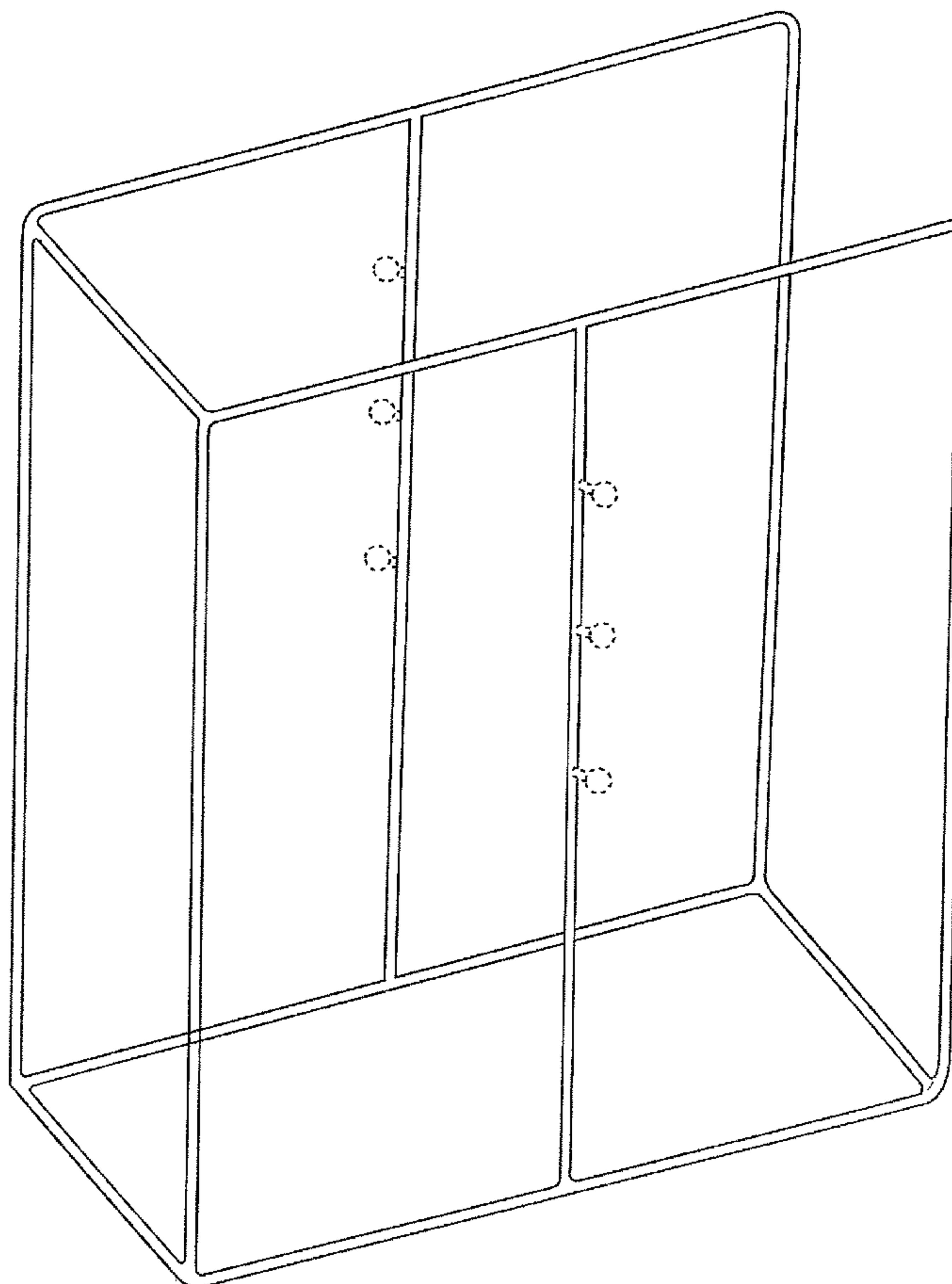
(57) **CLAIM**

The ornamental design for a bag holder, as shown and described.

DESCRIPTION

FIG. 1 is a perspective view of a bag holder;
FIG. 2 is a left side view thereof;
FIG. 3 is a top view thereof;
FIG. 4 is a bottom view thereof;
FIG. 5 is a front view thereof; and,
FIG. 6 is a back side view thereof.
The right side view is a mirror image of the left side view shown in FIG. 3.

1 Claim, 6 Drawing Sheets



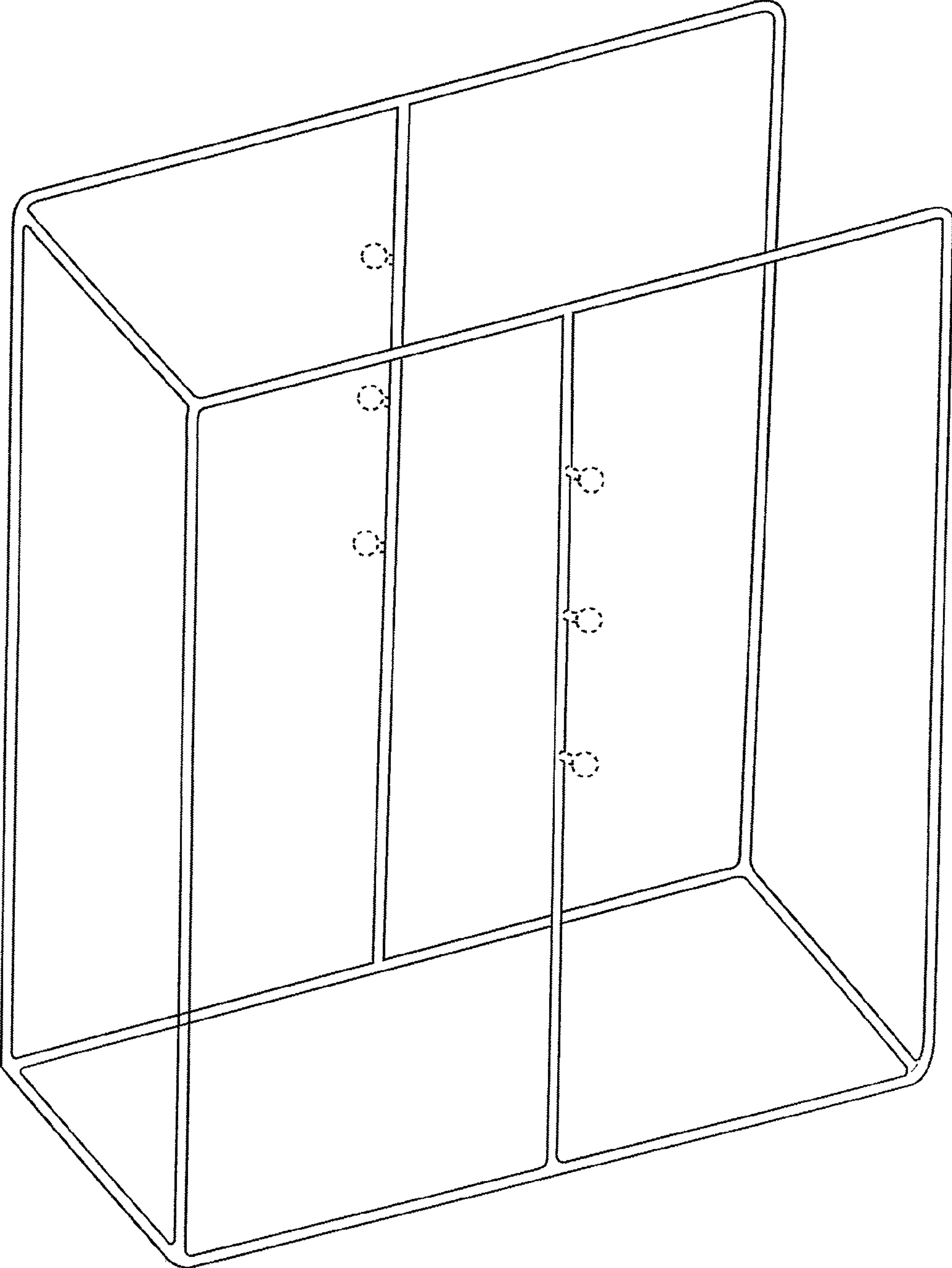


FIG. 1

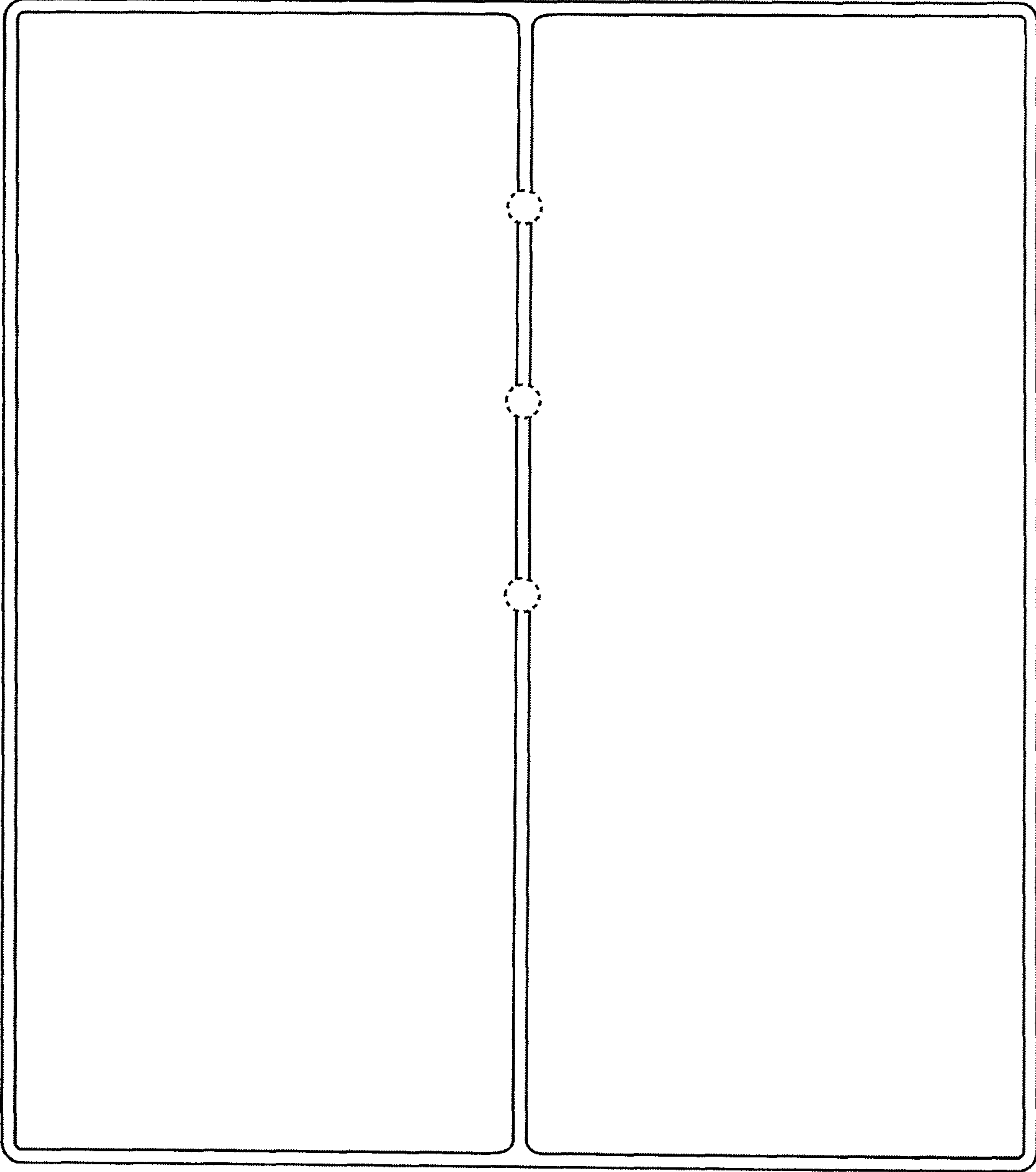


FIG. 2

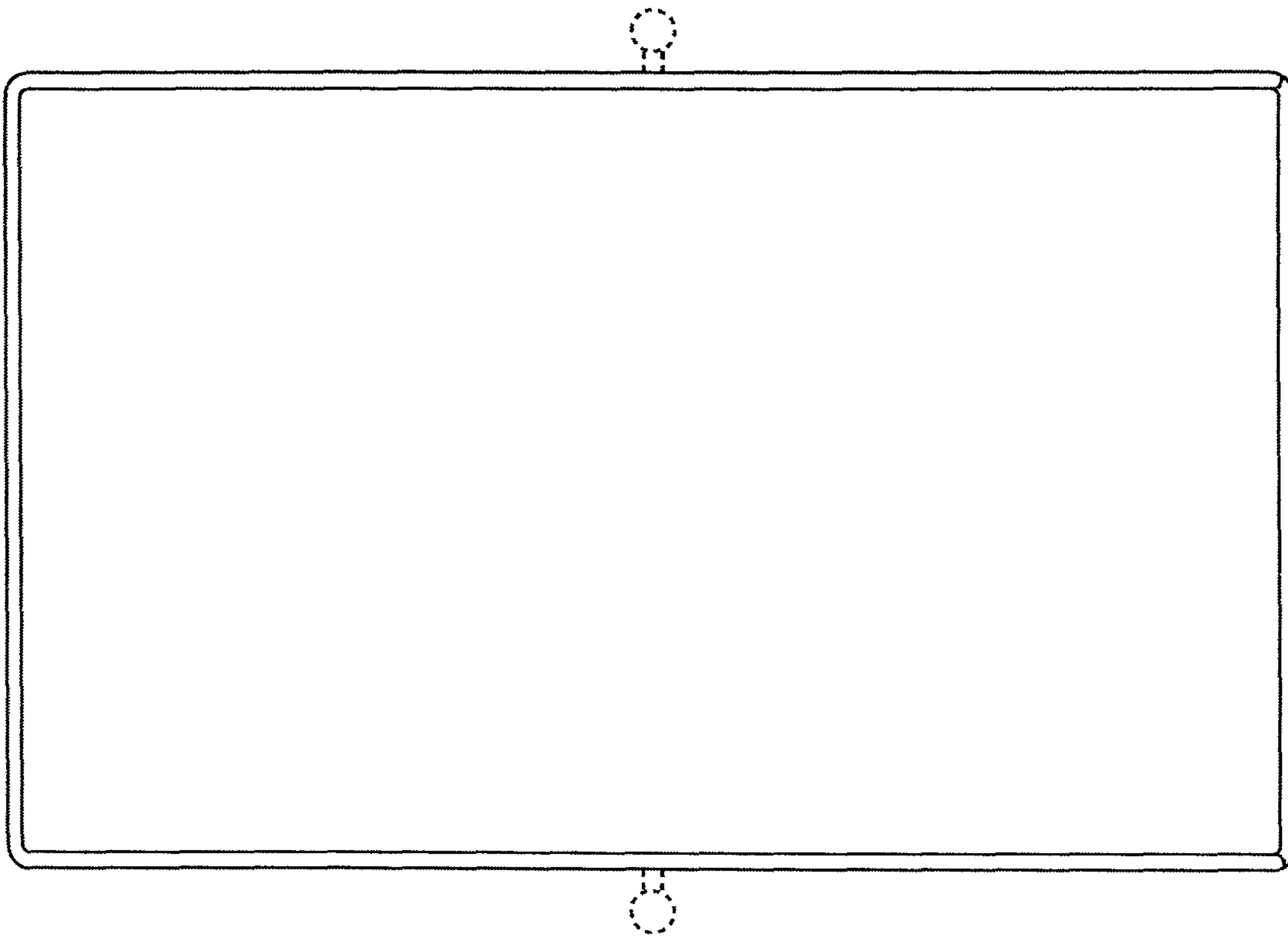


FIG. 3

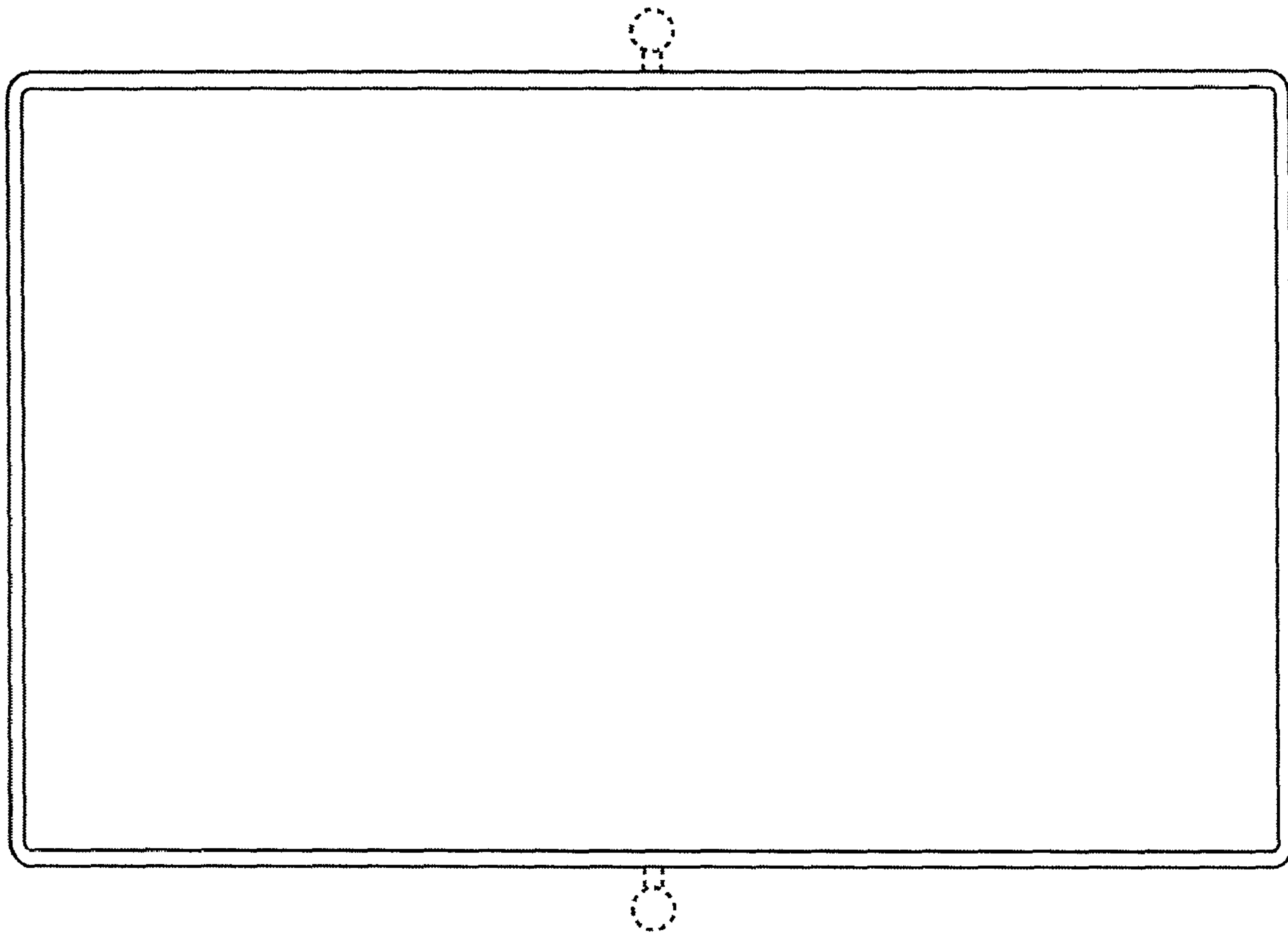


FIG. 4

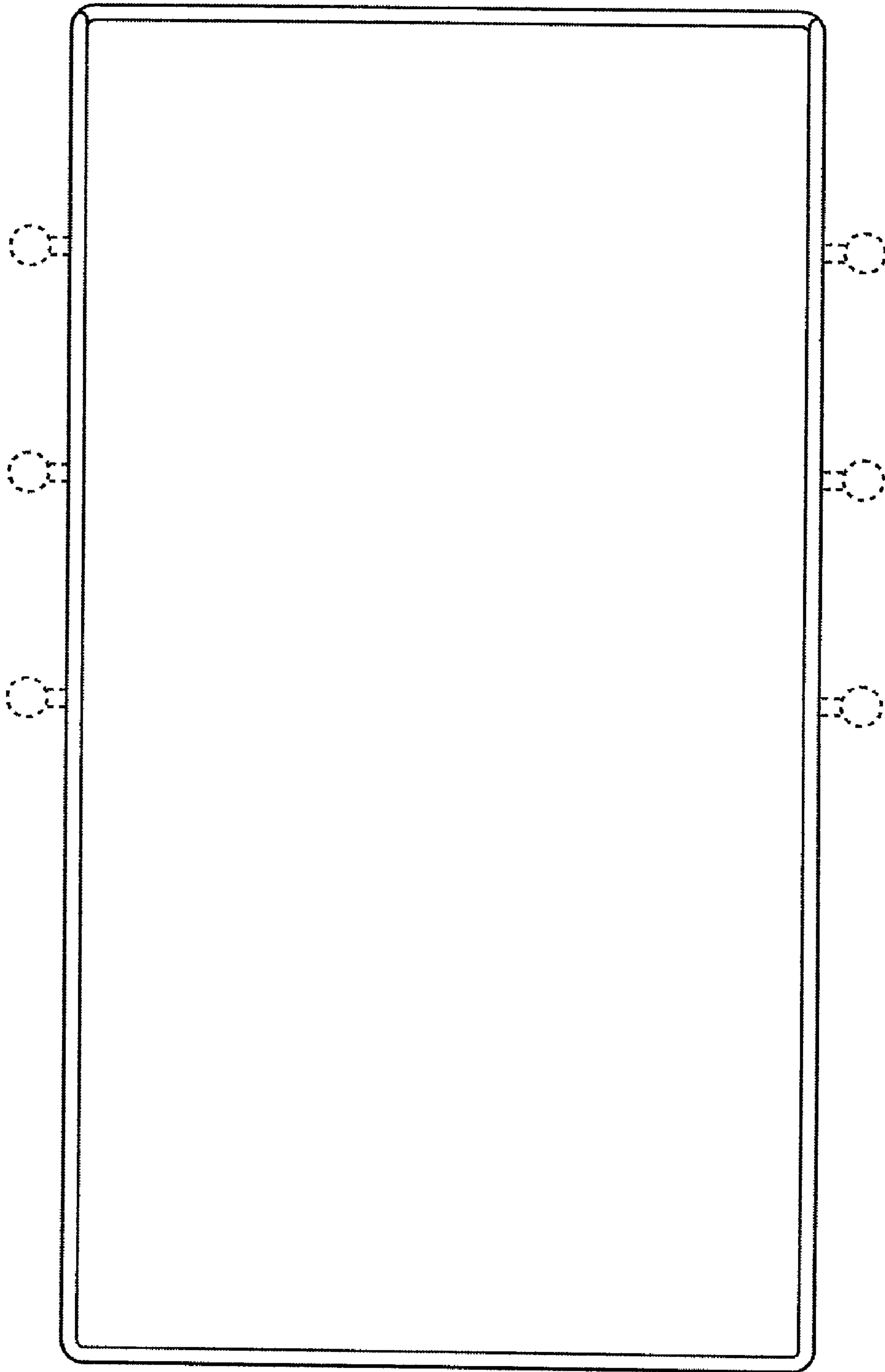


FIG. 5

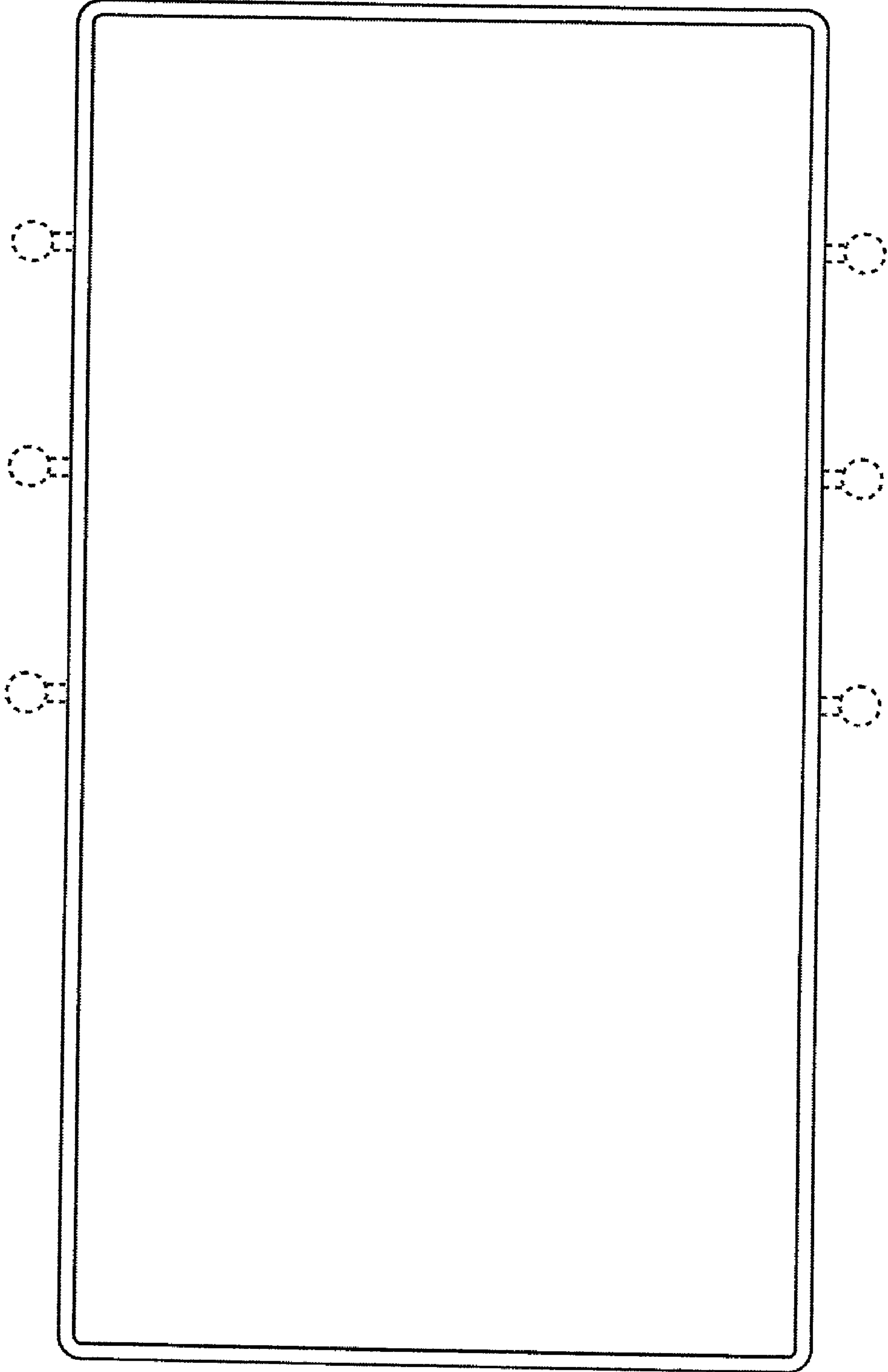


FIG. 6