



US00D668827S

(12) **United States Design Patent**
Best et al.

(10) **Patent No.:** **US D668,827 S**

(45) **Date of Patent:** **** Oct. 9, 2012**

(54) **BASIC APPLICATOR HEAD**

(75) Inventors: **Jim Joseph Best**, Hewitt, NJ (US);
Marco Carroll Perry, Brooklyn, NY (US); **Mark David Prommel**, Brooklyn, NY (US); **Kevin Min O’Leary**, Brooklyn, NY (US); **William Lauchlin Gullede, Jr.**, Leawood, KS (US); **William Daniel Richardson**, Greenwood, MO (US); **Chad Edward Brott**, Greenwood, MO (US); **B. Deré Newman**, Lone Jack, MO (US); **Melodie Lea Wendleton**, Lee’s Summit, MO (US); **Benjamin A. Shobert**, Indianapolis, IN (US); **Richard S. Dale**, Honeoye Falls, NY (US); **Todd Brunner**, Brooklyn, NY (US)

(73) Assignee: **Specialty Products of Greenwood, Missouri, Inc.**, Greenwood, MO (US)

(**) Term: **14 Years**

(21) Appl. No.: **29/359,629**

(22) Filed: **Apr. 13, 2010**

(51) **LOC (9) Cl.** **04-01**

(52) **U.S. Cl.** **D32/50**

(58) **Field of Classification Search** D32/40-45,
D32/50-52; 15/118, 244.1, 244.2, 244.3,
15/244.4, 116.1, 116.2, 119.1, 119.2, 104.9,
15/228, 229.2, 229.4; 401/135-140

See application file for complete search history.

(56) **References Cited**

U.S. PATENT DOCUMENTS

3,099,855 A * 8/1963 Nash 15/231

(Continued)

Primary Examiner — John Windmuller

(74) *Attorney, Agent, or Firm* — Hovey Williams LLP

(57) **CLAIM**

The ornamental design for a basic applicator head, as shown and described.

DESCRIPTION

FIG. 1 is a top perspective view of a basic applicator head embodying our design;

FIG. 2 is a bottom perspective view of the basic applicator head depicted in FIG. 1;

FIG. 3 is a front elevation view of the basic applicator head depicted in FIGS. 1 and 2;

FIG. 4 is a side elevation view of the basic applicator head depicted in FIGS. 1-3, with the opposite side elevation view being a mirror image thereof;

FIG. 5 is a rear elevation view of the basic applicator head shown in FIGS. 1-4;

FIG. 6 is a top elevation view of the basic applicator head shown in FIGS. 1-5;

FIG. 7 is a bottom elevation view of the basic applicator head depicted in FIGS. 1-6;

FIG. 8 is a perspective view of the basic applicator head similar to FIG. 1, but with the material application pad being removed;

FIG. 9 is a bottom perspective view of the basic applicator head as depicted in FIG. 8;

FIG. 10 is a front elevation view of the basic applicator head as depicted in FIGS. 8 and 9;

FIG. 11 is a side elevation view of the basic applicator head as depicted in FIGS. 8-10, with the opposite side elevation view being a mirror image thereof;

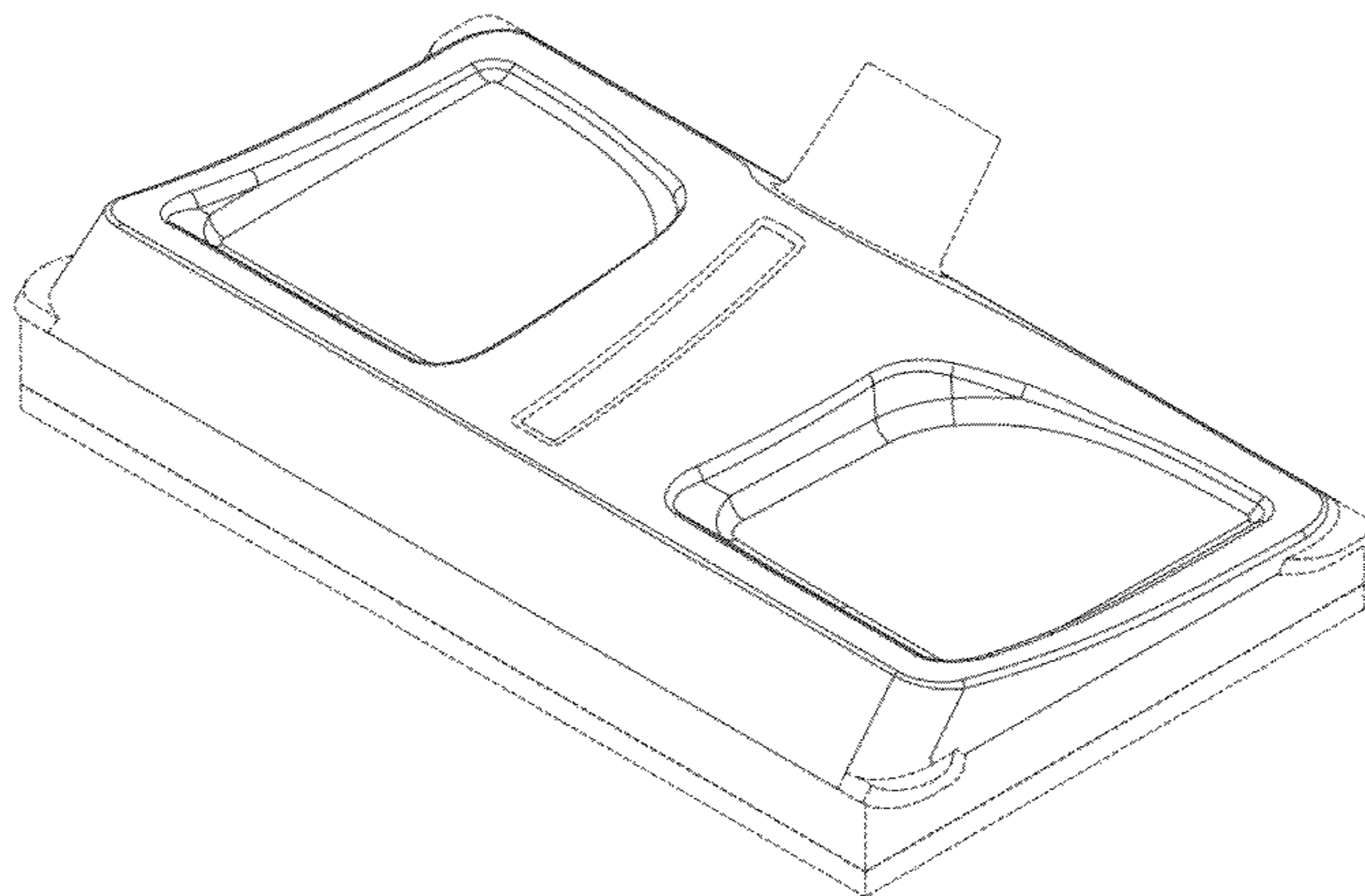
FIG. 12 is a rear elevation view of the basic applicator head as shown in FIGS. 8-11;

FIG. 13 is a top elevation view of the basic applicator head as shown in FIGS. 8-12; and,

FIG. 14 is a bottom elevation view of the basic applicator head as depicted in FIGS. 8-13.

The broken lines showing the material application pad, the center recessed area on the top of the applicator body, the pole coupler, the corner spacing-guides, the hook fastener areas for connecting the pad to the bottom of the applicator body, and the other structural details along the bottom of the applicator body are for environmental purposes only and form no part of the claimed design.

1 Claim, 12 Drawing Sheets



US D668,827 S

U.S. PATENT DOCUMENTS

D202,876 S	11/1965	Newman		D459,587 S	7/2002	Newman et al.	
D294,415 S *	2/1988	Jones	D32/44	6,453,777 B1	9/2002	Newman et al.	
D307,963 S	5/1990	Newman, Sr. et al.		6,497,007 B2	12/2002	Newman et al.	
4,993,101 A	2/1991	Newman, Sr. et al.		6,519,800 B2	2/2003	Newman et al.	
D331,650 S	12/1992	Newman, Sr.		6,530,124 B2	3/2003	Newman et al.	
5,220,707 A	6/1993	Newman, Sr. et al.		6,532,630 B1	3/2003	Newman et al.	
5,267,369 A	12/1993	O'Neil et al.		6,553,628 B2	4/2003	Newman et al.	
5,293,662 A	3/1994	Newman, Sr. et al.		D482,202 S	11/2003	Newman et al.	
5,316,264 A	5/1994	Newman, Sr. et al.		6,681,438 B2	1/2004	Newman et al.	
D351,015 S	9/1994	Caceres et al.		D493,928 S *	8/2004	Chemtob	D32/44
5,348,409 A	9/1994	Newman, Sr. et al.		6,779,235 B2	8/2004	Newman et al.	
D354,554 S	1/1995	Newman, Sr. et al.		D515,759 S *	2/2006	Fischer	D32/45
5,385,420 A	1/1995	Newman, Sr. et al.		D519,820 S	5/2006	Newman et al.	
5,432,972 A	7/1995	Polzin et al.		7,066,511 B2	6/2006	Newman et al.	
5,460,458 A	10/1995	Caceres		D538,133 S	3/2007	Richardson et al.	
5,579,558 A	12/1996	Newman, Jr. et al.		7,237,305 B2	7/2007	Newman et al.	
5,682,641 A	11/1997	Newman, Jr. et al.		D585,612 S *	1/2009	Soller et al.	D32/50
5,692,856 A	12/1997	Newman, Jr. et al.		D597,269 S *	7/2009	McNeil et al.	D32/45
5,822,823 A	10/1998	Polzin et al.		D597,718 S *	8/2009	McNeil et al.	D32/45
5,960,508 A *	10/1999	Holt et al.	15/228	D609,920 S *	2/2010	Lee	D4/138
6,151,747 A	11/2000	Newman et al.		D613,013 S *	3/2010	Renner	D32/51
6,272,715 B1	8/2001	Polzin et al.		D615,260 S *	5/2010	Koenig	D32/45
D447,874 S	9/2001	Newman et al.		D644,386 S *	8/2011	Tawara et al.	D32/51
D452,777 S	1/2002	Newman et al.		2004/0158949 A1	8/2004	Booth et al.	
6,349,451 B1	2/2002	Newman et al.		2006/0147256 A1	7/2006	Richardson et al.	
D457,003 S	5/2002	Newman et al.		2006/0230581 A1	10/2006	Richardson et al.	

* cited by examiner

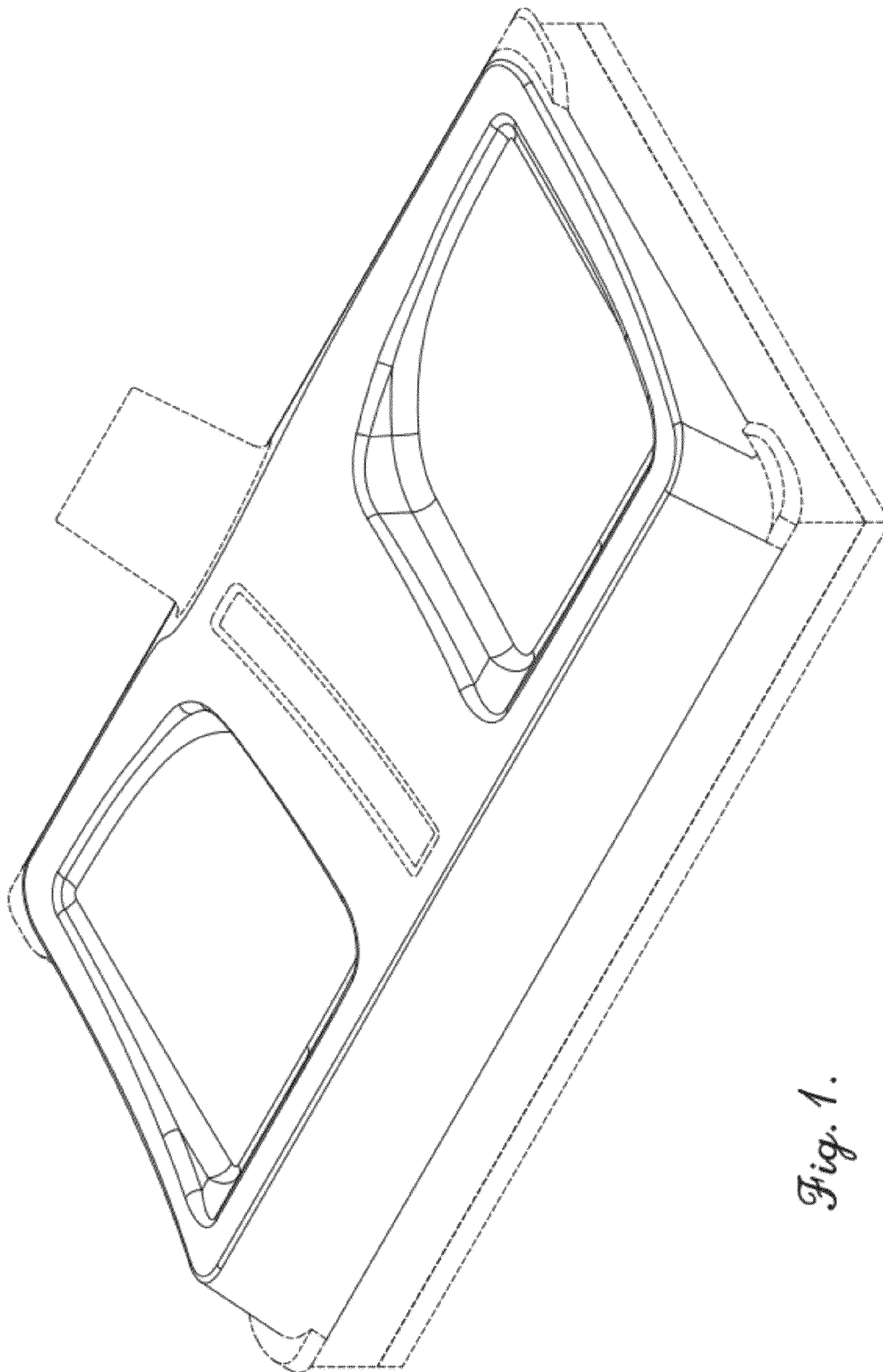


Fig. 1.

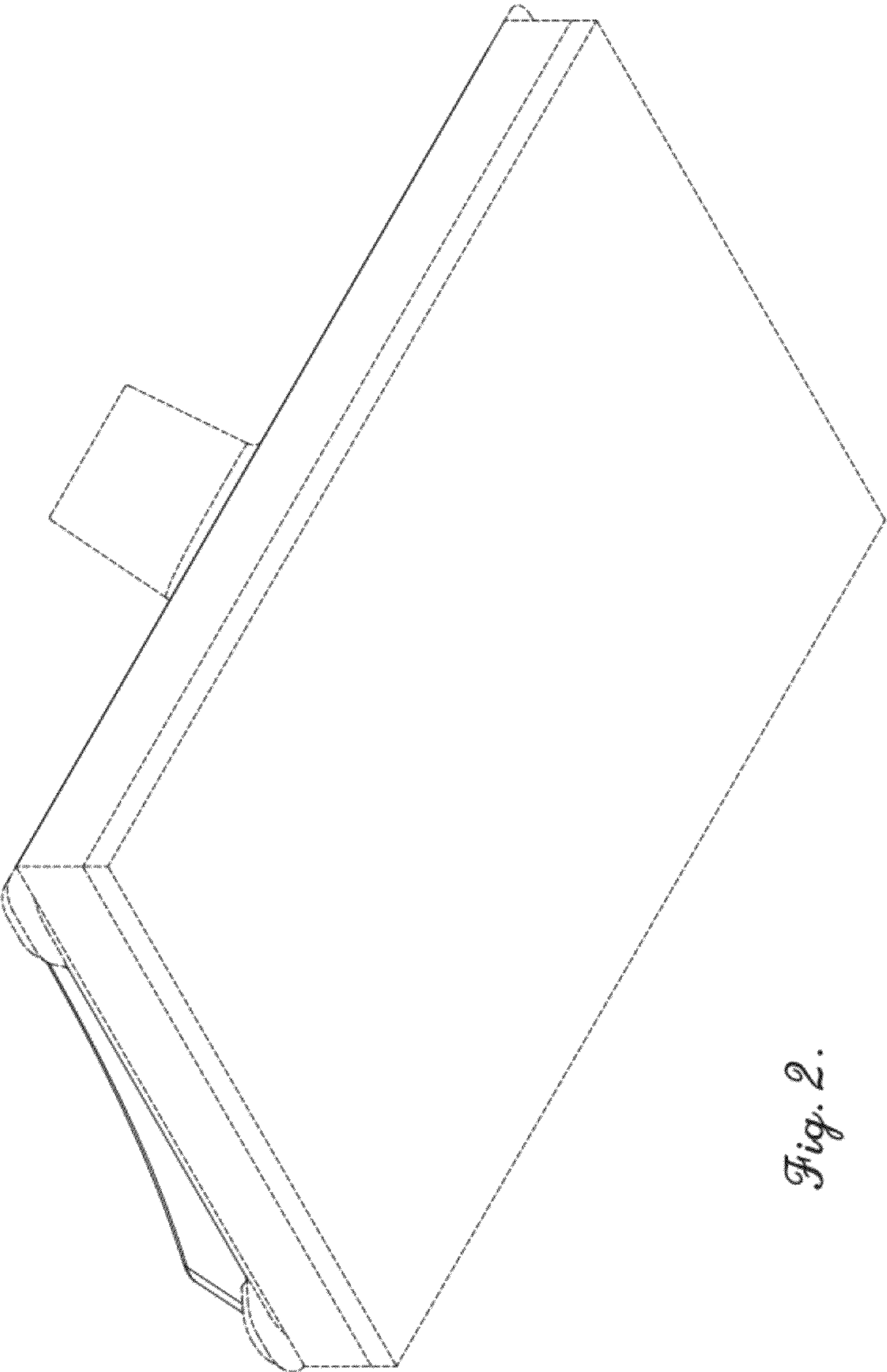


Fig. 2.

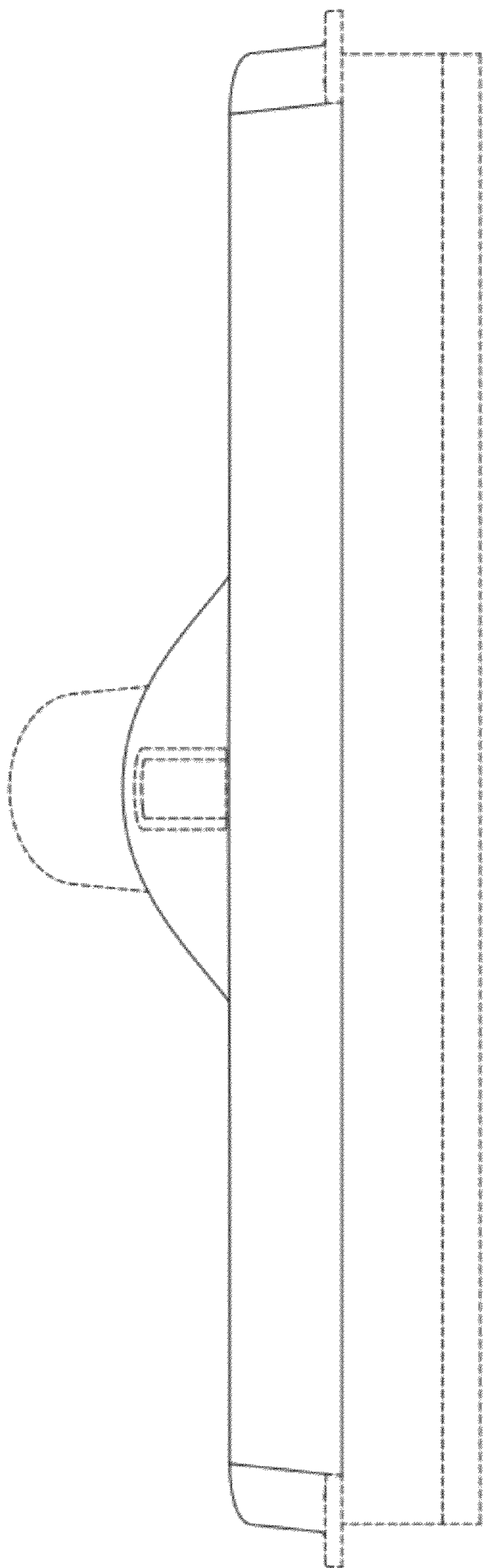


Fig. 3.

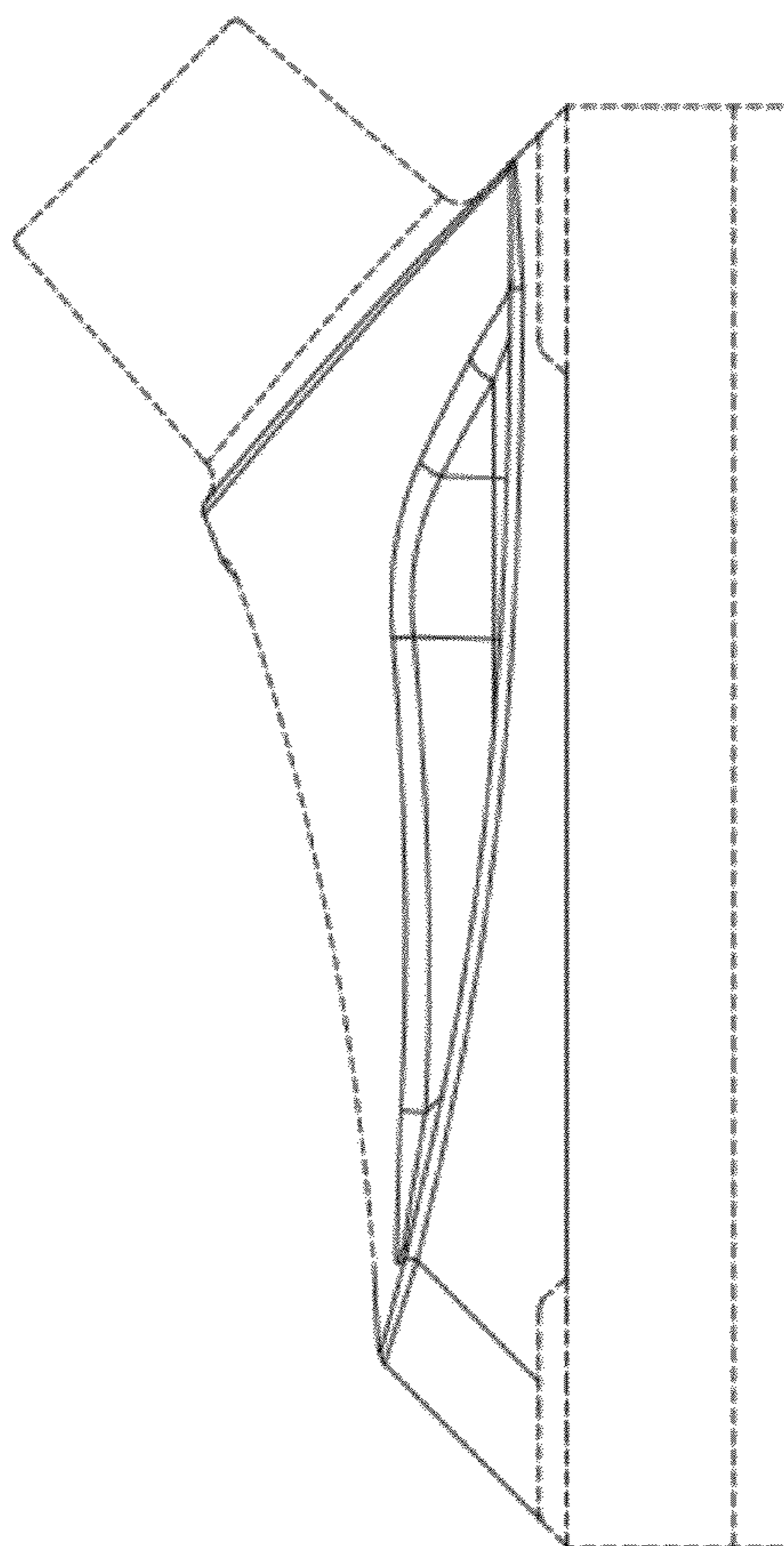


Fig. 4.

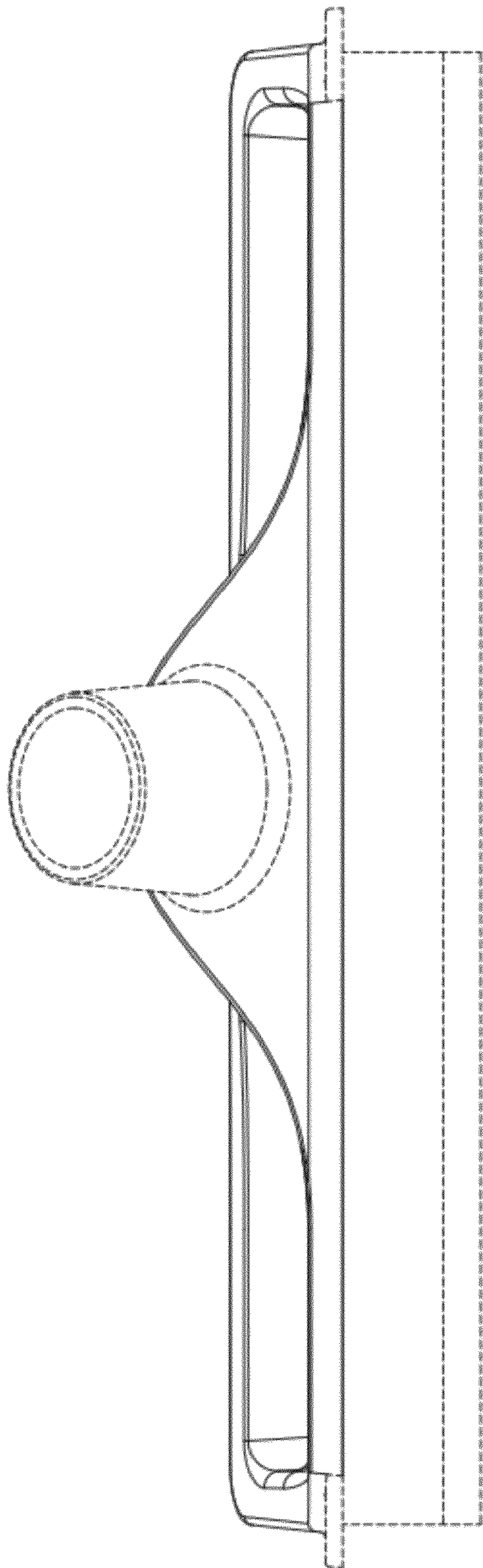


Fig. 5.

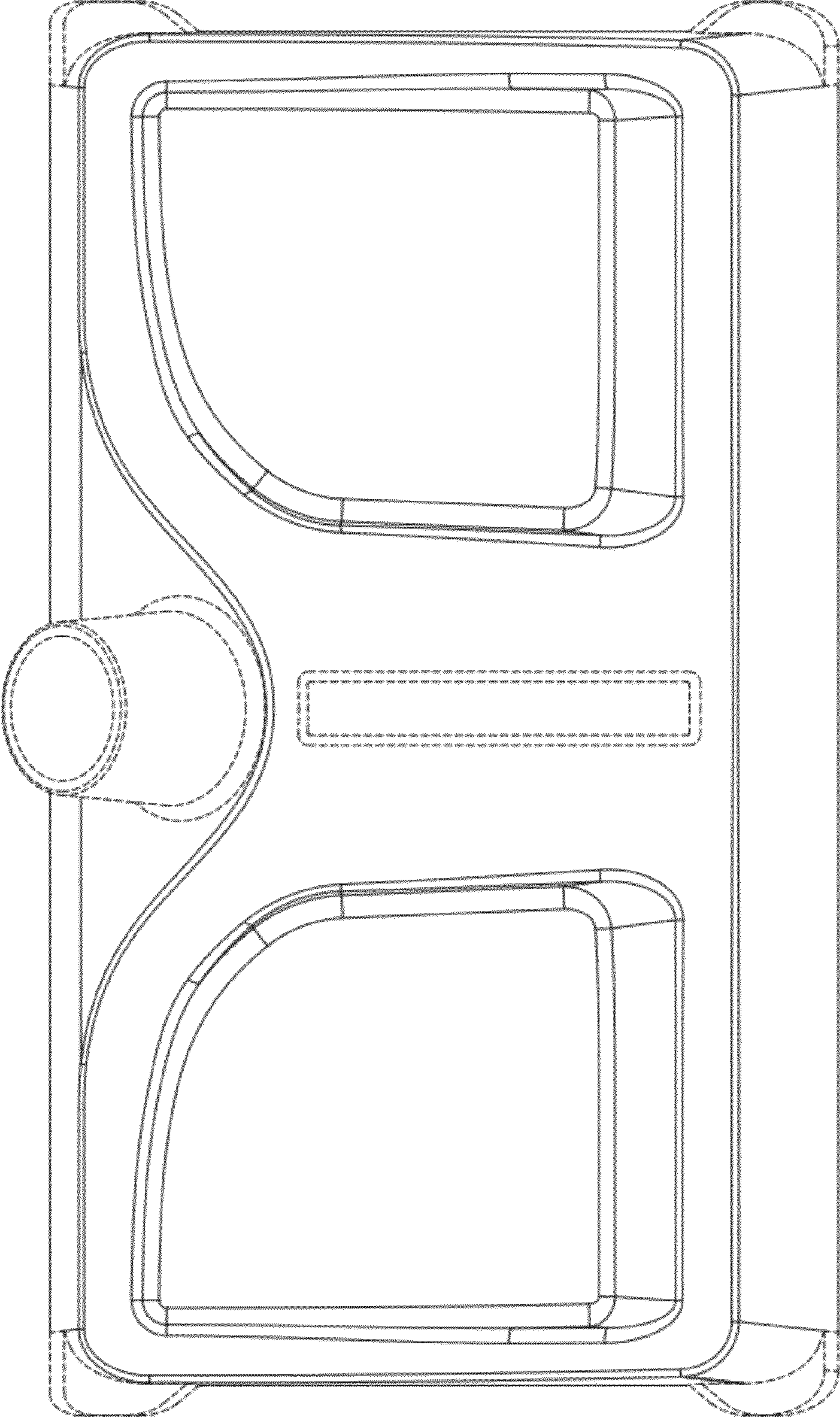


Fig. 6.

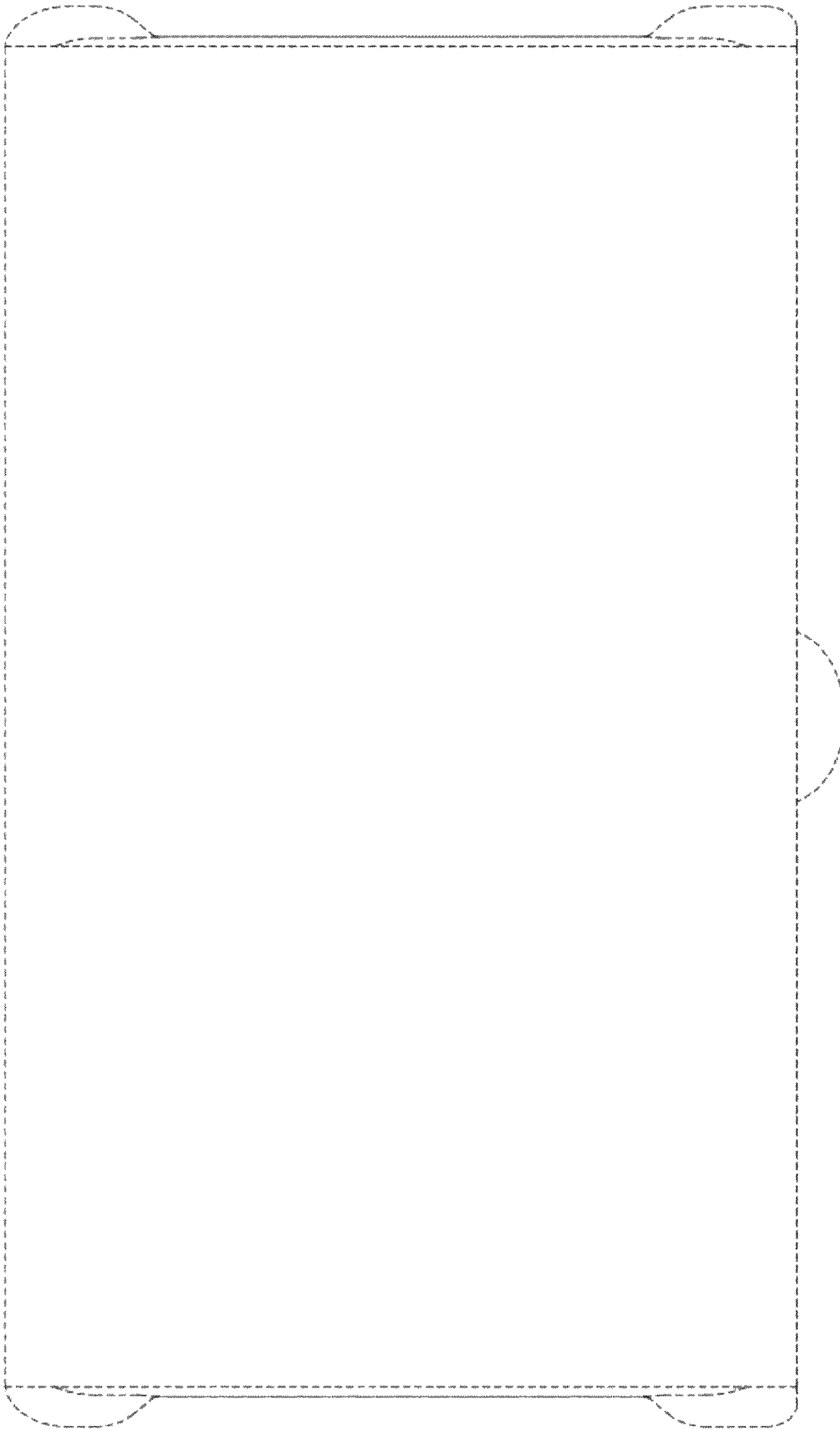


Fig. 7.

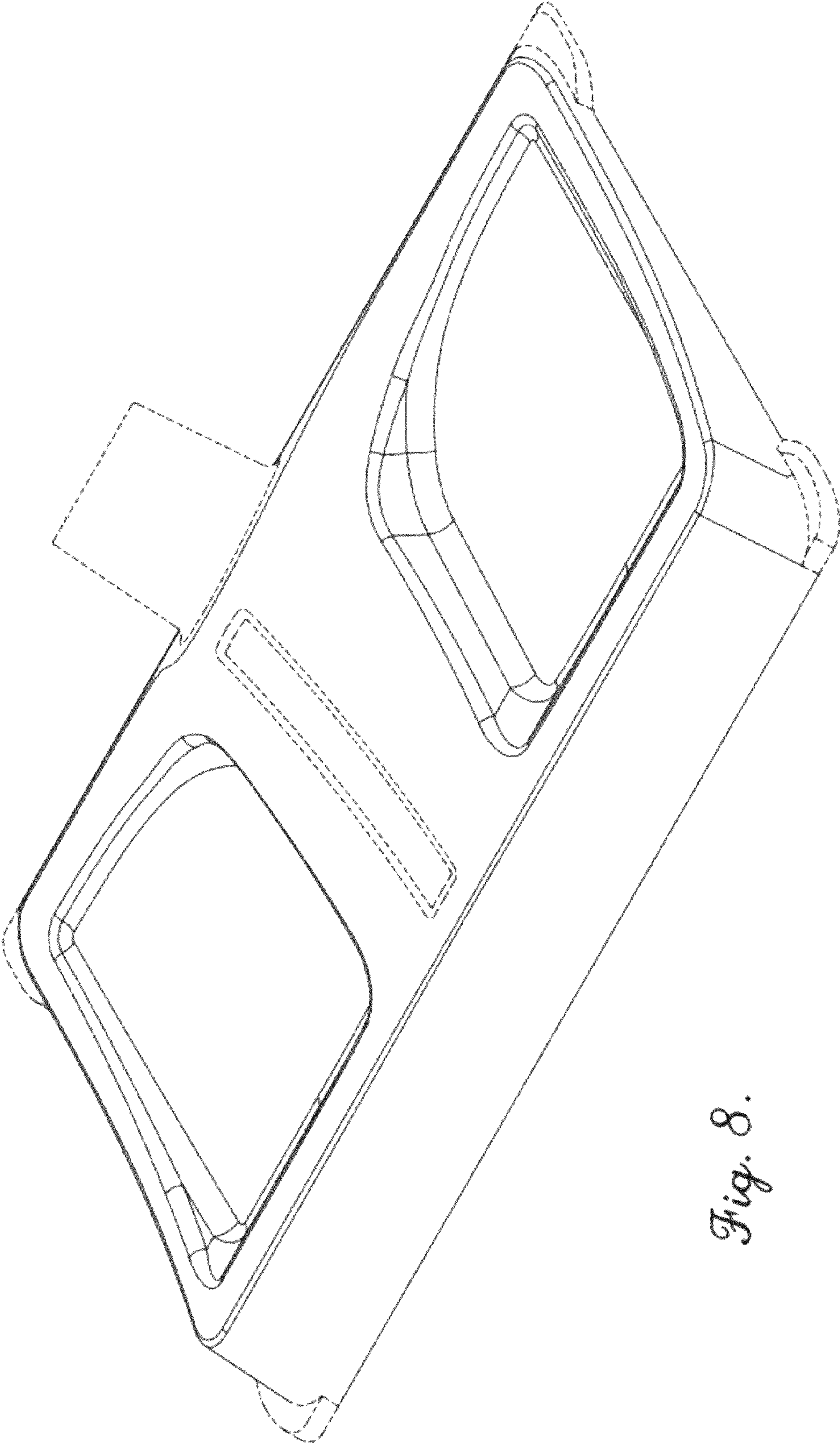


Fig. 8.

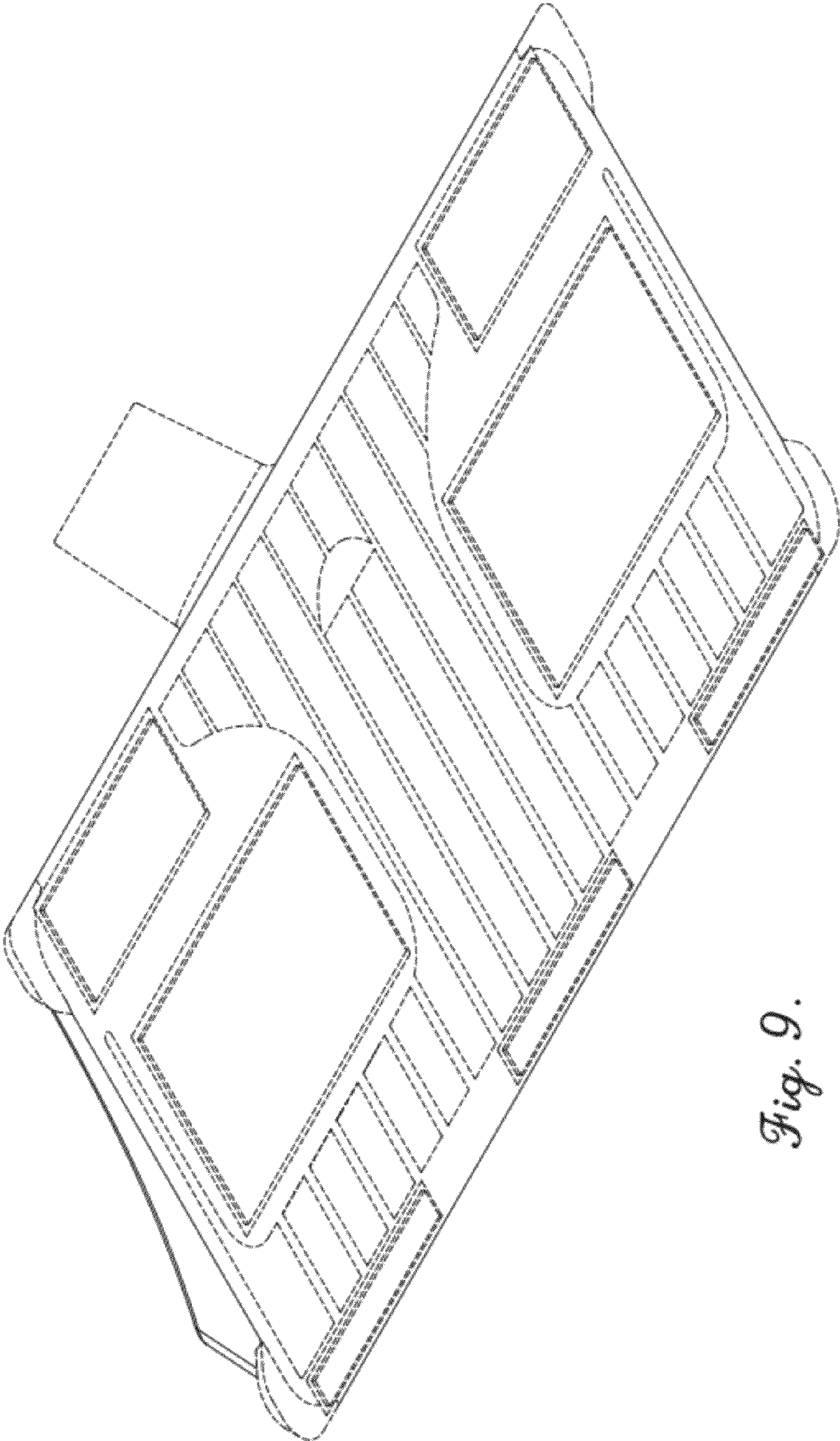


Fig. 9.

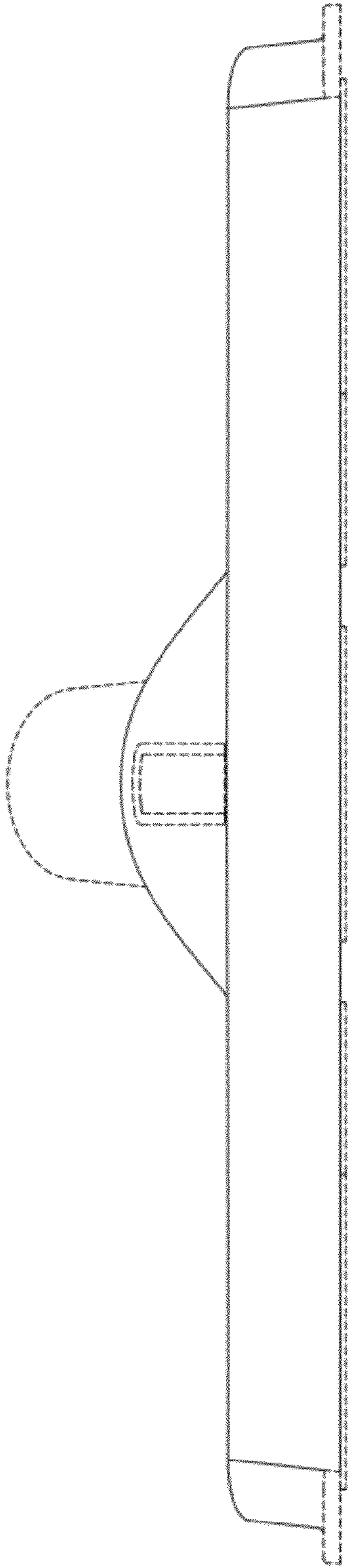


Fig. 10.

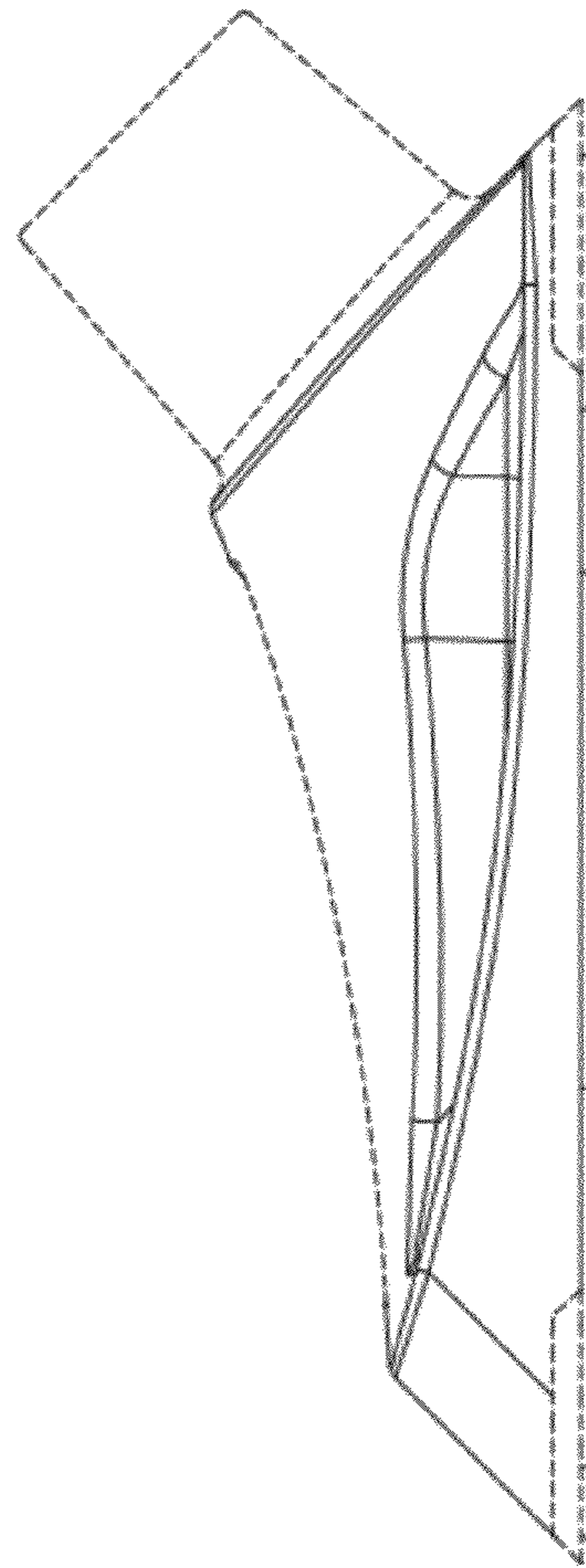


Fig. 11.

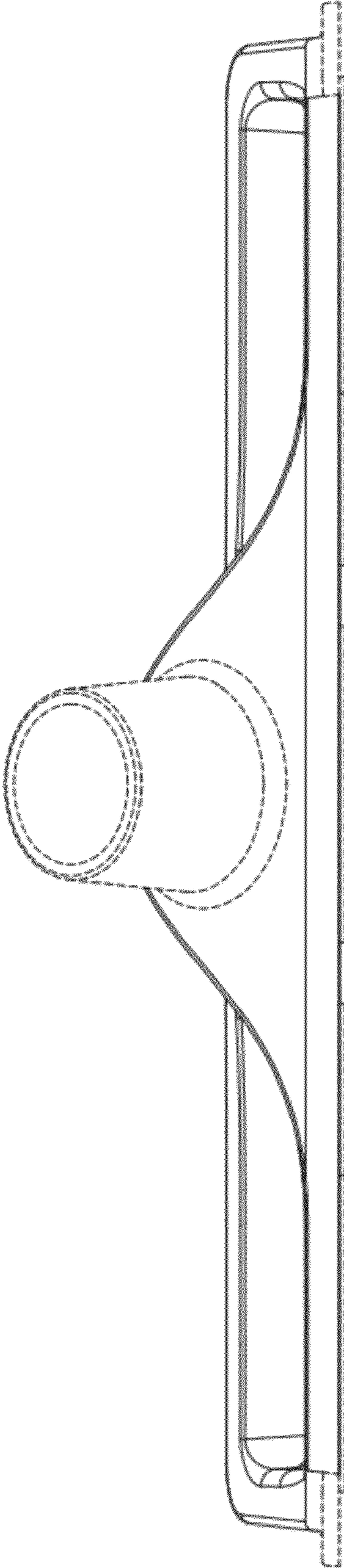


Fig. 12.

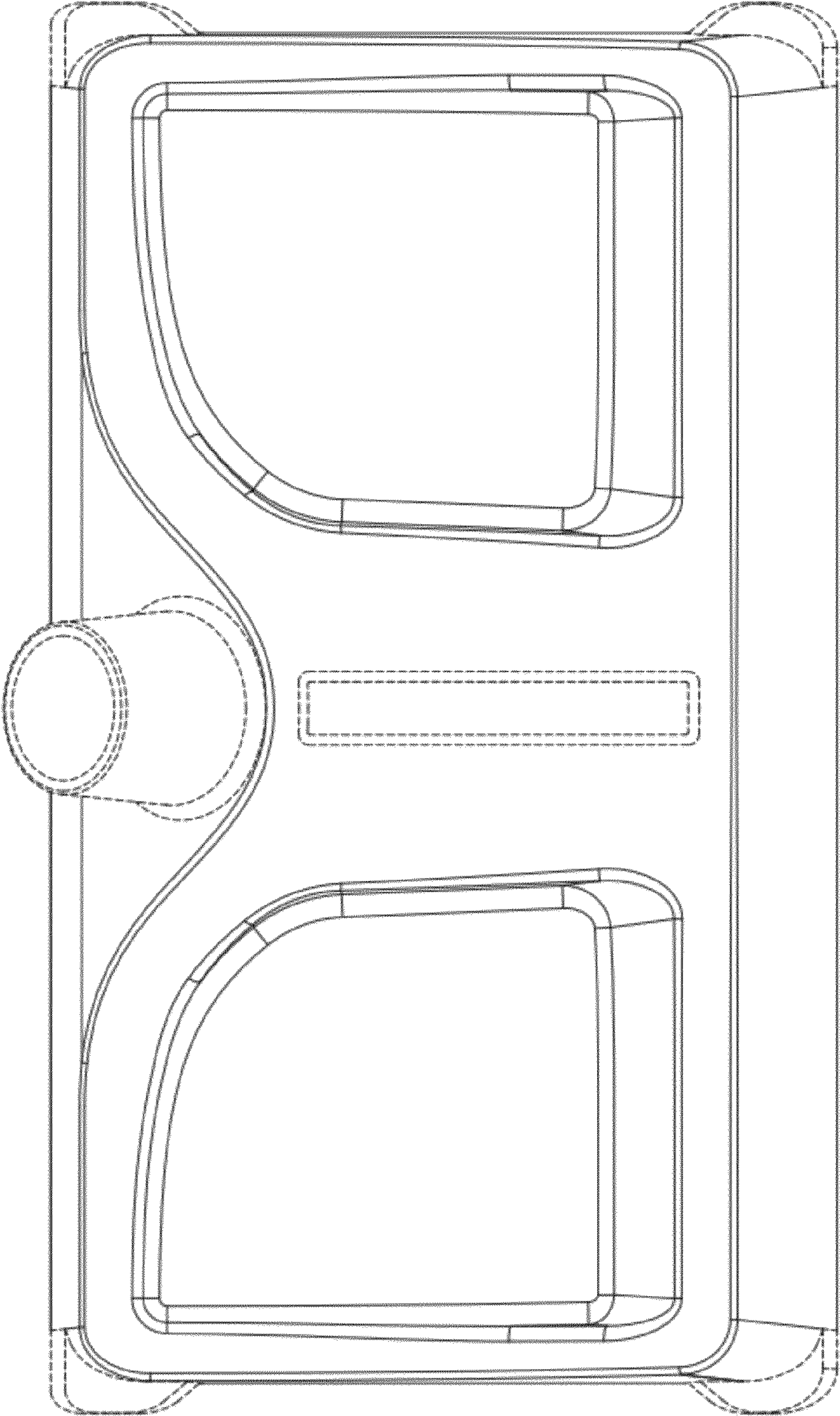


Fig. 13.

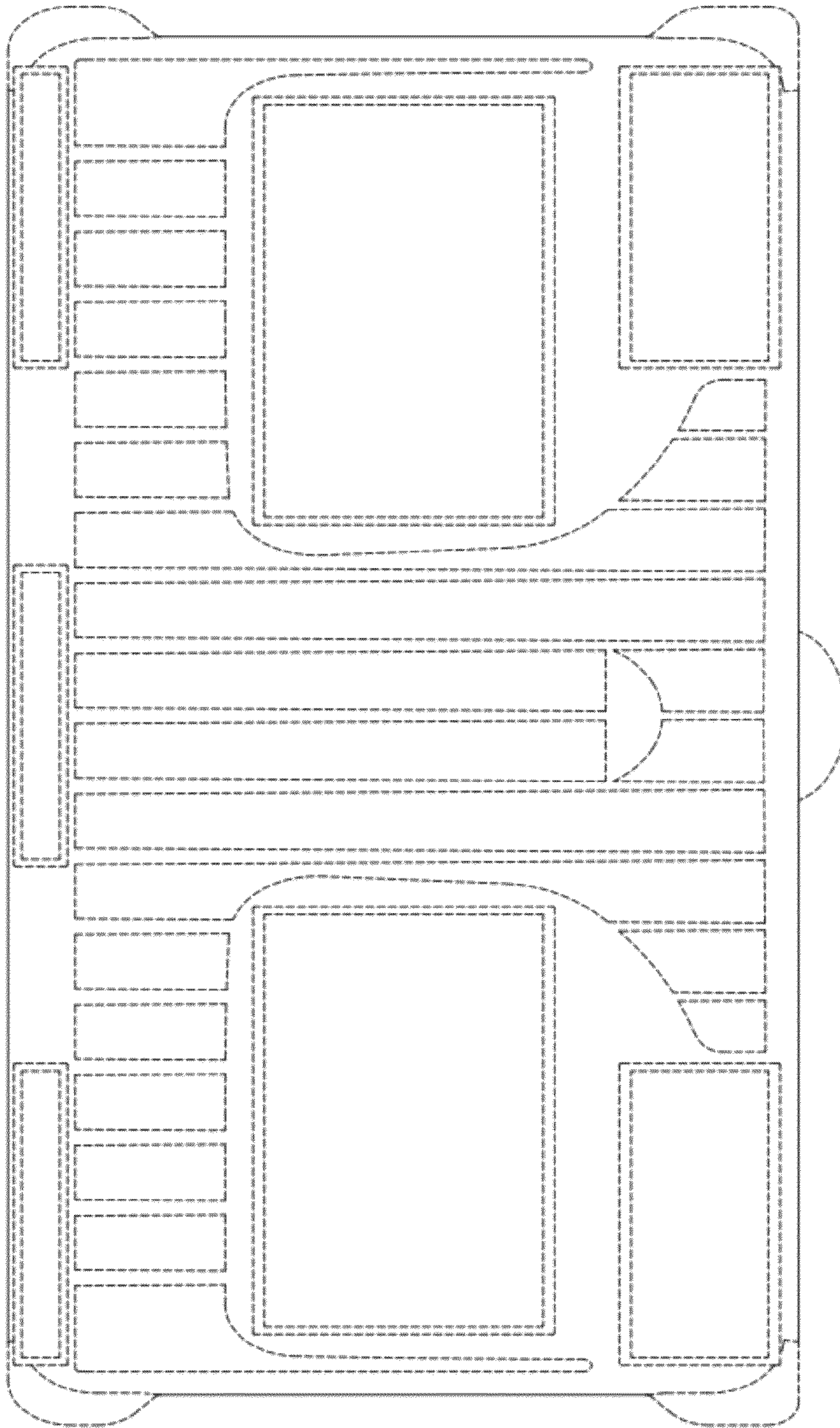


Fig. 14.