



US00D668825S

(12) **United States Design Patent**
Cho et al.

(10) **Patent No.:** **US D668,825 S**
(45) **Date of Patent:** **** Oct. 9, 2012**

- (54) **VACUUM CLEANER**
- (75) Inventors: **Chul-yong Cho**, Seoul (KR); **Min Hyoug Boo**, Seoul (KR)
- (73) Assignee: **Samsung Electronics Co., Ltd.**, Suwon-si (KR)
- (**) Term: **14 Years**
- (21) Appl. No.: **29/383,602**
- (22) Filed: **Jan. 20, 2011**
- (51) **LOC (9) Cl.** **15-05**
- (52) **U.S. Cl.** **D32/21**
- (58) **Field of Classification Search** D32/21, D32/23-24, 30-31; 15/327.1-327, 7, 328, 15/340.1, 340.2, 353, 347, 301, 336, 320, 15/314, 352, 412; 55/447, 337, 345, DIG. 3
See application file for complete search history.

D506,856 S *	6/2005	Schroter	D32/21
D520,198 S *	5/2006	Sung	D32/21
D523,194 S *	6/2006	Choi	D32/21
D539,492 S *	3/2007	Konno	D32/21
D553,811 S *	10/2007	Shin	D32/21
D556,398 S *	11/2007	Shin	D32/21
D556,399 S *	11/2007	Shin	D32/21
D582,109 S *	12/2008	Kim et al.	D32/21
D616,619 S *	5/2010	Schroeter	D32/21

* cited by examiner

Primary Examiner — Ruth McInroy

(74) *Attorney, Agent, or Firm* — Ladas & Parry LLP

(57) **CLAIM**

We claim the ornamental design for a vacuum cleaner, as shown and described.

DESCRIPTION

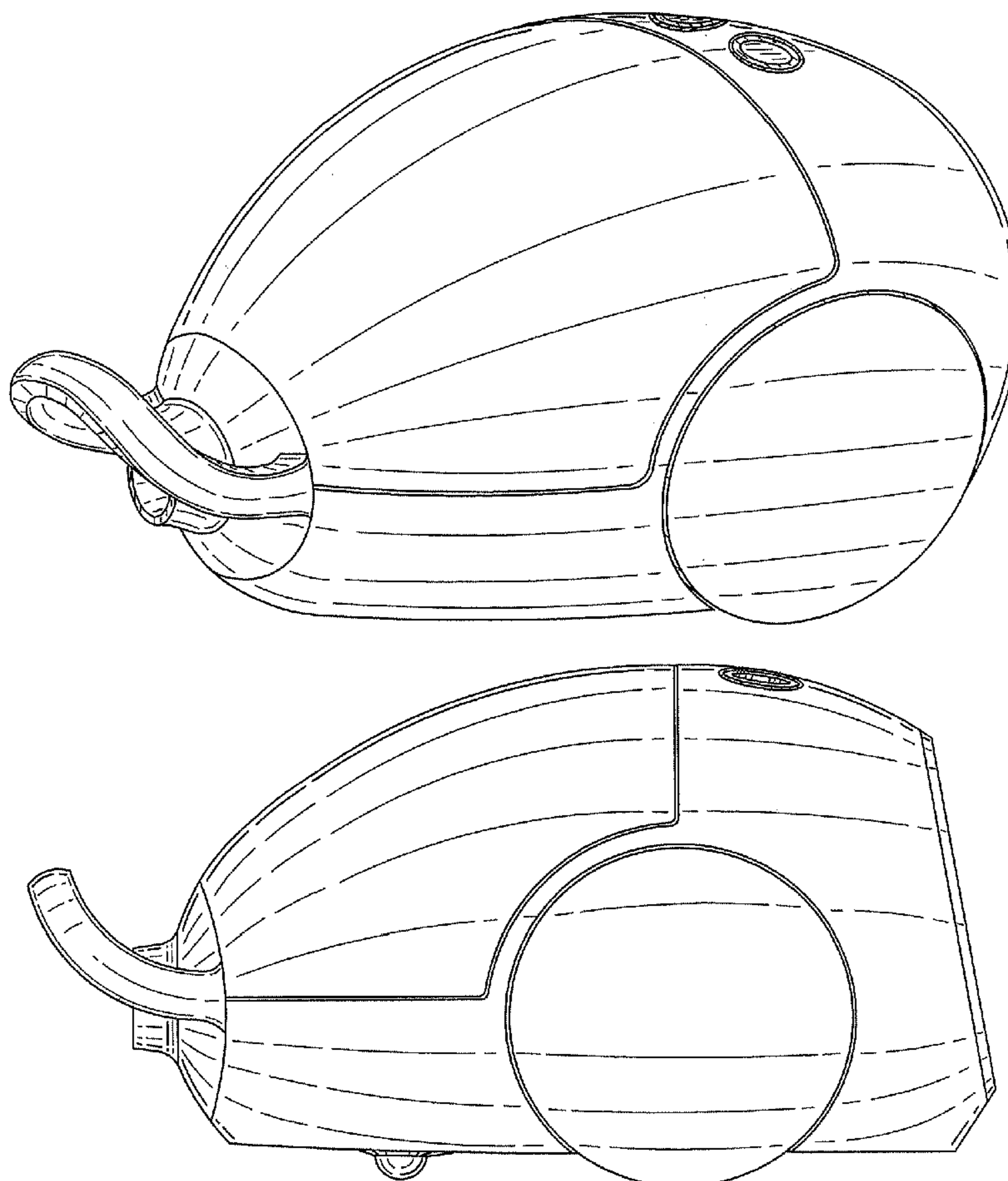
FIG. 1 is a top, front and right-side perspective view of a vacuum cleaner showing our new design; FIG. 2 is a front elevational view thereof; FIG. 3 is a rear elevational view thereof; FIG. 4 is a left-side elevational view thereof; FIG. 5 is a right-side elevational view thereof; and, FIG. 6 is a top plan view thereof.

1 Claim, 4 Drawing Sheets

(56) **References Cited**

U.S. PATENT DOCUMENTS

D394,528 S *	5/1998	Pochopien et al.	D32/21
D399,617 S *	10/1998	Fujita	D32/21
D417,046 S *	11/1999	Tsuruha et al.	D32/21



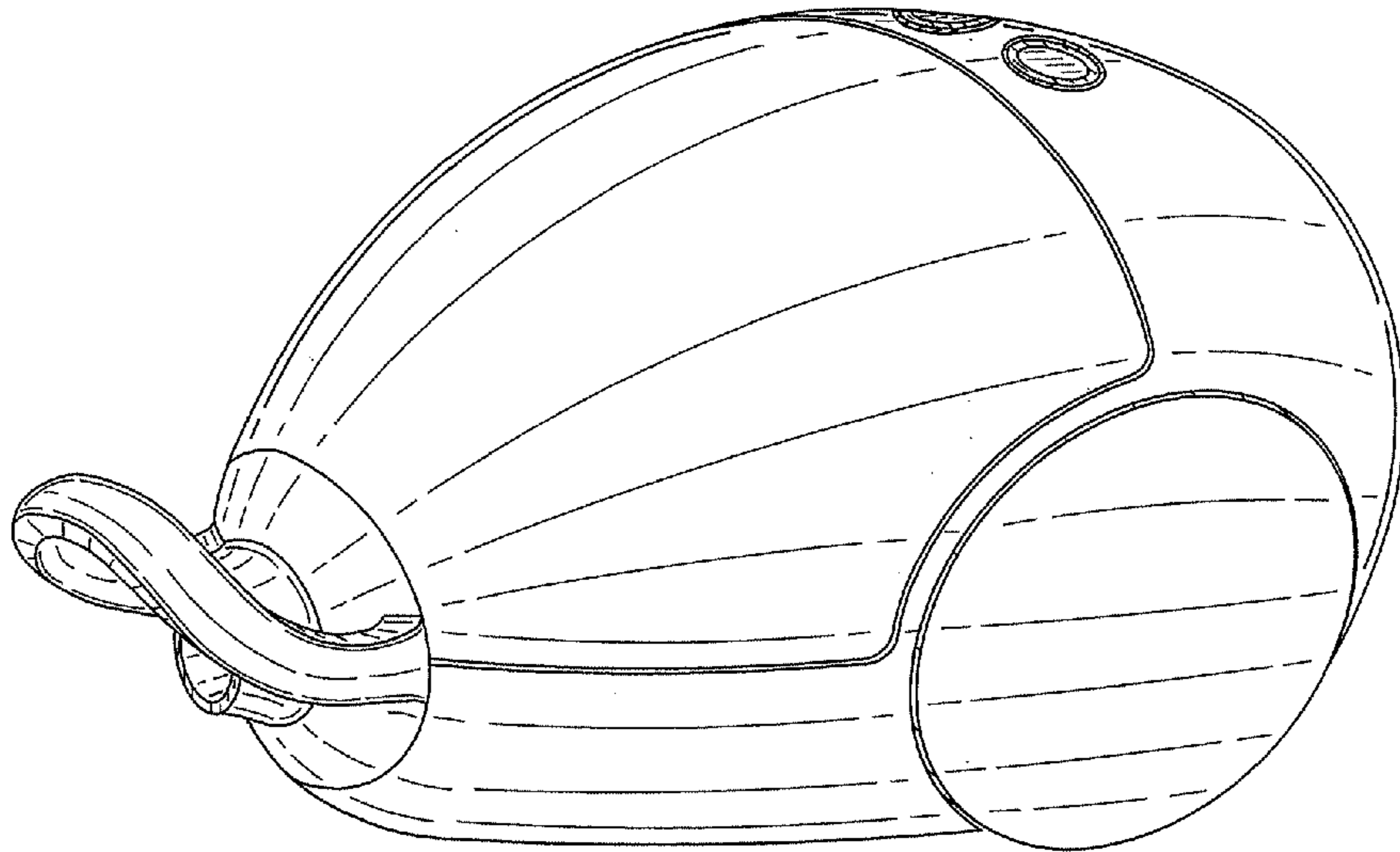


FIG. 1

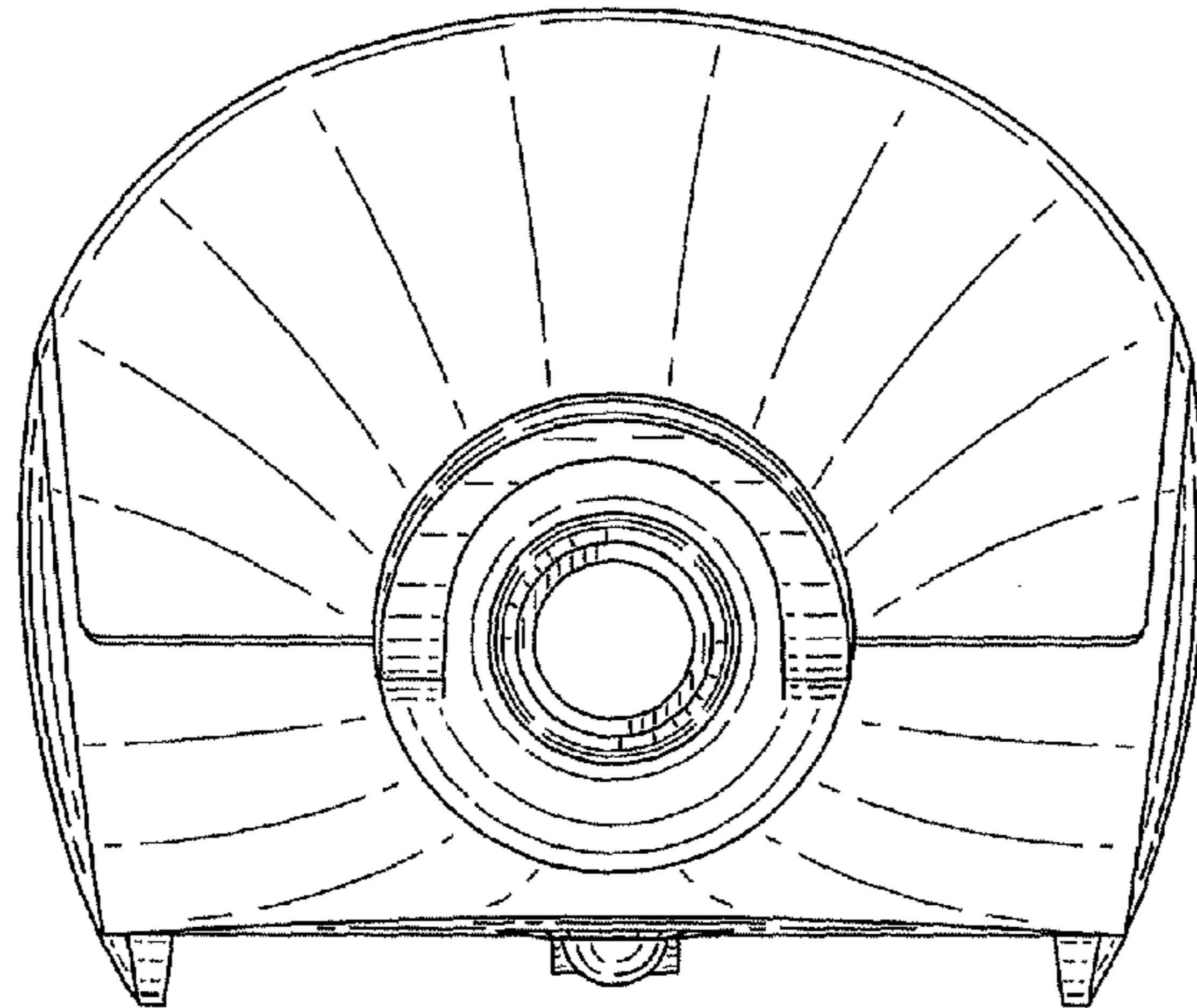


FIG. 2

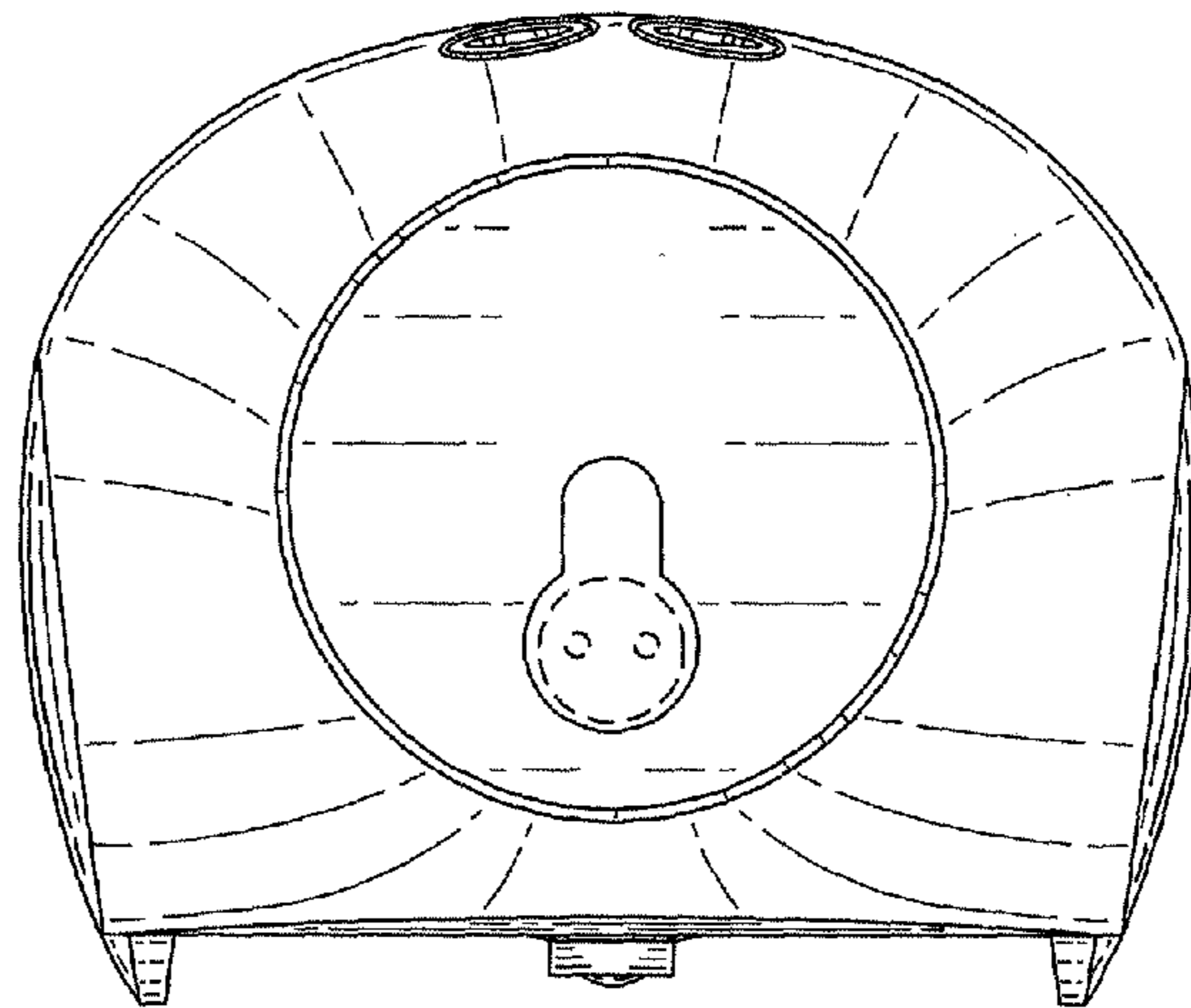


FIG. 3

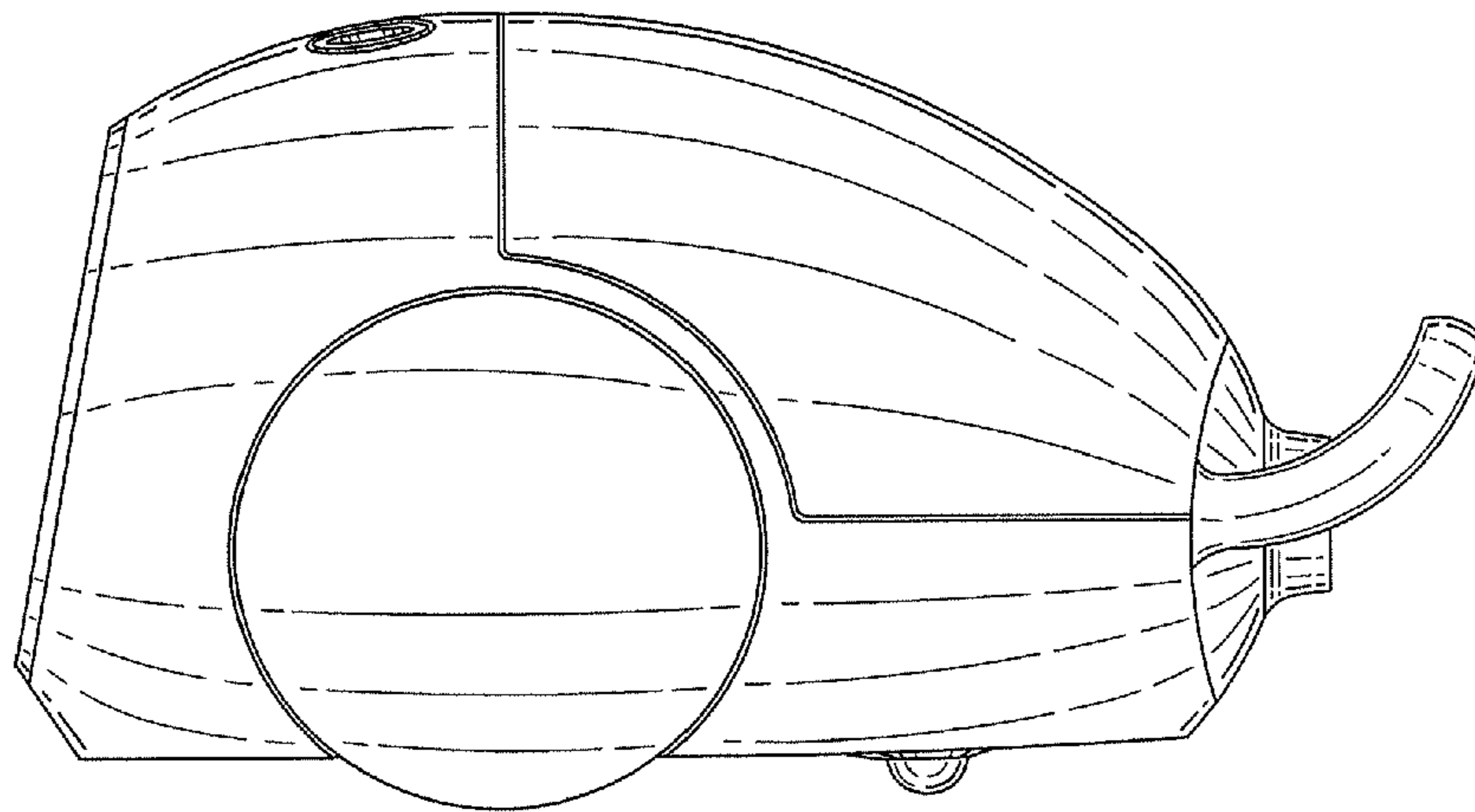


FIG. 4

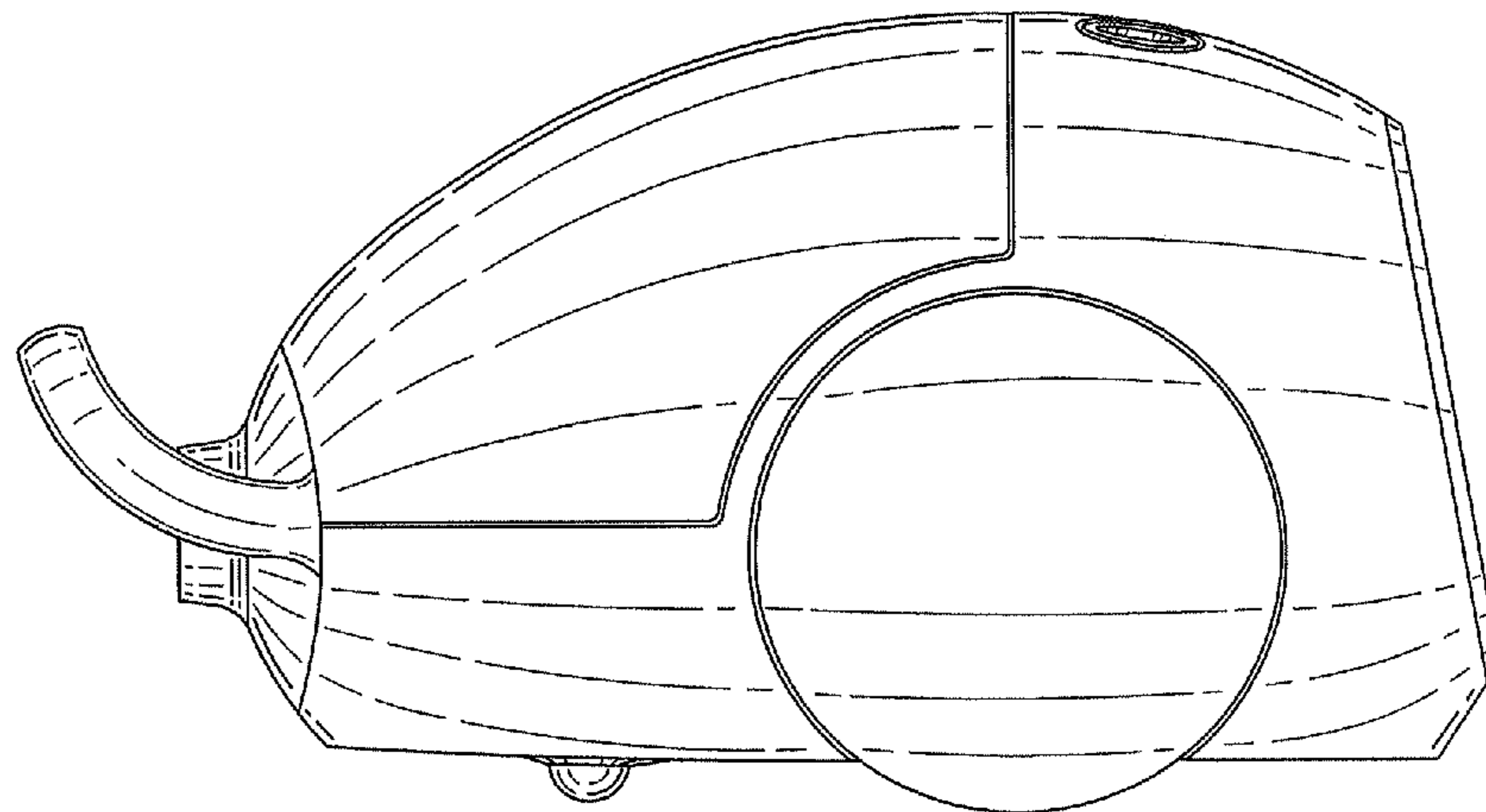


FIG. 5

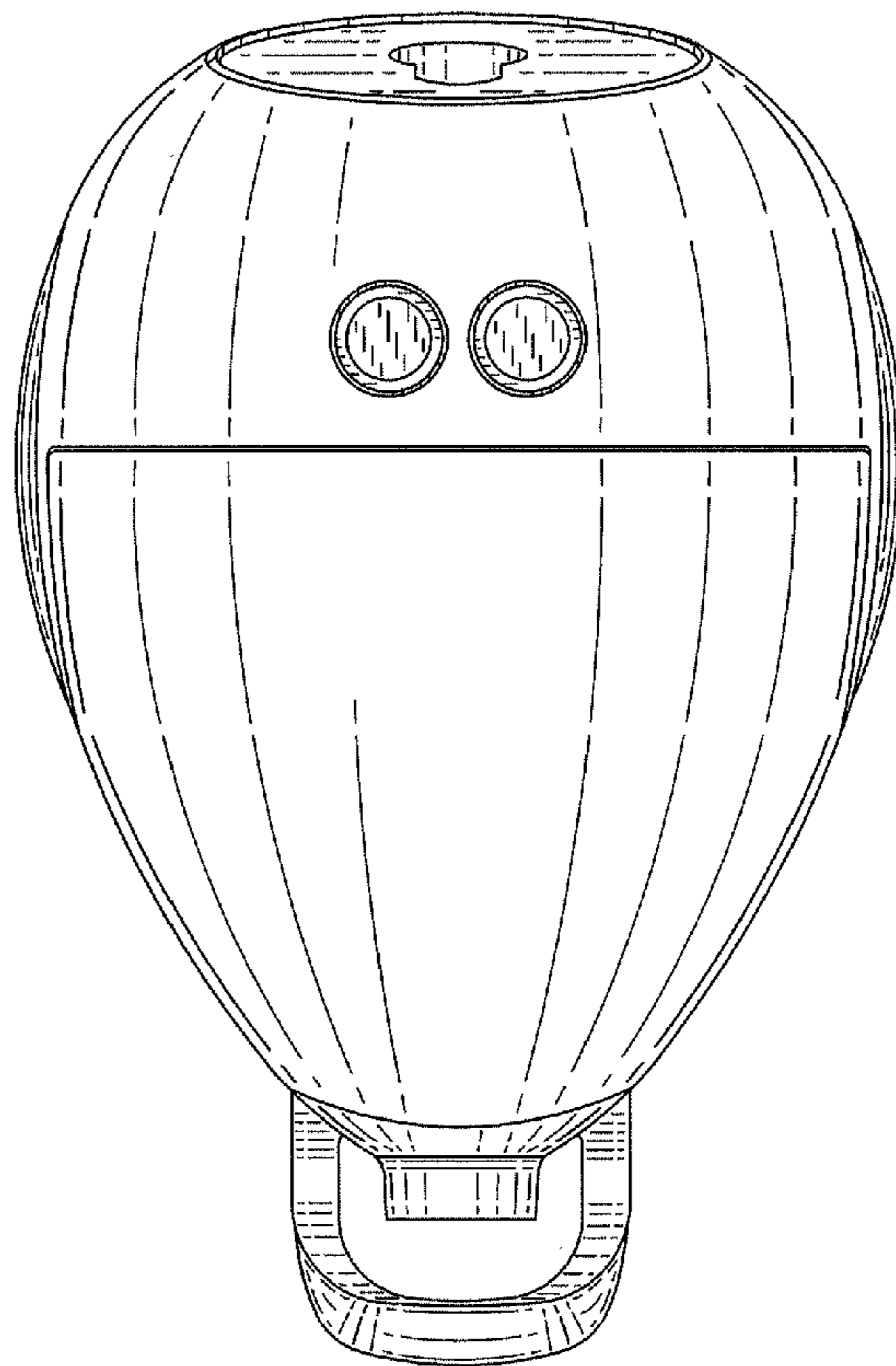


FIG. 6