



US00D668823S

(12) **United States Design Patent**  
**Stickney et al.**

(10) **Patent No.:** **US D668,823 S**  
(45) **Date of Patent:** **\*\* Oct. 9, 2012**

(54) **VACUUM CLEANER**

(75) Inventors: **Timothy Nicholas Stickney**,  
Malmesbury (GB); **Peter David**  
**Gammack**, Malmesbury (GB); **James**  
**Dyson**, Malmesbury (GB)

(73) Assignee: **Dyson Limited**, Malmesbury, Wiltshire  
(GB)

(\*\*) Term: **14 Years**

(21) Appl. No.: **29/384,857**

(22) Filed: **Feb. 4, 2011**

(30) **Foreign Application Priority Data**

Aug. 27, 2010 (EM) ..... 001231716-0001

(51) **LOC (9) Cl.** ..... **15-05**

(52) **U.S. Cl.** ..... **D32/18**

(58) **Field of Classification Search** ..... D32/31,  
D32/34, 22, 18, 21; 15/347, 353, 320, 329,  
15/344; 55/320, 337, DIG. 3, 429, 345, 459.1  
See application file for complete search history.

(56) **References Cited**

**U.S. PATENT DOCUMENTS**

D348,548 S \* 7/1994 Pino ..... D32/18  
D577,163 S \* 9/2008 Dyson et al. .... D32/21  
D587,415 S \* 2/2009 Dyson et al. .... D32/31

7,874,040 B2 \* 1/2011 Follows et al. .... 15/347  
D635,728 S \* 4/2011 Fjellman ..... D32/22  
2009/0113663 A1 \* 5/2009 Follows et al. .... 15/347  
2010/0229321 A1 \* 9/2010 Dyson et al. .... 15/344  
2011/0219571 A1 \* 9/2011 Dyson et al. .... 15/344

**OTHER PUBLICATIONS**

Stickney et al., U.S. Office Action mailed Feb. 8, 2012, directed to  
U.S. Appl. No. 29/384,862; 8 pages.

Stickney et al., U.S. Office Action mailed Feb. 9, 2012, directed to  
U.S. Appl. No. 29/384,858; 5 pages.

Stickney et al., U.S. Office Action mailed Feb. 9, 2012, directed to  
U.S. Appl. No. 29/385,064; 7 pages.

\* cited by examiner

*Primary Examiner* — Ruth McInroy

(74) *Attorney, Agent, or Firm* — Morrison & Foerster LLP

(57) **CLAIM**

We claim the ornamental design for a vacuum cleaner, as  
shown and described.

**DESCRIPTION**

FIG. 1 is a perspective view of a vacuum cleaner showing our  
new design;

FIG. 2 is a plan view thereof from above;

FIG. 3 is a plan view thereof from below;

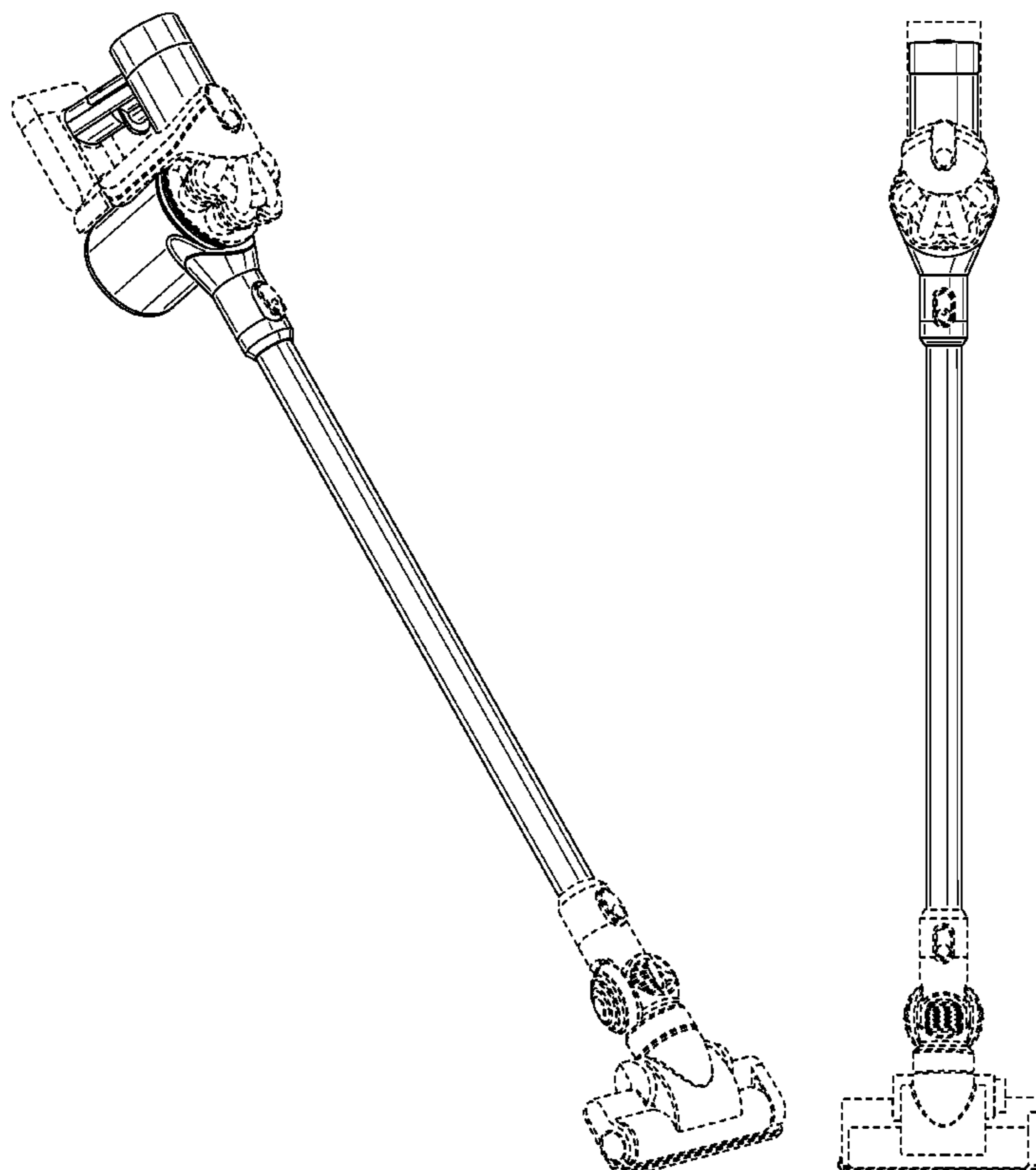
FIG. 4 is a side view thereof;

FIG. 5 is a side view from the side opposite that of FIG. 4;

FIG. 6 is a front view thereof; and,

FIG. 7 is a rear view thereof.

**1 Claim, 6 Drawing Sheets**



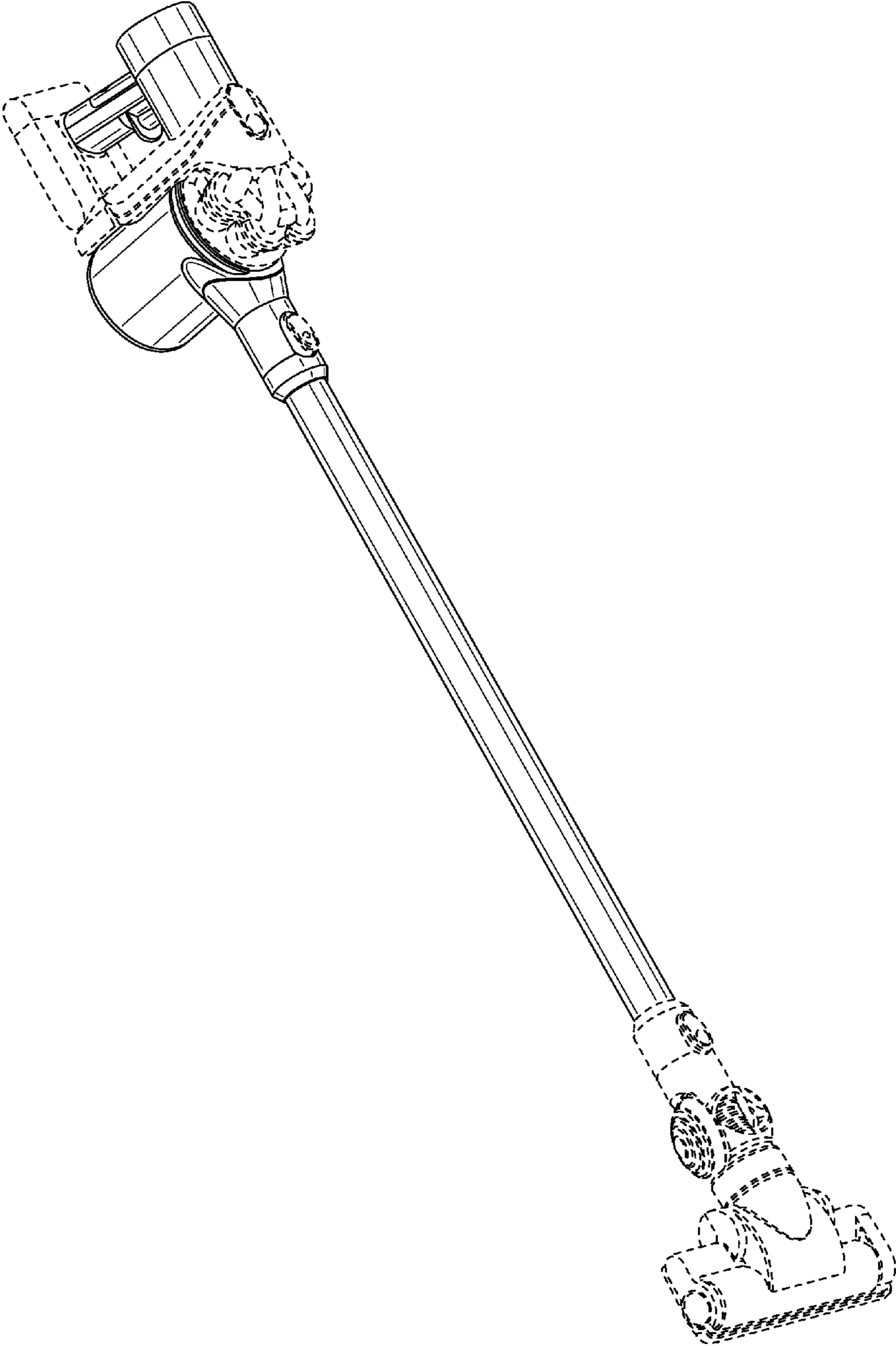


FIG. 1

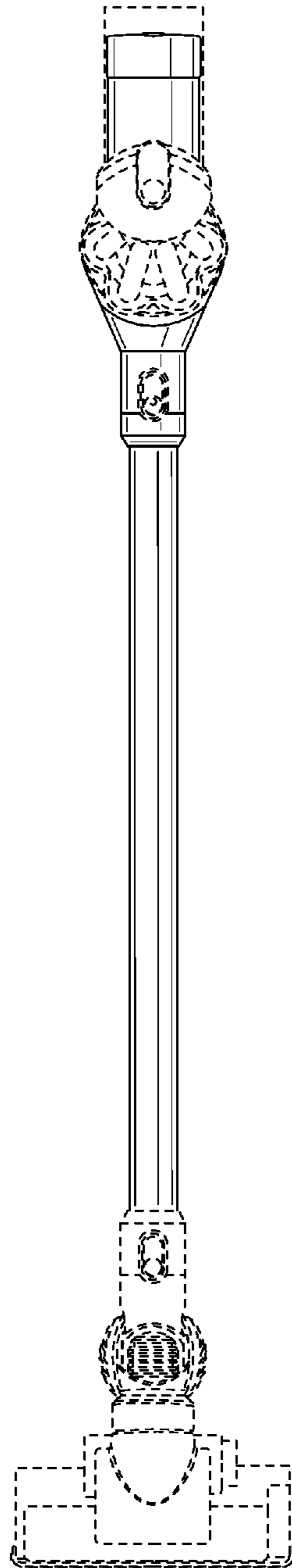


FIG. 2

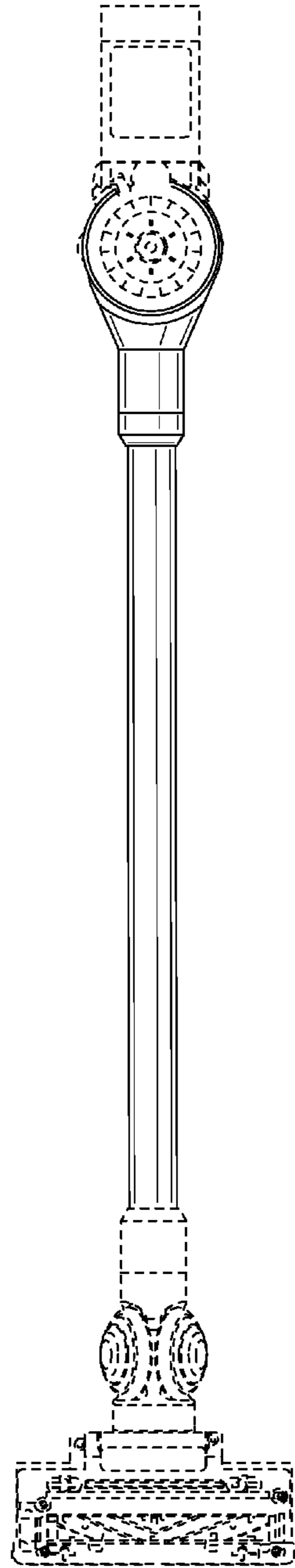


FIG. 3

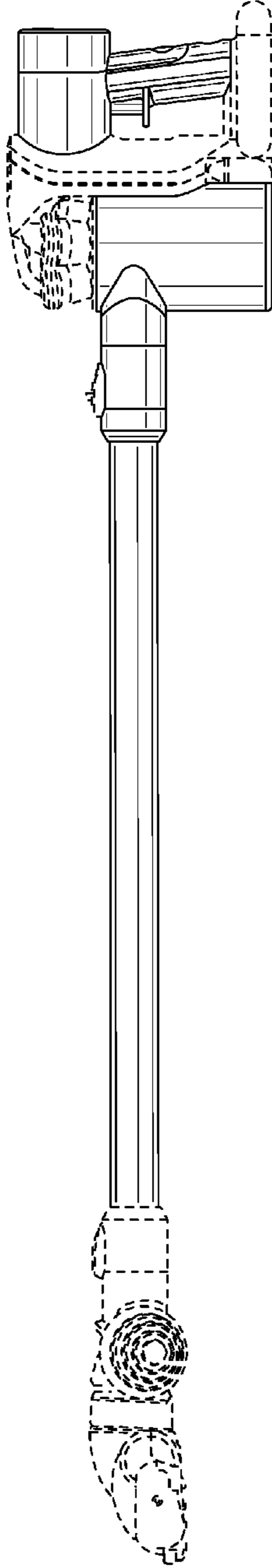


FIG. 4

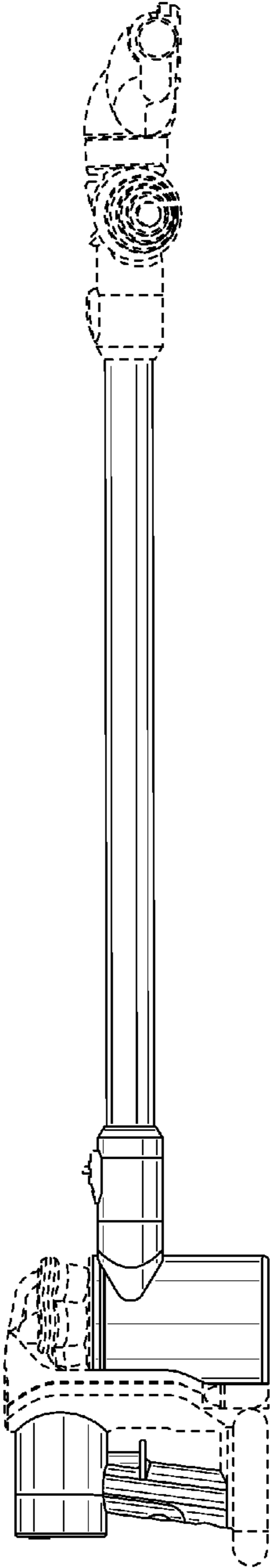


FIG. 5

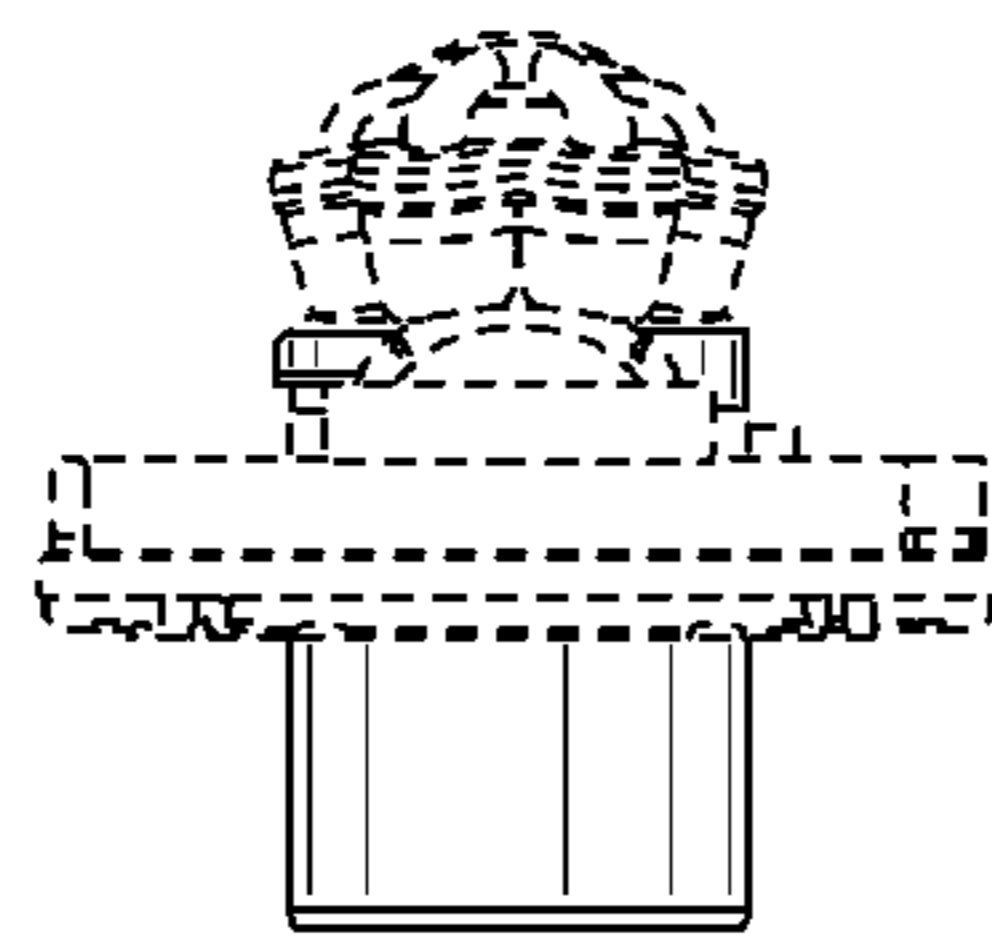


FIG. 6

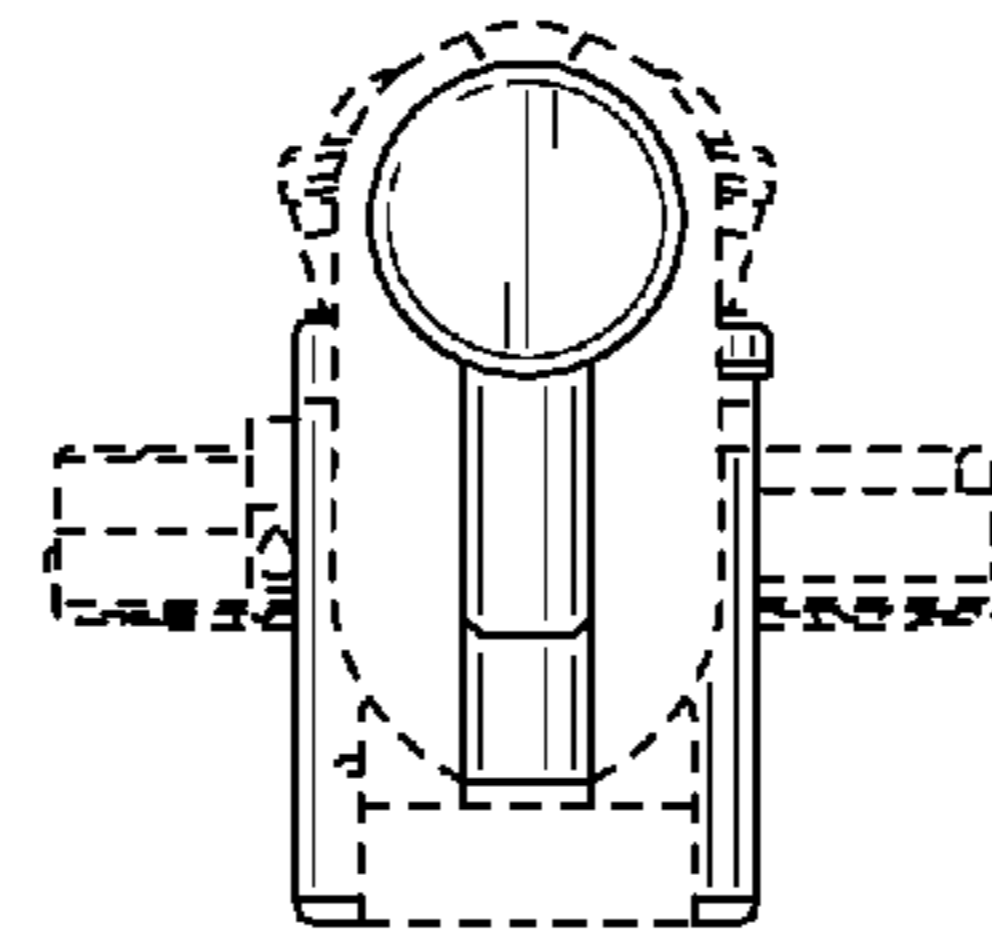


FIG. 7

UNITED STATES PATENT AND TRADEMARK OFFICE  
**CERTIFICATE OF CORRECTION**

PATENT NO. : D668,823 S  
APPLICATION NO. : 29/384857  
DATED : October 9, 2012  
INVENTOR(S) : Gammack et al.

Page 1 of 1

It is certified that error appears in the above-identified patent and that said Letters Patent is hereby corrected as shown below:

On the title page,

Item (12) delete “Stickney et al.” and insert --Gammack et al.--

Item (75), the following inventor information should be deleted:

“Timothy Nicholas Stickney, Malmesbury (GB)”

Signed and Sealed this  
Eighth Day of November, 2016



Michelle K. Lee  
*Director of the United States Patent and Trademark Office*