



US00D668822S

(12) **United States Design Patent**  
**Tinius**

(10) **Patent No.:** **US D668,822 S**

(45) **Date of Patent:** **\*\* Oct. 9, 2012**

(54) **BLOWER**

(75) Inventor: **Michael Tinius**, Ulm (DE)

(73) Assignee: **Andreas Stihl AG & Co. KG**,  
Waiblingen (DE)

(\*\*) Term: **14 Years**

(21) Appl. No.: **29/377,766**

(22) Filed: **Oct. 26, 2010**

(30) **Foreign Application Priority Data**

Apr. 26, 2010 (EM) ..... 001210405-0002

(51) **LOC (9) Cl.** ..... **15-05**

(52) **U.S. Cl.** ..... **D32/15**

(58) **Field of Classification Search** ..... D32/1,  
D32/15, 17-18, 21; D23/213, 383; 15/300.1,  
15/344-345, 405

See application file for complete search history.

(56) **References Cited**

**U.S. PATENT DOCUMENTS**

5,673,457 A \* 10/1997 Webster et al. .... 15/330  
D416,360 S \* 11/1999 Enkyo et al. .... D32/15  
6,000,096 A \* 12/1999 Everts et al. .... 15/330

D471,680 S \* 3/2003 Tokumaru et al. .... D32/15  
D529,243 S \* 9/2006 Noma et al. .... D32/15  
D569,055 S \* 5/2008 Bochmann et al. .... D32/15  
D583,925 S \* 12/2008 Tinius ..... D23/383  
D637,774 S \* 5/2011 Li et al. .... D32/15

\* cited by examiner

*Primary Examiner* — T. Chase Nelson

*Assistant Examiner* — Kathleen M Sims

(74) *Attorney, Agent, or Firm* — McGuireWoods LLP

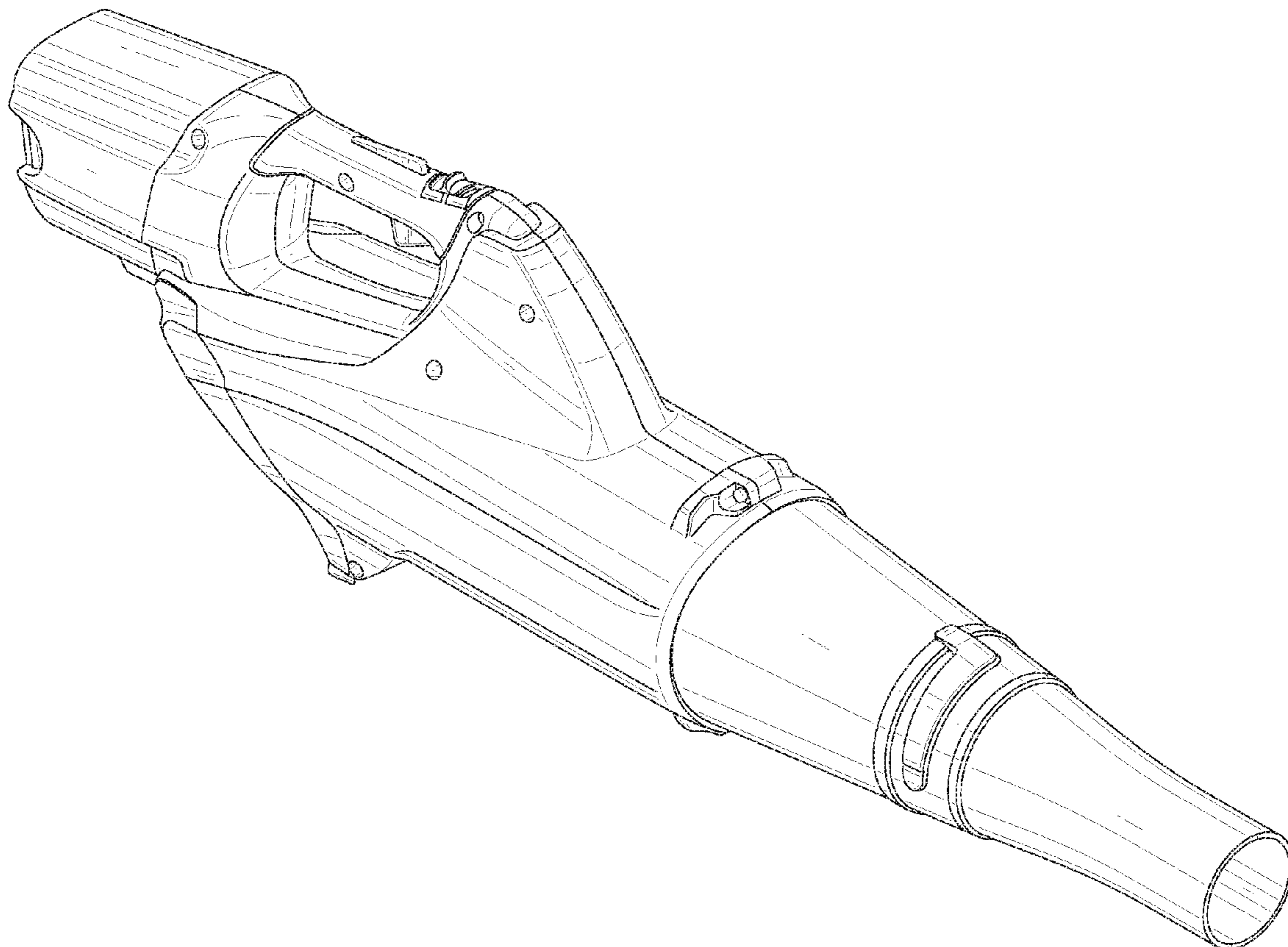
(57) **CLAIM**

I claim the ornamental design for a blower, as shown and described.

**DESCRIPTION**

FIG. 1 is a right perspective view of the blower;  
FIG. 2 is a front view of the blower shown in FIG. 1;  
FIG. 3 is a rear view of the blower shown in FIG. 1;  
FIG. 4 is a right side view of the blower shown in FIG. 1;  
FIG. 5 is a left side view of the blower shown in FIG. 1;  
FIG. 6 is a top view of the blower shown in FIG. 1; and,  
FIG. 7 is a bottom view of the blower shown in FIG. 1.  
The subject matter shown in dashed lines, and any surfaces of the design not shown, including interior surfaces, form no part of the claimed invention.

**1 Claim, 5 Drawing Sheets**



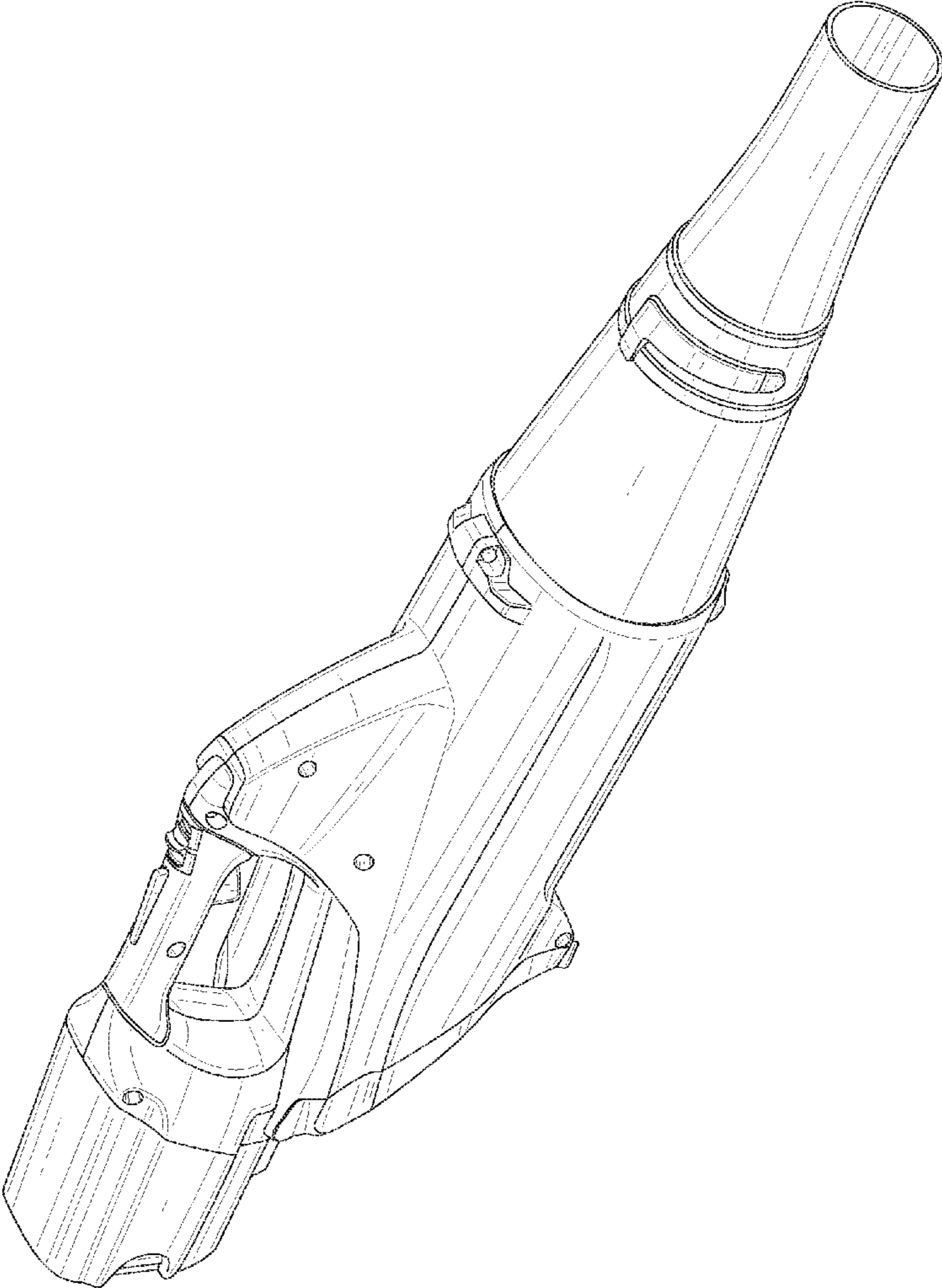


FIG. 1

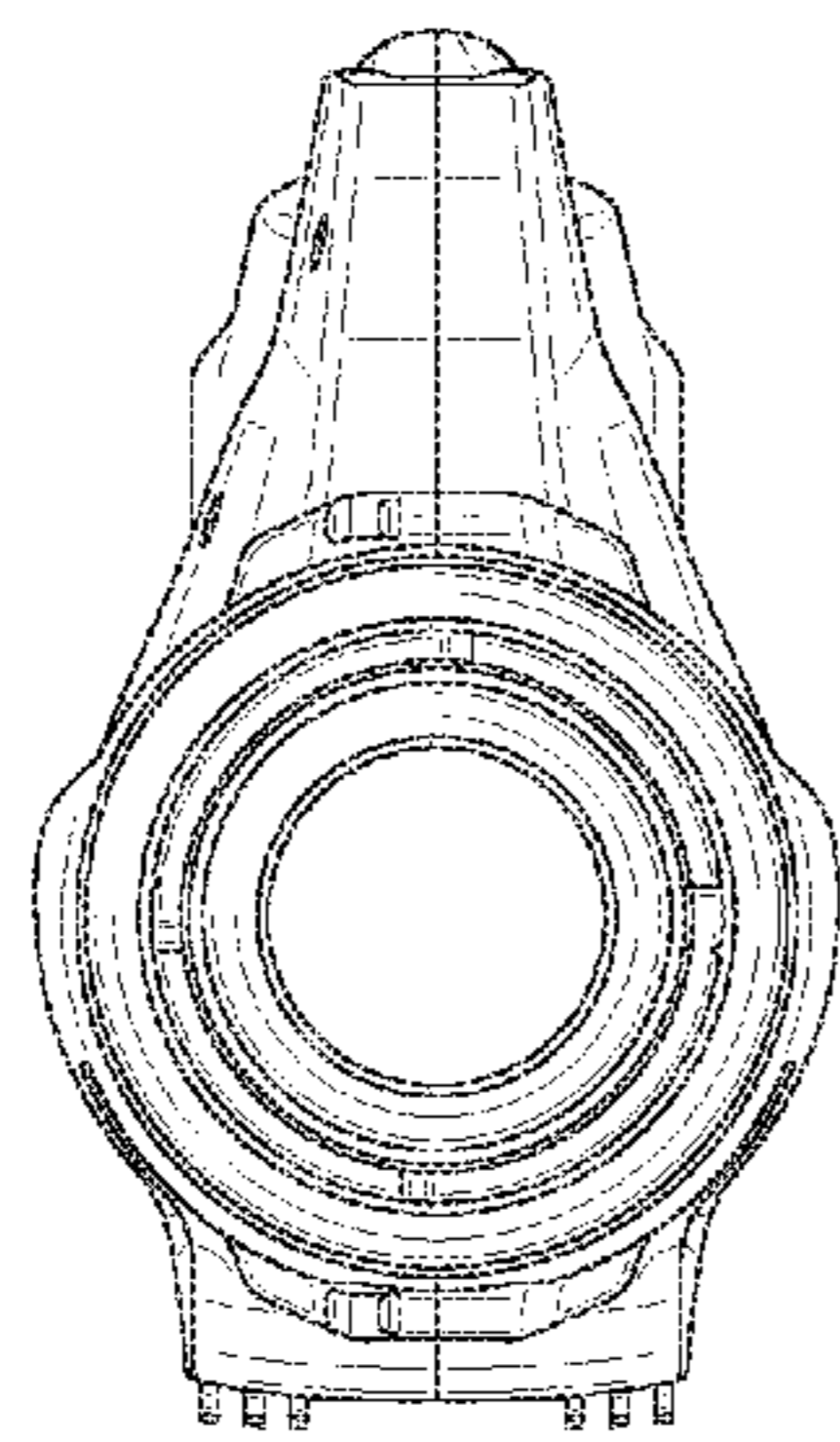


FIG. 2

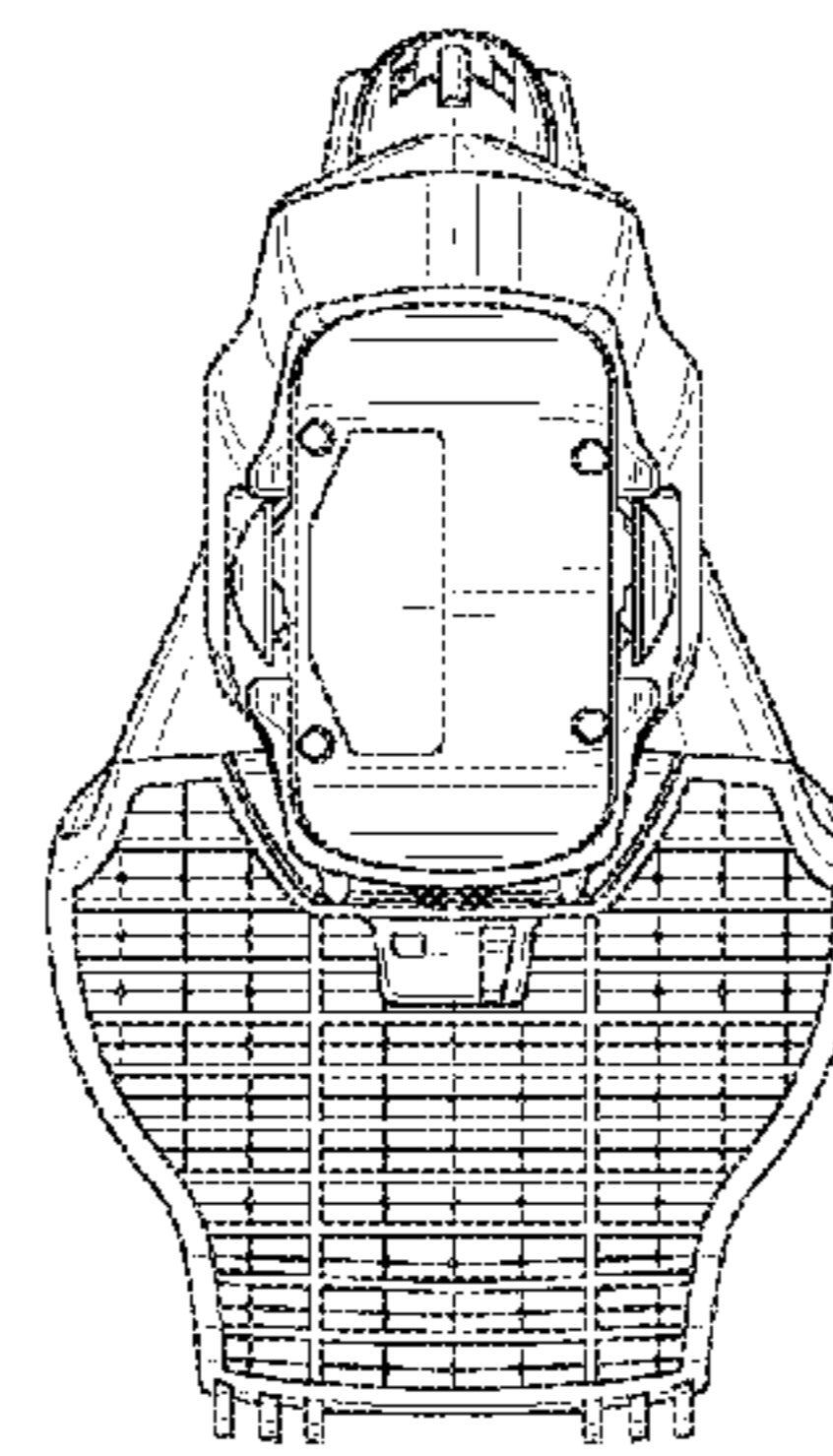


FIG. 3

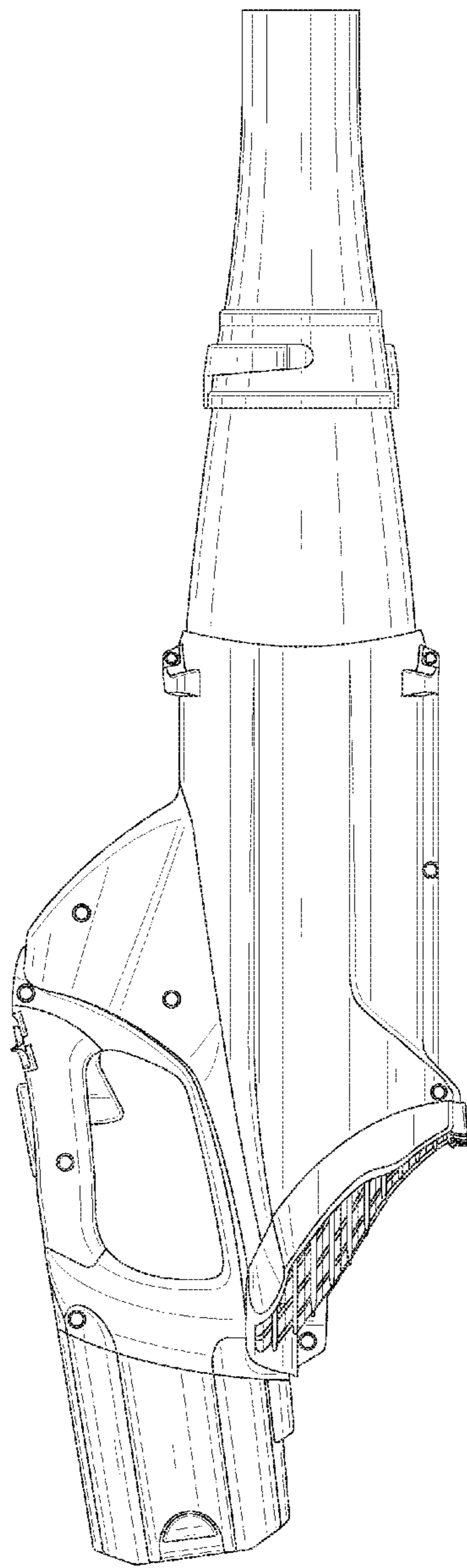


FIG. 4

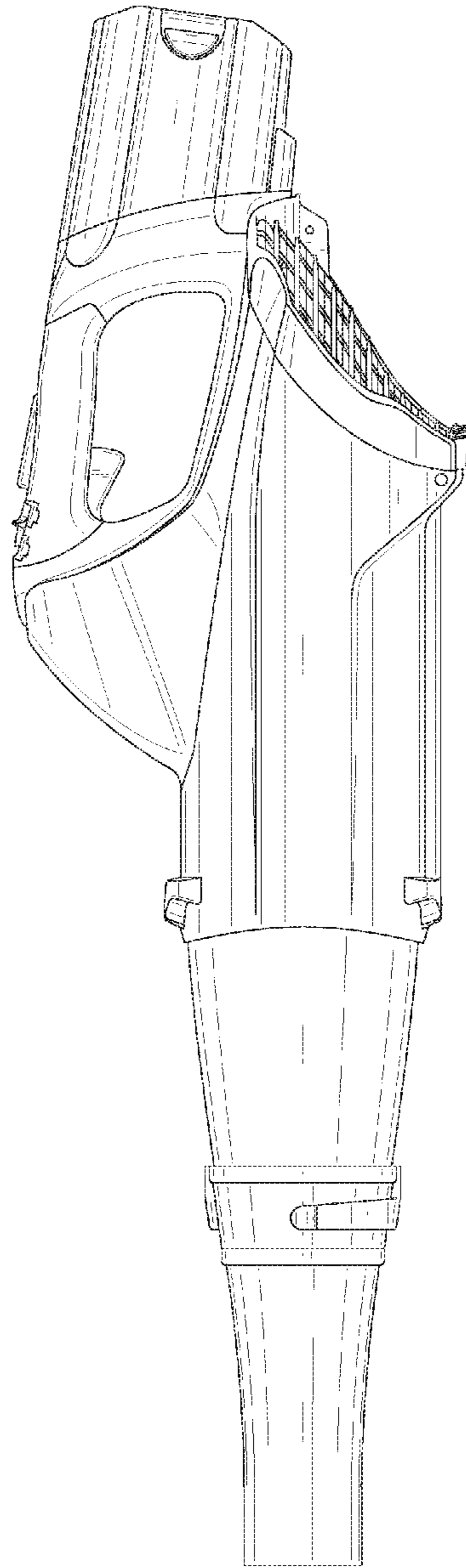


FIG. 5



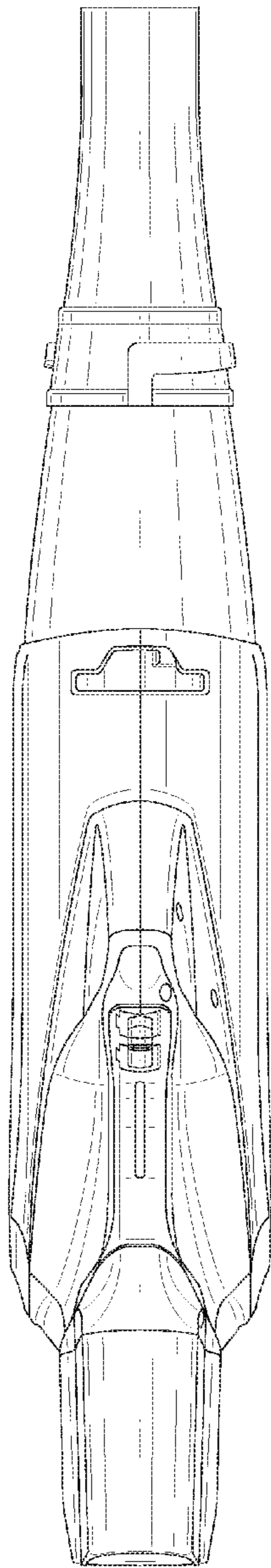


FIG. 6

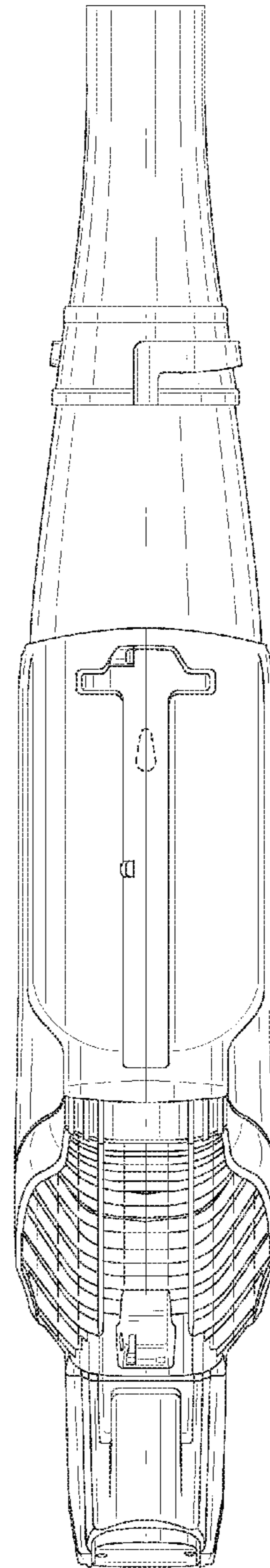


FIG. 7

UNITED STATES PATENT AND TRADEMARK OFFICE  
**CERTIFICATE OF CORRECTION**

PATENT NO. : D668,822 S  
APPLICATION NO. : 29/377766  
DATED : October 9, 2012  
INVENTOR(S) : Michael Tinius

Page 1 of 1

It is certified that error appears in the above-identified patent and that said Letters Patent is hereby corrected as shown below:

On the Title Page of the patent, under section (73) Assignee: please correct  
“Andrean Stihl AG & Co. KG” to -- Andreas Stihl AG & Co., KG --

Signed and Sealed this  
Twenty-ninth Day of January, 2013

A handwritten signature in black ink that reads "David J. Kappos". The signature is written in a cursive style with a large initial 'D' and 'K'.

David J. Kappos  
*Director of the United States Patent and Trademark Office*