



US00D668820S

(12) **United States Design Patent**
Shamis et al.

(10) **Patent No.:** **US D668,820 S**
(45) **Date of Patent:** **** Oct. 9, 2012**

(54) **PROTECTIVE SLEEVE AND GLOVE COMBINATION**

D628,752 S 12/2010 Lewis et al.
D634,900 S 3/2011 Eff
D640,013 S 6/2011 Lewis et al.

(75) Inventors: **Martin Scott Shamis**, Alpharetta, GA (US); **Christopher Matthew Sinotte**, Duluth, GA (US); **Lori Ann Shaffer**, Nuremberg (DE); **Marc Anthony Southon**, Tunbridge Wells (GB)

* cited by examiner

Primary Examiner — Raphael Barkai
Assistant Examiner — Randall Gholson
(74) *Attorney, Agent, or Firm* — Dority & Manning, P.A.

(73) Assignee: **Kimberly-Clark Worldwide, Inc.**, Neenah, WI (US)

(57) **CLAIM**
The ornamental design for a protective sleeve and glove combination, as shown and described.

(**) Term: **14 Years**

DESCRIPTION

(21) Appl. No.: **29/408,977**

(22) Filed: **Dec. 19, 2011**

(51) **LOC (9) Cl.** **29-02**

(52) **U.S. Cl.** **D29/120.1**

(58) **Field of Classification Search** D29/100, D29/101.1, 101.2, 101.3, 101.4, 101.5, 120.1, D29/120.2, 121.1, 121.2, 122; D2/901, 617; D24/190; 2/16, 20–24, 62, 267, 455, 461, 2/463, 910, 911, 163, 161.6; 602/3, 5, 6, 602/16, 23, 26

See application file for complete search history.

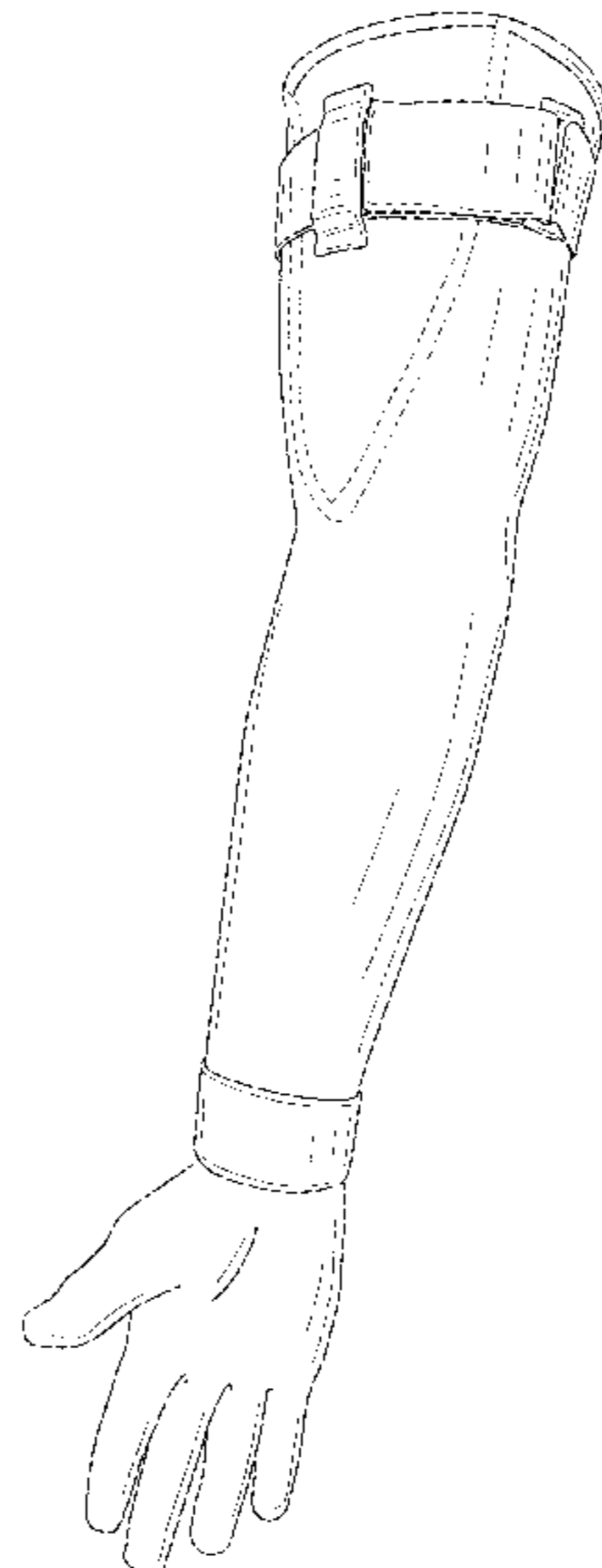
(56) **References Cited**

U.S. PATENT DOCUMENTS

D305,579	S	1/1990	Cato	
5,073,988	A *	12/1991	Lewis et al.	2/162
D359,835	S *	7/1995	Hadfield	D2/610
D402,420	S *	12/1998	Roberts	D29/120.1
5,974,586	A *	11/1999	Reinoso	2/16
D442,765	S *	5/2001	Newman	D2/610
6,775,844	B1 *	8/2004	Castillo	2/16
D548,892	S	8/2007	Wilson et al.	
D551,351	S *	9/2007	Silva	D24/190
7,290,290	B2 *	11/2007	Treadway Fancher	2/16
D560,041	S	1/2008	Cook et al.	
7,389,544	B1 *	6/2008	Biggerstaff	2/16
D617,502	S *	6/2010	Chalk et al.	D29/120.1

FIG. 1 is a perspective view of a protective sleeve and glove combination embodying our new design;
 FIG. 2 is a front view of the protective sleeve and glove combination shown in FIG. 1;
 FIG. 3 is a back view of the protective sleeve and glove combination shown in FIG. 1;
 FIG. 4 is a side view of a first side of the protective sleeve and glove combination shown in FIG. 1;
 FIG. 5 is a side view of a second side of the protective sleeve and glove combination shown in FIG. 1;
 FIG. 6 is an end view of the protective sleeve and glove combination shown in FIG. 1 at the end closest to a wearer's hand;
 FIG. 7 is an end view of the protective sleeve and glove combination shown in FIG. 1 at the end closest to a wearer's shoulder; and,
 FIG. 8 is a perspective view of the protective sleeve and glove combination of FIG. 1 depicted on a wearer's arm.
 In FIG. 8, the protective sleeve and glove combination of the embodiment shown in FIG. 1 is depicted with the end of FIG. 6 on the wearer's hand and the end of FIG. 7 closest to the wearer's shoulder.
 The broken lines in the drawings represent unclaimed environmental subject matter illustrating the design in use and form no part of the claim.

1 Claim, 6 Drawing Sheets



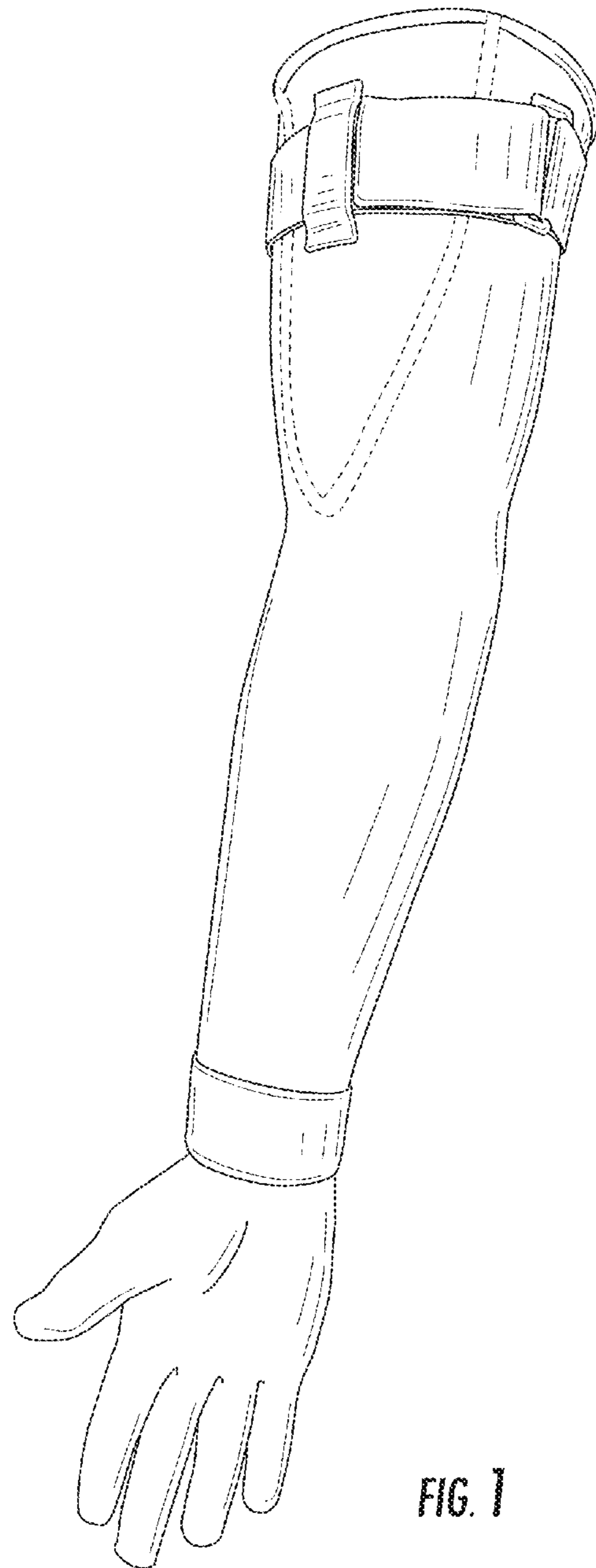


FIG. 1

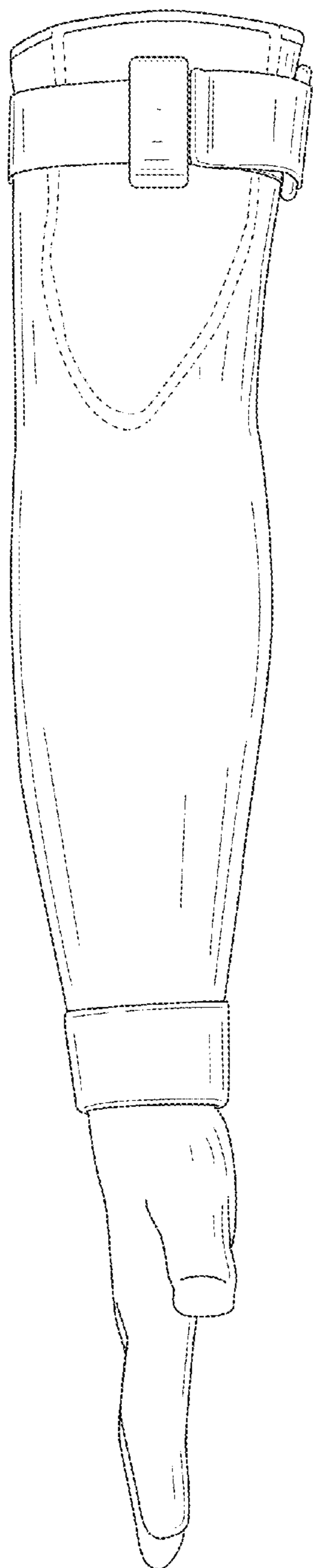


FIG. 2

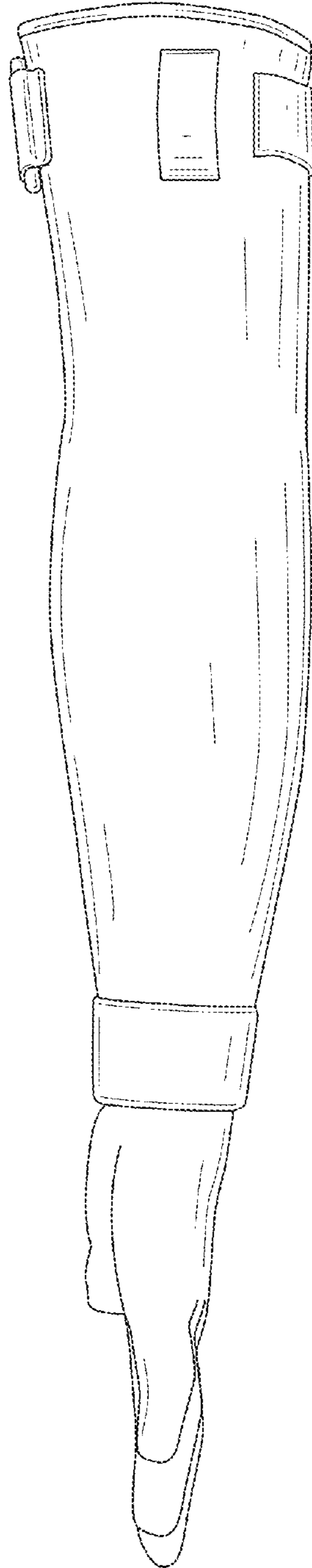


FIG. 3

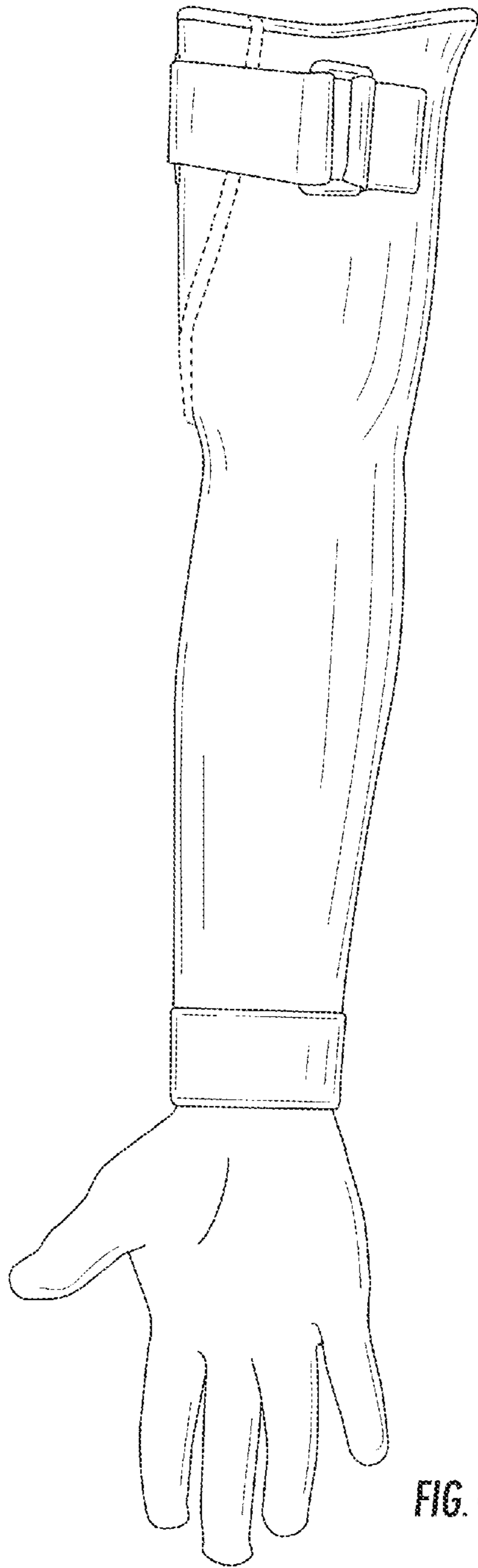


FIG. 4

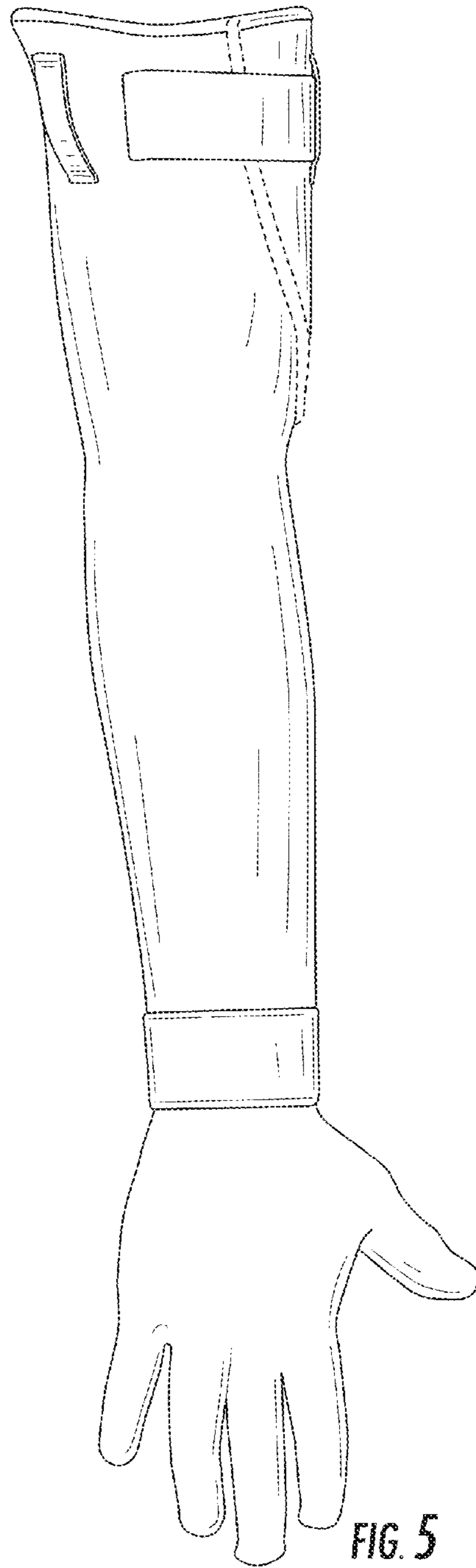


FIG. 5

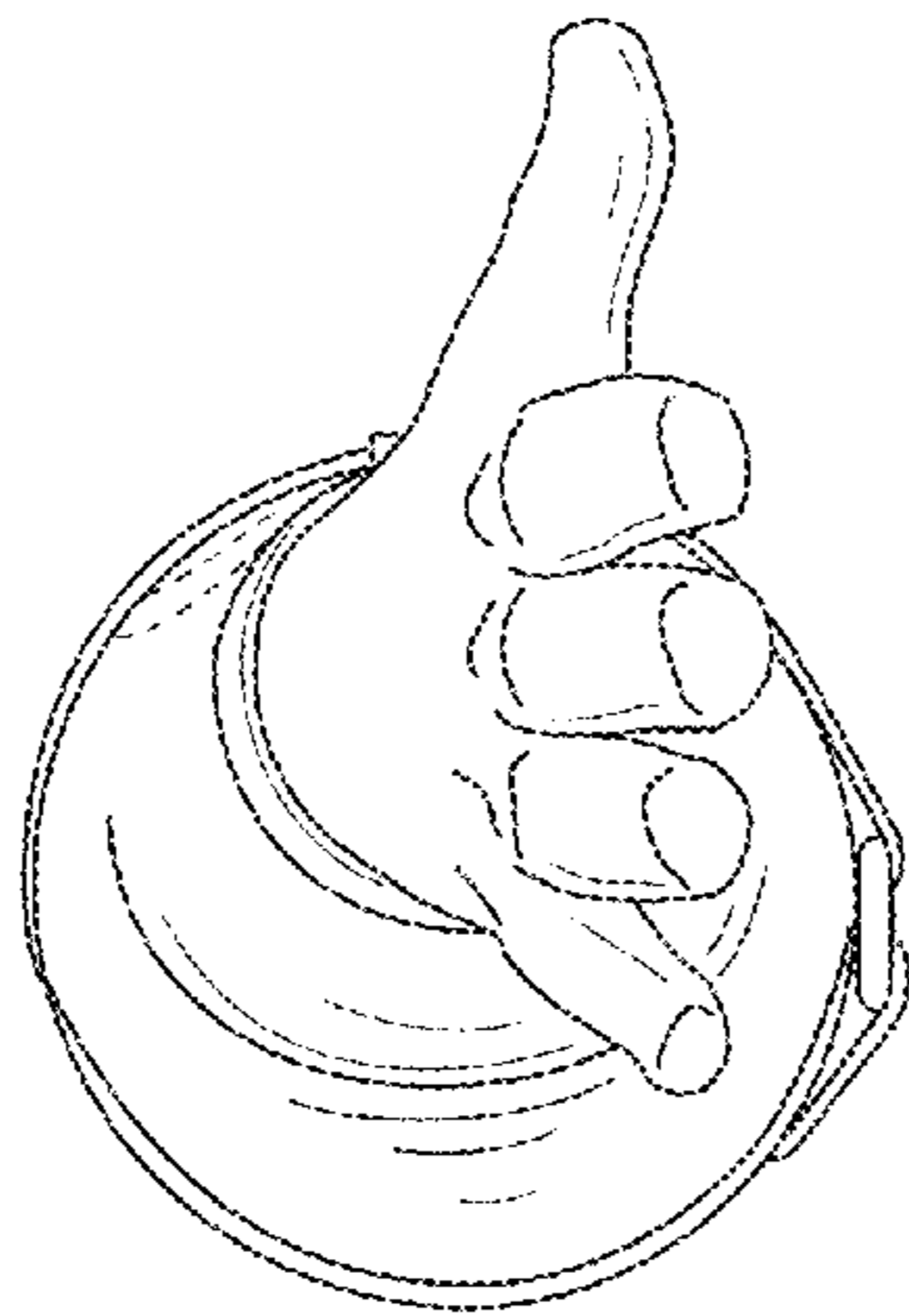


FIG. 6

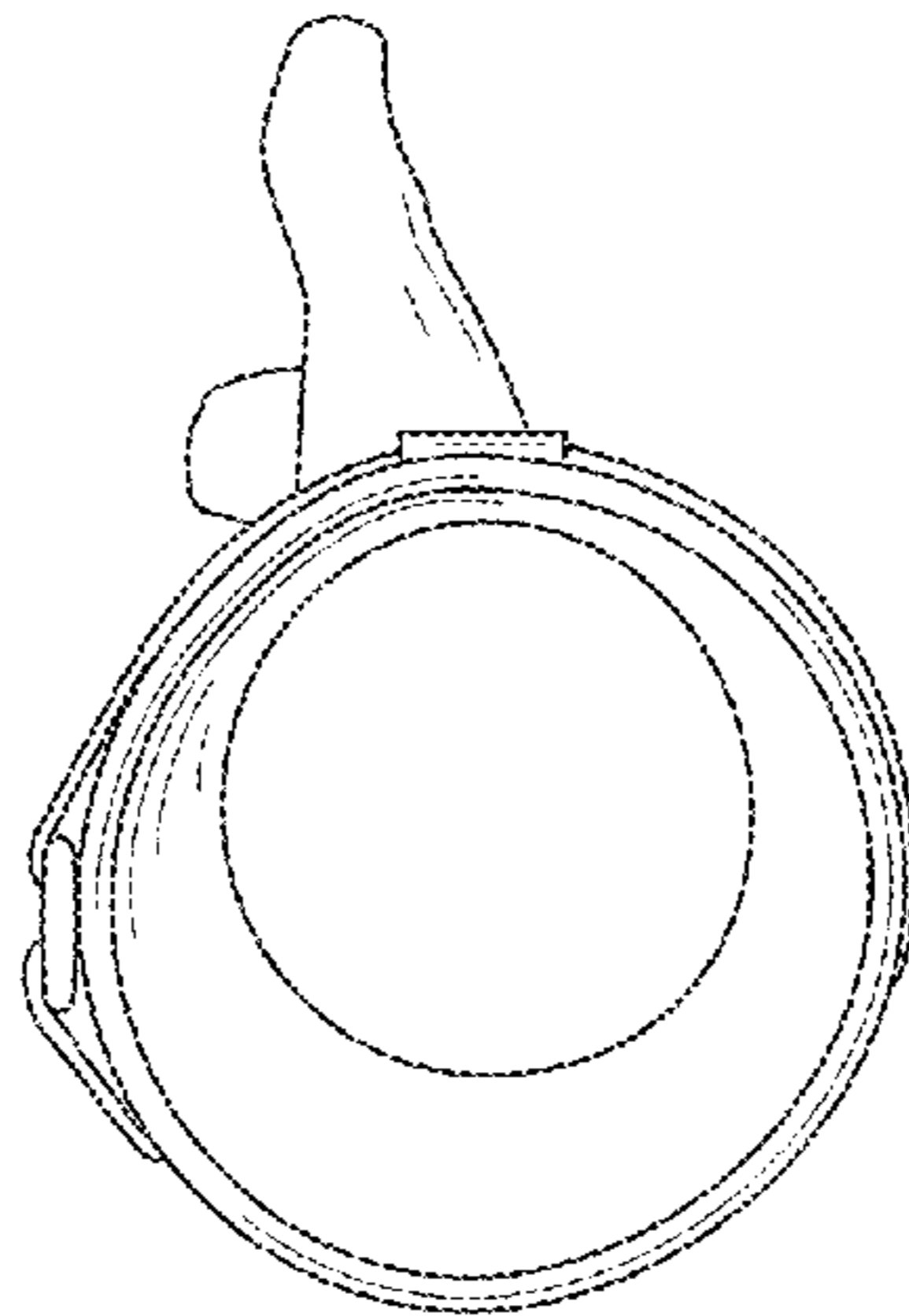


FIG. 7

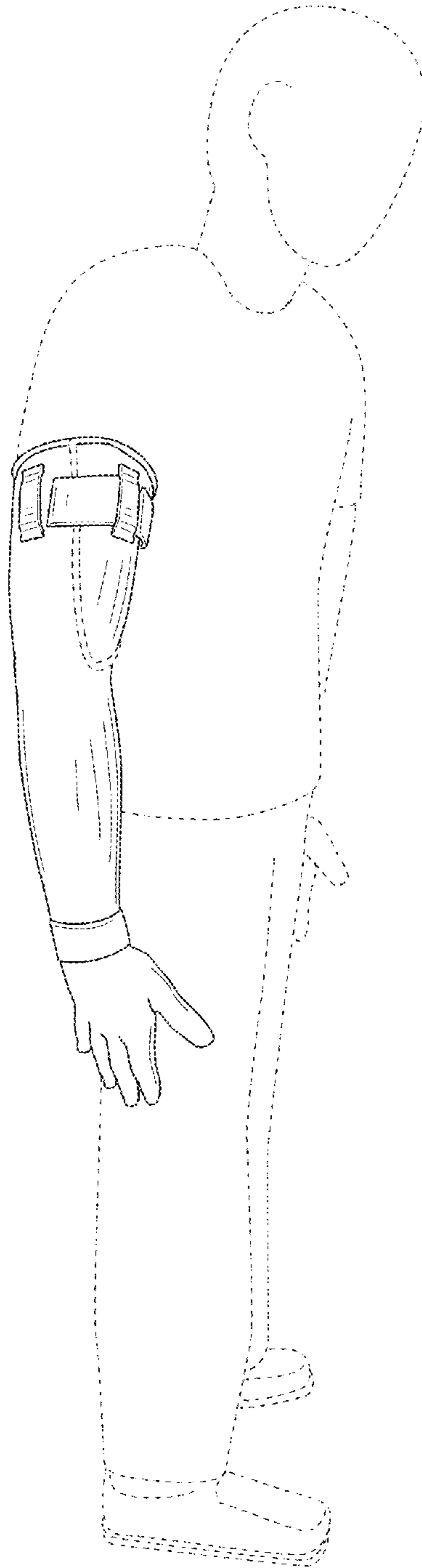


FIG. 8