



US00D668812S

(12) **United States Design Patent**
Sprengers

(10) **Patent No.:** **US D668,812 S**

(45) **Date of Patent:** **** Oct. 9, 2012**

(54) **LUMINAIRE**

(75) **Inventor:** **David Sprengers**, Antwerp (BE)

(73) **Assignee:** **Koninklijke Philips Electronics N.V.**,
Eindhoven (NL)

(**) **Term:** **14 Years**

(21) **Appl. No.:** **29/393,245**

(22) **Filed:** **Jun. 1, 2011**

(30) **Foreign Application Priority Data**

Dec. 2, 2010 (EM) 001788845-0007

(51) **LOC (9) Cl.** **23-03**

(52) **U.S. Cl.** **D26/107**

(58) **Field of Classification Search** D26/1,
D26/24, 61, 6, 93-94, 101, 104-110, 113,
D26/118; 362/3, 153, 186, 217, 255, 257,
362/277, 317, 351, 353, 362, 363, 382, 431,
362/433, 458, 806

See application file for complete search history.

(56) **References Cited**

U.S. PATENT DOCUMENTS

D512,171 S *	11/2005	Opolka	D26/62
D525,382 S *	7/2006	Chen	D26/65
D574,990 S *	8/2008	Tsai	D26/63
D655,033 S *	2/2012	Verelst et al.	D26/107

* cited by examiner

Primary Examiner — Brian N Vinson

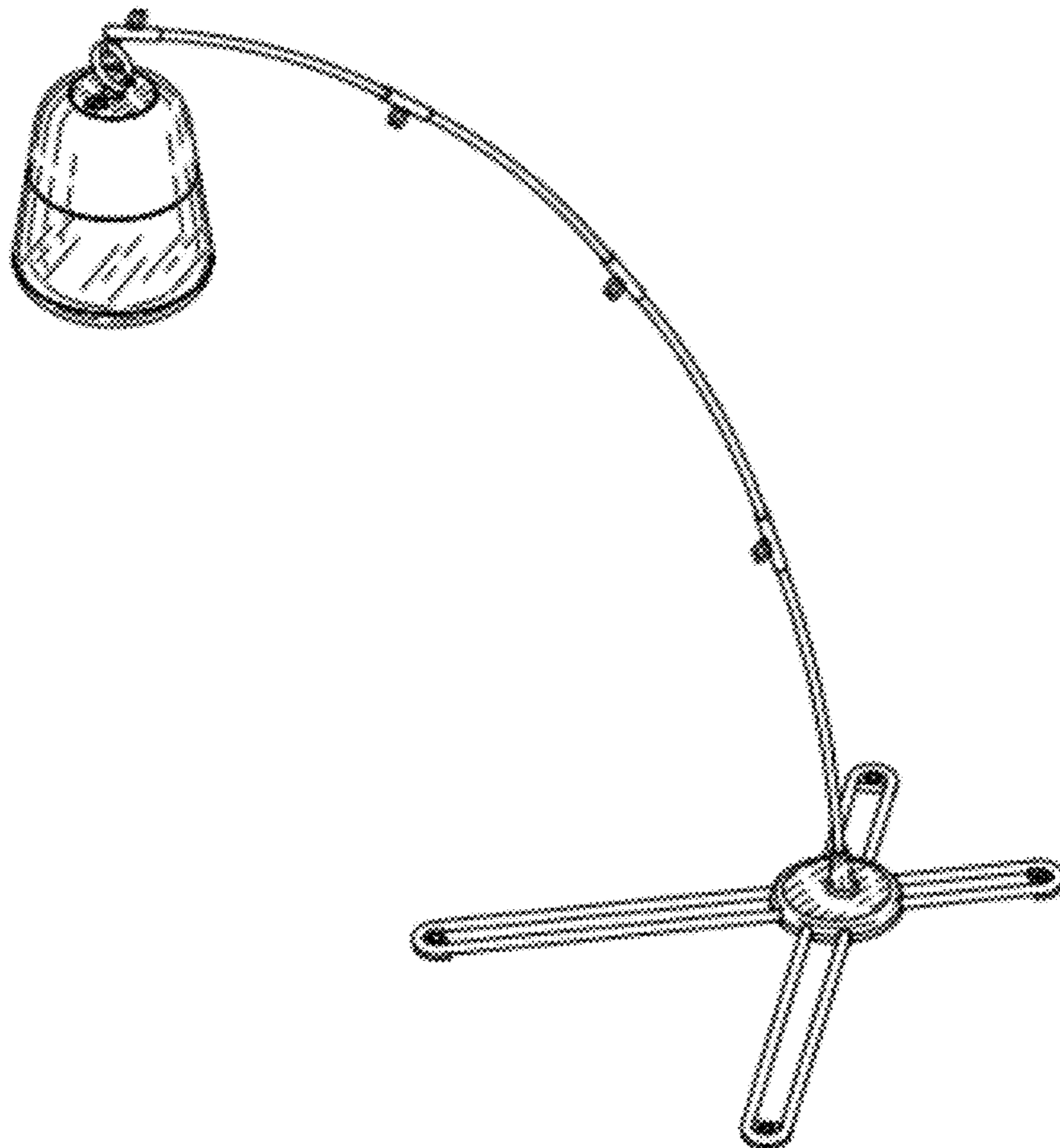
(57) **CLAIM**

The ornamental design for a luminaire, as shown.

DESCRIPTION

FIG. 1 is a perspective view showing my design;
FIG. 2 is a front elevational view thereof;
FIG. 3 is a rear elevational view thereof;
FIG. 4 is a right side elevational view thereof;
FIG. 5 is a left side elevational view thereof;
FIG. 6 is a top plan view thereof; and,
FIG. 7 is a bottom plan view thereof.

1 Claim, 5 Drawing Sheets



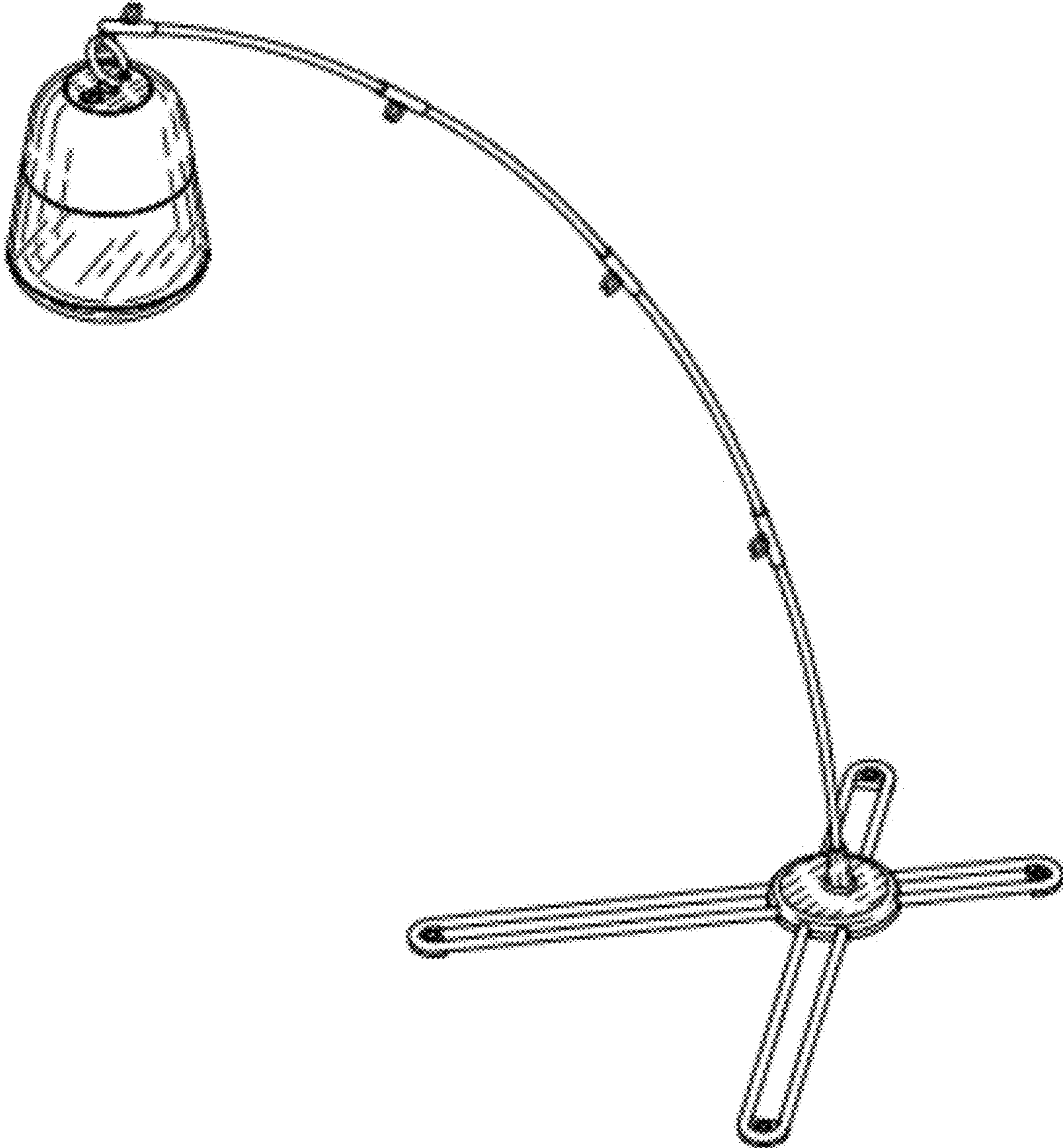


FIG. 1

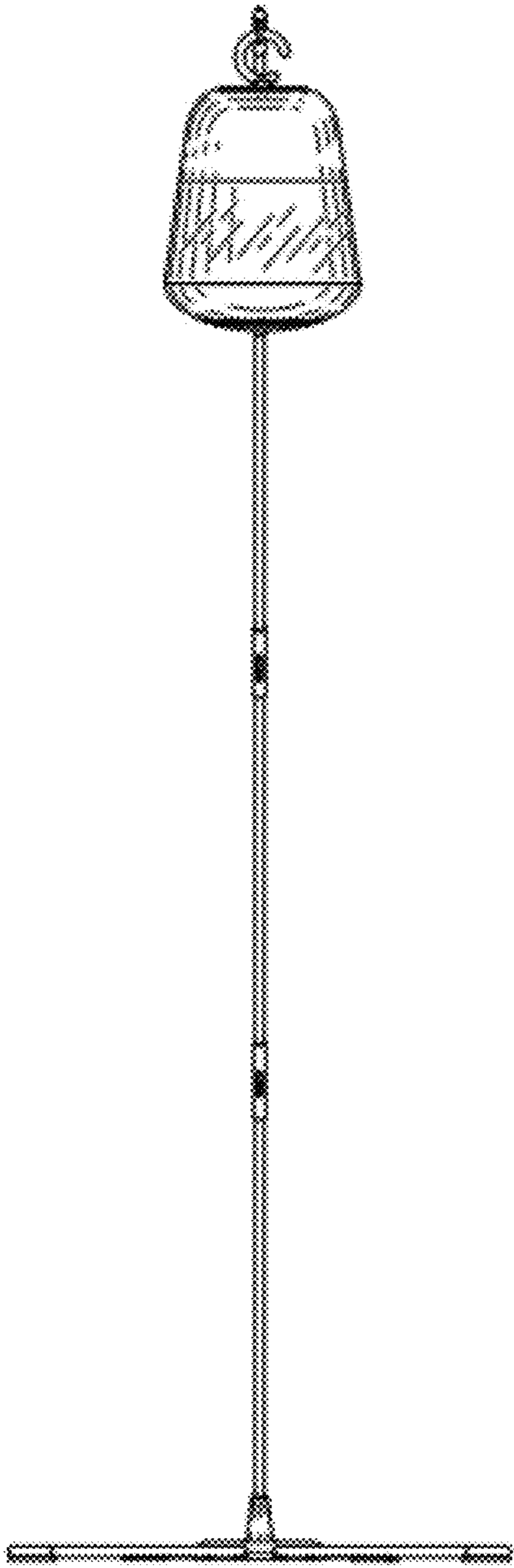


FIG. 2

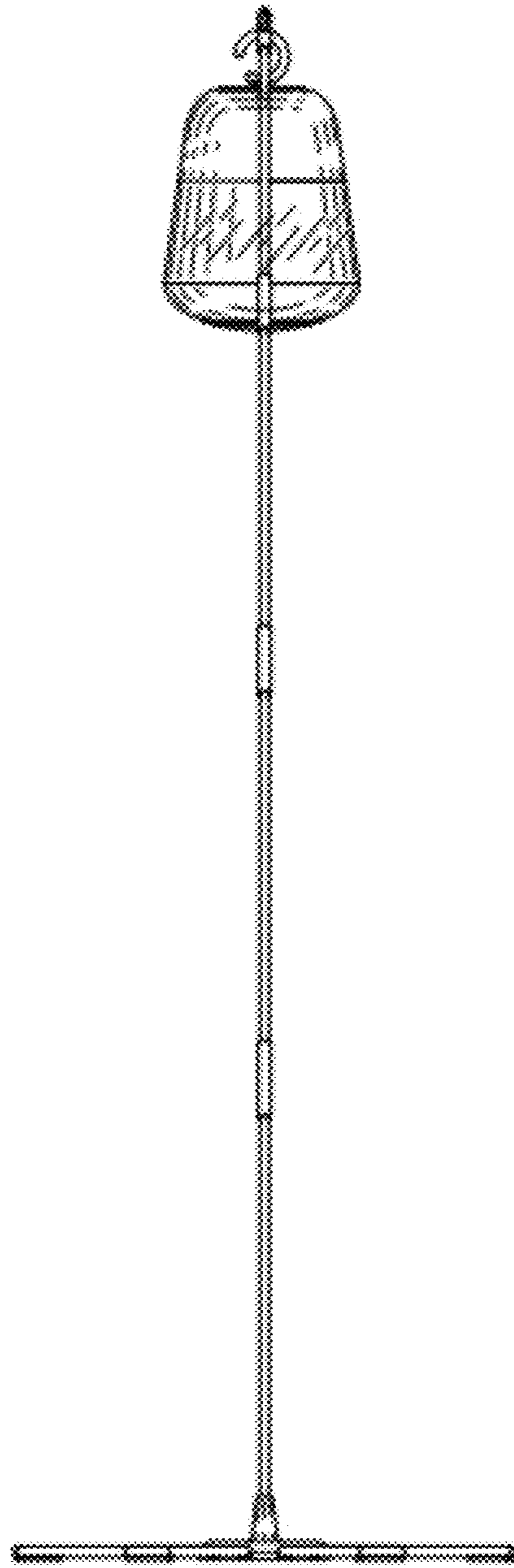


FIG. 3

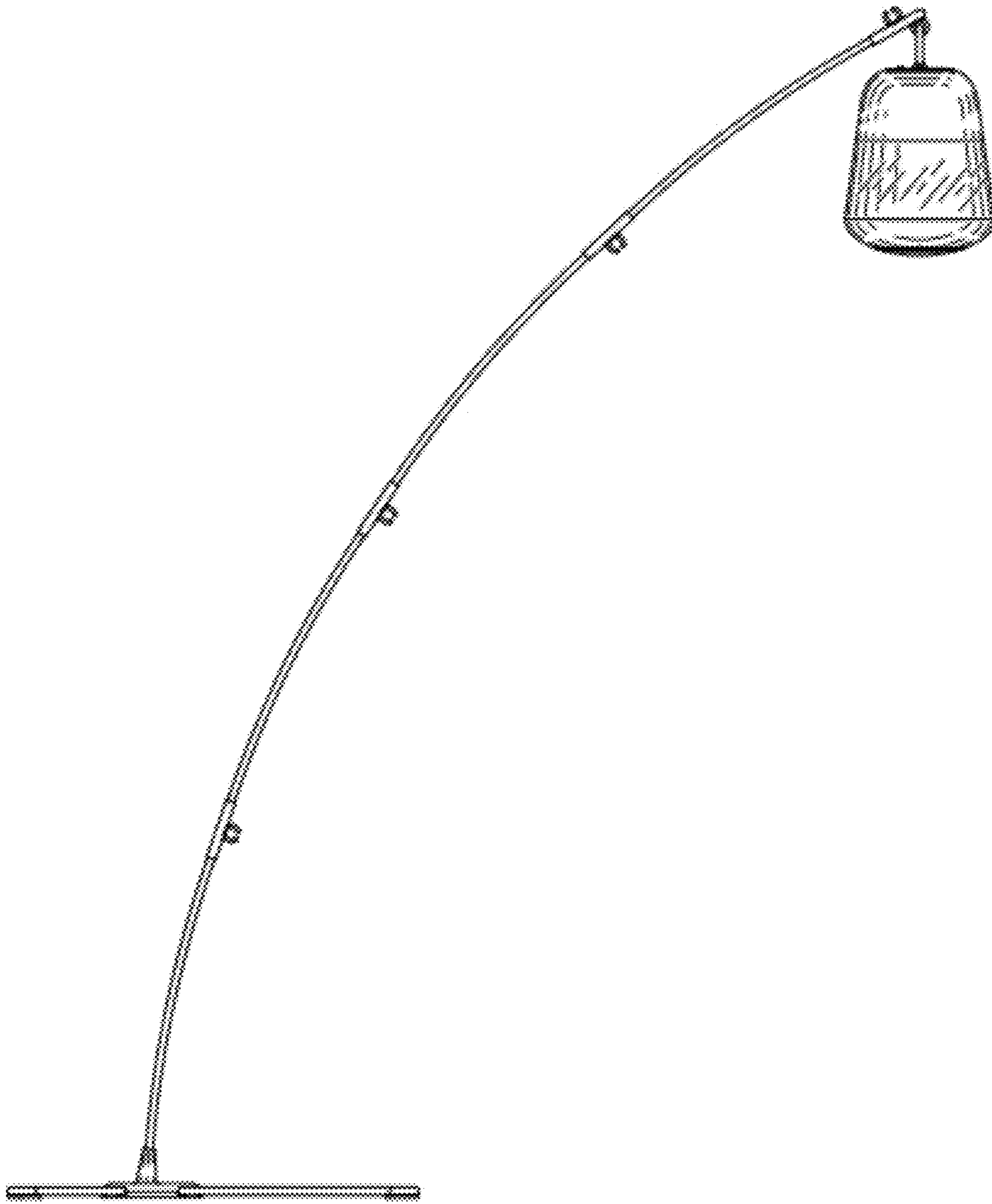


FIG. 4

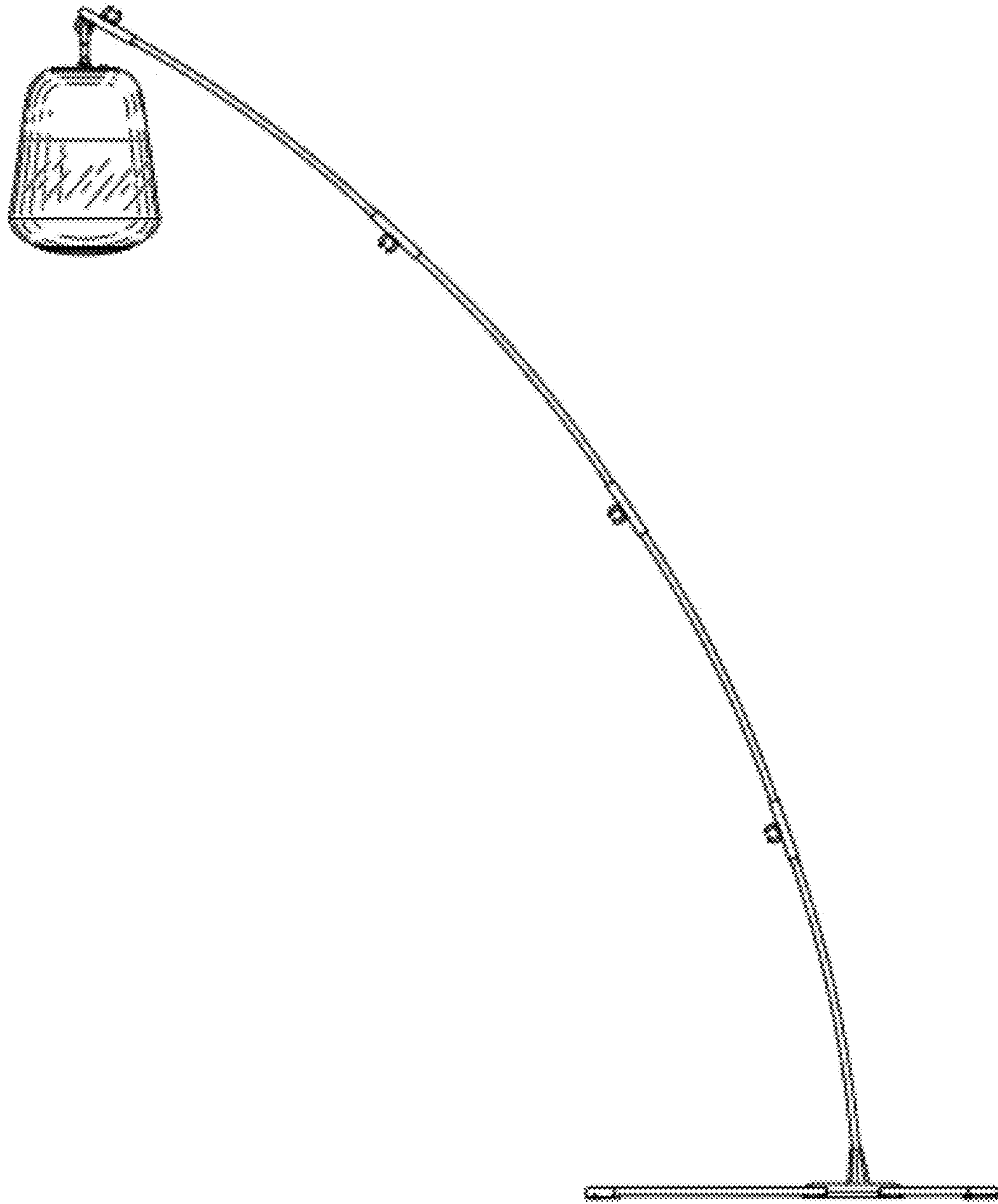


FIG. 5

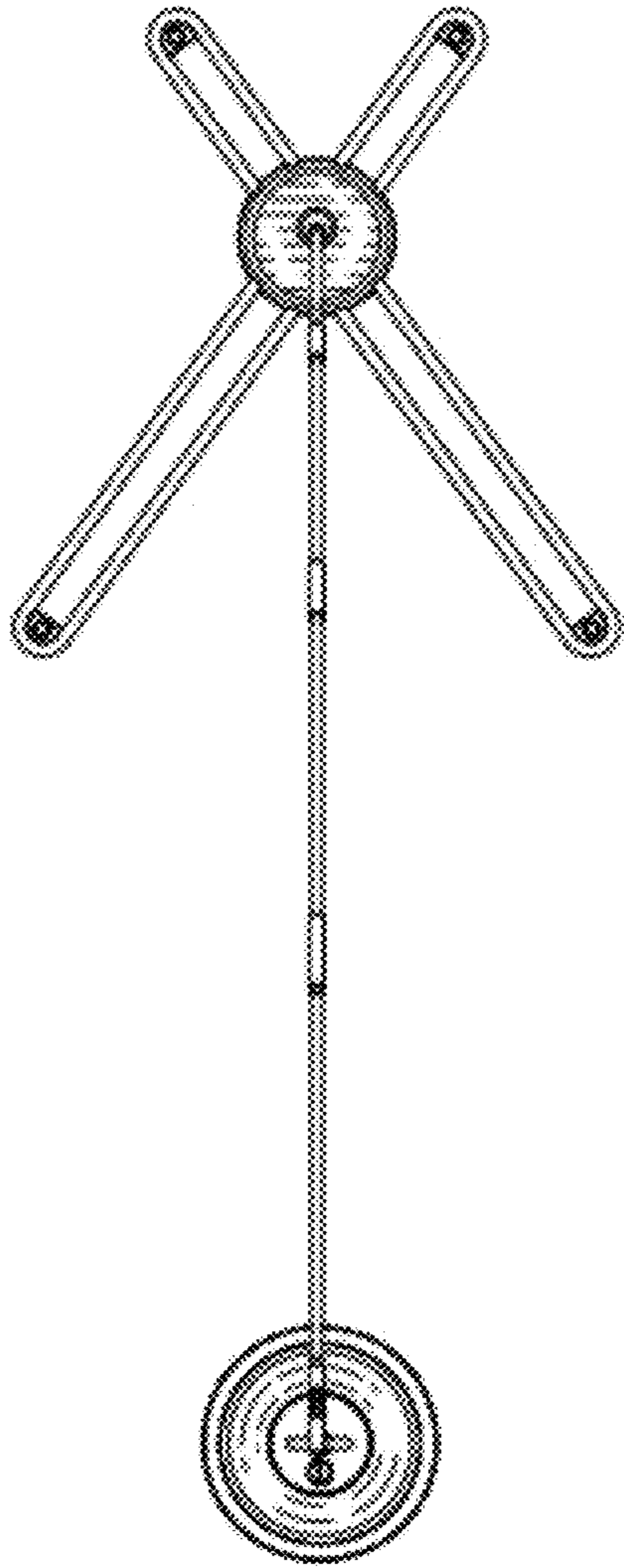


FIG. 6

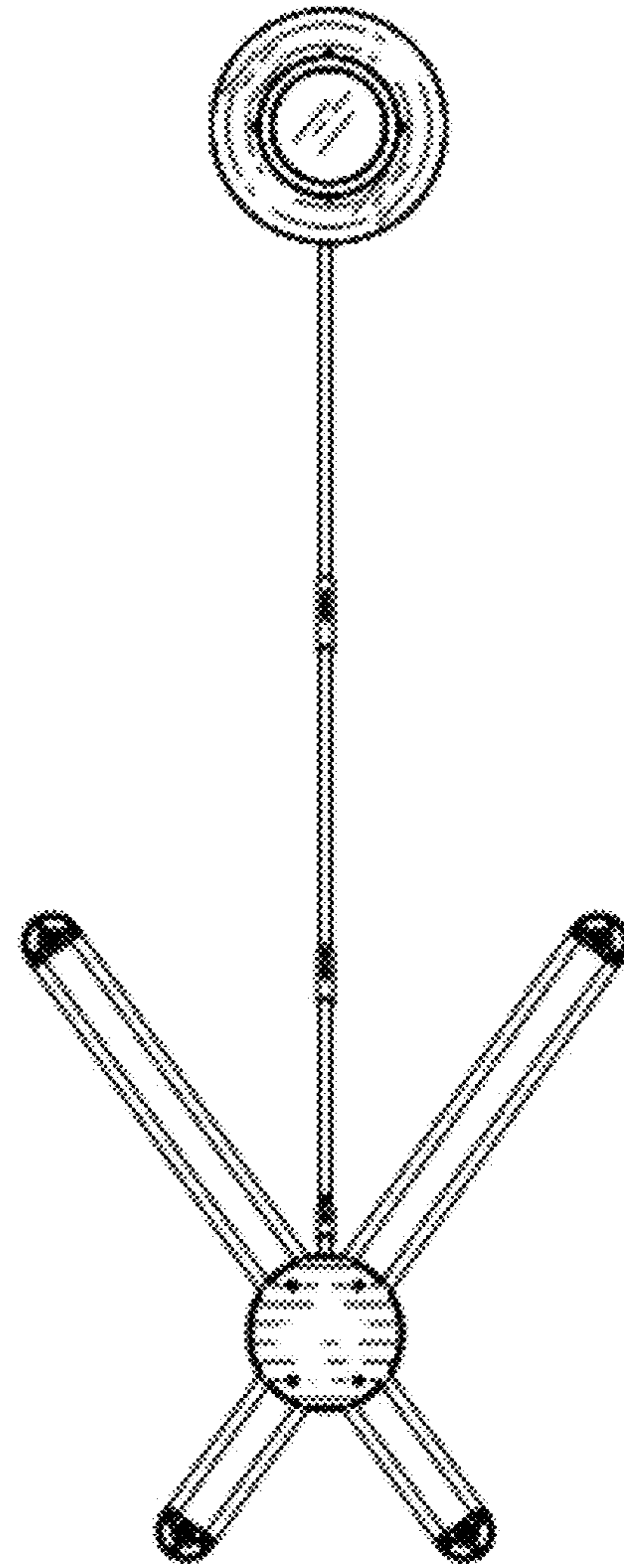


FIG. 7