

US00D668809S

(12) **United States Design Patent**  
**Rashidi**

(10) **Patent No.:** **US D668,809 S**

(45) **Date of Patent:** **\*\* Oct. 9, 2012**

(54) **PRESS FIT RETAINED DOWN LIGHT INCLUDING HEAT SINK, DRIVER AND LED MODULES FITTED WITH SMOOTH REFLECTOR TRIM AND PRESS FIT CLIPS**

D636,922 S *	4/2011	Yoshida et al.	.....	D26/74
D640,819 S *	6/2011	Pan	.....	D26/74
D646,011 S *	9/2011	Rashidi	.....	D26/74
D654,205 S *	2/2012	Rashidi	.....	D26/74

\* cited by examiner

(76) Inventor: **Hamid Rashidi**, Beverly Hills, CA (US)

*Primary Examiner* — Angela J Lee

(\*\*) Term: **14 Years**

(74) *Attorney, Agent, or Firm* — Thomas I. Rozsa

(21) Appl. No.: **29/373,014**

(22) Filed: **Feb. 16, 2011**

(51) **LOC (9) Cl.** ..... **26-05**

(52) **U.S. Cl.** ..... **D26/74**

(58) **Field of Classification Search** ..... D26/74,  
D26/72, 113, 118, 133, 134, 136, 24, 59,  
D26/63, 75, 76, 77, 78, 79, 80, 81, 82, 83,  
D26/84, 85, 138; 362/126, 145, 146, 147,  
362/148, 150, 151, 152, 153, 153.1, 218,  
362/217.05, 217.06, 217.07, 294, 296.01,  
362/296.07, 296.08, 311.01, 311.07, 311.09,  
362/345, 364, 365, 366, 373; D23/379

See application file for complete search history.

(56) **References Cited**

U.S. PATENT DOCUMENTS

D326,537 S *	5/1992	Gattari	.....	D26/74
D380,852 S *	7/1997	Lecluze	.....	D26/118
D397,490 S *	8/1998	Lecluze	.....	D26/118
D474,298 S *	5/2003	Lecluze	.....	D26/74
D544,979 S *	6/2007	Hartmann et al.	.....	D26/74
D591,894 S *	5/2009	Flank	.....	D26/74
D596,330 S *	7/2009	Pickard et al.	.....	D26/74
D606,696 S *	12/2009	Chen et al.	.....	D26/74
D609,840 S *	2/2010	Tang	.....	D26/74

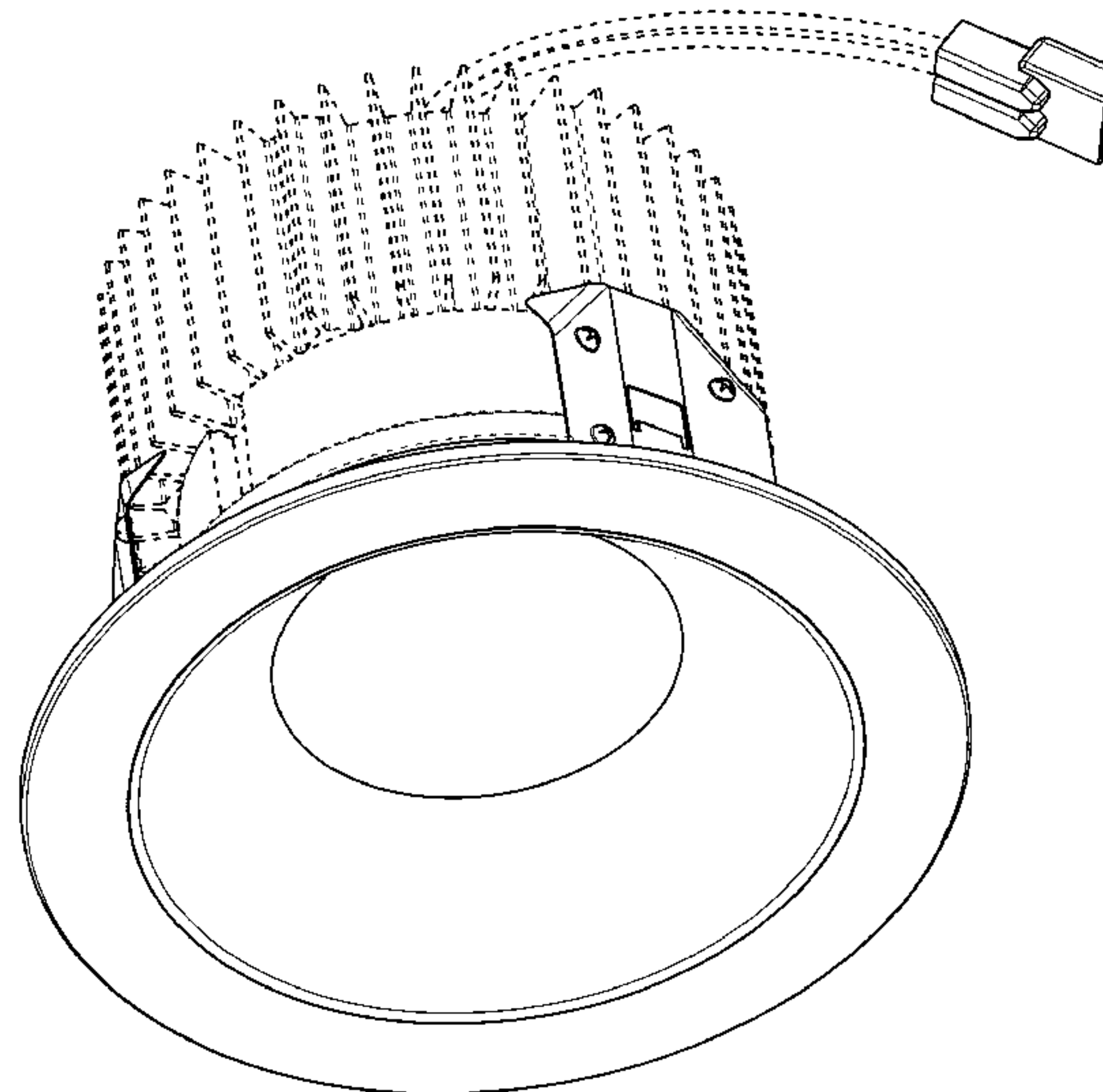
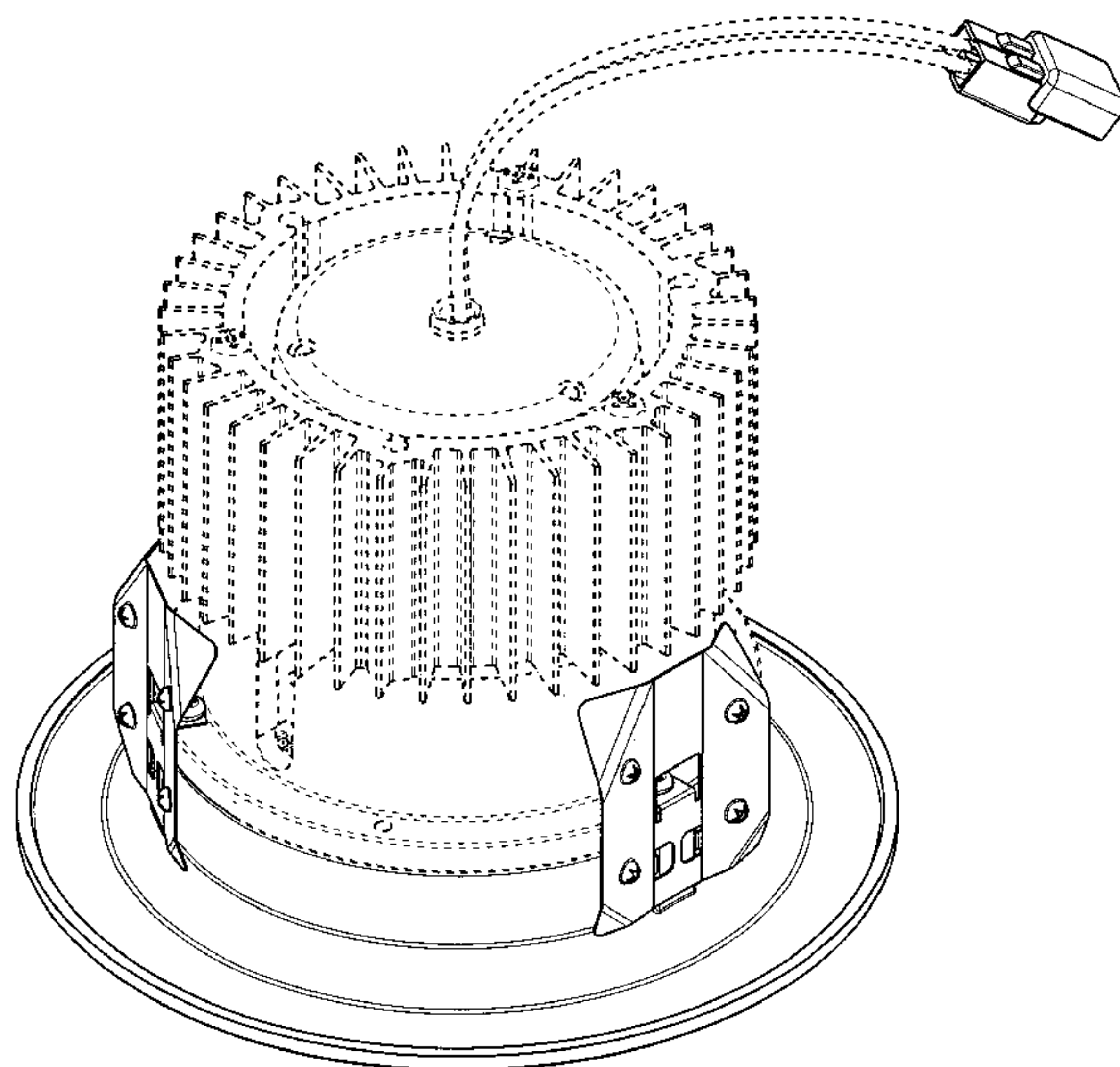
(57) **CLAIM**

The ornamental design for a press fit retained down light including heat sink, driver and LED modules fitted with smooth reflector trim and press fit clips, as shown and described.

**DESCRIPTION**

FIG. 1 is a top perspective view of the press fit retained down light including heat sink, driver and LED modules fitted with smooth reflector trim and press fit clips, showing my design; FIG. 2 is a front elevational view thereof; FIG. 3 is a left side elevational view thereof; FIG. 4 is a right side elevational view thereof; FIG. 5 is a bottom plan view thereof; FIG. 6 is a top plan view thereof; FIG. 7 is a rear elevational view thereof; and, FIG. 8 is a bottom perspective view thereof. The broken lines shown in the drawings represent portions of the press fit retained down light including heat sink, driver and LED modules fitted with smooth reflector trim and press fit clips that form no part of the claimed design.

**1 Claim, 8 Drawing Sheets**



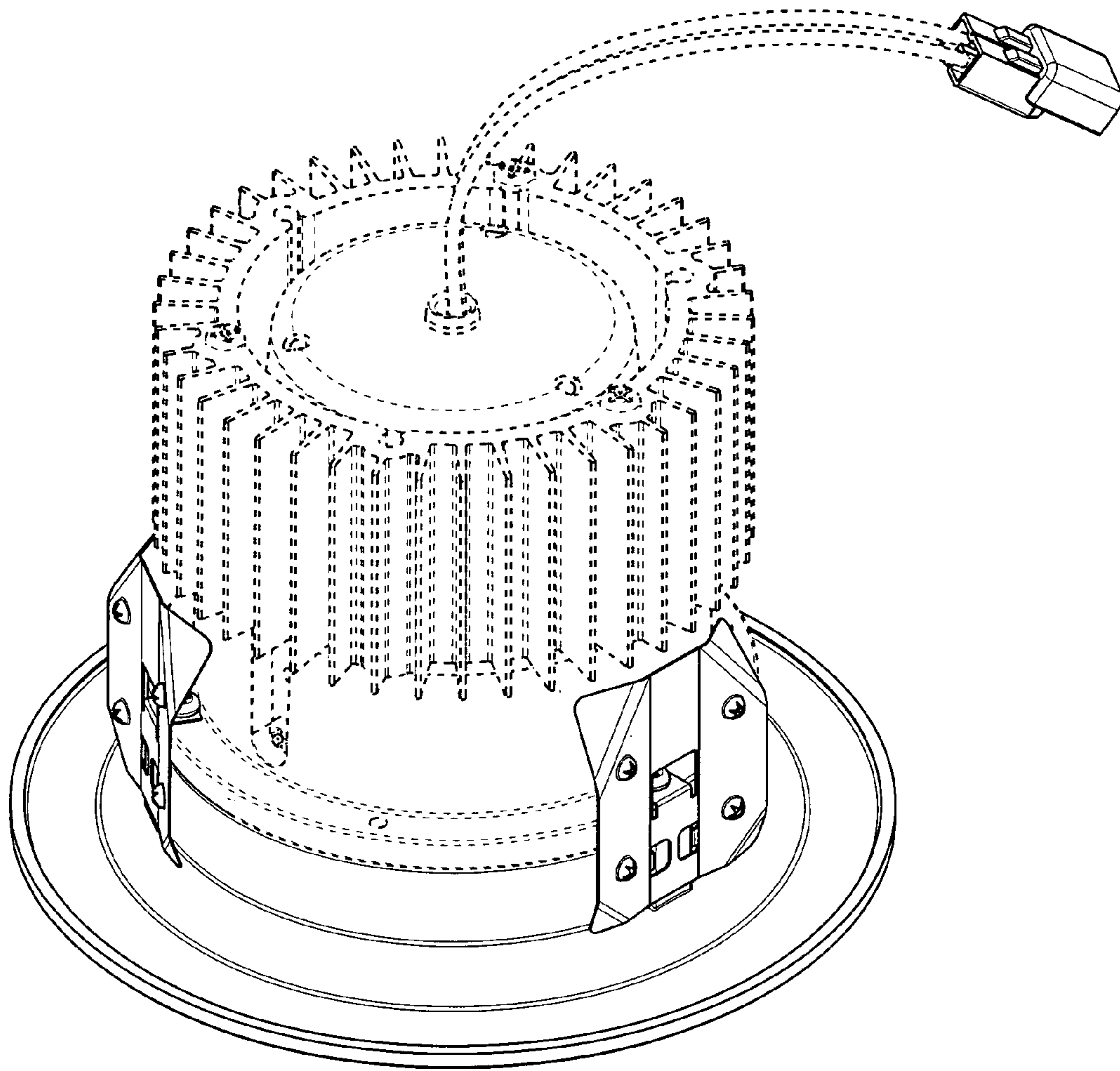


Fig. 1

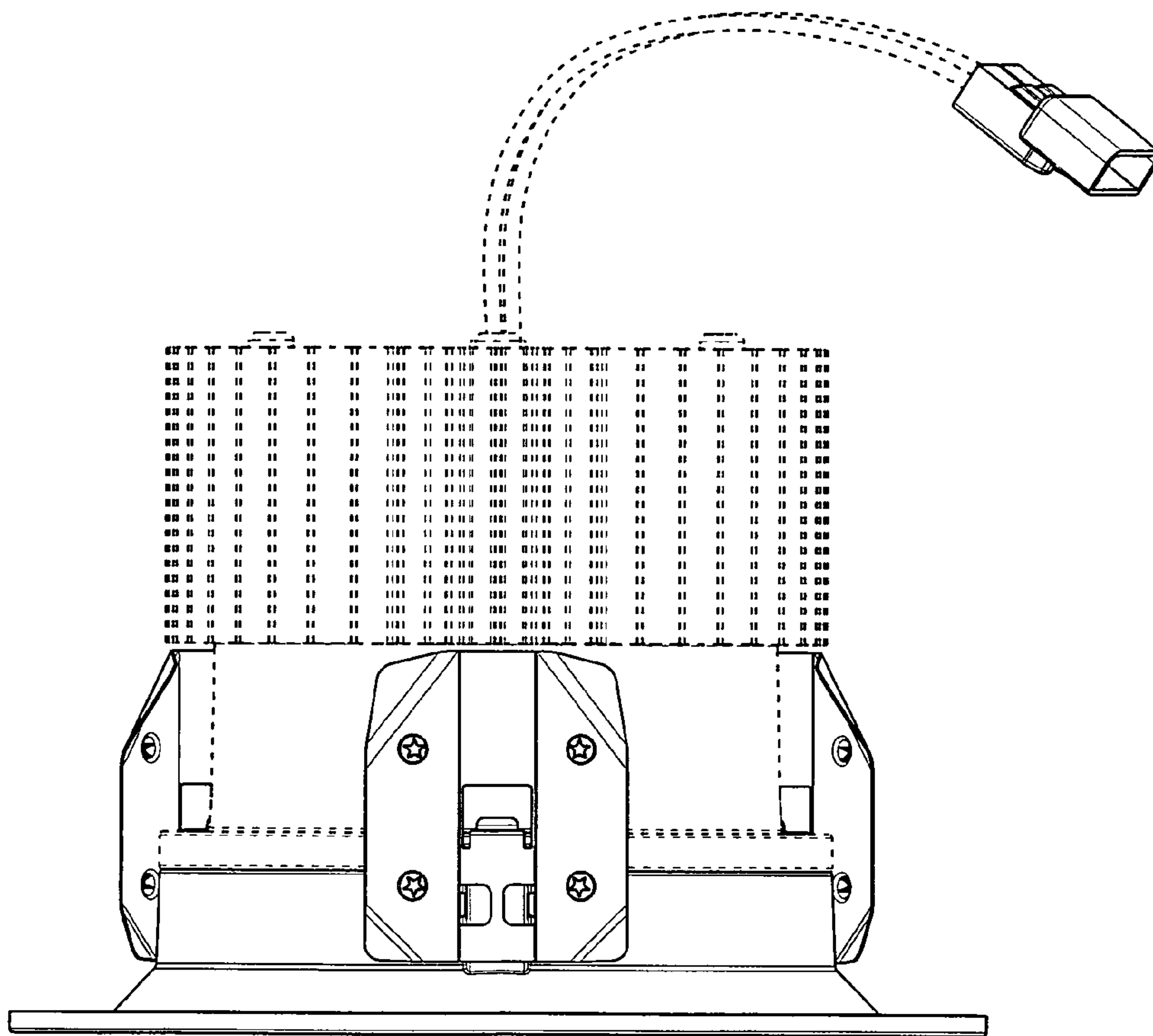


Fig.2

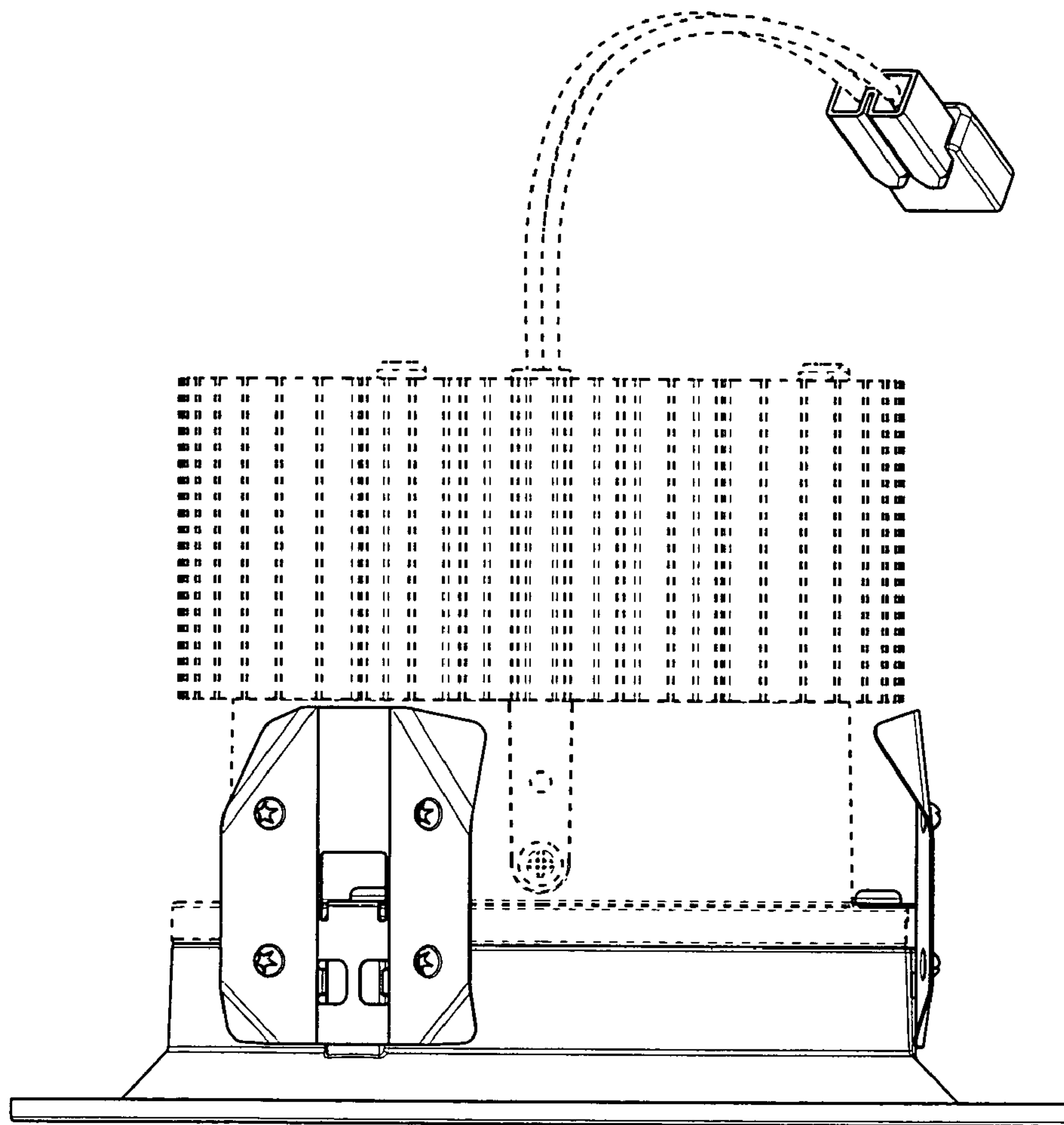


Fig. 3



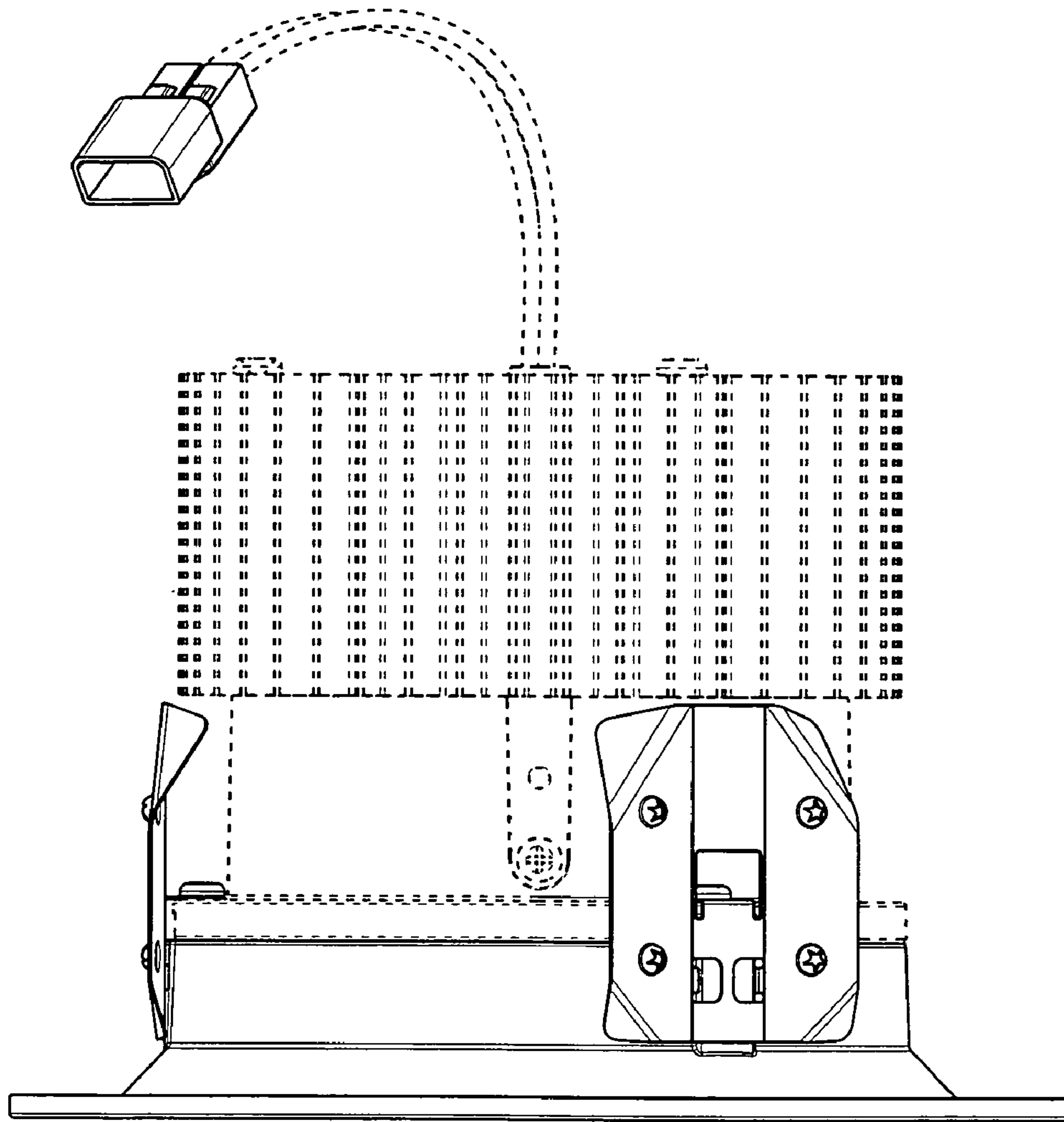


Fig.4

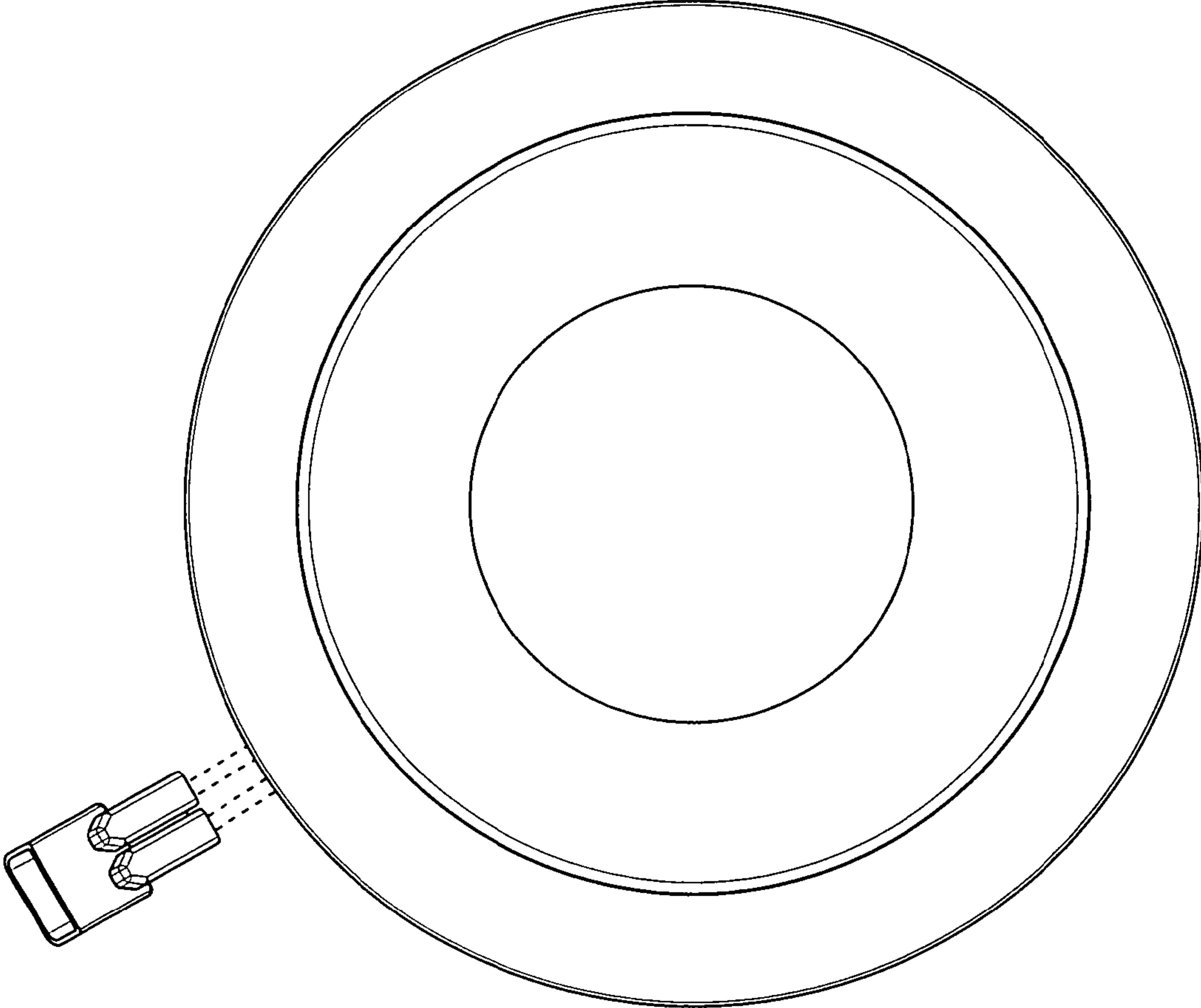


Fig. 5

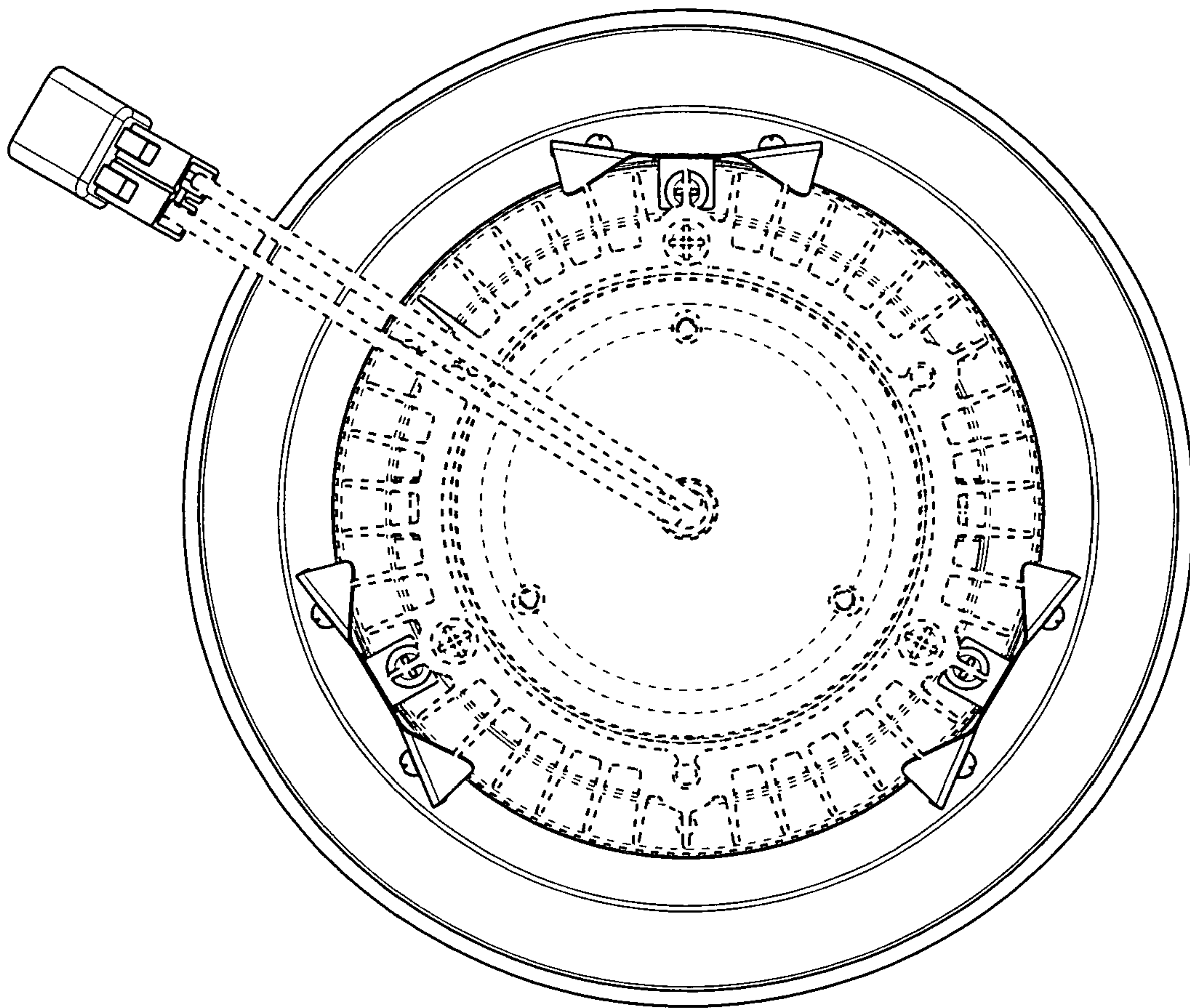


Fig.6

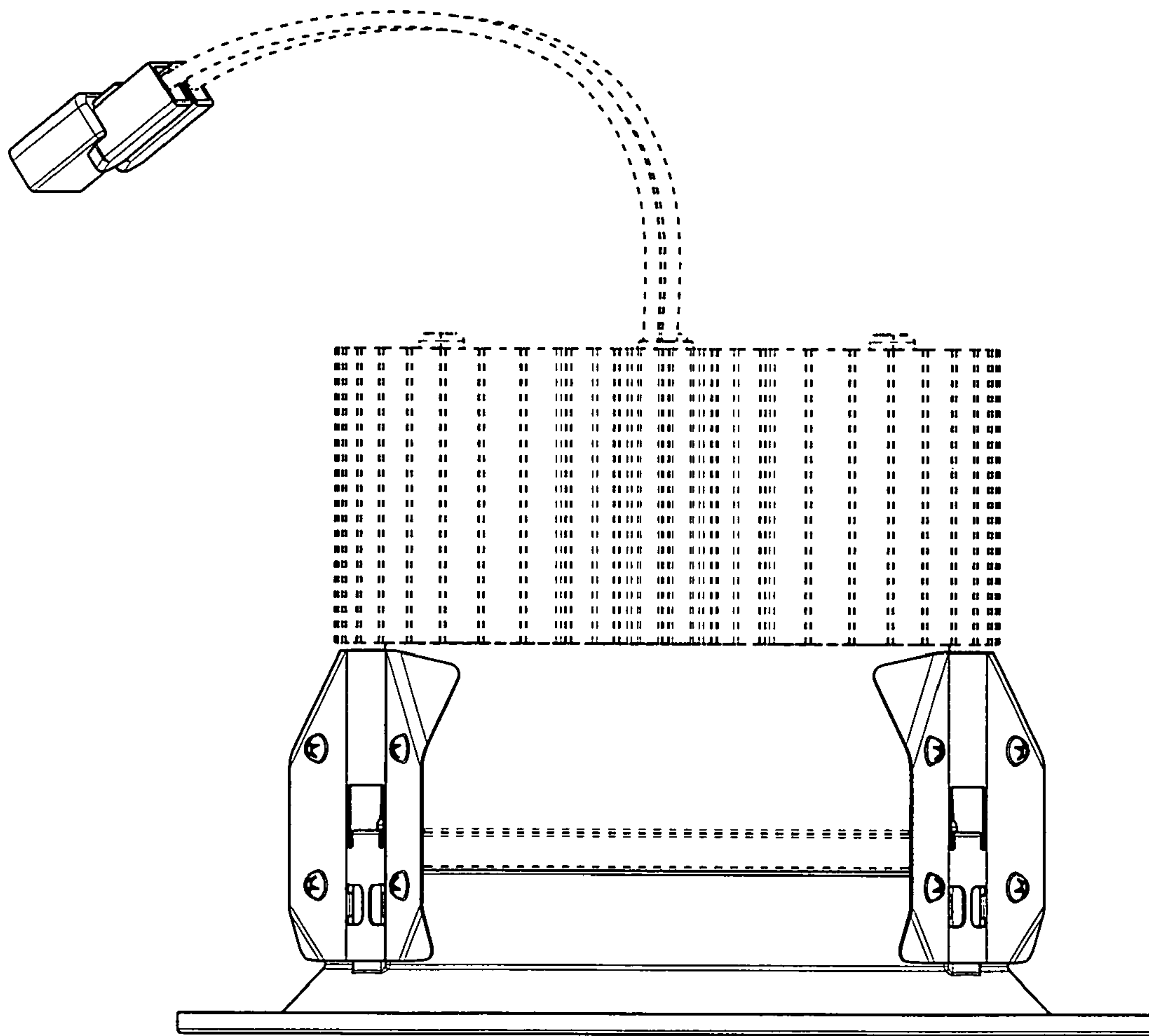


Fig.7



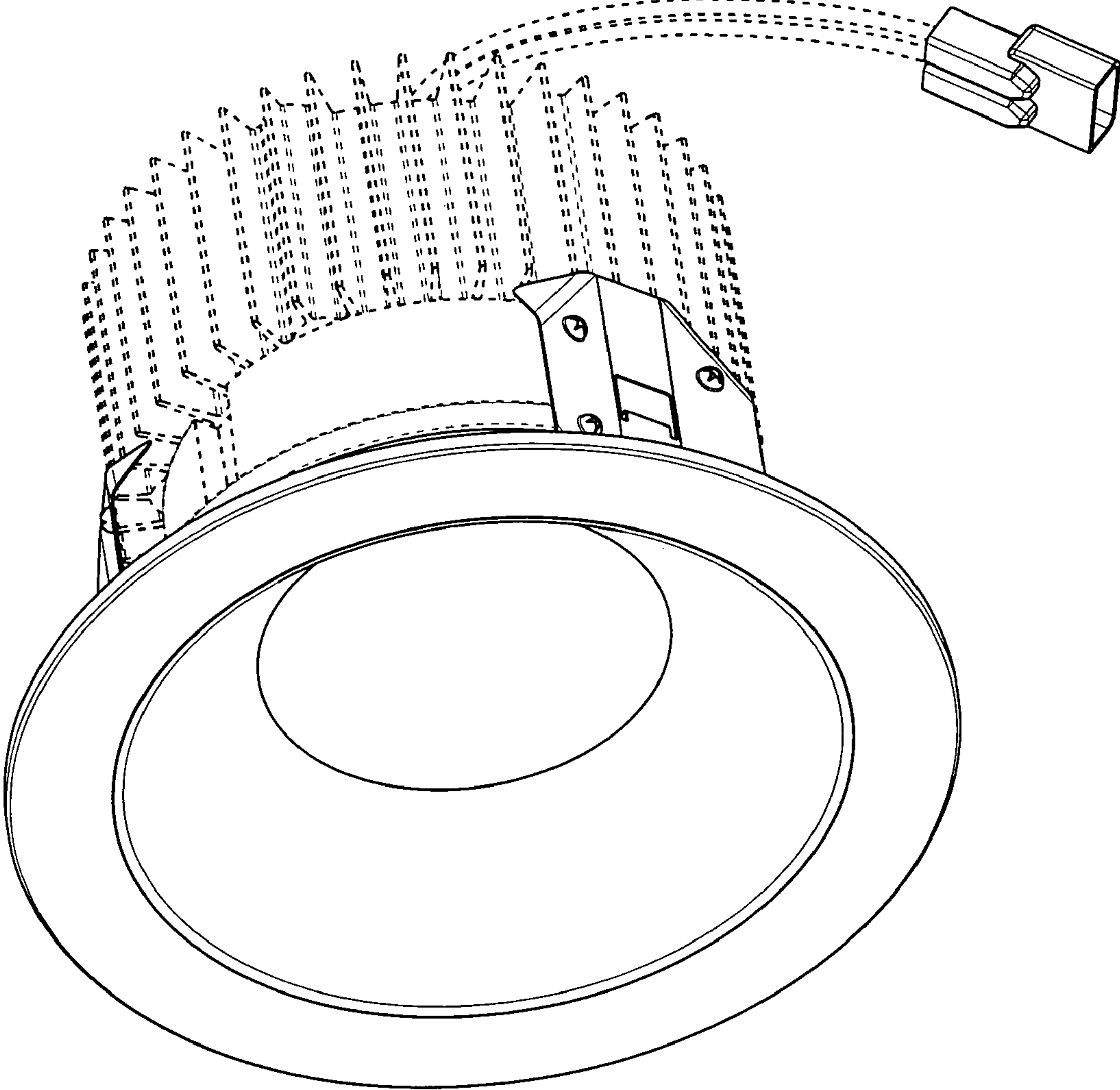


Fig. 8