



US00D668808S

(12) **United States Design Patent**
Hoover et al.

(10) **Patent No.:** **US D668,808 S**

(45) **Date of Patent:** **** Oct. 9, 2012**

(54) **FLEXIBLE TASK LIGHT**

Primary Examiner — Susan M Lee

Assistant Examiner — Linda G. Brooks

(75) Inventors: **Brandon Cory Hoover**, Cornelius, NC (US); **James Michael Burry**, Troutman, NC (US)

(73) Assignee: **BISS Product Development, LLC**, Mooresville, NC (US)

(57) **CLAIM**

The ornamental design for a flexible task light, as shown and described.

(**) Term: **14 Years**

(21) Appl. No.: **29/392,976**

DESCRIPTION

(22) Filed: **May 27, 2011**

(51) **LOC (9) Cl.** **26-05**

(52) **U.S. Cl.** **D26/60**

(58) **Field of Classification Search** D26/60–66, D26/37–50; 362/183–208, 157, 158, 98, 362/99, 174–177, 211, 213, 215, 640, 268, 362/227, 232, 249.02, 249.03, 249.04, 249.07, 362/249.08, 249.09, 249.1, 249.11, 647, 362/269, 270, 257, 274, 275, 277, 278, 280–285, 362/287, 288, 449, 800, 396

See application file for complete search history.

FIG. 1 is a top plan view of the flexible task light
FIG. 2 is a bottom plan view thereof
FIG. 3 is a right side view thereof
FIG. 4 is a top perspective view thereof
FIG. 5 is a bottom perspective view thereof
FIG. 6 is a top perspective view thereof in a first alternate configuration
FIG. 7 is a top perspective view thereof in a second alternate configuration
FIG. 8 is a top perspective view thereof in a third alternate configuration
FIG. 9 is a top perspective view thereof in a fourth alternate configuration
FIG. 10 is a top perspective view thereof in a fifth alternate configuration
FIG. 11 is a top perspective view thereof in a sixth alternate configuration
FIG. 12 is a top perspective view thereof in a seventh alternate configuration
FIG. 13 is a bottom perspective view thereof in a eighth alternate configuration; and,
FIG. 14 is a top perspective view thereof in a ninth alternate configuration.
The features shown in broken lines are for the purpose of illustrating environmental structure and form no part of the claimed design.

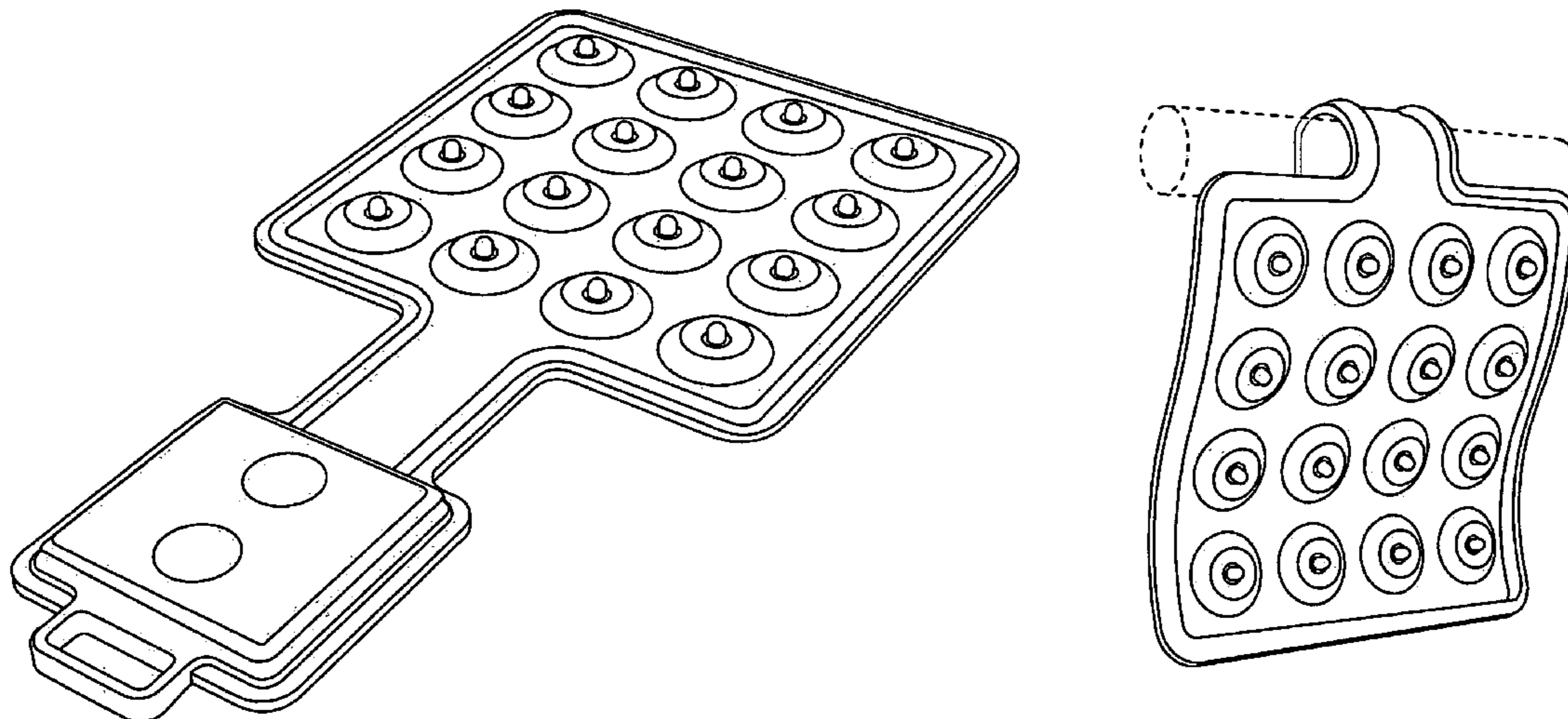
(56) **References Cited**

U.S. PATENT DOCUMENTS

D293,029	S	*	12/1987	Shwisha	D26/60
6,657,381	B1	*	12/2003	Arutaki	313/512
D544,388	S	*	6/2007	Chisholm	D10/114.2
D566,311	S	*	4/2008	Schnell	D26/39
D580,577	S	*	11/2008	Wang et al.	D26/63
D590,531	S	*	4/2009	Ma	D26/60
7,572,031	B2	*	8/2009	Schultz et al.	362/249.02
D629,131	S	*	12/2010	Seal et al.	D26/60
D630,785	S	*	1/2011	Kim et al.	D26/63
D631,179	S	*	1/2011	Kim et al.	D26/63
7,918,585	B2	*	4/2011	Tucker	362/249.05
7,918,590	B1	*	4/2011	Li et al.	362/311.02
D645,184	S	*	9/2011	Zhan	D26/63

* cited by examiner

1 Claim, 4 Drawing Sheets



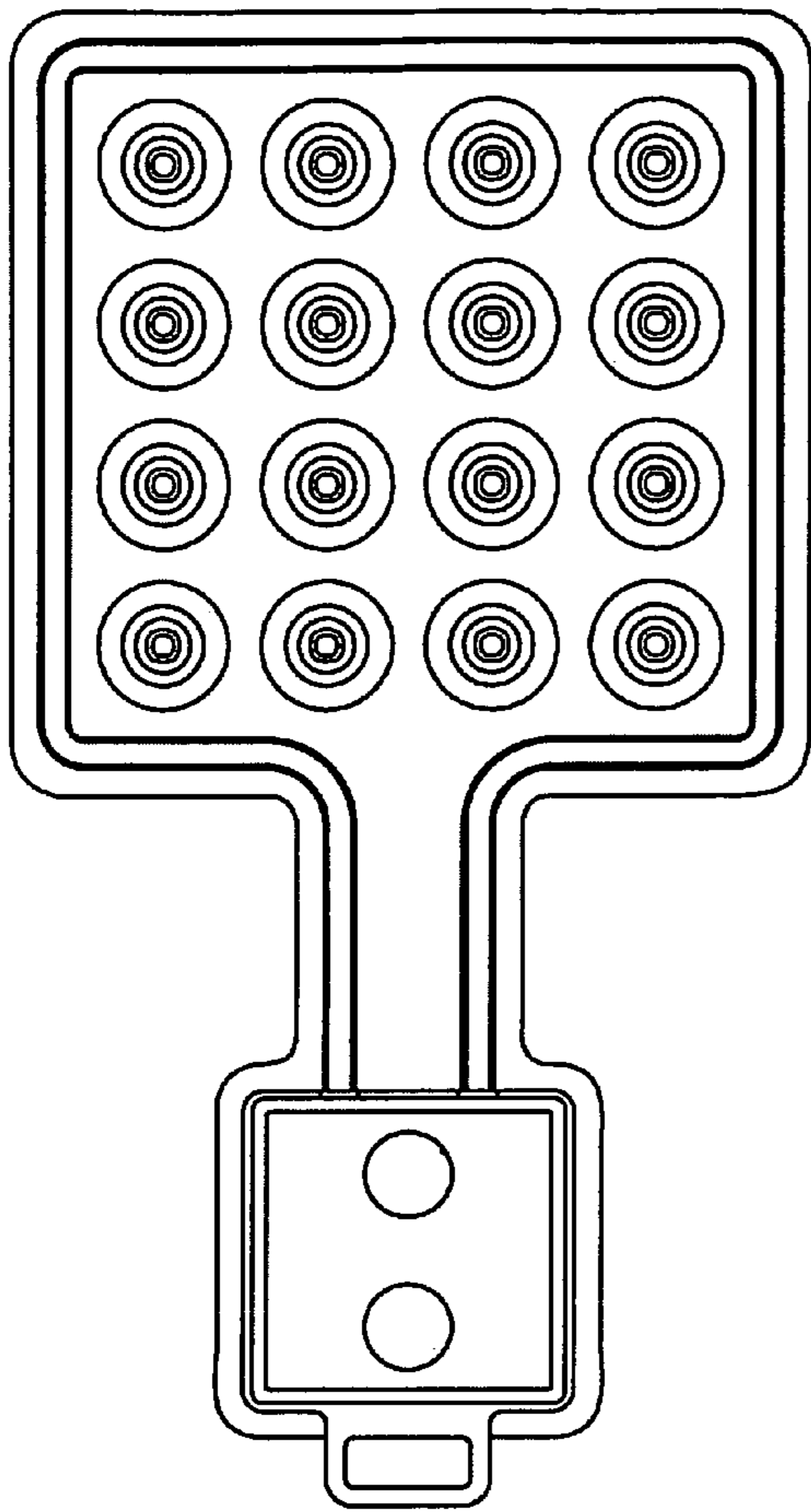


FIG. 1

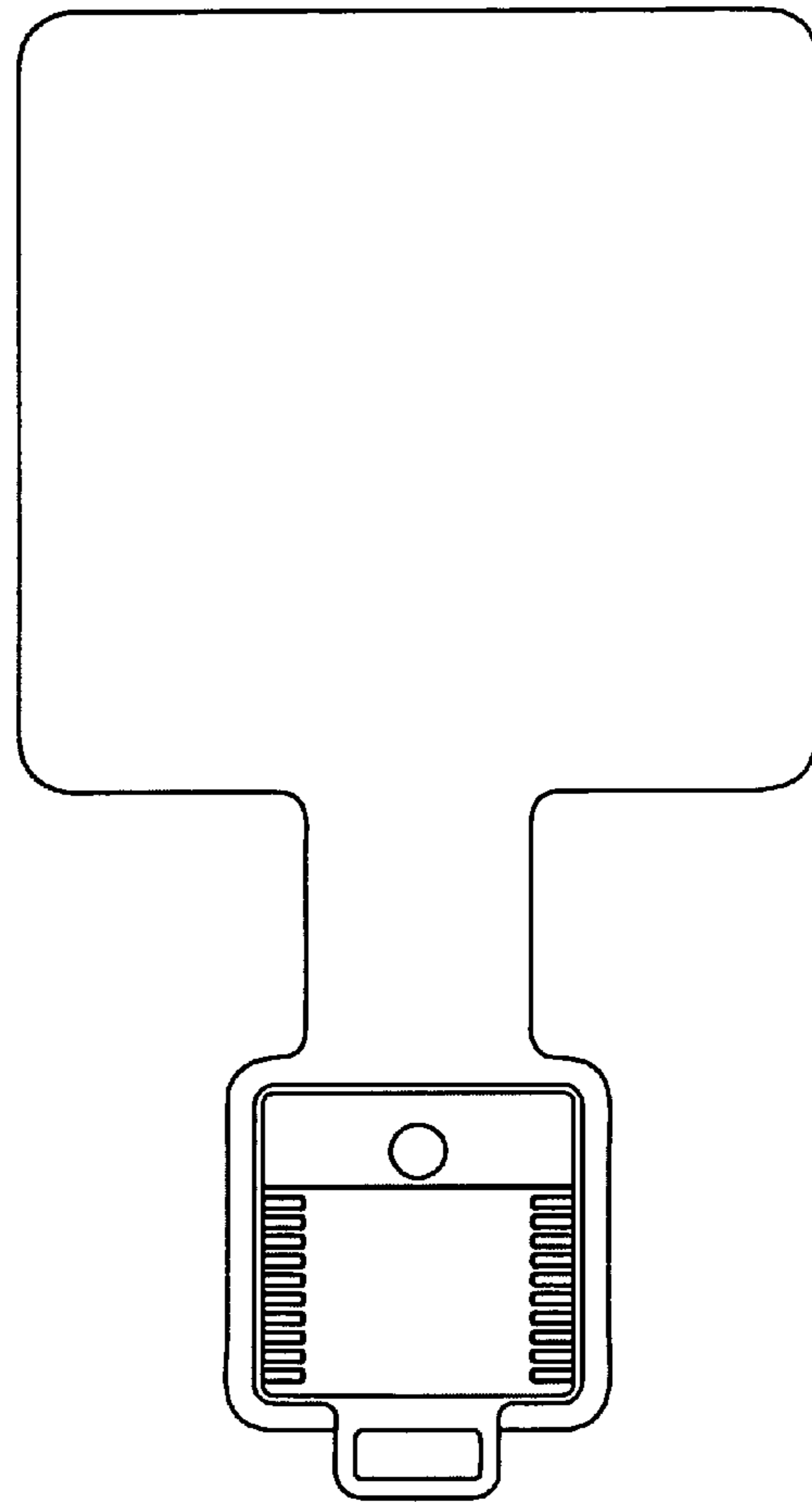


FIG. 2



FIG. 3

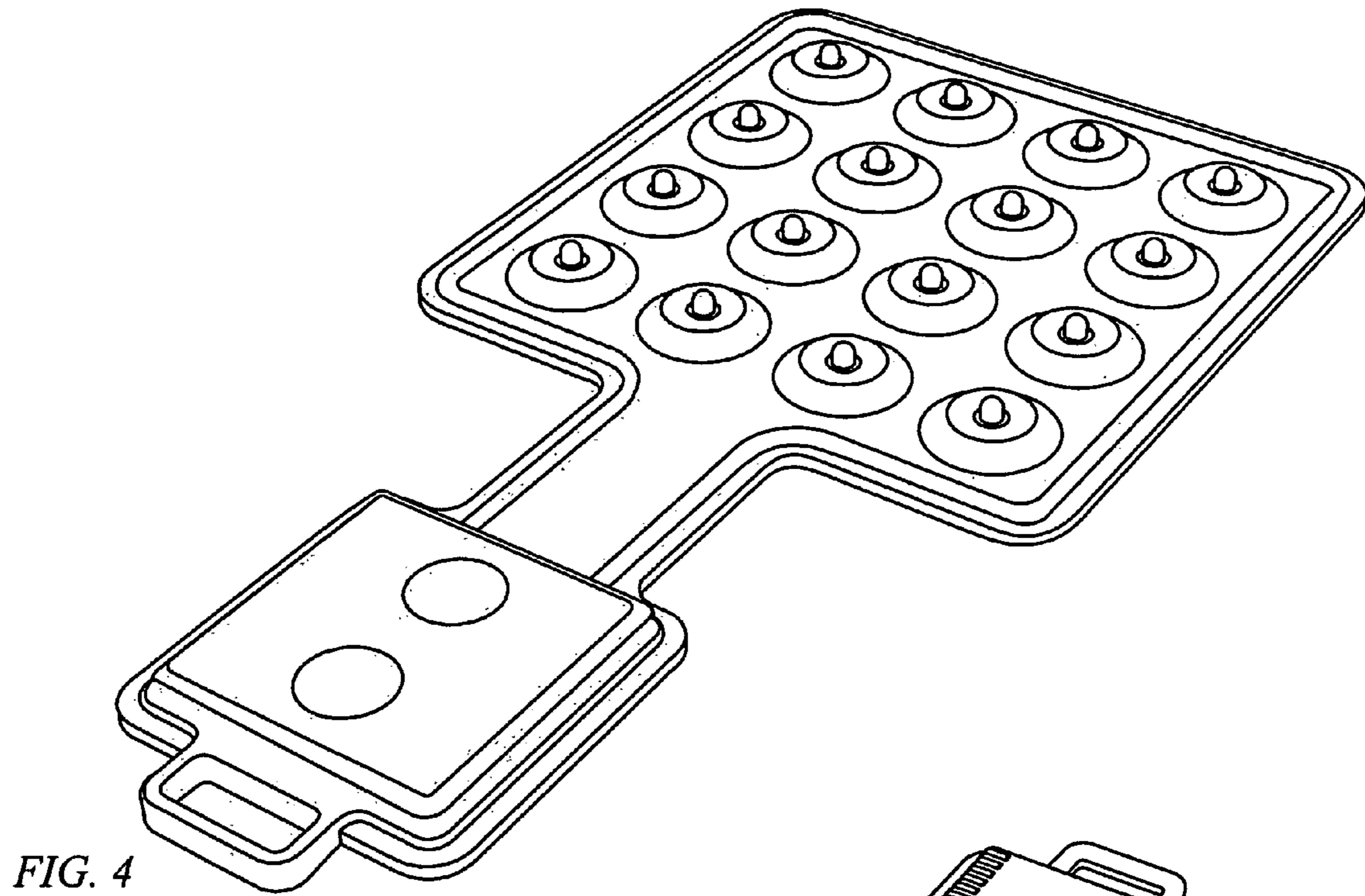


FIG. 4

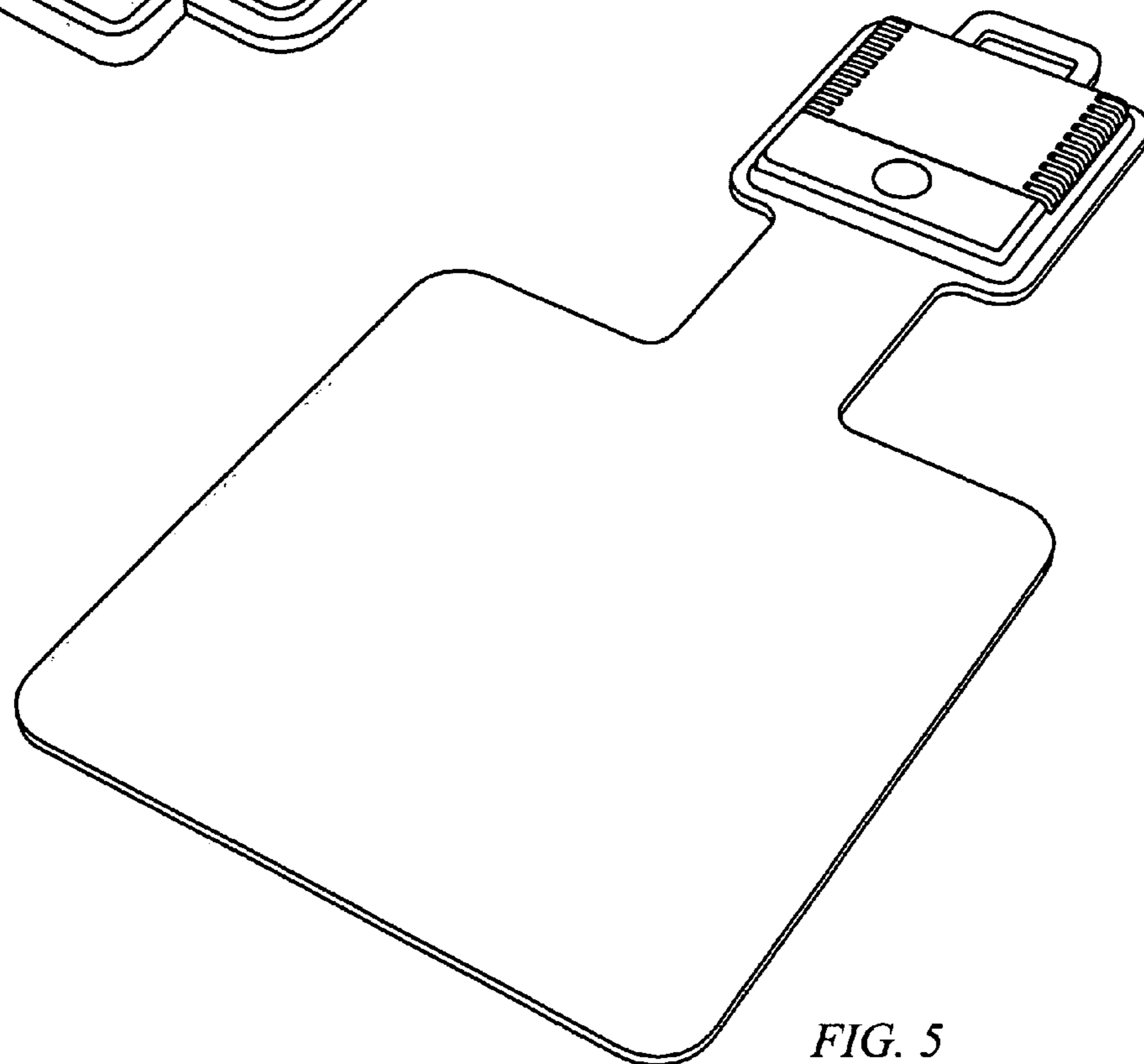


FIG. 5

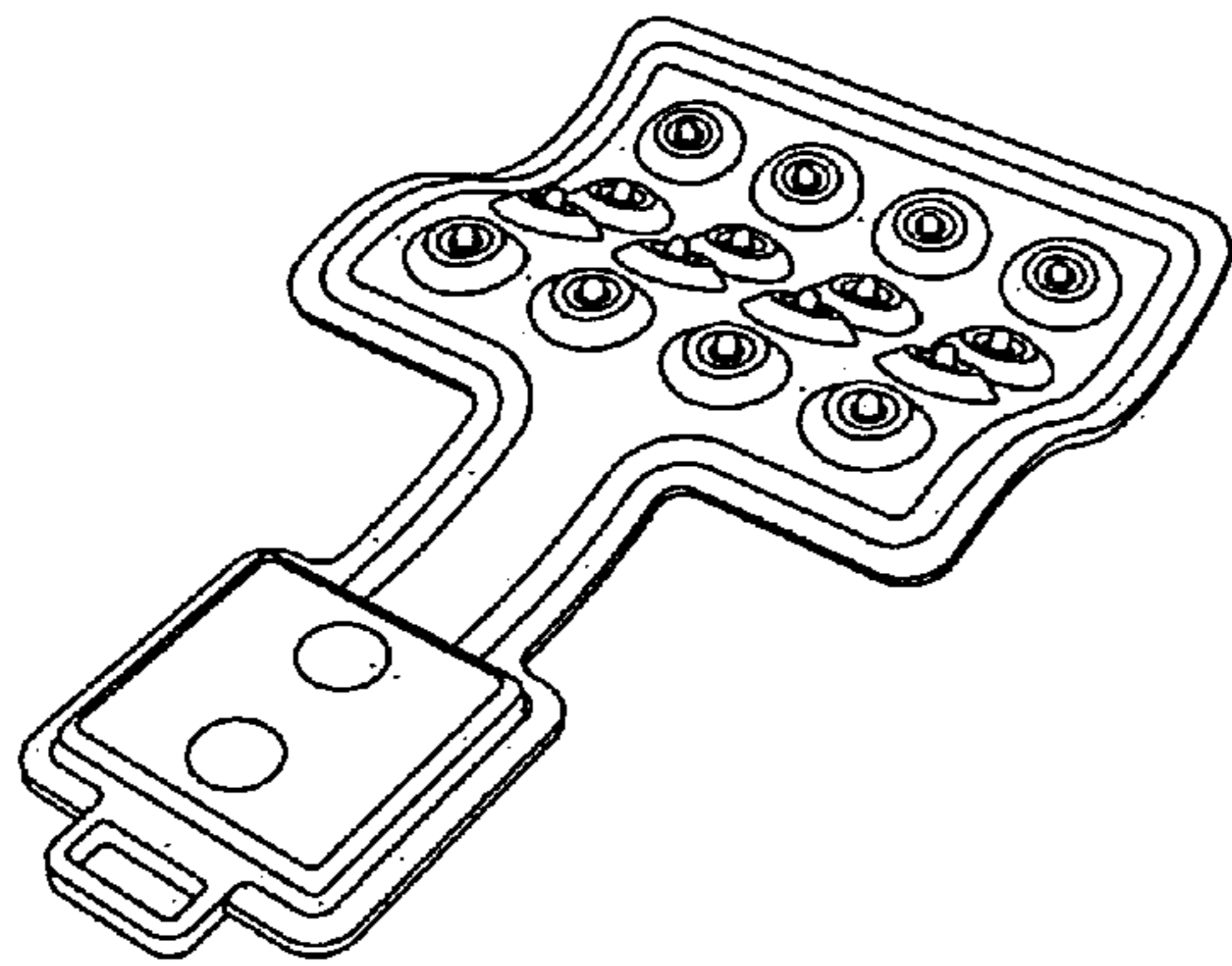


FIG. 6

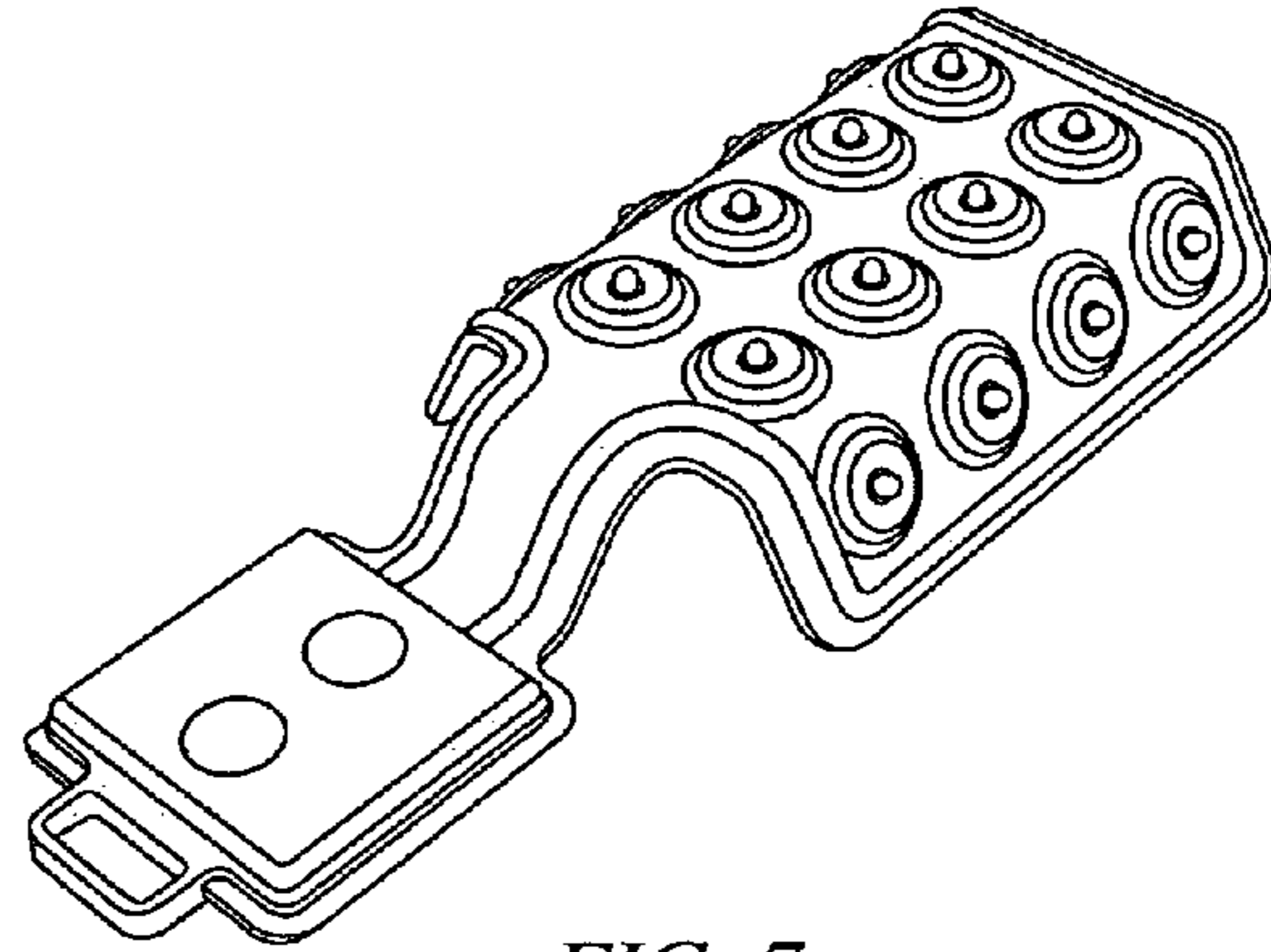


FIG. 7

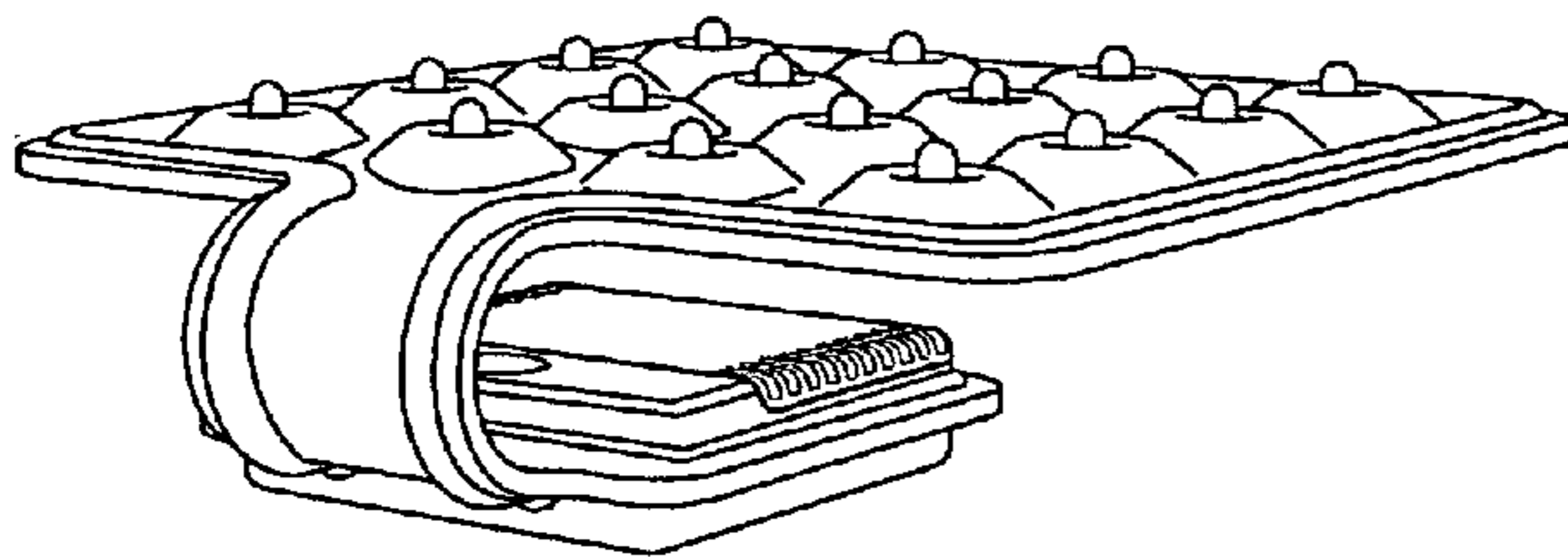


FIG. 8

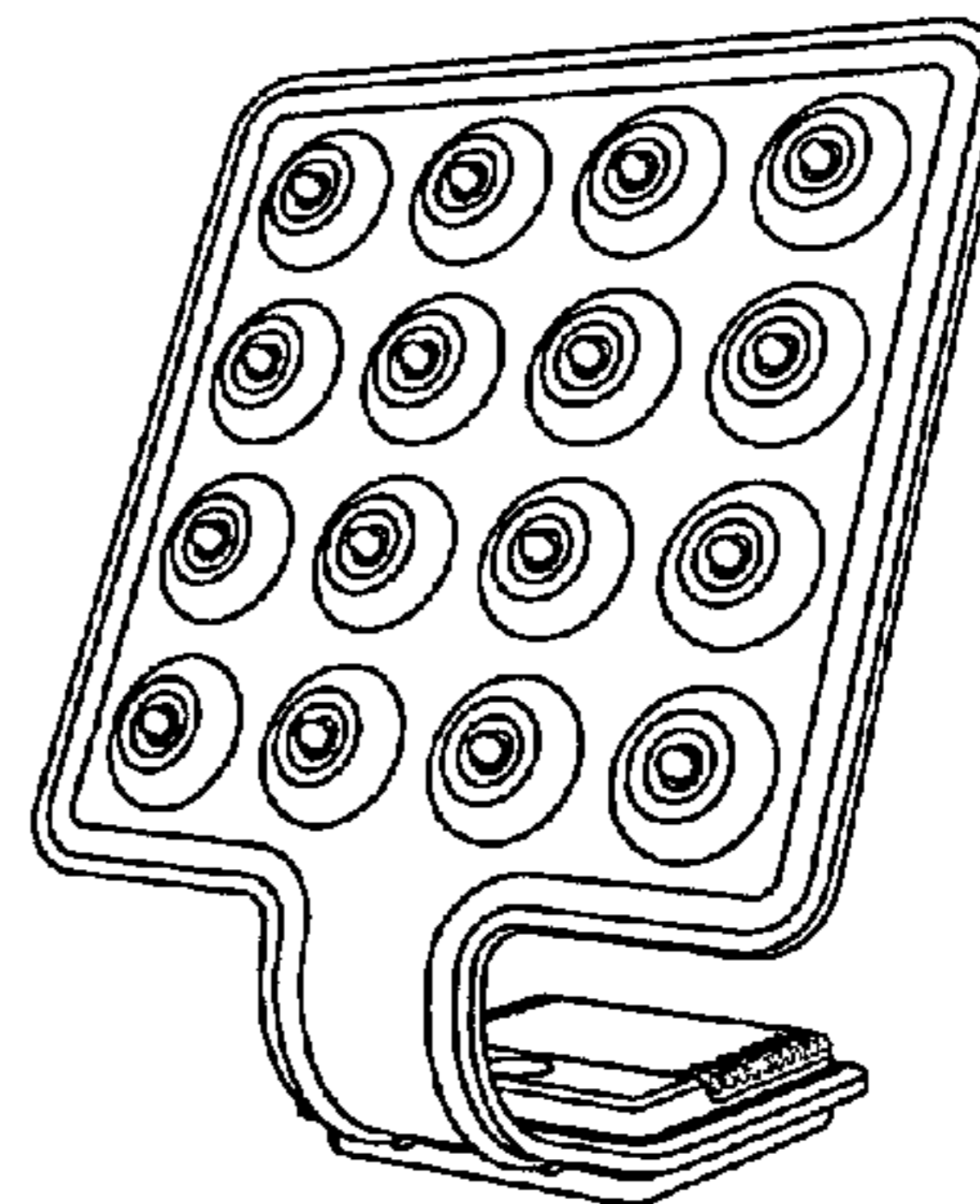


FIG. 9

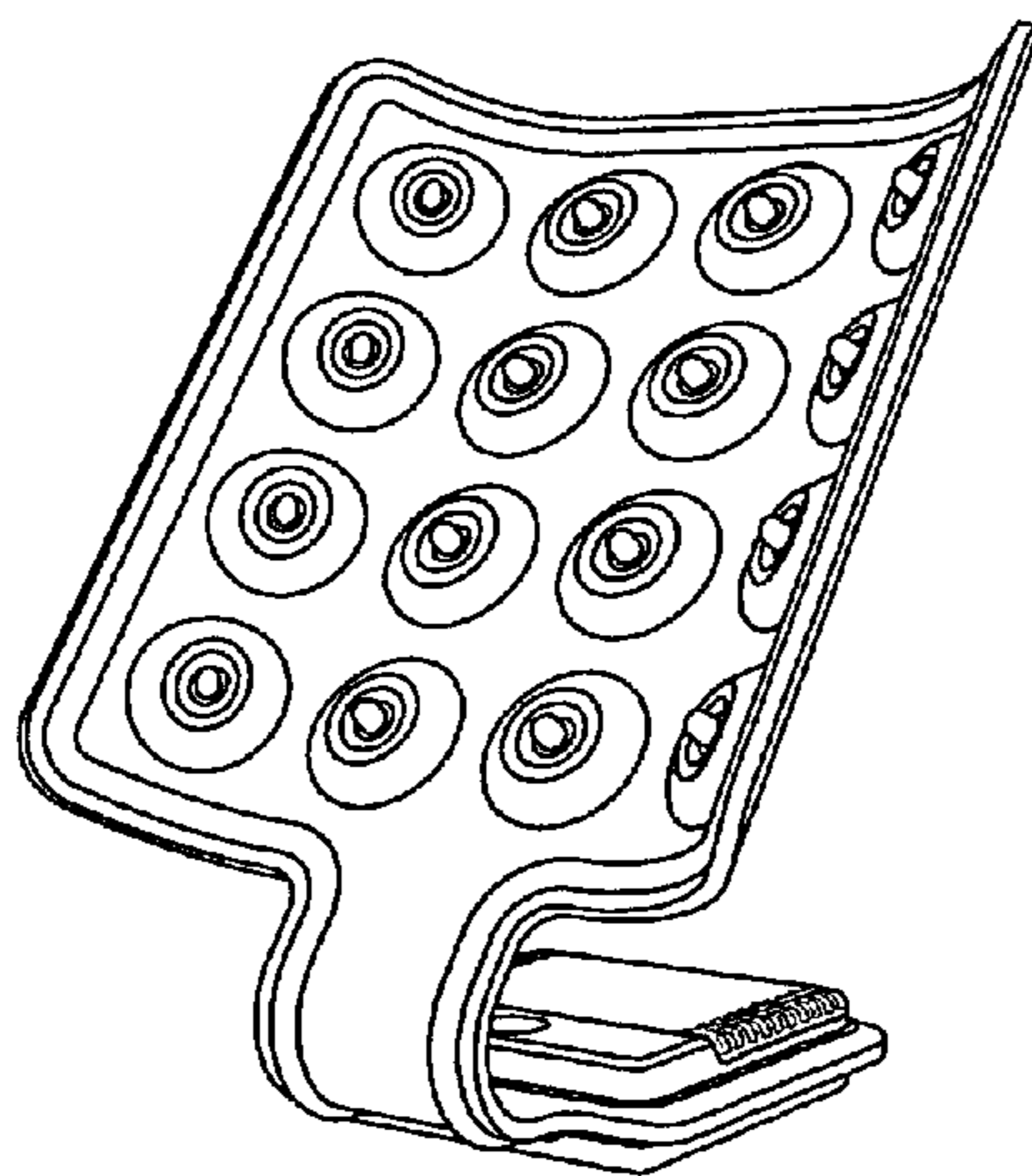


FIG. 10

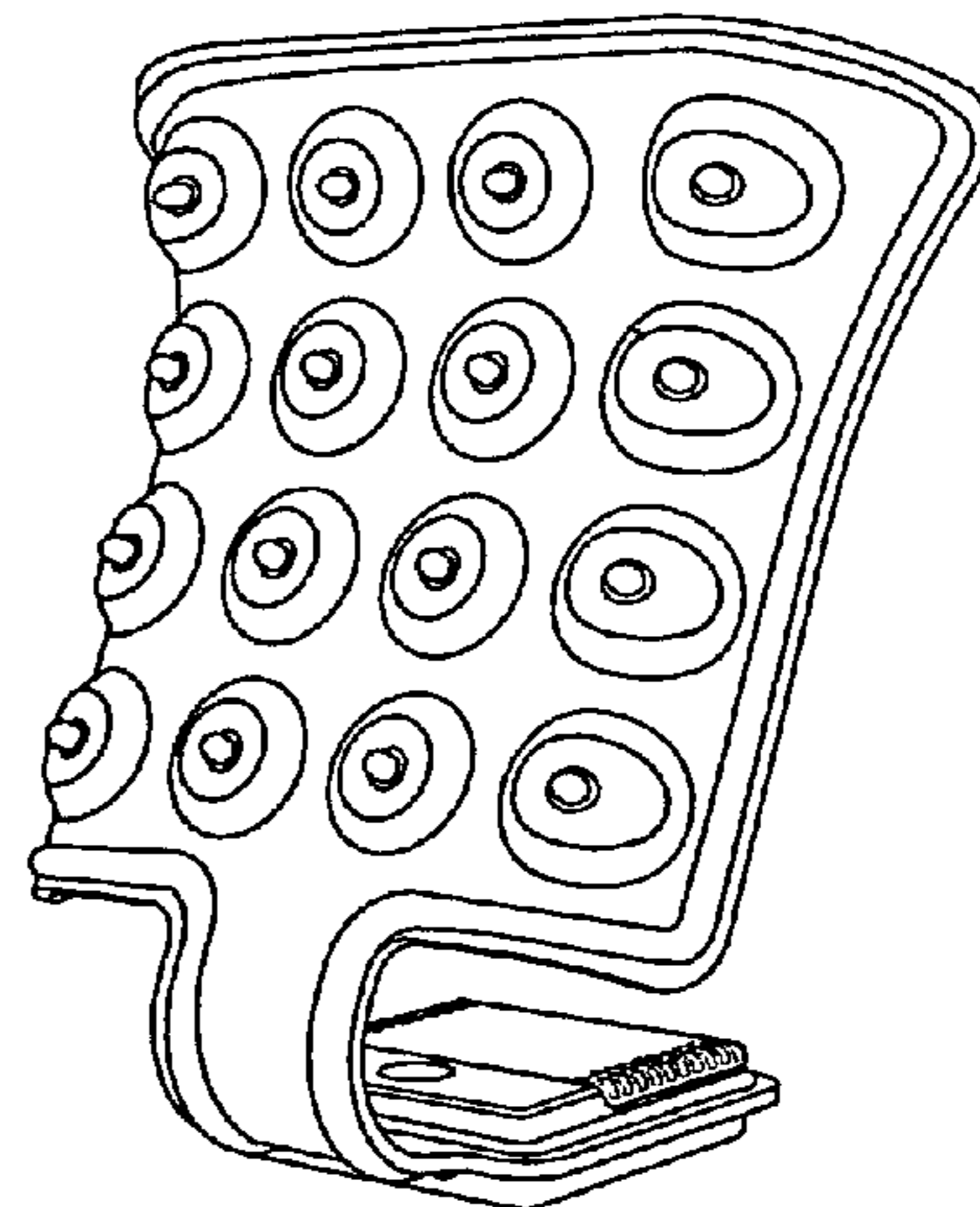


FIG. 11

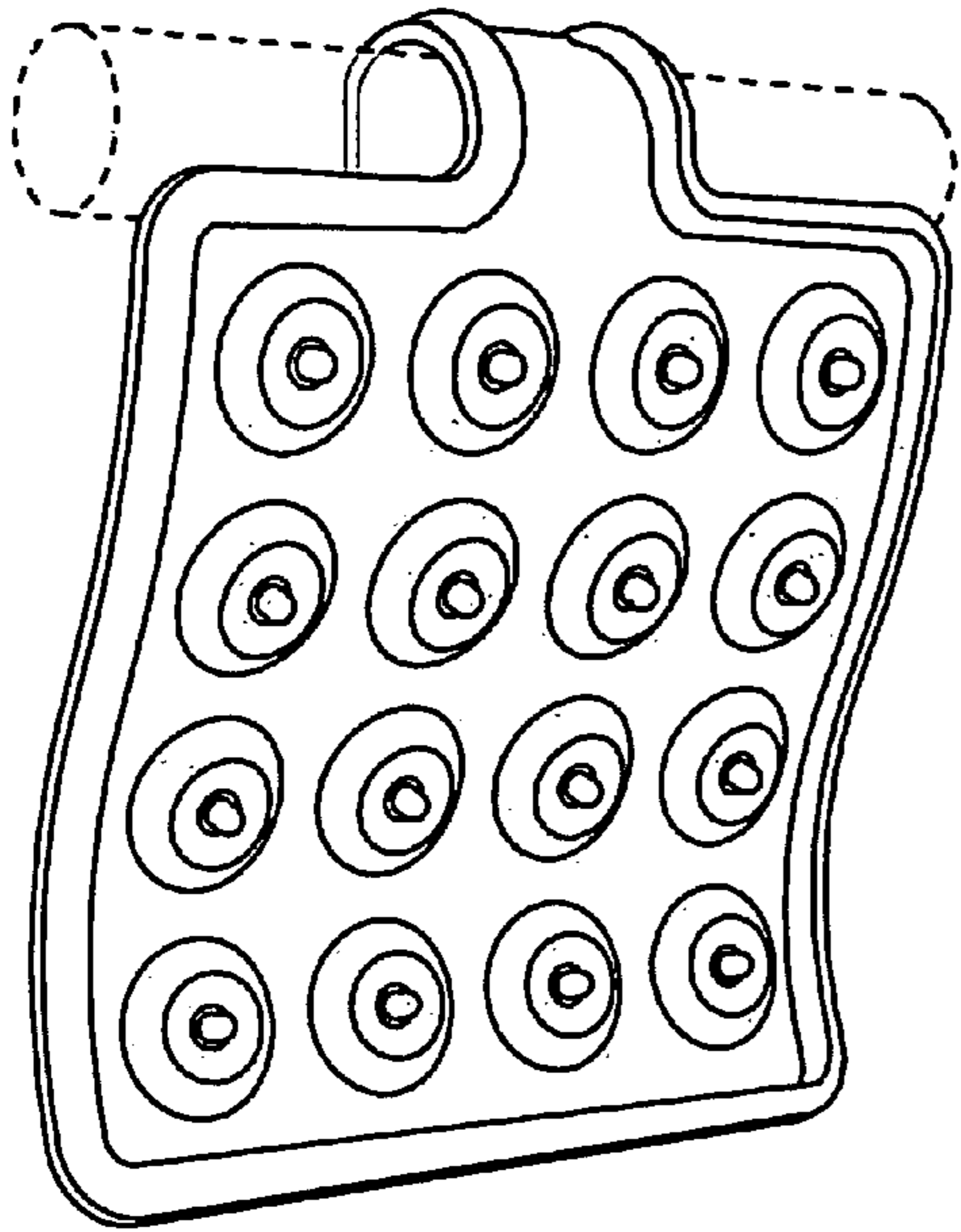


FIG. 12

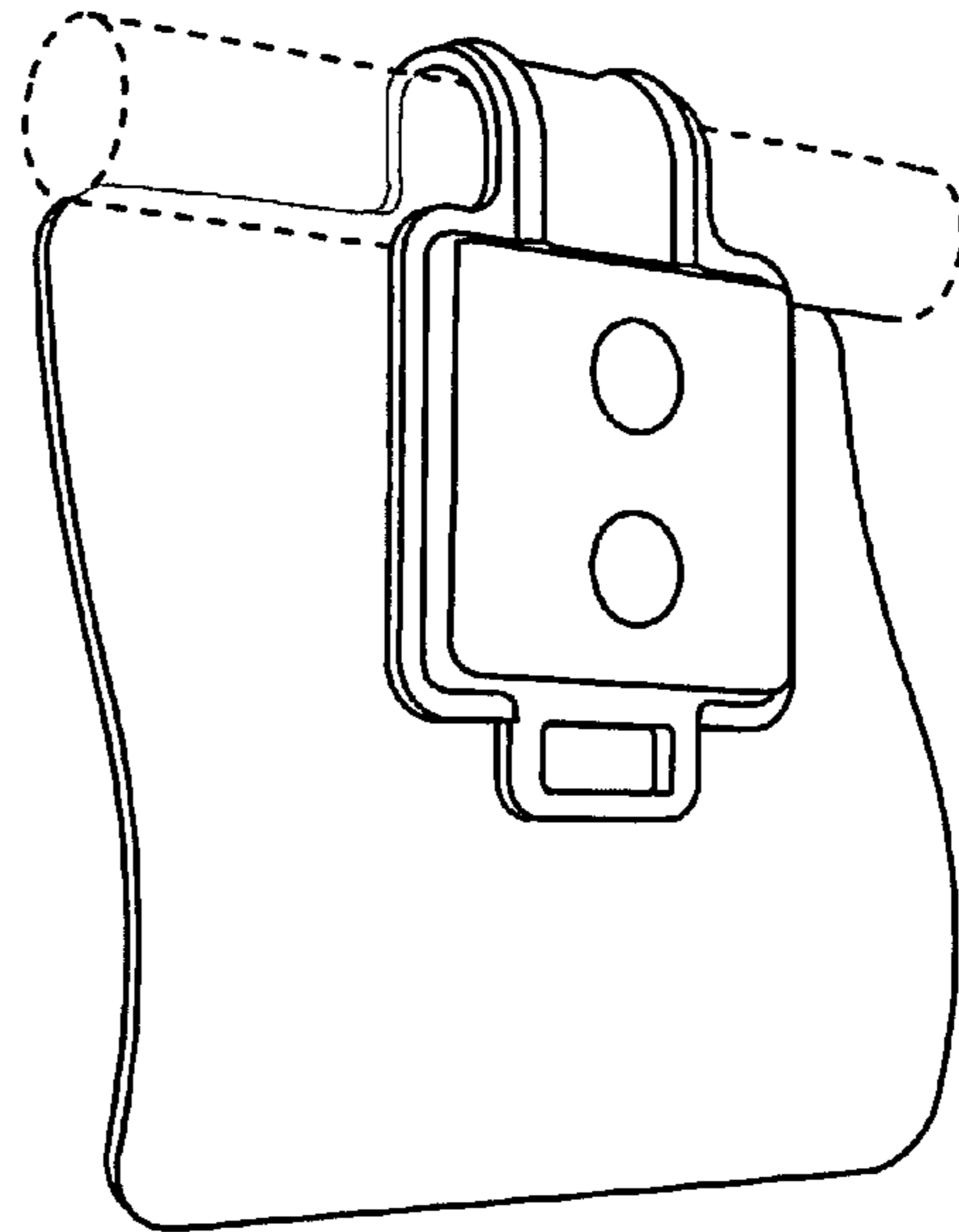


FIG. 13

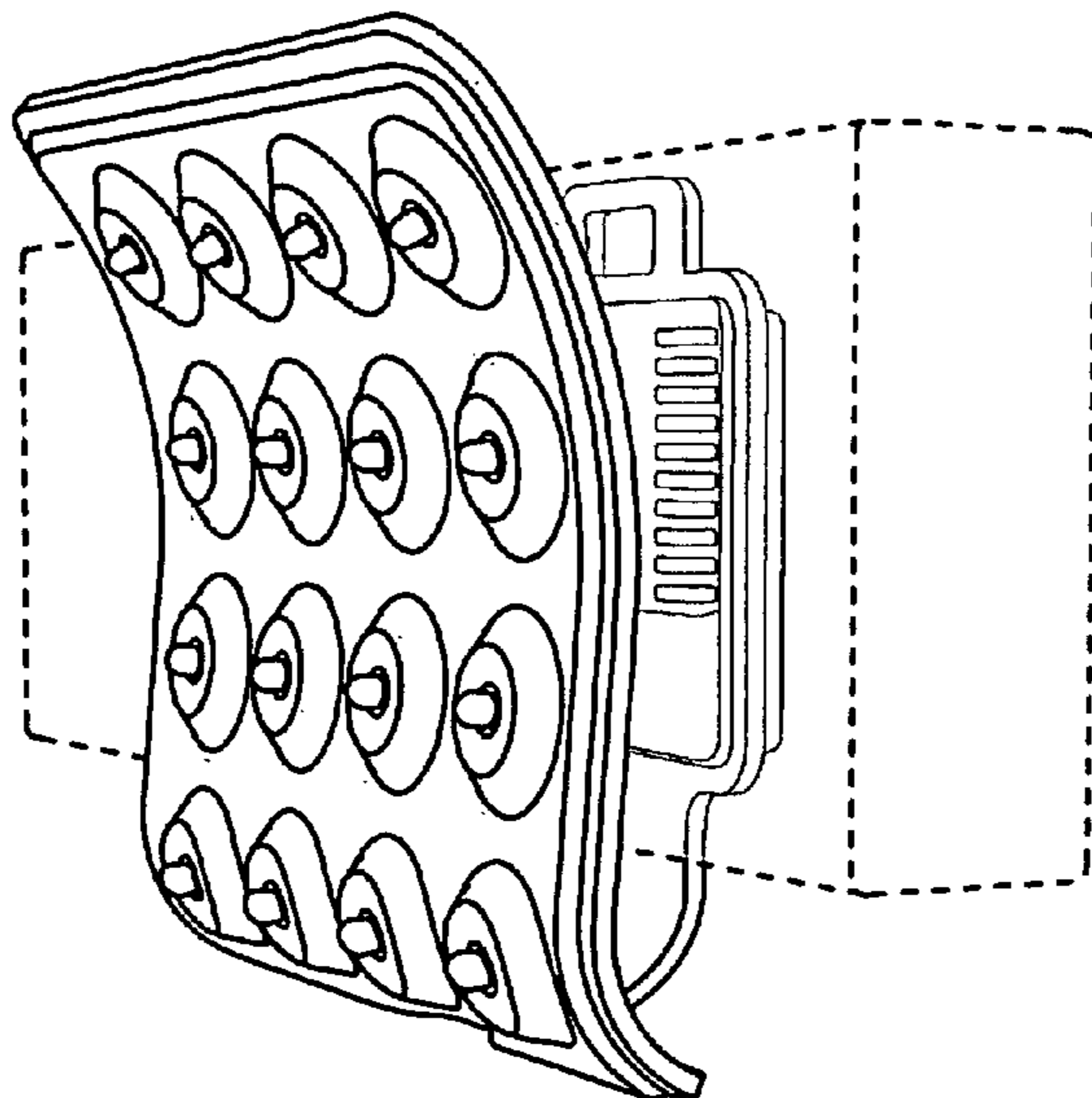


FIG. 14