

US00D668807S

(12) **United States Design Patent**
Gibbs

(10) **Patent No.:** **US D668,807 S**

(45) **Date of Patent:** **** Oct. 9, 2012**

(54) **GLASS TOP SIDE TABLE WITH GEL FUEL**

(75) Inventor: **Daryle C. Gibbs**, Dallas, TX (US)

(73) Assignee: **Southern Enterprises, Inc.**, Coppell, TX (US)

(**) Term: **14 Years**

(21) Appl. No.: **29/368,035**

(22) Filed: **Aug. 17, 2010**

(51) **LOC (9) Cl.** **26-05**

(52) **U.S. Cl.** **D26/58**

(58) **Field of Classification Search** D26/51,
D26/58, 10, 114, 93, 96, 101, 104, 105-110,
D26/112; 362/127, 133, 134, 253, 33, 145,
362/161, 410-415; D6/399, 397, 487

See application file for complete search history.

D361,230 S * 8/1995 Vignelli et al. D6/487
D484,335 S * 12/2003 Murphy D6/487
D511,640 S * 11/2005 Nipke et al. D7/337
D557,524 S * 12/2007 Simpson D6/487
D579,708 S * 11/2008 Chen D7/332
D617,039 S * 6/2010 Sabernig D26/104
2012/0006316 A1 * 1/2012 Shimek et al. 126/519

* cited by examiner

Primary Examiner — Ian Simmons

Assistant Examiner — Carissa C Fitts

(74) *Attorney, Agent, or Firm* — Marsteller & Associates, P.C.

(57) **CLAIM**

The ornamental design for a glass top side table with gel fuel, as shown and described.

DESCRIPTION

FIG. 1 is a frontal perspective view of a glass top side table with gel fuel showing my new design.

FIG. 2 is a top view thereof.

FIG. 3 is a bottom view thereof.

FIG. 4 is a front view thereof; and,

FIG. 5 is a rear view thereof.

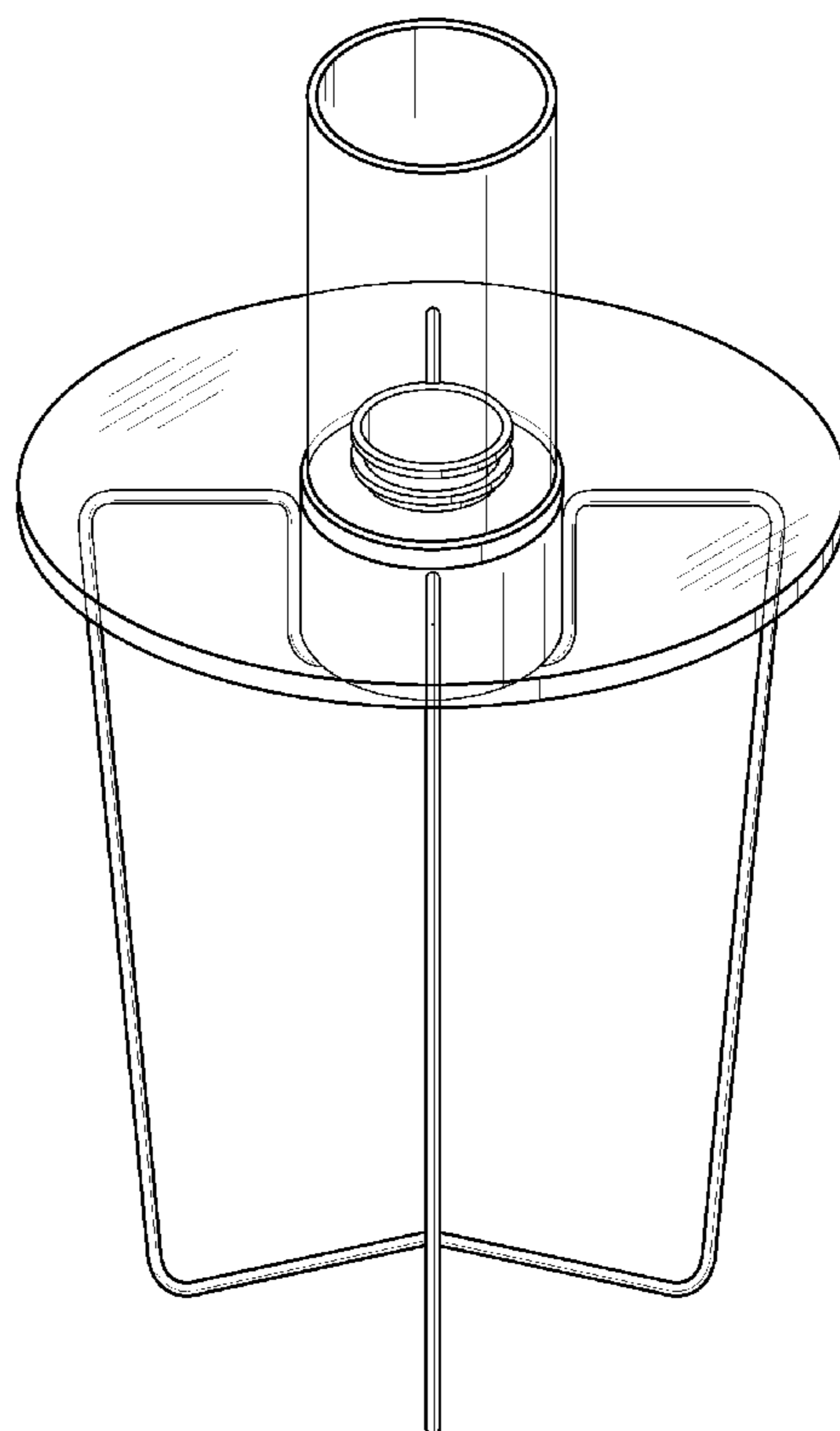
The broken line showing is for environmental purposes only and forms no part of the claimed design.

1 Claim, 4 Drawing Sheets

(56) **References Cited**

U.S. PATENT DOCUMENTS

D99,666 S * 5/1936 Schwartz D6/397
D142,434 S * 9/1945 Lundy D6/487
D177,178 S * 3/1956 Heyburn D26/51
D191,343 S * 9/1961 Kell D6/397
D248,703 S * 8/1978 Morgan, Jr. D26/58
D248,914 S * 8/1978 Ettress D26/55
D266,535 S * 10/1982 Sarpaneva D26/10
5,262,929 A * 11/1993 Lenhart 362/161
5,353,716 A * 10/1994 Wilbert 108/150



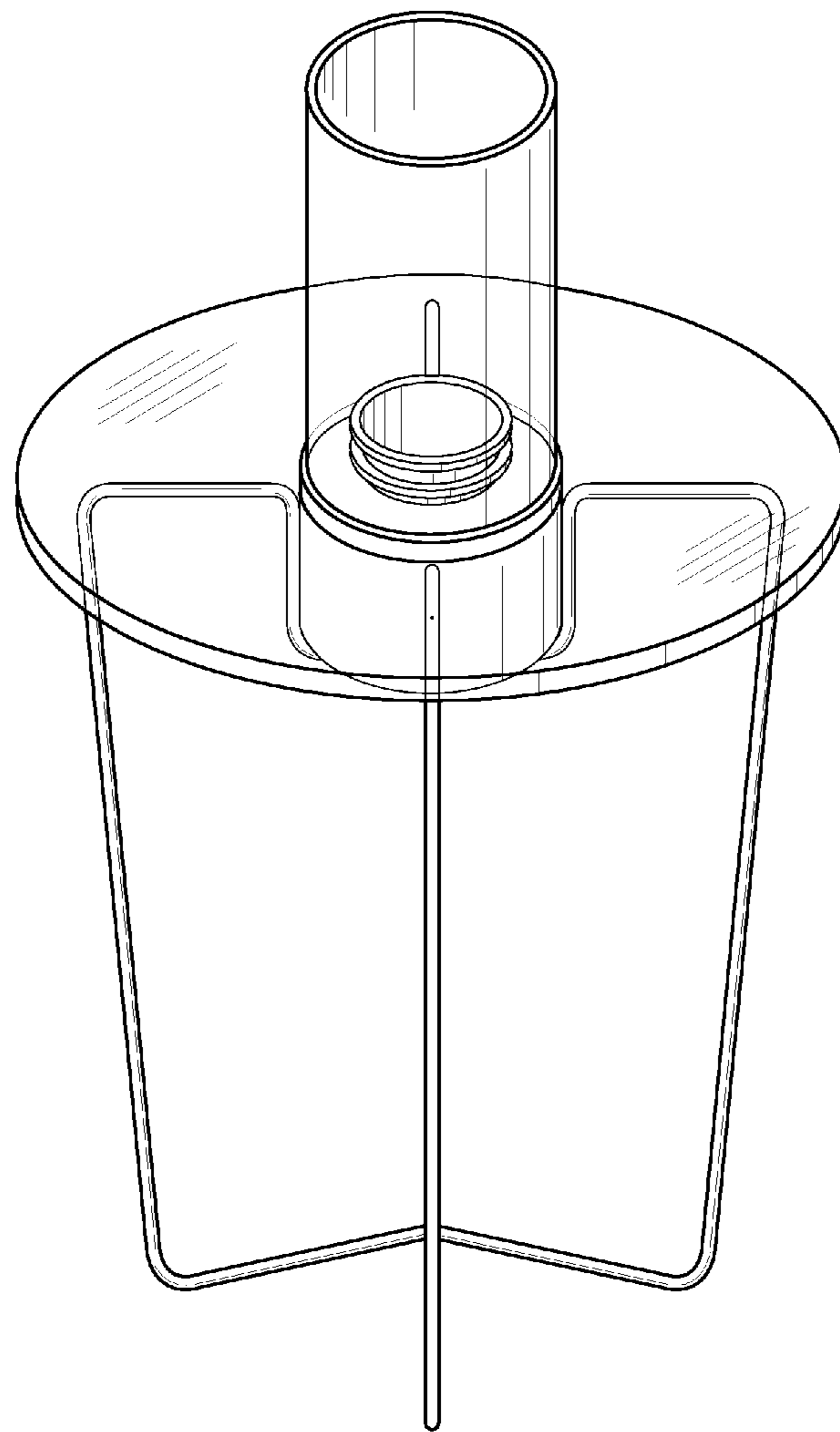


FIG. 1

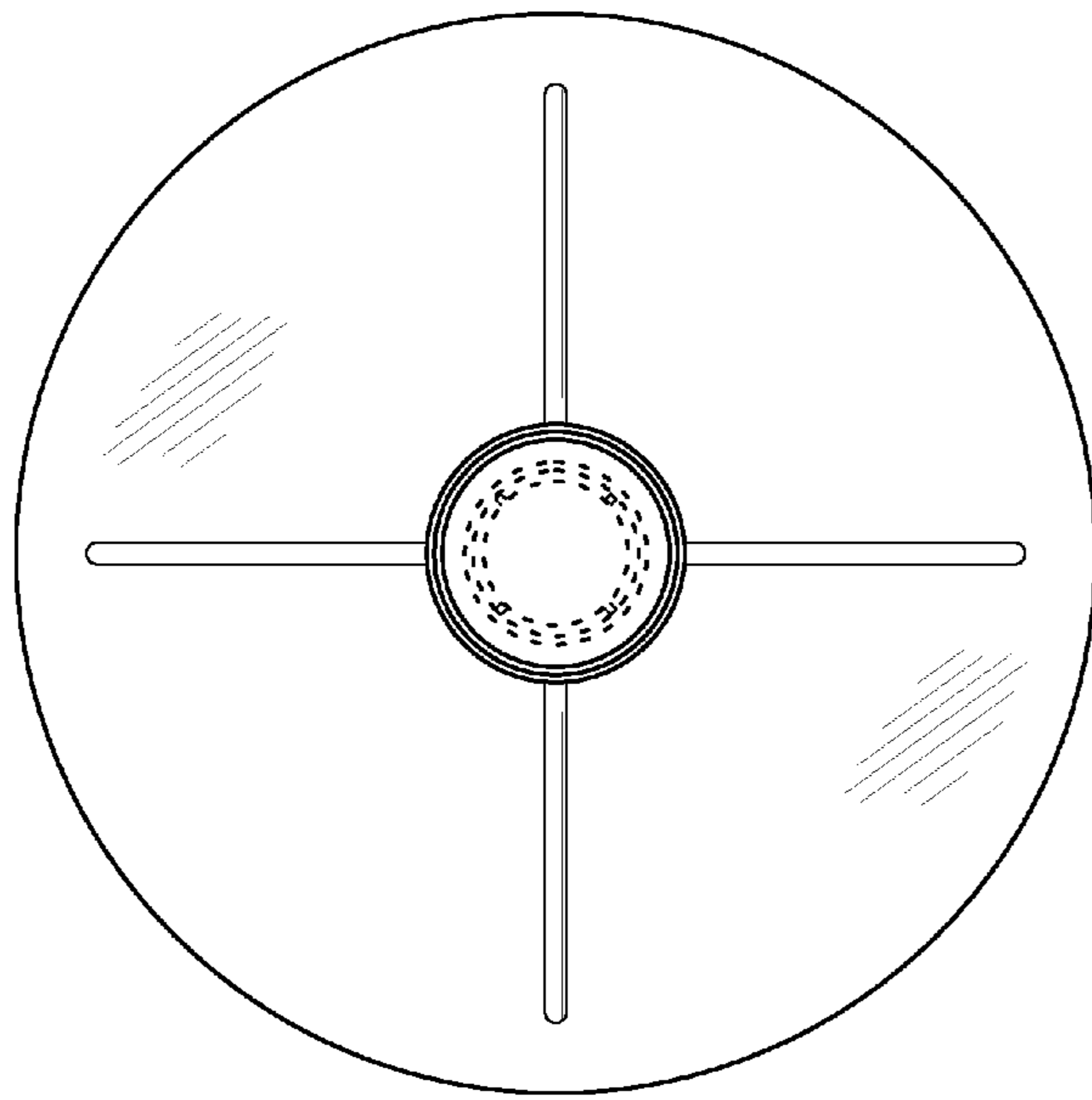


FIG. 2

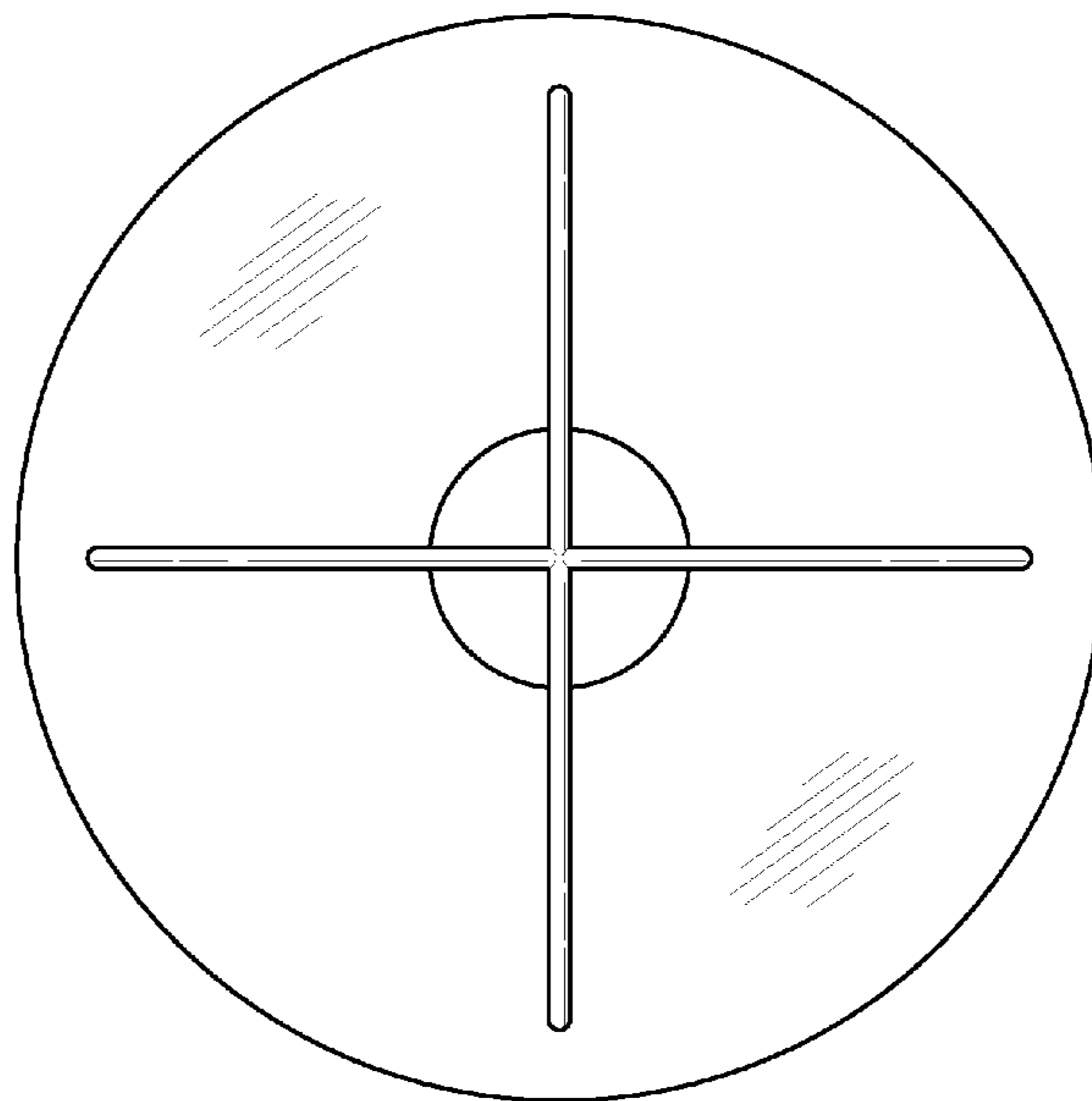


FIG. 3

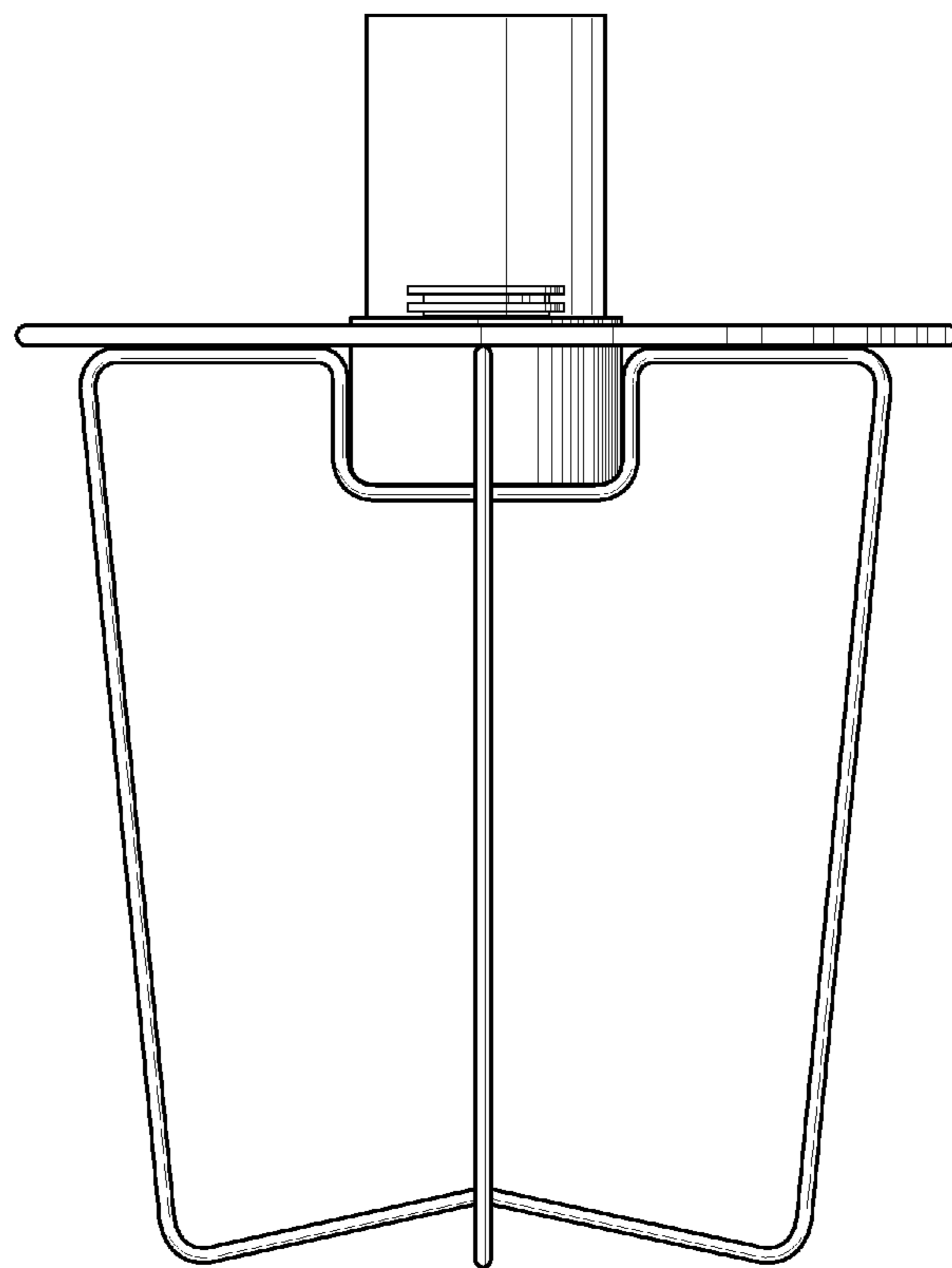


FIG. 4

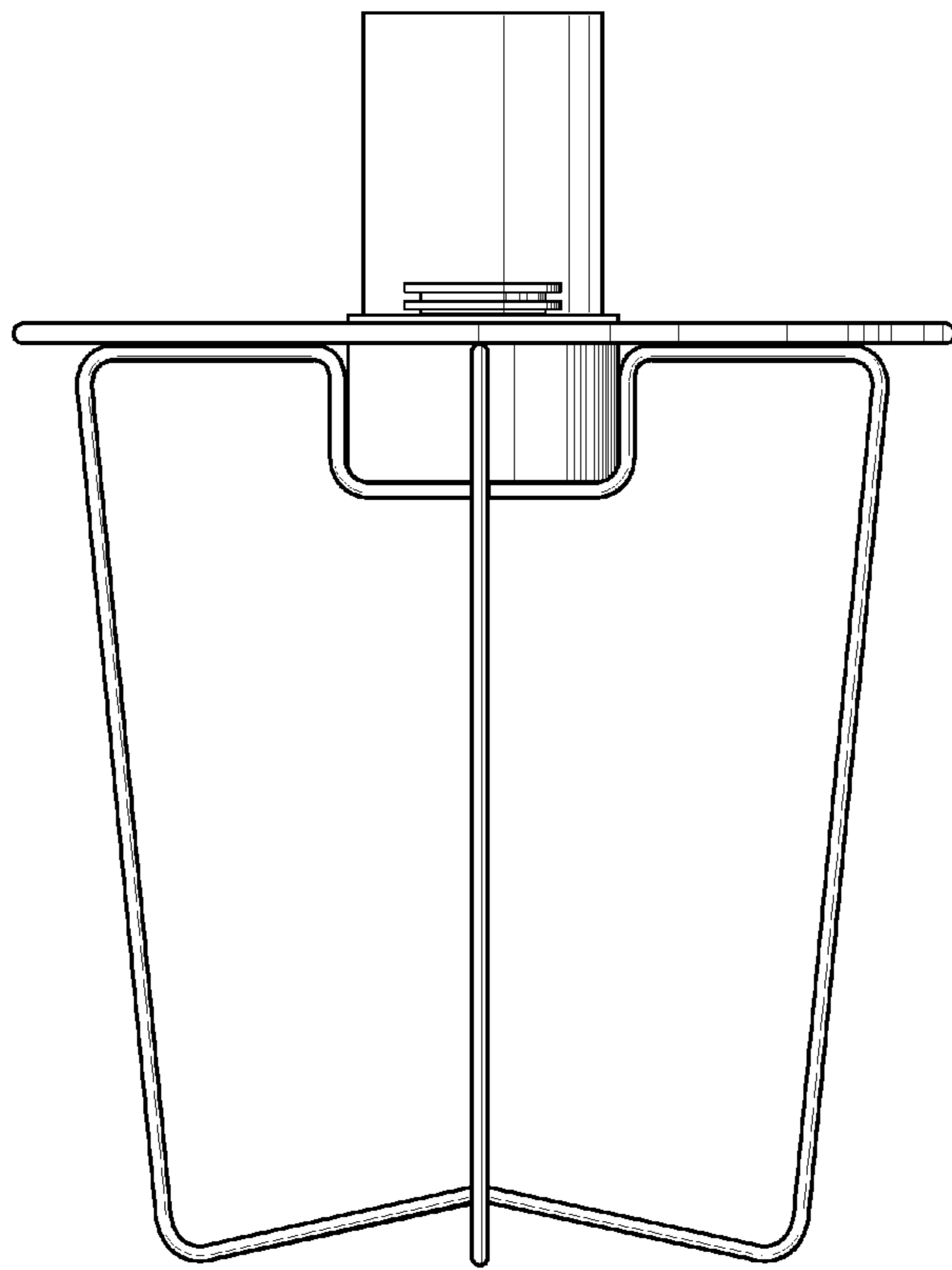


FIG. 5