

US00D668806S

(12) **United States Design Patent**
Chapman et al.

(10) **Patent No.:** **US D668,806 S**

(45) **Date of Patent:** **** Oct. 9, 2012**

(54) **FLASHLIGHT**

(75) Inventors: **Leonard T. Chapman**, North Hollywood, CA (US); **Charles L. Huenergardt**, Tarzana, CA (US)

(73) Assignee: **Chapman/Leonard Enterprises, Inc.**, North Hollywood, CA (US)

(**) Term: **14 Years**

(21) Appl. No.: **29/409,881**

(22) Filed: **Dec. 29, 2011**

(51) **LOC (9) Cl.** **26-02**

(52) **U.S. Cl.** **D26/49**

(58) **Field of Classification Search** D26/37,
D26/38, 46, 49; 362/157, 158, 183, 184,
362/194-196, 198, 200-208

See application file for complete search history.

(56) **References Cited**

U.S. PATENT DOCUMENTS

D548,861 S *	8/2007	Chapman	D26/37
D557,838 S *	12/2007	Shiu	D26/37
D565,770 S *	4/2008	Shiu	D26/49
D567,416 S *	4/2008	Shiu	D26/37
D568,515 S *	5/2008	Liu	D26/49
D593,239 S *	5/2009	Caniparoli	D26/49
D593,240 S *	5/2009	Caniparoli	D26/49
D601,287 S *	9/2009	Caniparoli	D26/49

D603,988 S *	11/2009	Sharrah	D26/49
D603,989 S *	11/2009	Gardner et al.	D26/49
D603,990 S *	11/2009	Brown et al.	D26/49
D629,542 S *	12/2010	Robinson	D26/49
D629,545 S *	12/2010	Deguglimo et al.	D26/49
D636,512 S *	4/2011	Heath et al.	D26/49
D637,748 S *	5/2011	Caniparoli	D26/49
D643,561 S *	8/2011	Maglica	D26/49
D647,232 S *	10/2011	Liu	D26/49

* cited by examiner

Primary Examiner — Ian Simmons

Assistant Examiner — Carissa C Fitts

(74) *Attorney, Agent, or Firm* — Perkins Coie LLP; Kenneth H. Ohriner

(57) **CLAIM**

The ornamental design for a flashlight, as shown and described.

DESCRIPTION

FIG. 1 is a rear and right side perspective view showing our new design for a flashlight.

FIG. 2 is a rear view.

FIG. 3 is a front view.

FIG. 4 is a right side view.

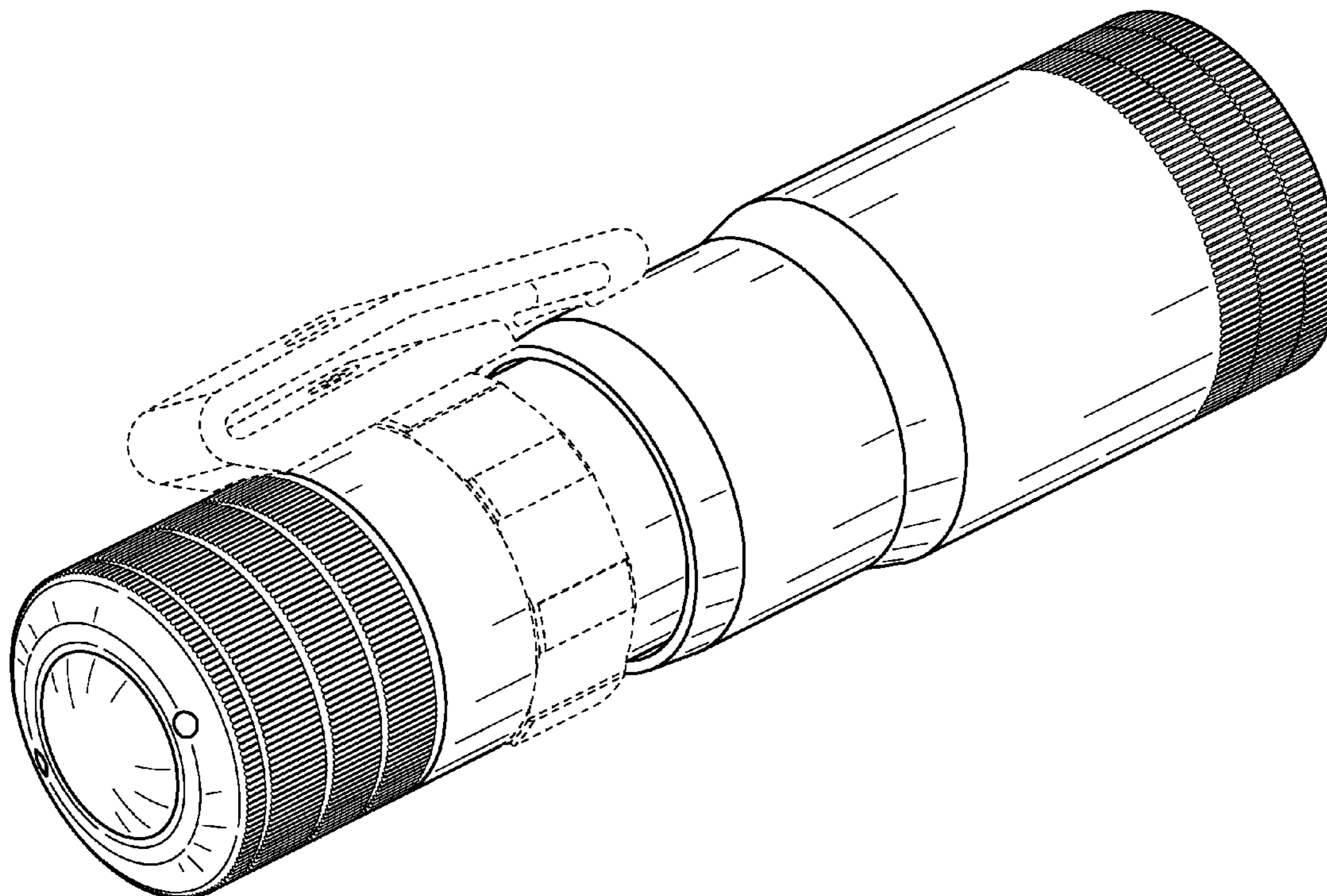
FIG. 5 is a left side view.

FIG. 6 is a top view; and,

FIG. 7 is a bottom view.

The broken line showing is for environmental purposes only and forms no part of the claimed design.

1 Claim, 4 Drawing Sheets



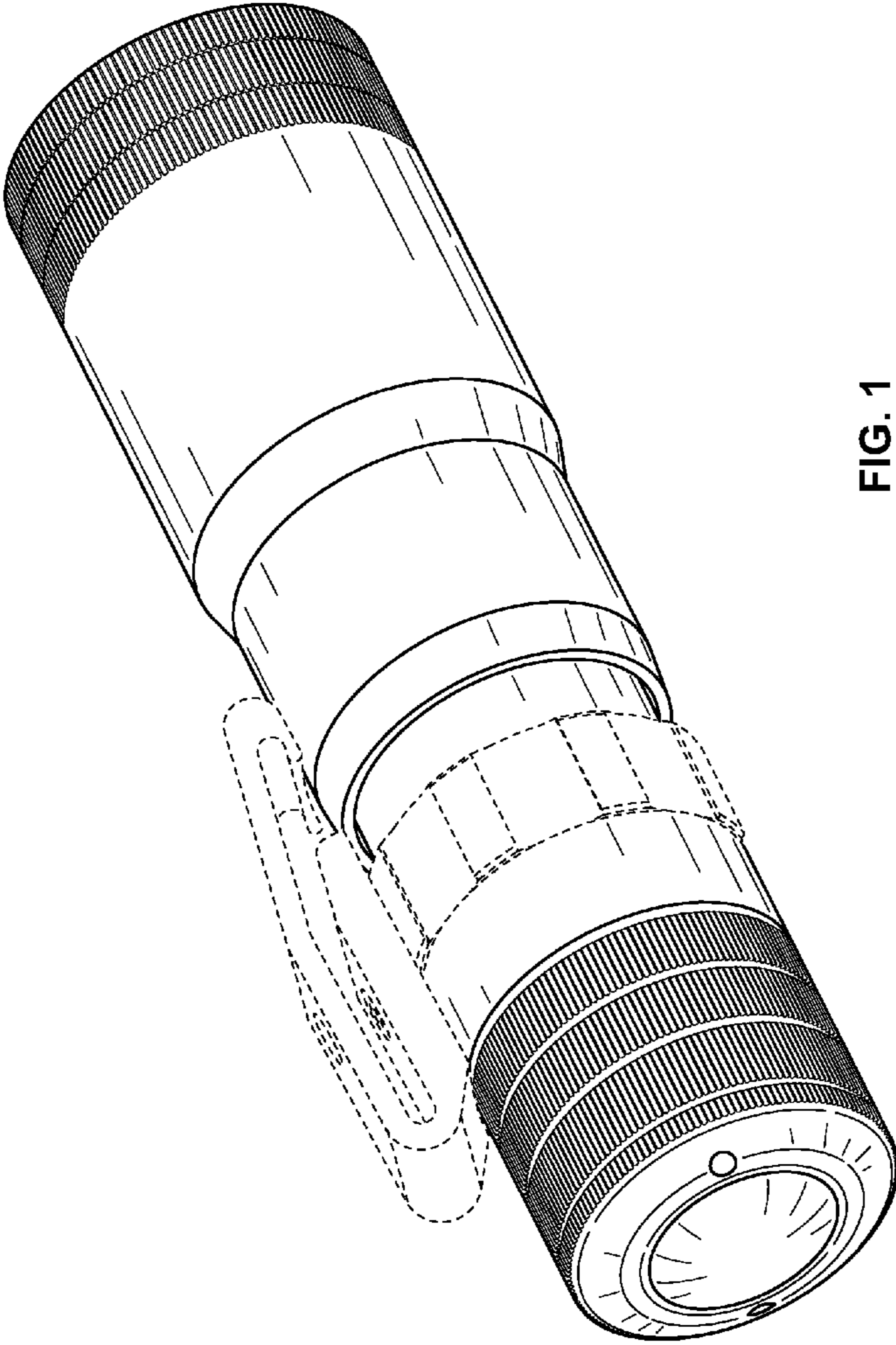


FIG. 1

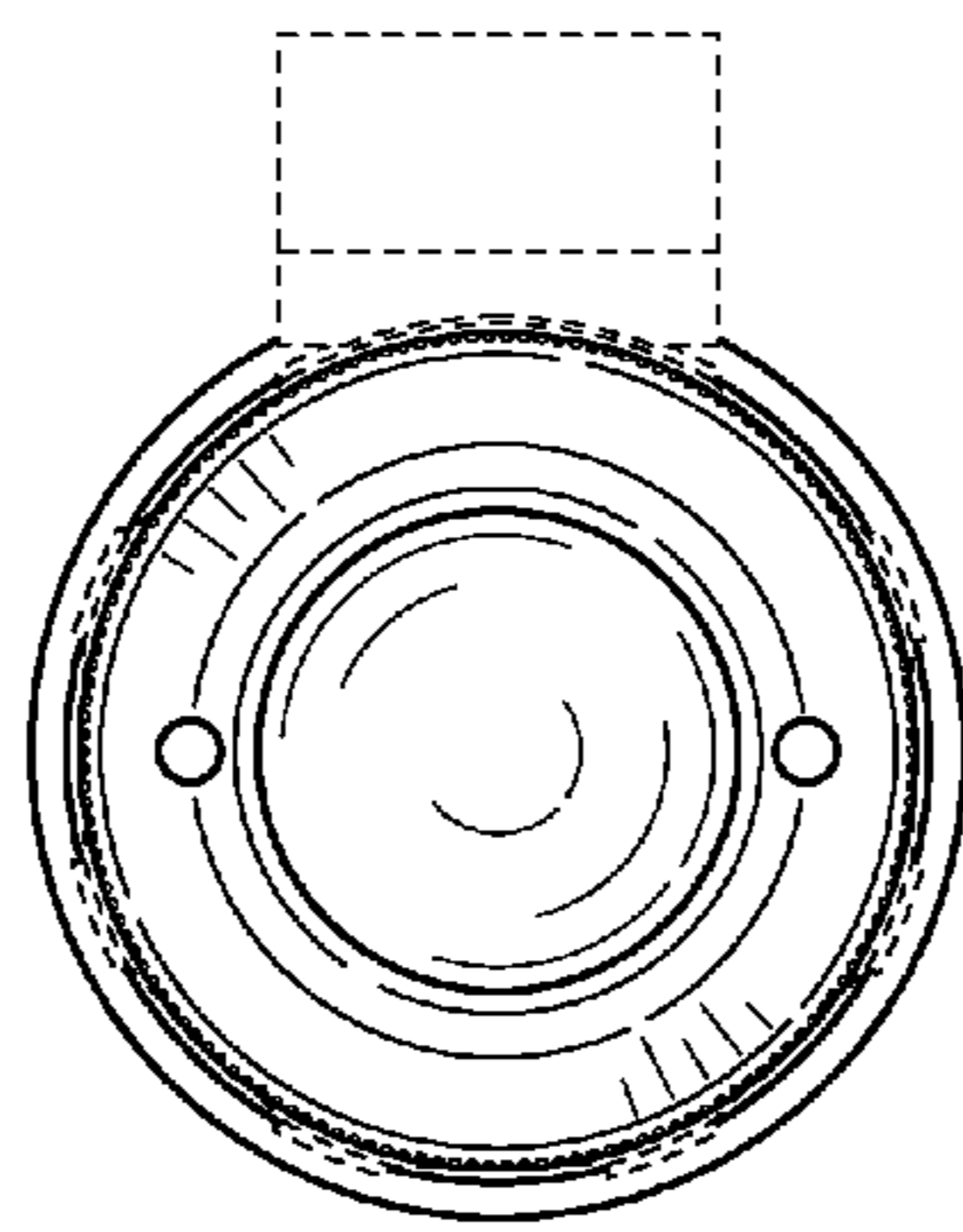


FIG. 2

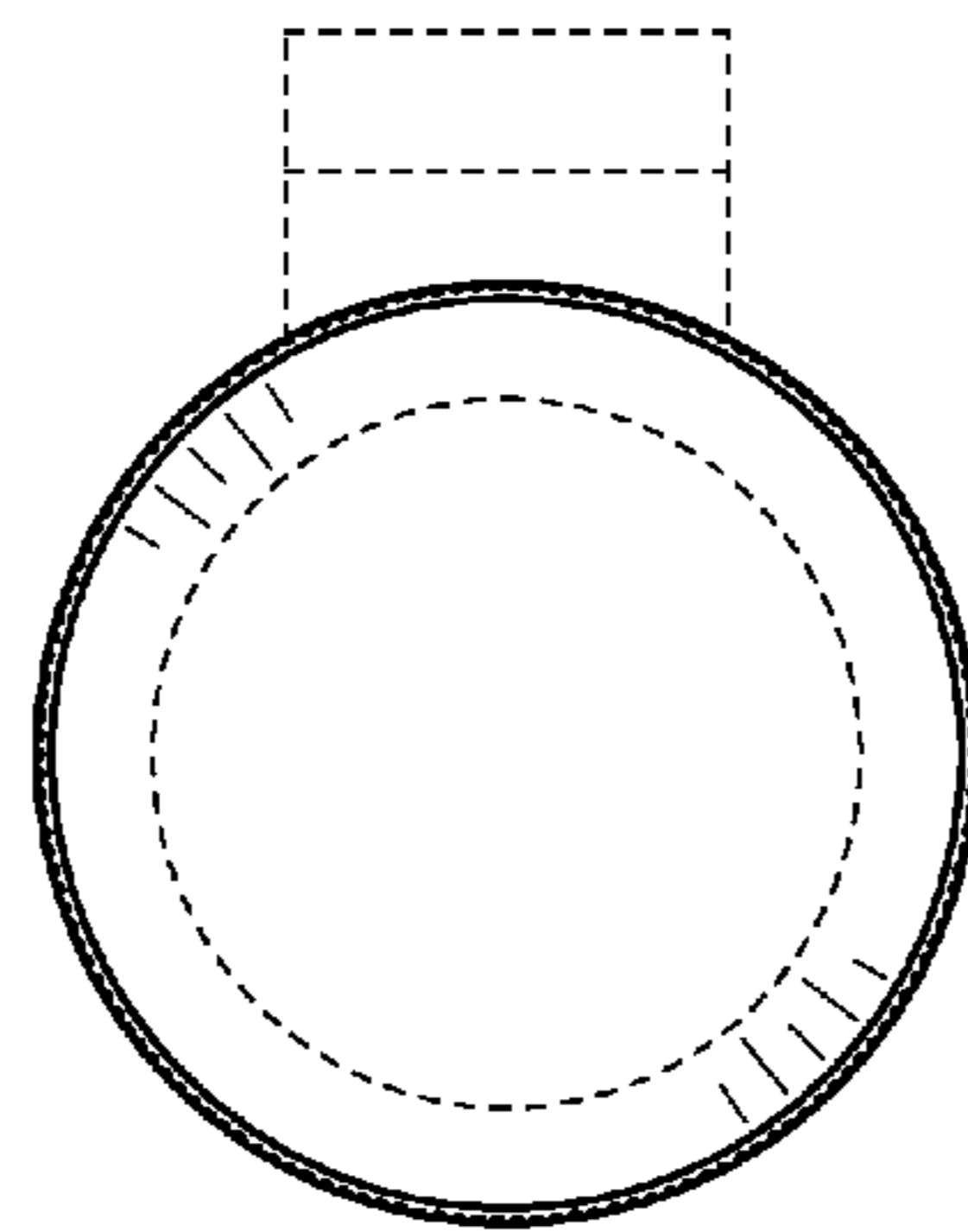


FIG. 3

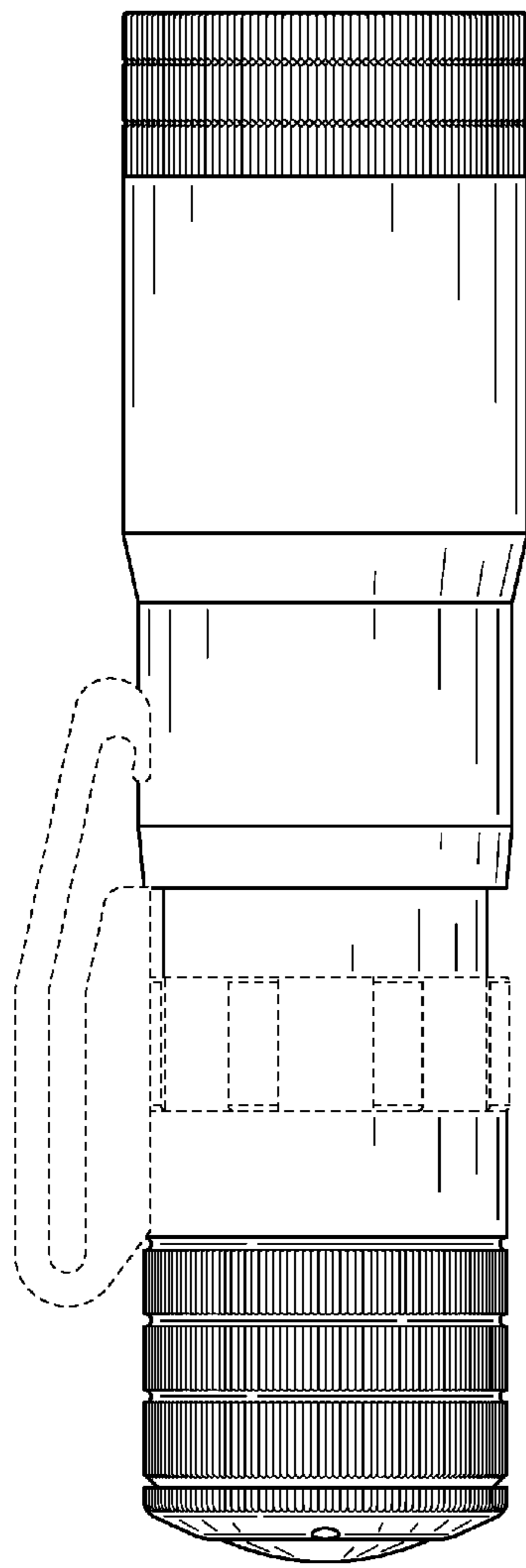


FIG. 4

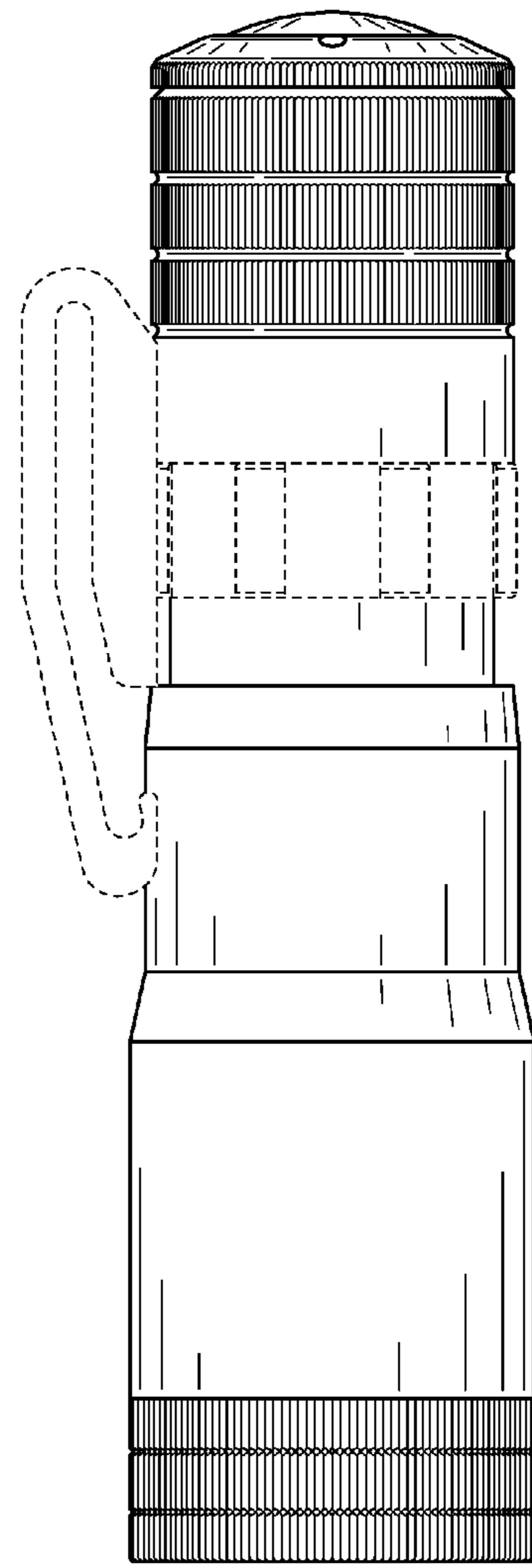


FIG. 5

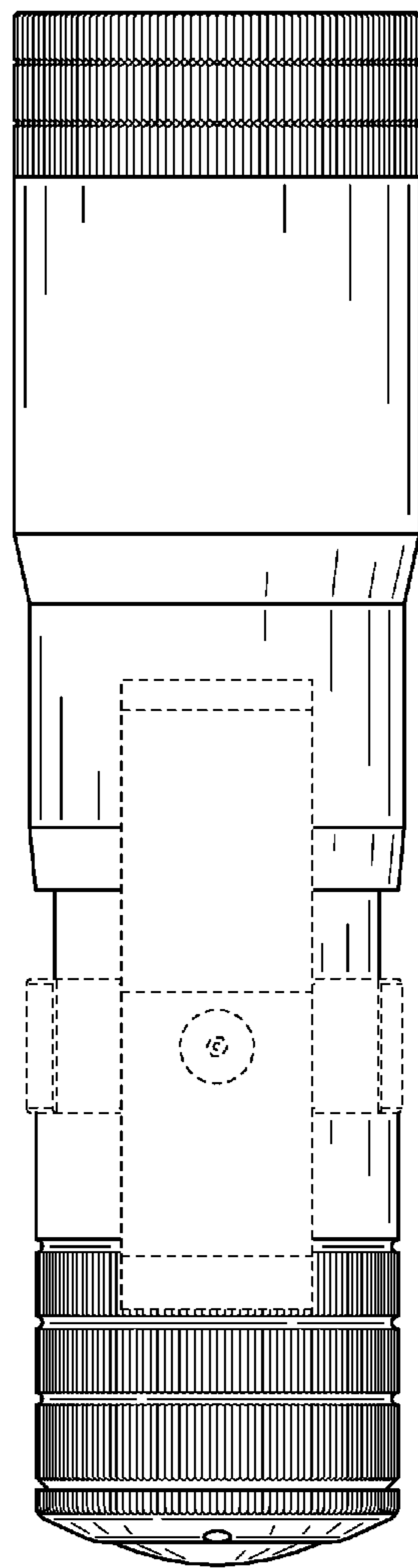


FIG. 6

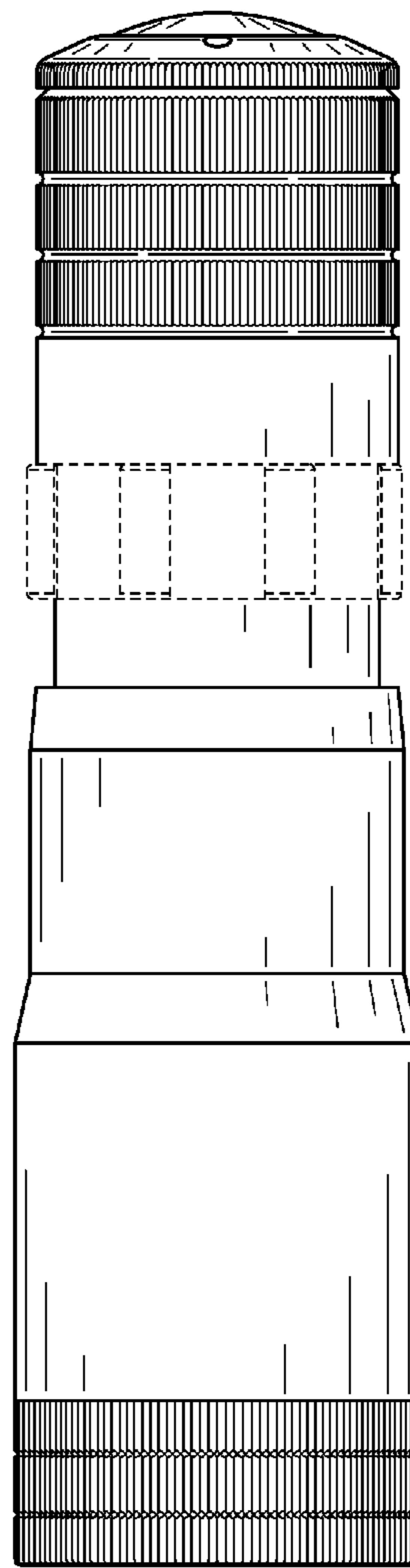


FIG. 7