



US00D668804S

(12) **United States Design Patent**  
**Maglica**

(10) **Patent No.:** **US D668,804 S**  
(45) **Date of Patent:** **\*\* Oct. 9, 2012**

(54) **FLASHLIGHT**

(75) Inventor: **Anthony Maglica**, Anaheim, CA (US)

(73) Assignee: **Mag Instrument, Inc.**, Ontario (CA)

(\*\*) Term: **14 Years**

(21) Appl. No.: **29/370,591**

(22) Filed: **Feb. 15, 2003**

5,528,472	A *	6/1996	Maglica et al.	362/206
D395,719	S *	6/1998	Concari	D26/37
D449,125	S *	10/2001	Bangerter et al.	D26/49
D450,872	S *	11/2001	Dalebout et al.	D26/49
6,585,391	B1 *	7/2003	Koch et al.	362/205
6,612,716	B2 *	9/2003	Kwak	362/205
6,722,772	B2 *	4/2004	Maglica	362/197
D530,438	S *	10/2006	Maglica	D26/49
D530,439	S *	10/2006	Maglica	D26/49
2004/0012952	A1 *	1/2004	Maglica	362/157
2006/0039139	A1 *	2/2006	Maglica et al.	362/202
2006/0120069	A1 *	6/2006	West	362/157

(Continued)

**Related U.S. Application Data**

(63) Continuation of application No. 09/932,443, filed on Aug. 16, 2001, now Pat. No. 6,722,772.

(51) **LOC (9) Cl.** ..... **26-02**

(52) **U.S. Cl.** ..... **D26/49**

(58) **Field of Classification Search** ..... D26/37,  
D26/49, 38; 362/157, 158, 183, 184, 194-196,  
362/202-208

See application file for complete search history.

(56) **References Cited**

**U.S. PATENT DOCUMENTS**

D263,170	S *	2/1982	Maglica	D26/49
4,388,673	A *	6/1983	Maglica	362/183
4,398,238	A *	8/1983	Nelson	362/187
4,577,263	A *	3/1986	Maglica	362/187
4,581,686	A *	4/1986	Nelson	362/204
4,733,337	A *	3/1988	Bieberstein	362/206
4,823,242	A *	4/1989	Maglica et al.	362/187
4,841,417	A *	6/1989	Maglica et al.	362/206
4,843,526	A *	6/1989	Price, III	362/187
4,864,474	A *	9/1989	Maglica	362/203
D306,492	S *	3/1990	Sharrah	D26/49
D308,109	S *	5/1990	Maglica et al.	D26/49
D312,509	S *	11/1990	Sharrah	D26/49
5,113,326	A *	5/1992	Maglica	362/158
D342,333	S *	12/1993	Maglica	D26/49
D348,112	S *	6/1994	Maglica	D26/49
D351,245	S *	10/1994	Maglica	D26/49
D353,217	S *	12/1994	Maglica	D26/49
D363,361	S *	10/1995	Maglica	D26/49
D367,721	S *	3/1996	Maglica	D26/49
D370,543	S *	6/1996	Huen	D26/49

**OTHER PUBLICATIONS**

Mag Instrument, Inc. 1994 Product Catalog, 20 pages, USA.

(Continued)

*Primary Examiner* — Ian Simmons

*Assistant Examiner* — Carissa C Fitts

(57) **CLAIM**

The ornamental design for a flashlight, as shown and described.

**DESCRIPTION**

FIG. 1 is a front perspective view of the flashlight showing my new design;

FIG. 2 is a rear perspective view thereof;

FIG. 3 is a side elevational view thereof, the opposite side being identical in appearance;

FIG. 4 is a front elevational view thereof;

FIG. 5 is a rear elevational view thereof;

FIG. 6 is a front perspective view of an alternate embodiment of the flashlight showing my new design;

FIG. 7 is a rear perspective view thereof;

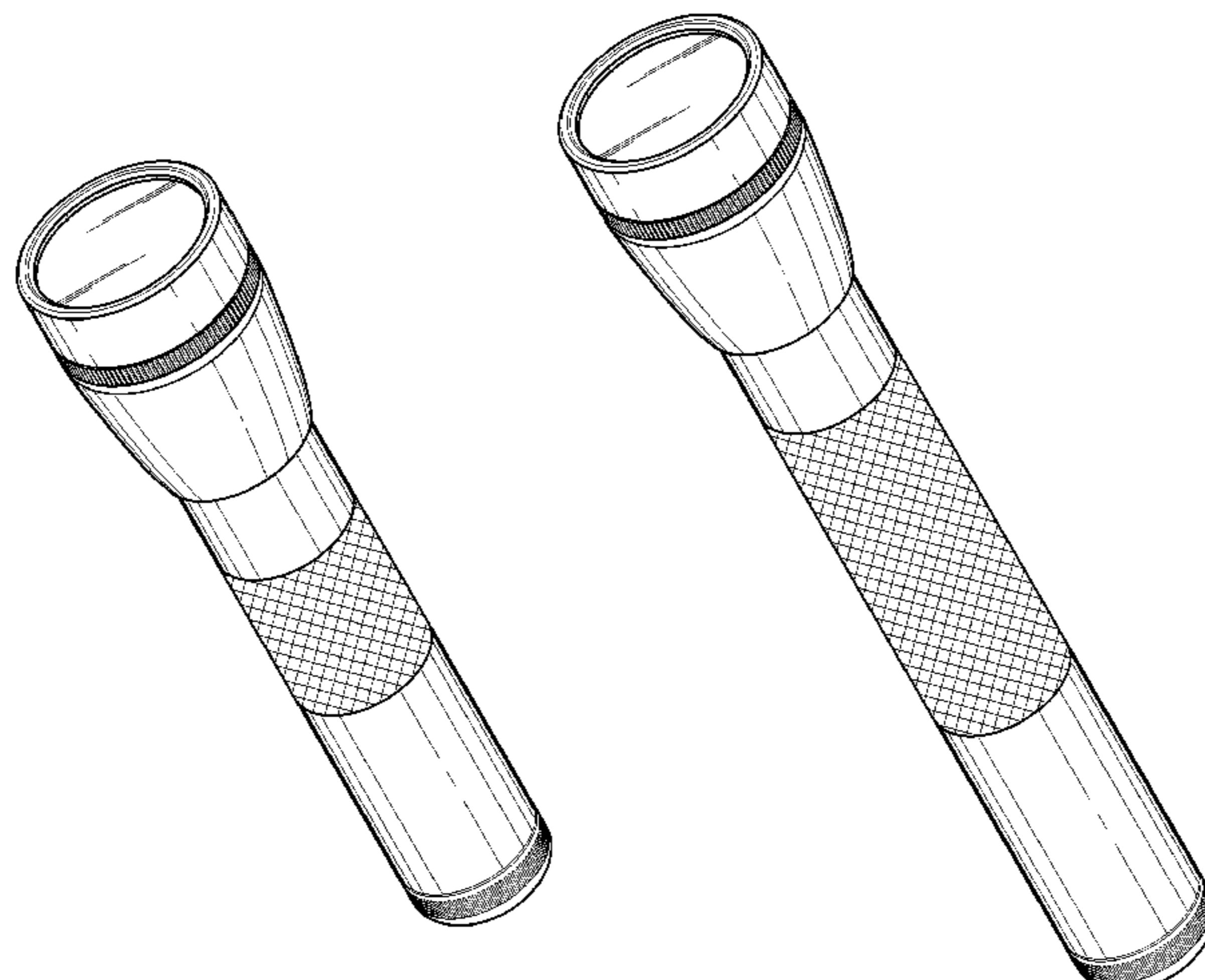
FIG. 8 is a side elevational view thereof the opposite side being identical in appearance;

FIG. 9 is a front elevational view thereof; and,

FIG. 10 is a rear elevational view thereof.

The broken line showing is for environmental purposes only and forms no part of the claimed design.

**1 Claim, 4 Drawing Sheets**



# US D668,804 S

Page 2

---

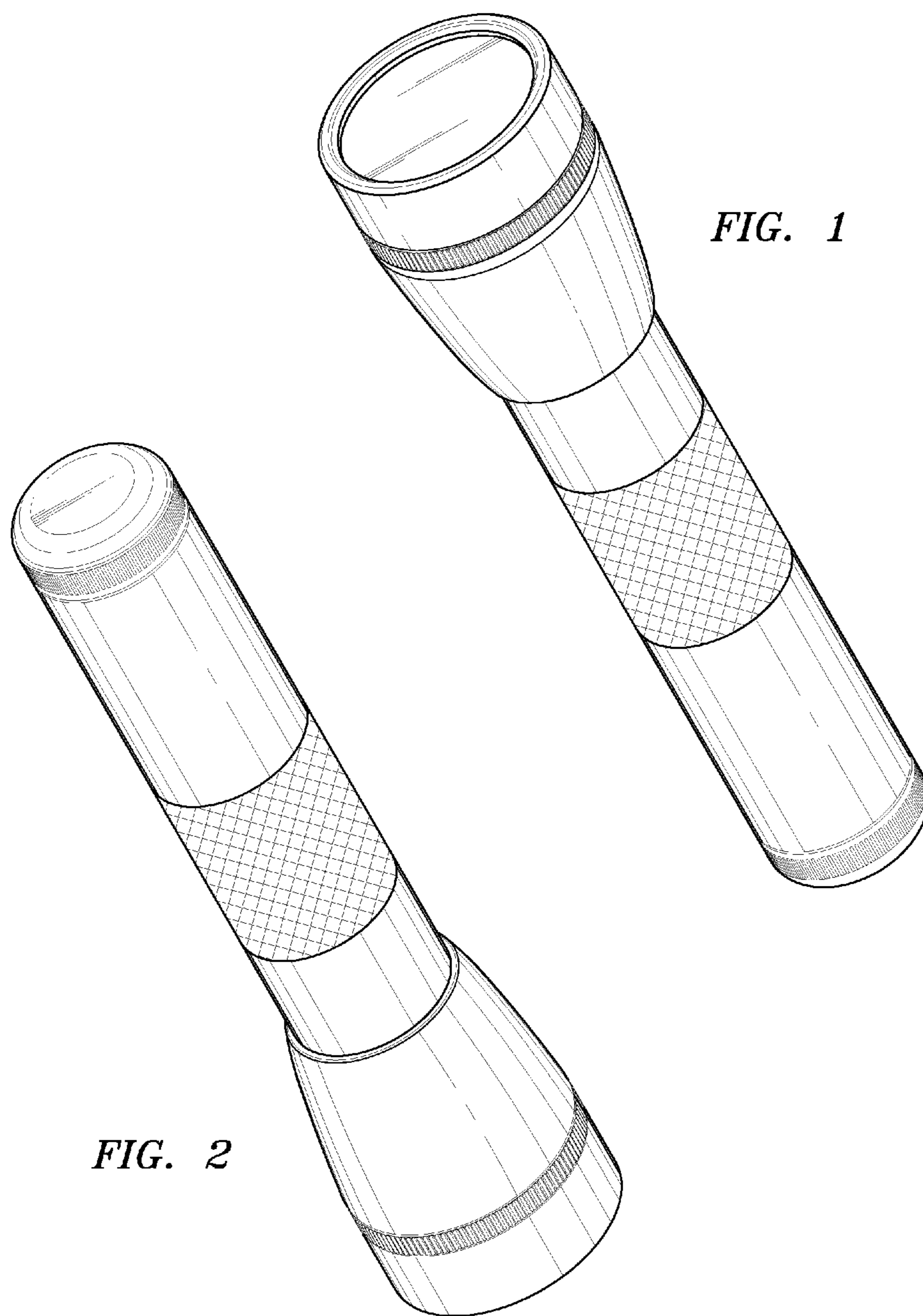
## U.S. PATENT DOCUMENTS

2006/0158876	A1 *	7/2006	Maglica .....	362/203
2006/0193128	A1 *	8/2006	West .....	362/205
2006/0232239	A1 *	10/2006	Maglica et al. ....	320/107
2007/0064354	A1 *	3/2007	West .....	361/1
2008/0259594	A1 *	10/2008	Maglica .....	362/202

## OTHER PUBLICATIONS

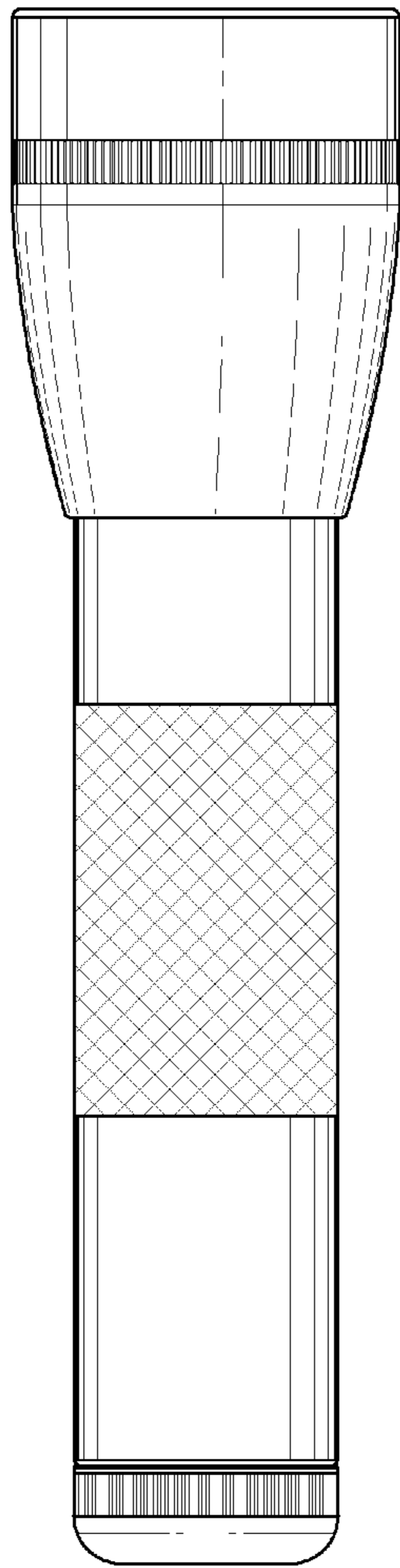
Mag Instrument, Inc. 2001 Product Catalog, 24 pages, USA.

\* cited by examiner

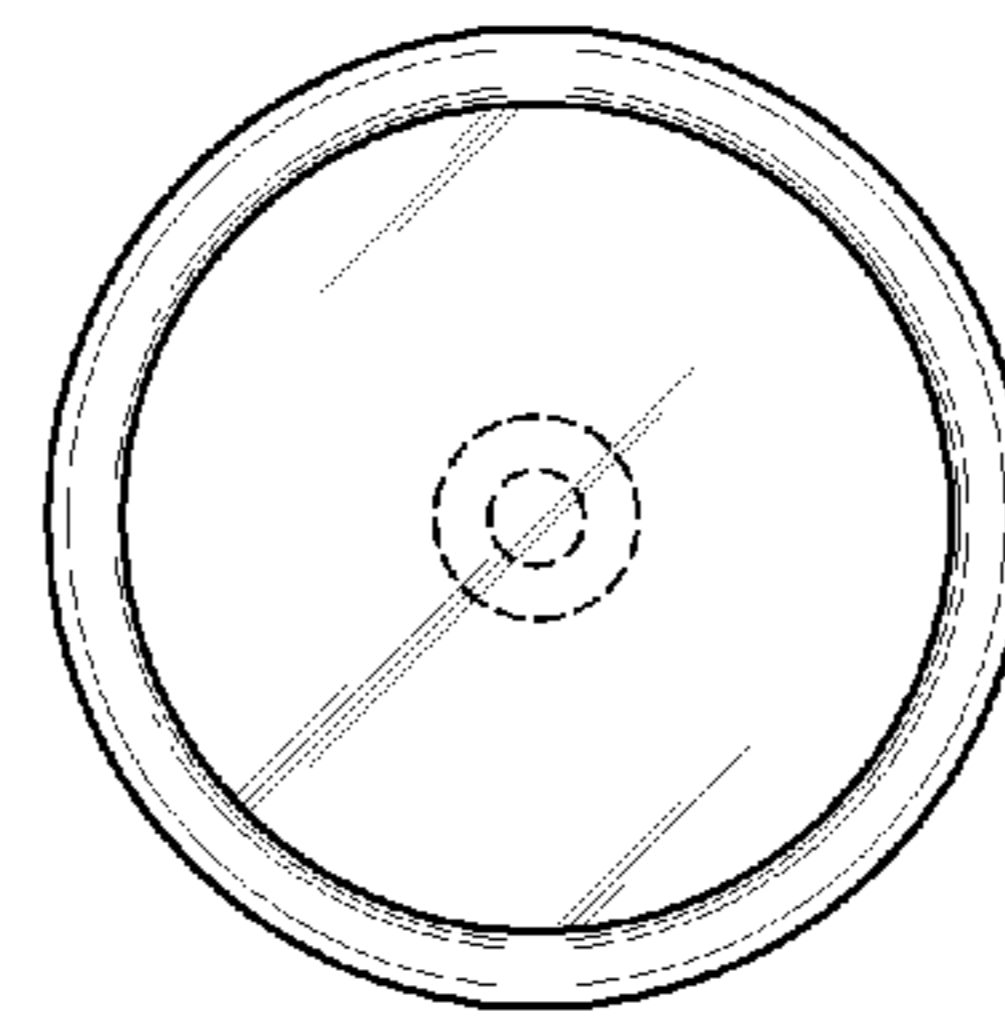


*FIG. 1*

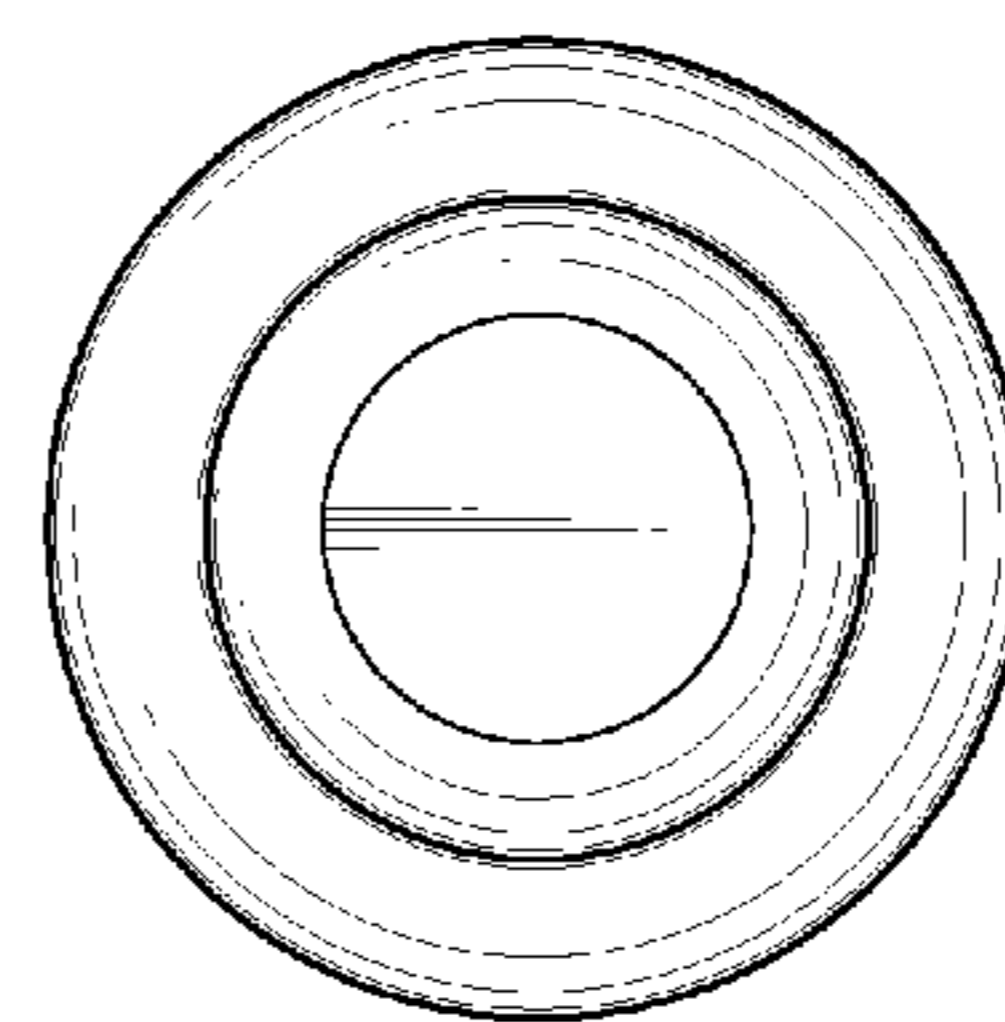
*FIG. 2*



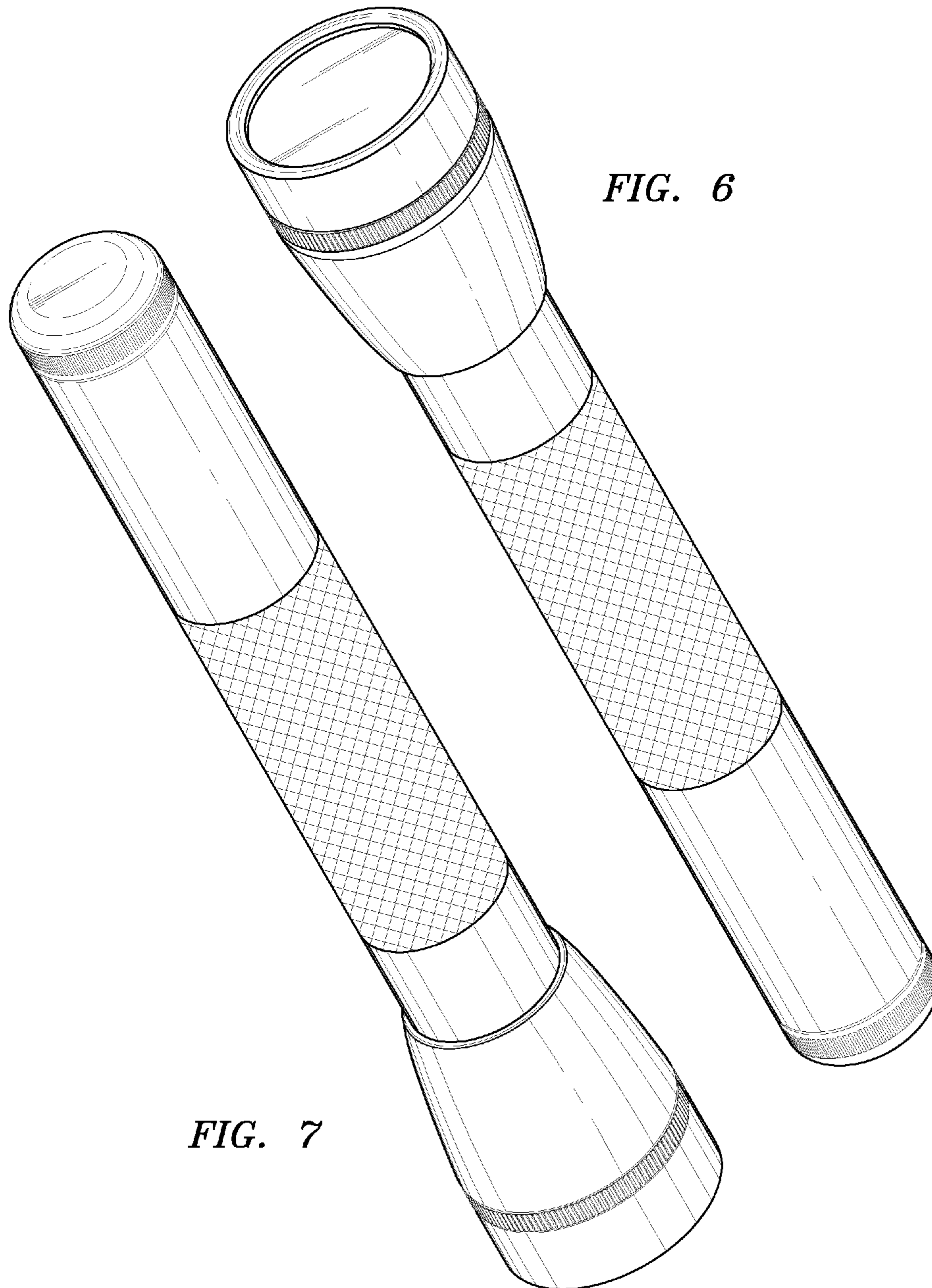
*FIG. 3*



*FIG. 4*

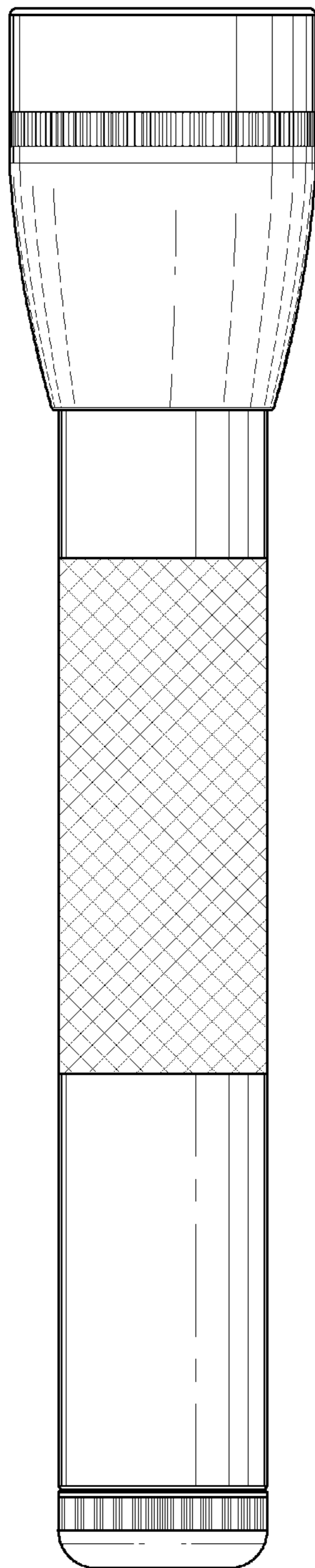


*FIG. 5*

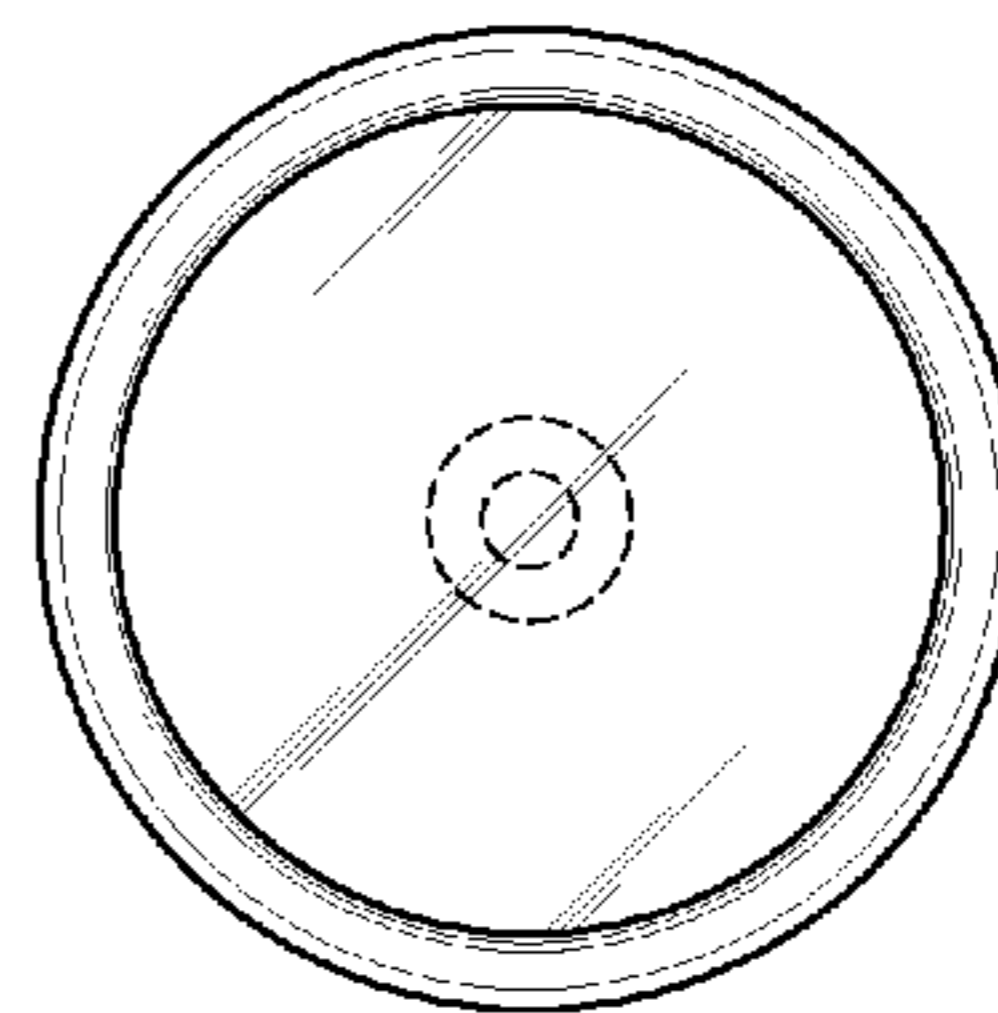


*FIG. 6*

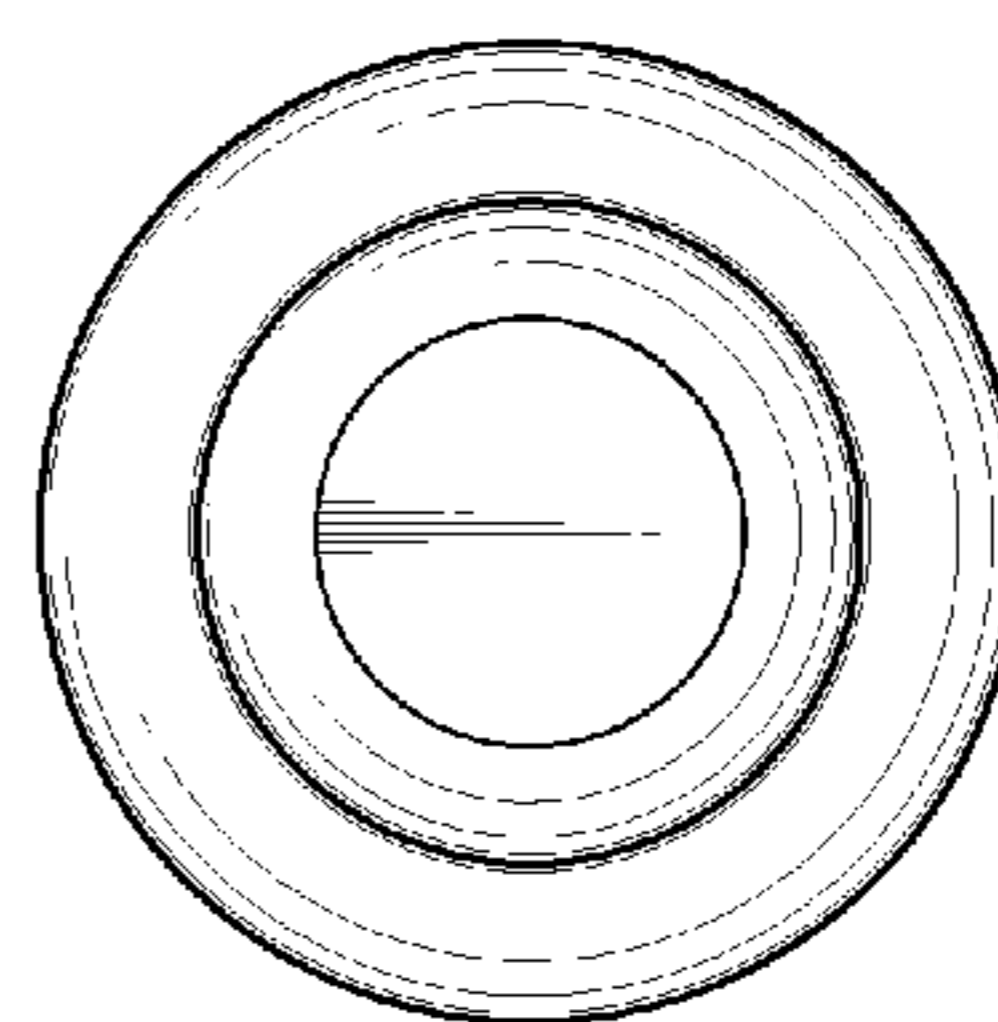
*FIG. 7*



*FIG. 8*



*FIG. 9*



*FIG. 10*