

US00D668801S

(12) **United States Design Patent**  
**Oliver**

(10) **Patent No.:** **US D668,801 S**

(45) **Date of Patent:** **\*\* Oct. 9, 2012**

(54) **FLOOR STAND CANDELABRA**

(76) Inventor: **Mary A. Oliver**, Pataskala, OH (US)

(\*\*) Term: **14 Years**

(21) Appl. No.: **29/392,254**

(22) Filed: **May 19, 2011**

(51) **LOC (9) Cl.** ..... **26-01**

(52) **U.S. Cl.** ..... **D26/13**

(58) **Field of Classification Search** ..... D26/8-23;  
431/125, 295

See application file for complete search history.

(56) **References Cited**

**U.S. PATENT DOCUMENTS**

D124,543	S	*	1/1941	Weinberg	.....	D26/13
D193,438	S	*	8/1962	Holt	.....	D6/405
D228,145	S	*	8/1973	Gordon	.....	D26/13
4,174,532	A		11/1979	Kelley		
5,053,931	A		10/1991	Rushing		
5,463,535	A		10/1995	Vest		
D442,711	S	*	5/2001	Patterson	.....	D26/13
6,520,665	B1		2/2003	Scandle		
6,659,616	B1		12/2003	Bilotti		

6,789,916 B2 9/2004 Ruggles  
6,802,630 B2 10/2004 Doppelt  
6,871,985 B2 3/2005 Humphrey  
2005/0052876 A1 3/2005 Halverson et al.

\* cited by examiner

*Primary Examiner* — T. Chase Nelson

*Assistant Examiner* — Ania Aman

(74) *Attorney, Agent, or Firm* — Montgomery Patent & Design, LLC; Robert C. Montgomery; Joseph Yaksich

(57) **CLAIM**

The ornamental design for a floor stand candelabra, as shown and described.

**DESCRIPTION**

FIG. 1 is a downward perspective view of a floor stand candelabra, showing my new design;

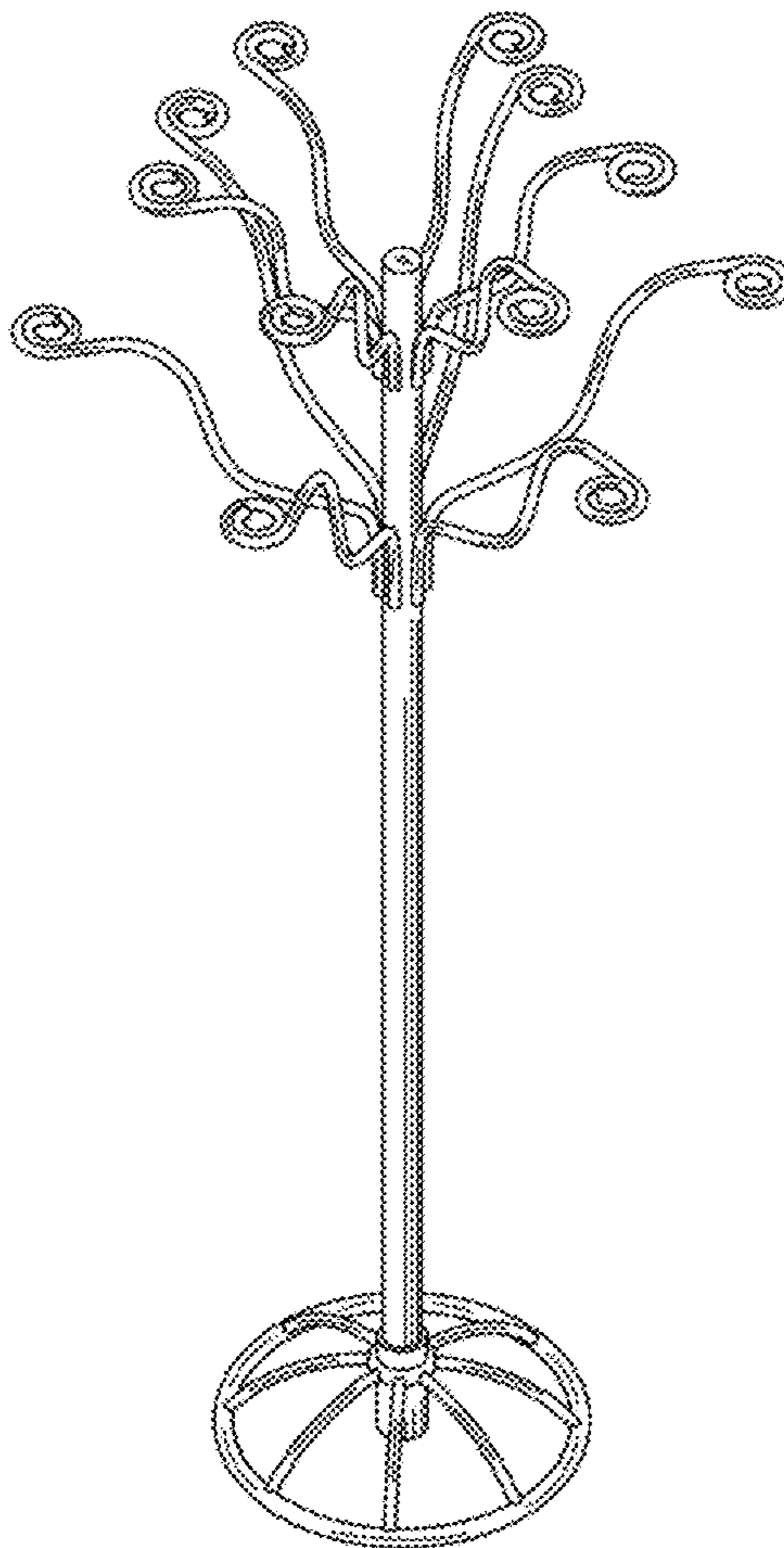
FIG. 2 is a front view thereof with a rear view being a mirror image;

FIG. 3 is a left side view thereof with a right side view being a mirror image;

FIG. 4 is a top view thereof; and,

FIG. 5 is a bottom view thereof.

**1 Claim, 4 Drawing Sheets**



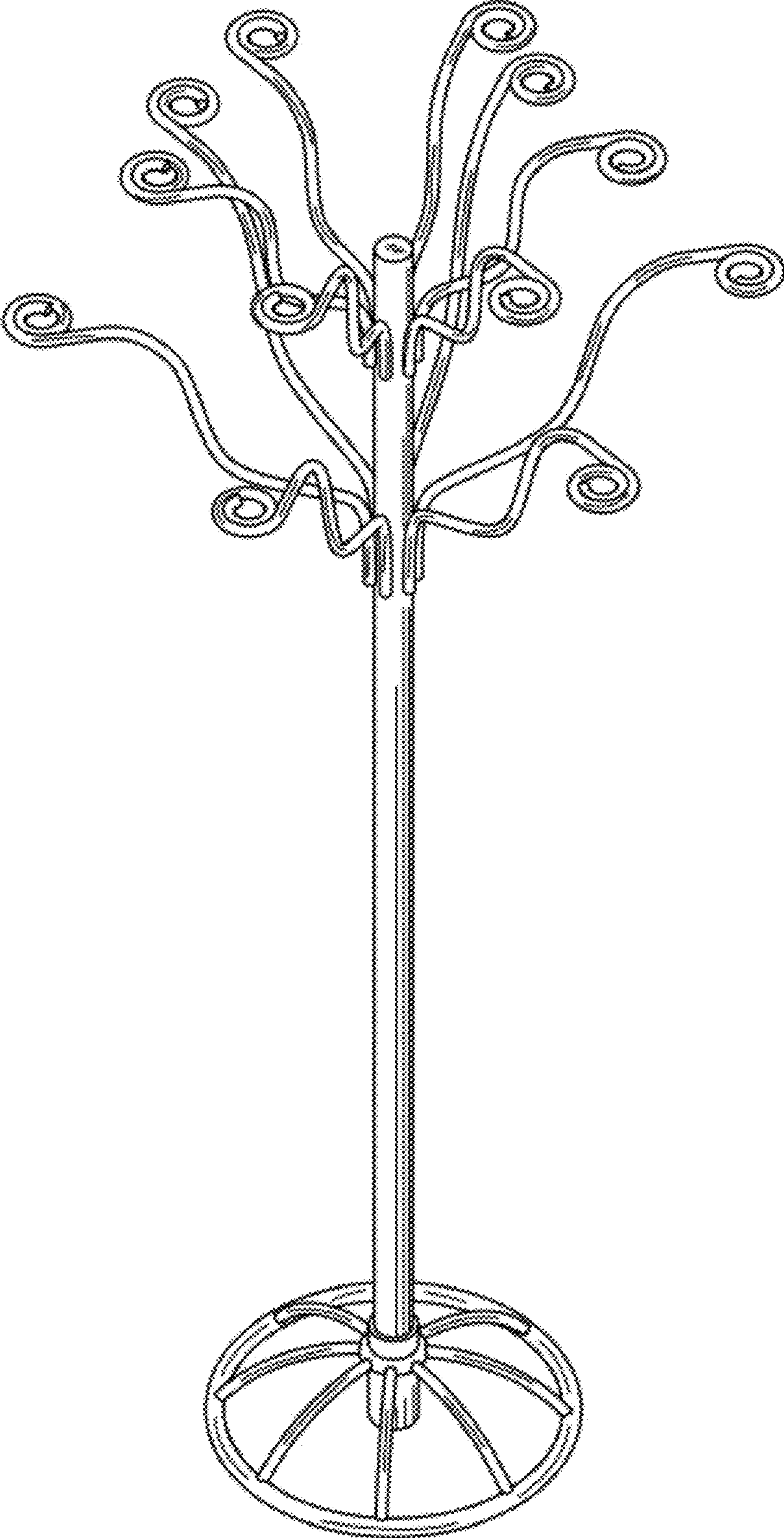


Fig. 1

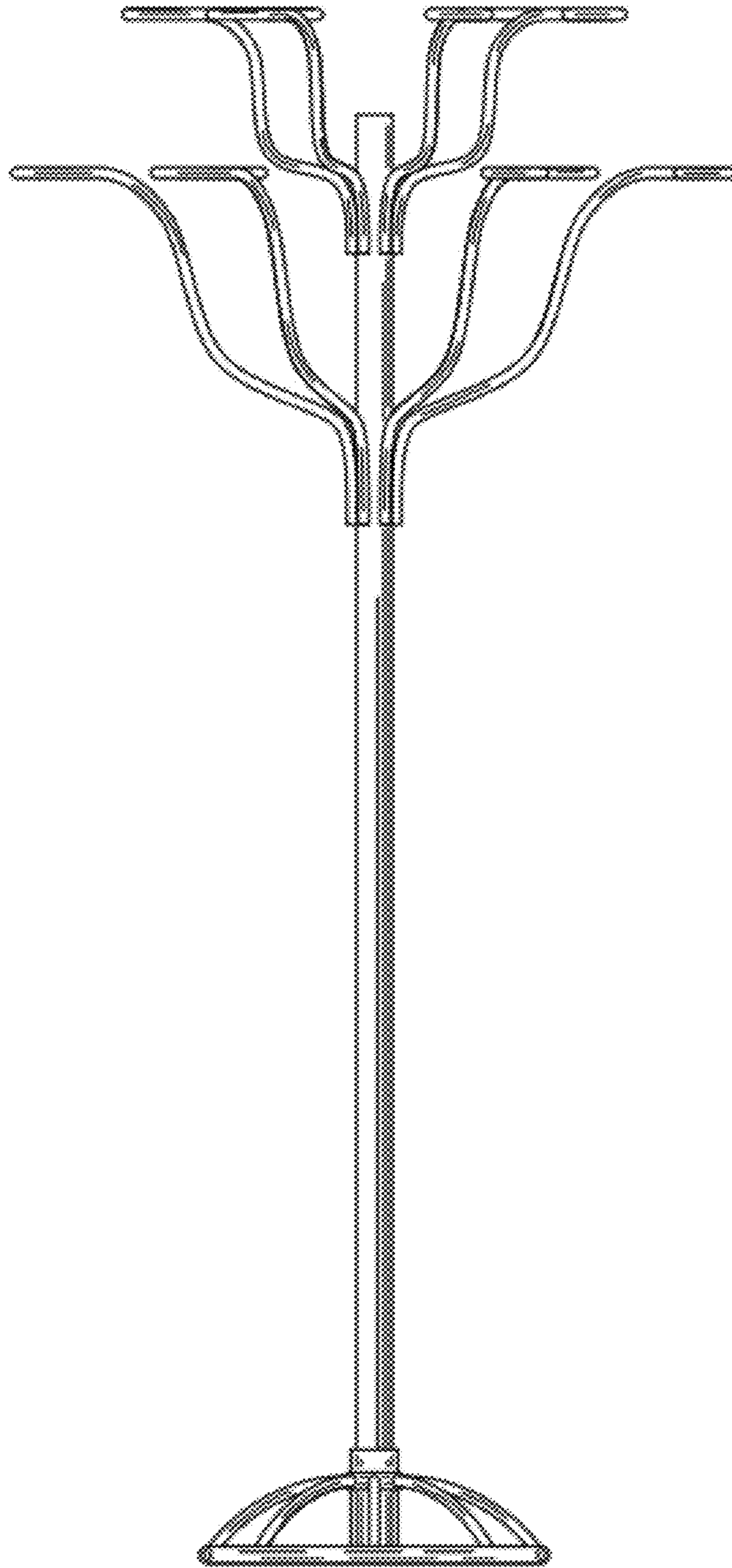


Fig. 2

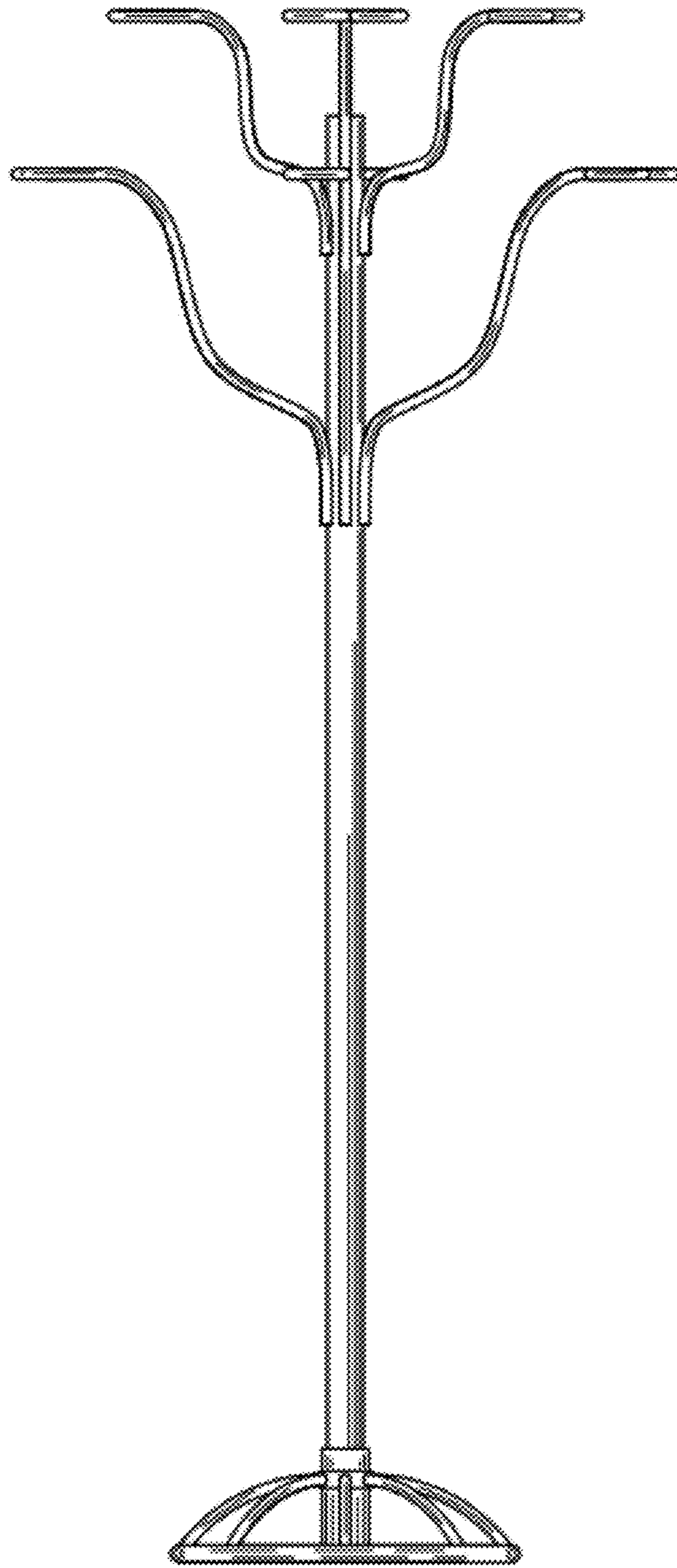


Fig. 3

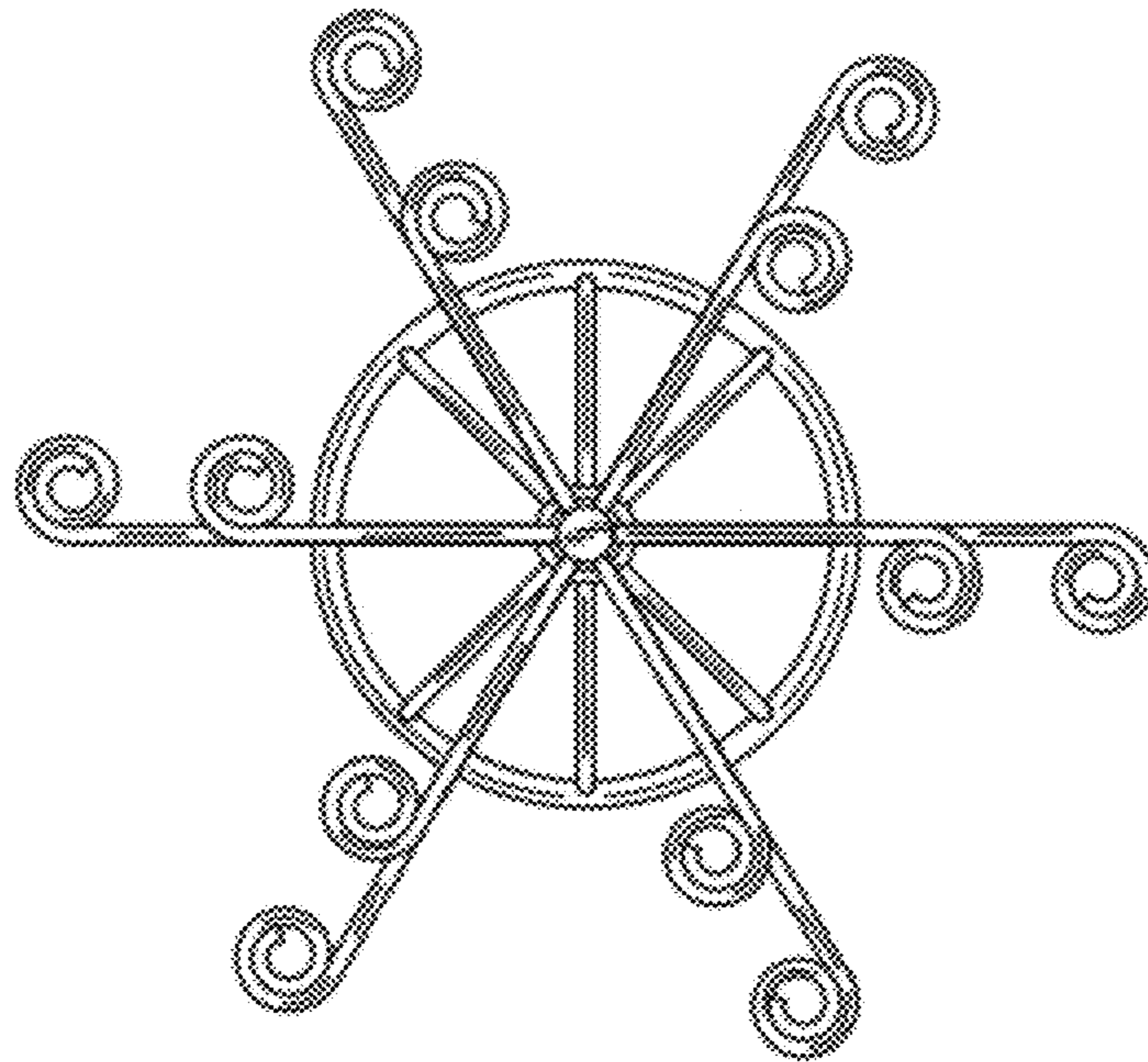


Fig. 4

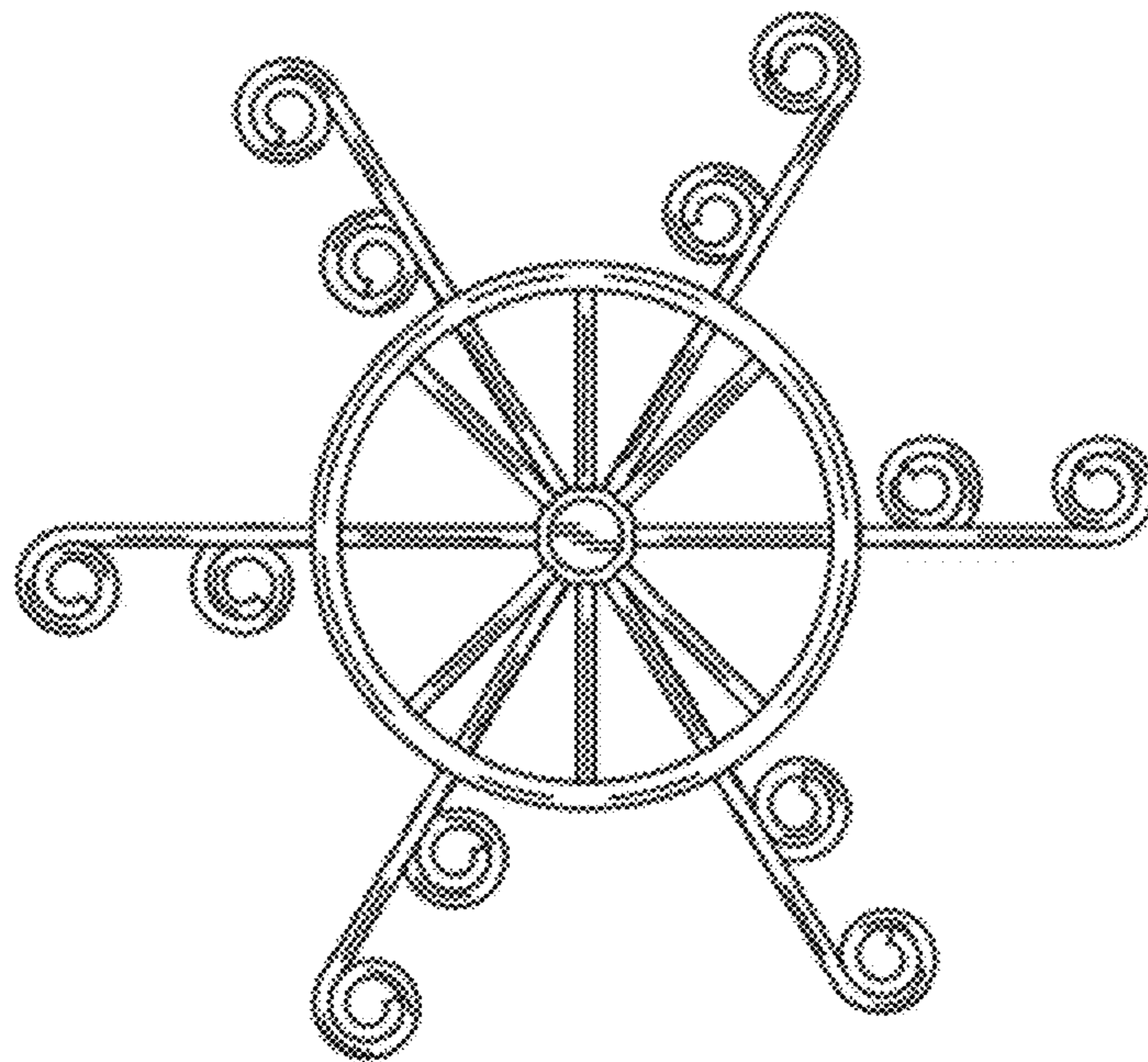


Fig. 5