

US00D668800S

(12) **United States Design Patent**
Liu et al.

(10) **Patent No.:** **US D668,800 S**
(45) **Date of Patent:** **** Oct. 9, 2012**

(54) **LED BULB**
(75) Inventors: **Run-Tian Liu**, Shenzhen (CN);
Chin-Chung Chen, Tu-Cheng (TW)
(73) Assignee: **Foxconn Technology Co., Ltd.**,
Tu-Cheng, New Taipei (TW)

D534,665 S * 1/2007 Egawa et al. D26/2
D538,953 S * 3/2007 Mama D26/2
D615,220 S * 5/2010 Crane et al. D26/2
D651,327 S * 12/2011 Hsiao et al. D26/2
D663,869 S * 7/2012 Choi et al. D26/2

* cited by examiner

(**) Term: **14 Years**

Primary Examiner — Marcus Jackson
(74) *Attorney, Agent, or Firm* — Altis Law Group, Inc.

(21) Appl. No.: **29/415,610**

(57) **CLAIM**
The ornamental design for a LED bulb, as shown and described.

(22) Filed: **Mar. 13, 2012**

(51) **LOC (9) Cl.** **26-04**

(52) **U.S. Cl.** **D26/2**

(58) **Field of Classification Search** D26/1-4;
313/313, 315, 316, 317, 318, 493; 315/52,
315/53, 56, 57, 58

See application file for complete search history.

DESCRIPTION

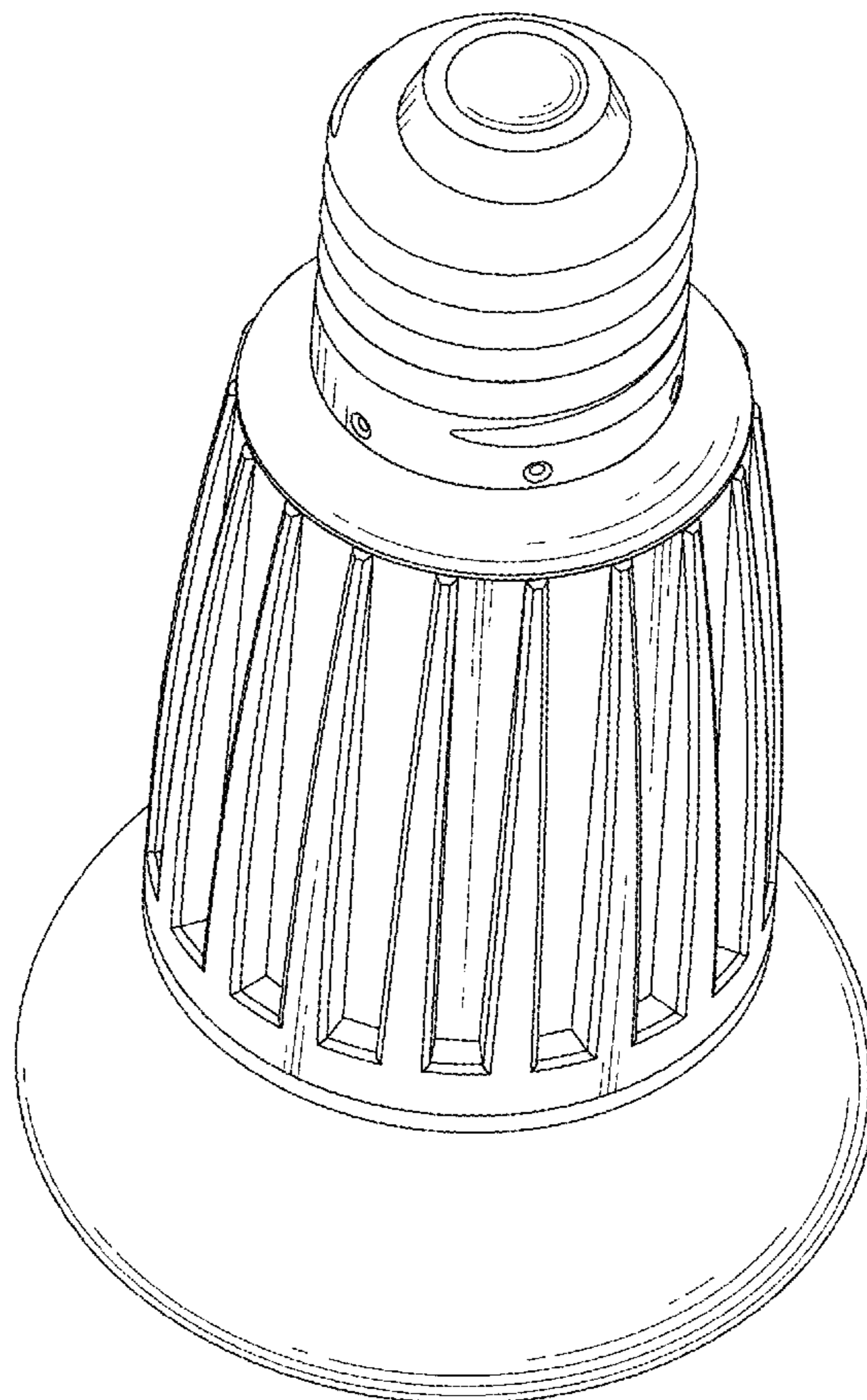
FIG. 1 is a perspective view of a light emitting diode (LED) bulb showing our new design.
FIG. 2 is a front elevational view thereof.
FIG. 3 is a rear elevational view thereof.
FIG. 4 is a left-side, elevational view thereof.
FIG. 5 is a right-side, elevational view thereof.
FIG. 6 is a top plan view thereof; and,
FIG. 7 is a bottom plan view thereof.

(56) **References Cited**

U.S. PATENT DOCUMENTS

D508,575 S * 8/2005 Buschmann et al. D26/2
D528,227 S * 9/2006 Chou et al. D26/2
D531,741 S * 11/2006 Takahashi D26/2

1 Claim, 7 Drawing Sheets



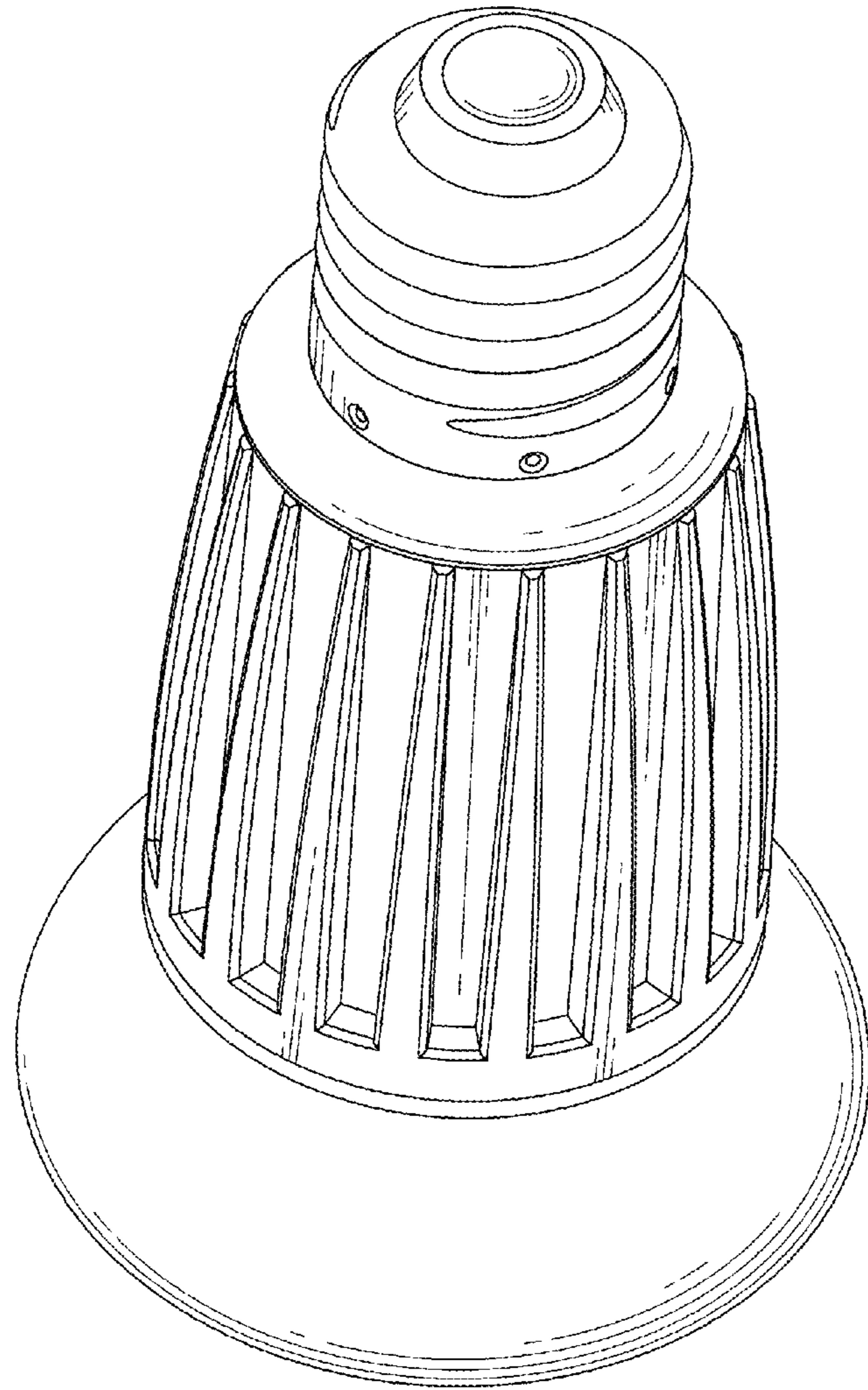


FIG. 1

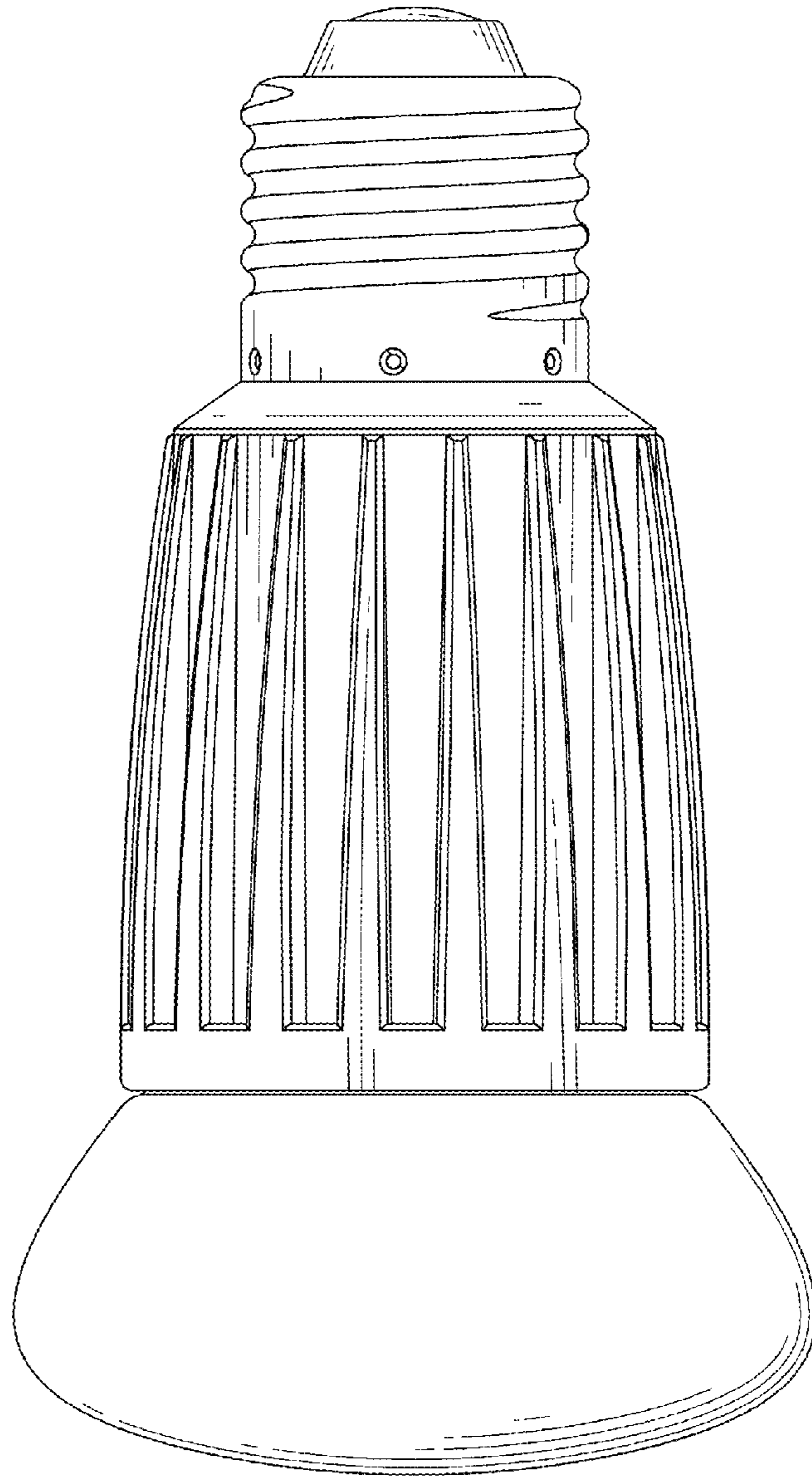


FIG. 2

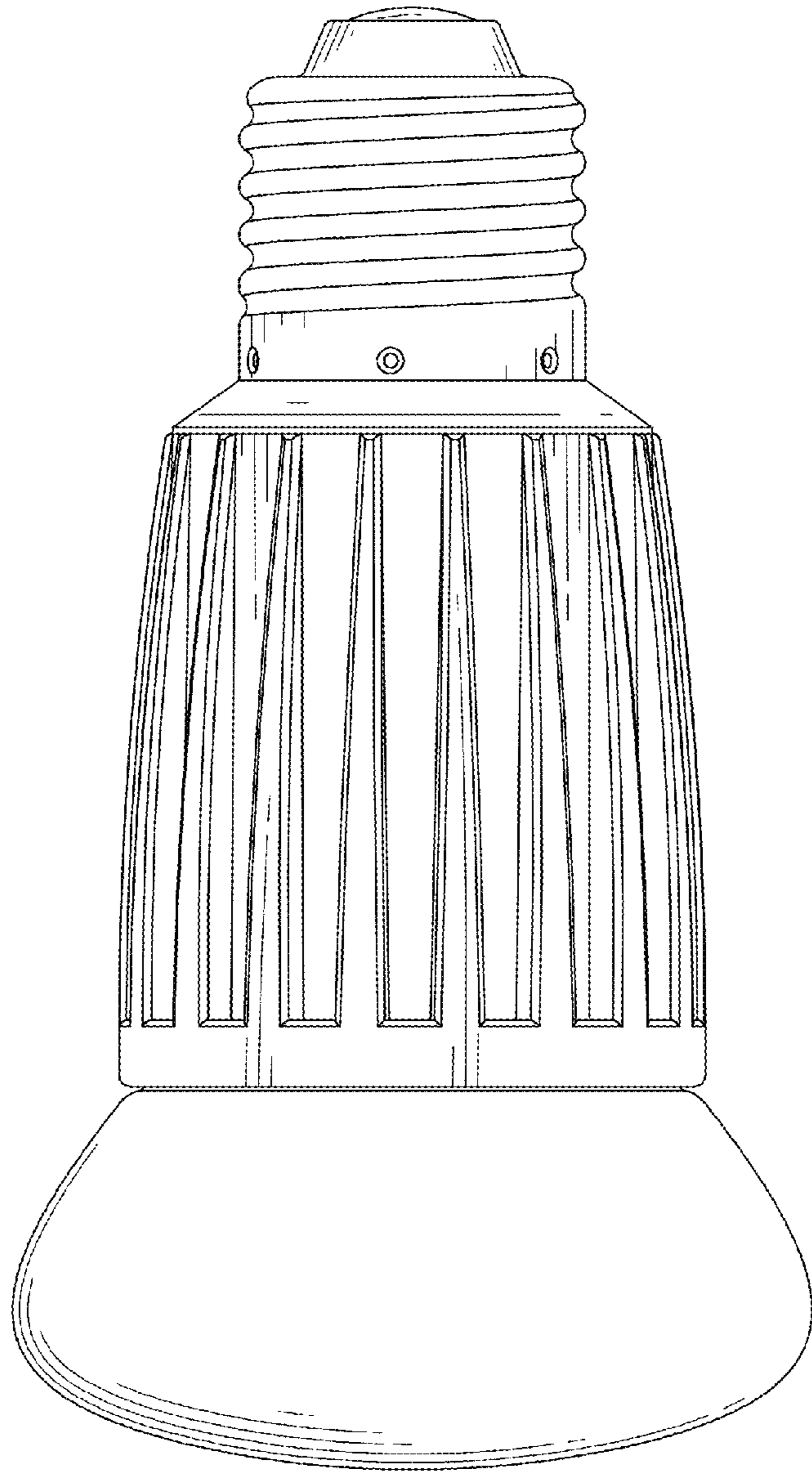


FIG. 3

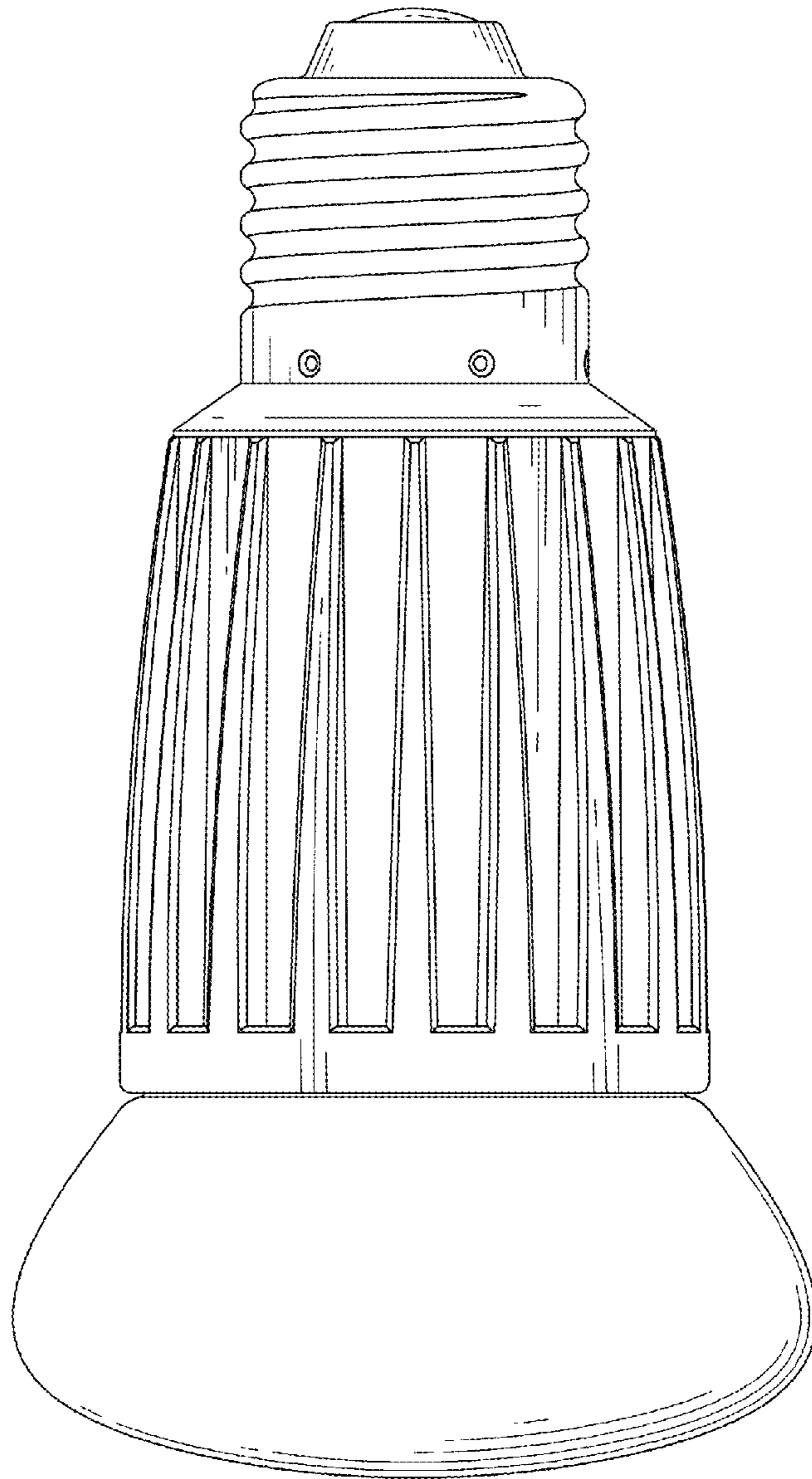


FIG. 4

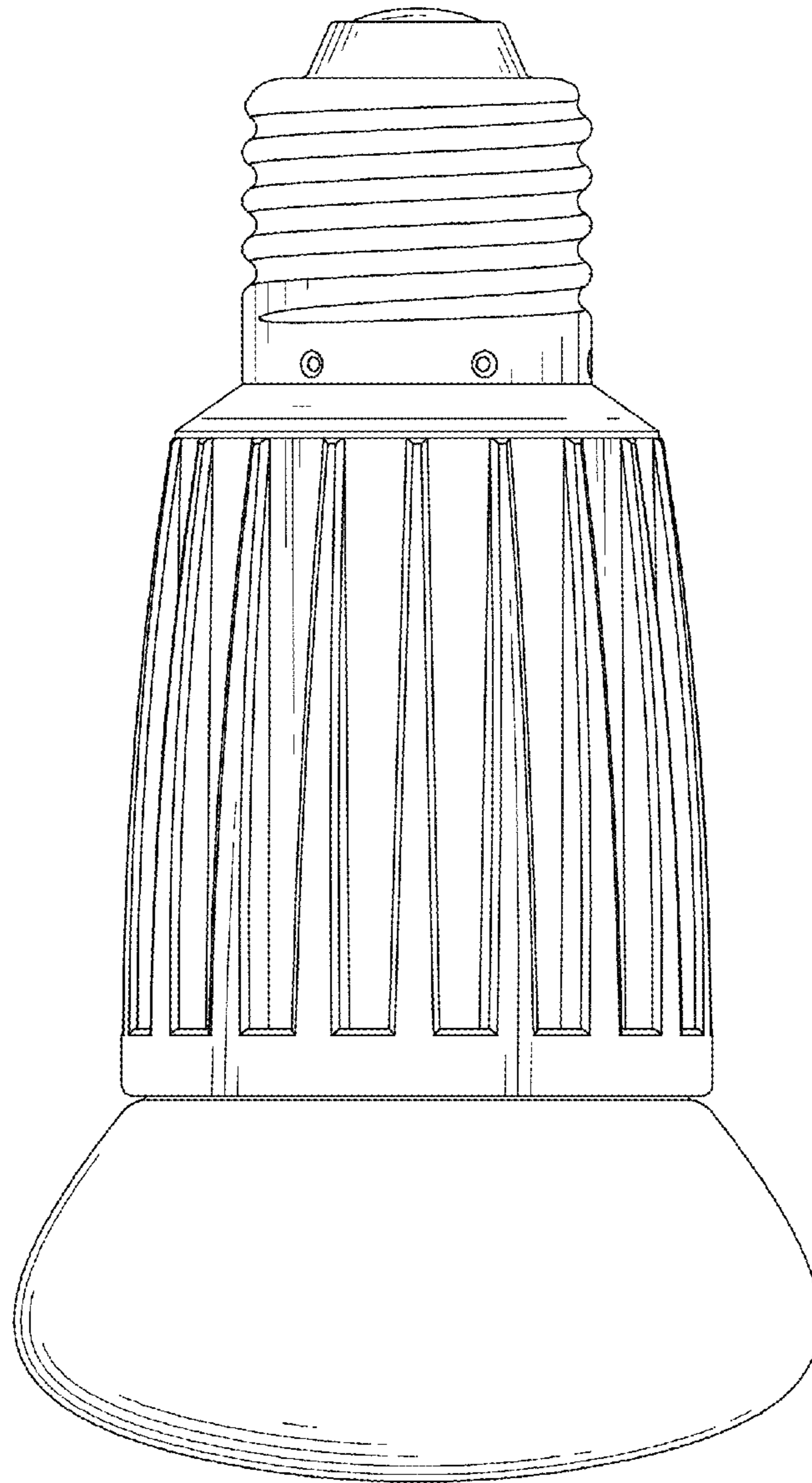


FIG. 5

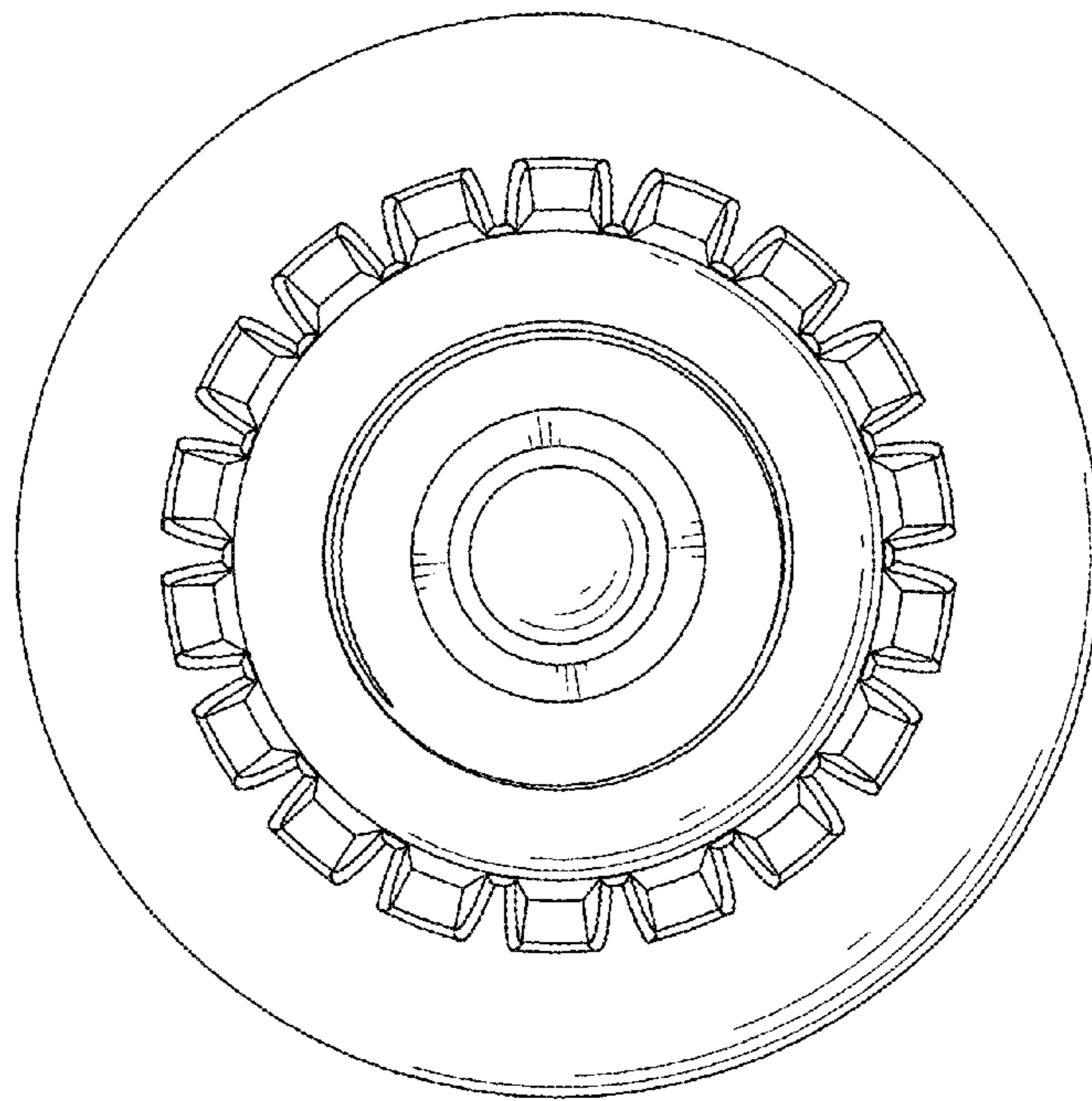


FIG. 6

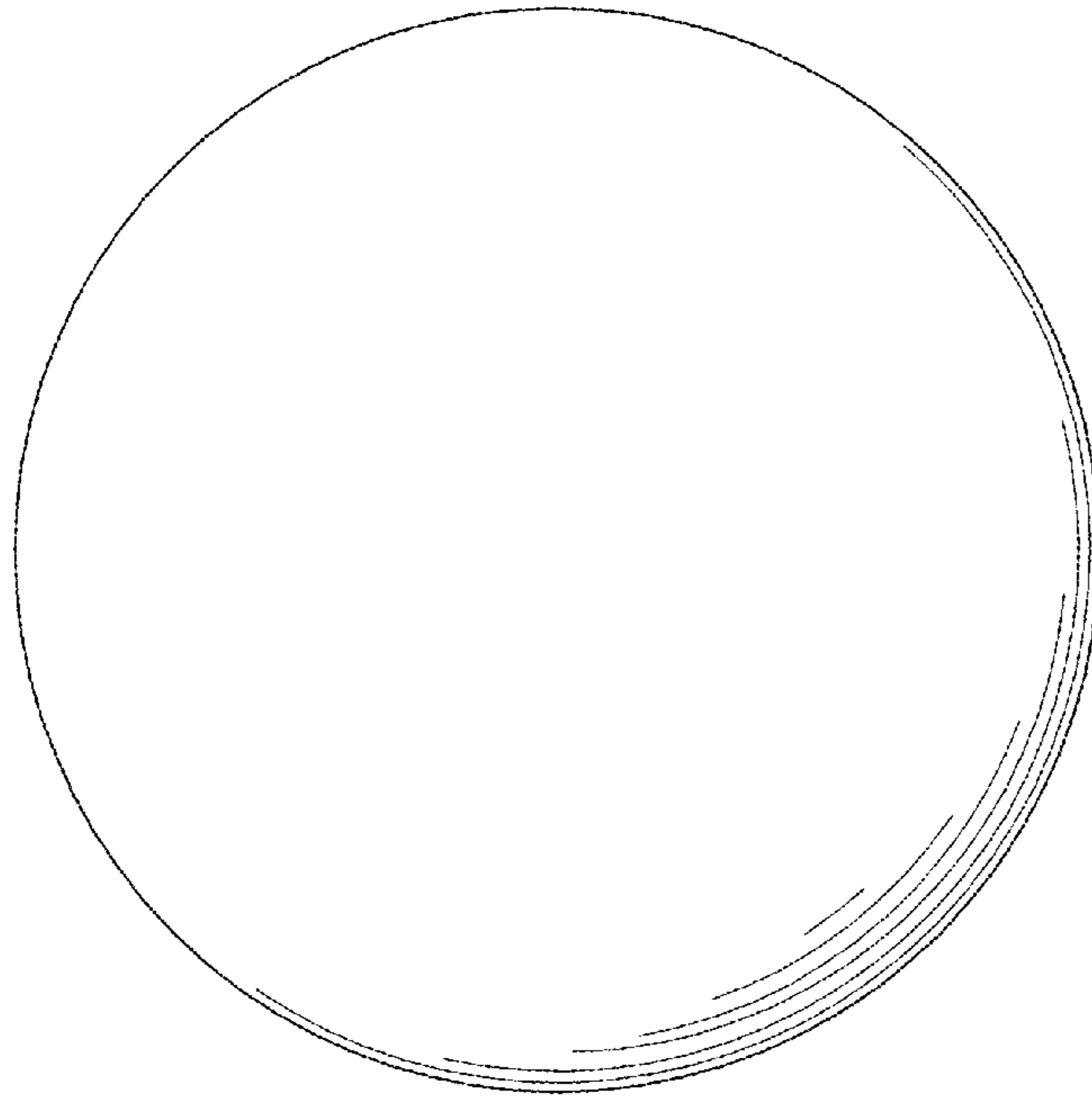


FIG. 7