



US00D668797S

(12) **United States Design Patent**
Xu

(10) **Patent No.:** **US D668,797 S**
(45) **Date of Patent:** **** Oct. 9, 2012**

(54) **LED LAMP**

(75) Inventor: **Justin Yun Fei Xu**, Shanghai (CN)

(73) Assignee: **Koninklijke Philips Electronics N.V.**,
Eindhoven (NL)

(**) Term: **14 Years**

(21) Appl. No.: **29/405,530**

(22) Filed: **Nov. 3, 2011**

(30) **Foreign Application Priority Data**

May 5, 2011 (EM) 001859711-0001

(51) **LOC (9) Cl.** **26-04**

(52) **U.S. Cl.** **D26/2**

(58) **Field of Classification Search** D26/1-4;
313/313, 315, 316, 317, 318, 493; 315/52,
315/53, 56, 57, 58

See application file for complete search history.

(56) **References Cited**

U.S. PATENT DOCUMENTS

D531,741 S * 11/2006 Takahashi D26/2
D535,038 S * 1/2007 Egawa et al. D26/2

D541,440 S * 4/2007 Feit D26/2
D553,267 S * 10/2007 Yuen D26/2
D574,091 S * 7/2008 Sun D26/2
D582,577 S * 12/2008 Yuen D26/2
D584,838 S * 1/2009 To et al. D26/2
D590,523 S * 4/2009 Takahashi D26/2
D598,143 S * 8/2009 Gerritsen D26/2
D612,075 S * 3/2010 Chen et al. D26/2
D658,789 S * 5/2012 Gielen et al. D26/2

* cited by examiner

Primary Examiner — Marcus Jackson

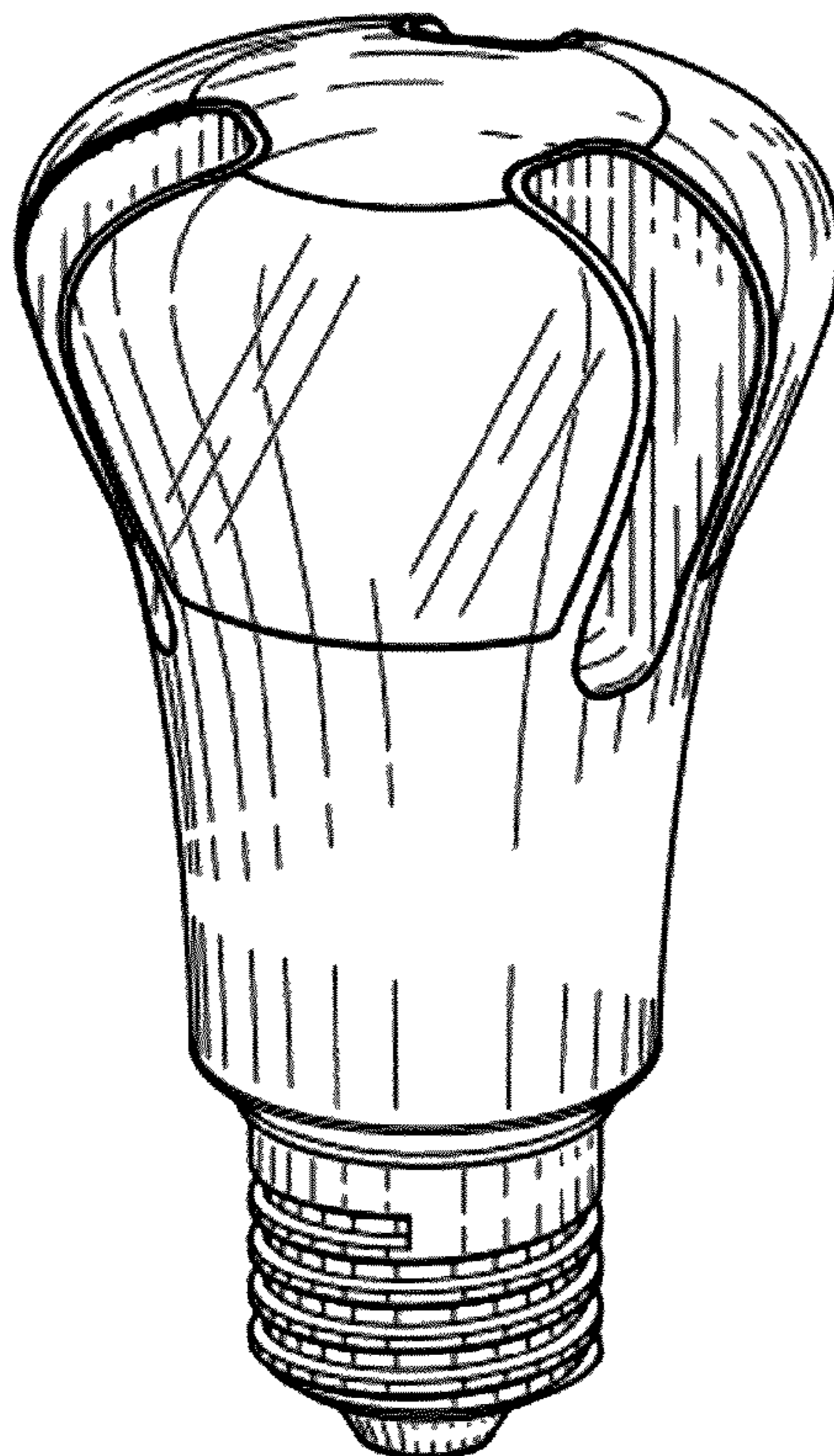
(57) **CLAIM**

The ornamental design for a LED lamp, as shown.

DESCRIPTION

FIG. 1 is a perspective view showing my design;
FIG. 2 is a front elevational view thereof;
FIG. 3 is a rear elevational view thereof;
FIG. 4 is a right side elevational view thereof;
FIG. 5 is a left side elevational view thereof;
FIG. 6 is a top plan view thereof; and,
FIG. 7 is a bottom plan view thereof.

1 Claim, 3 Drawing Sheets



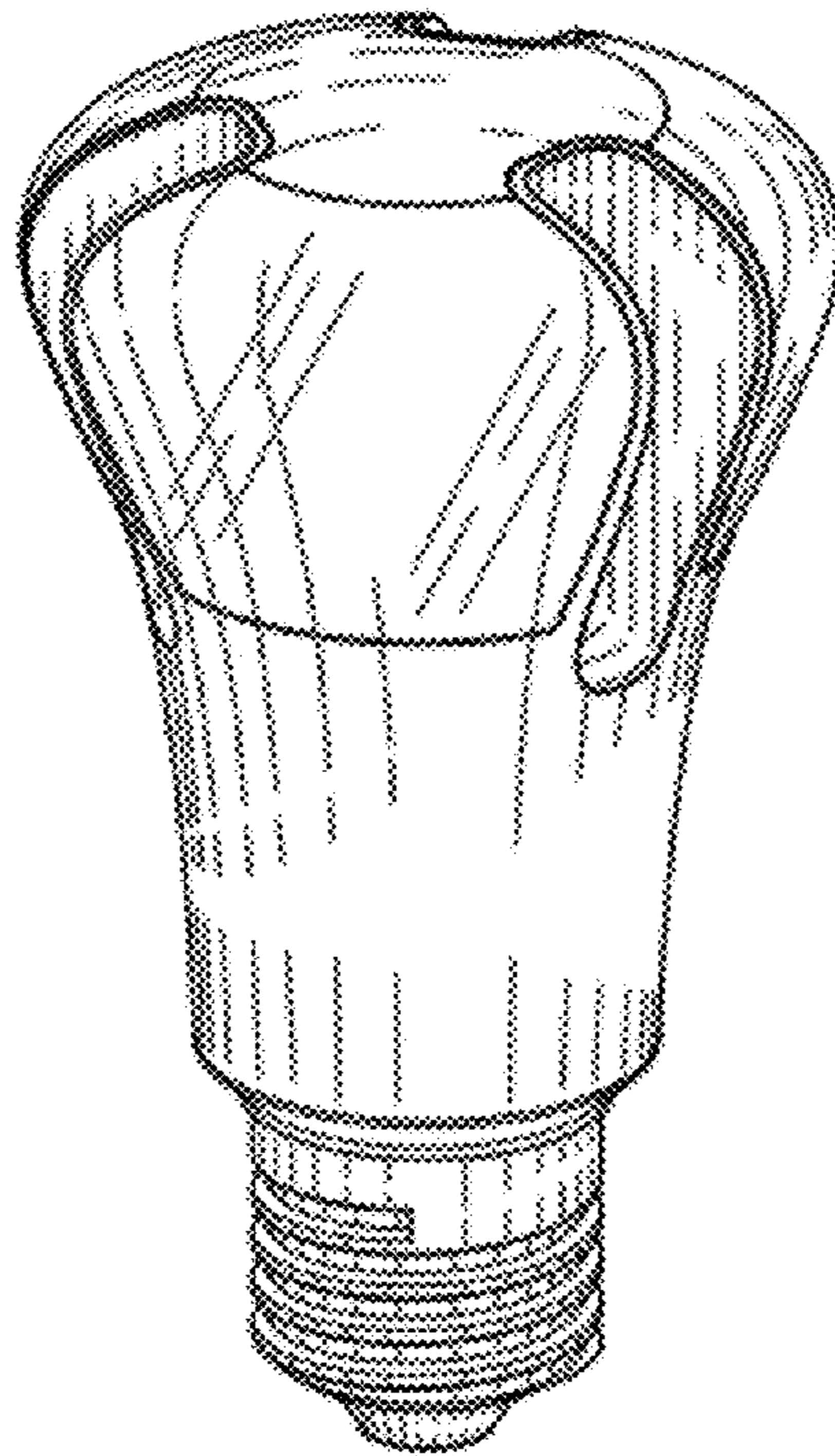


FIG. 1

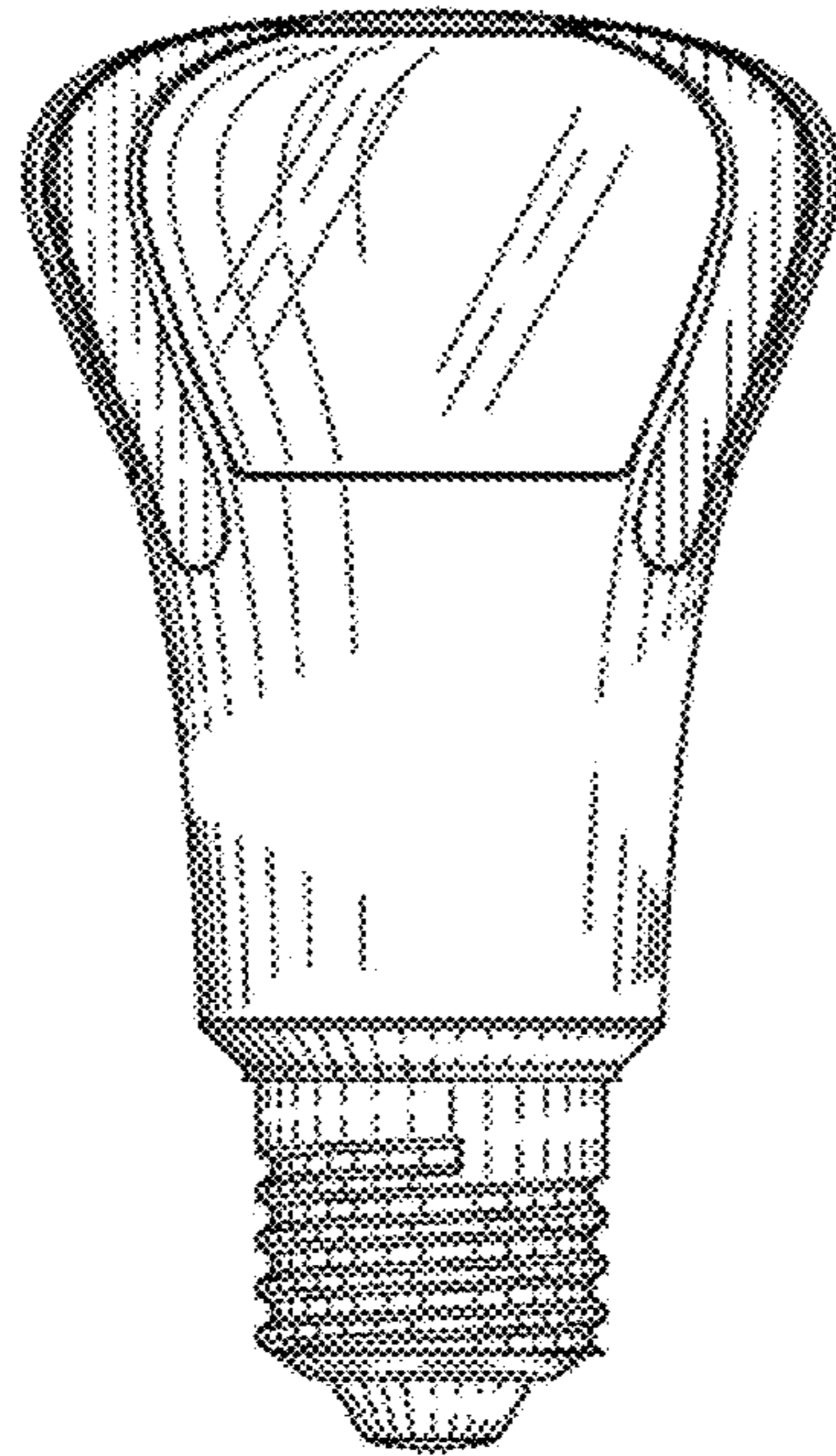


FIG. 2

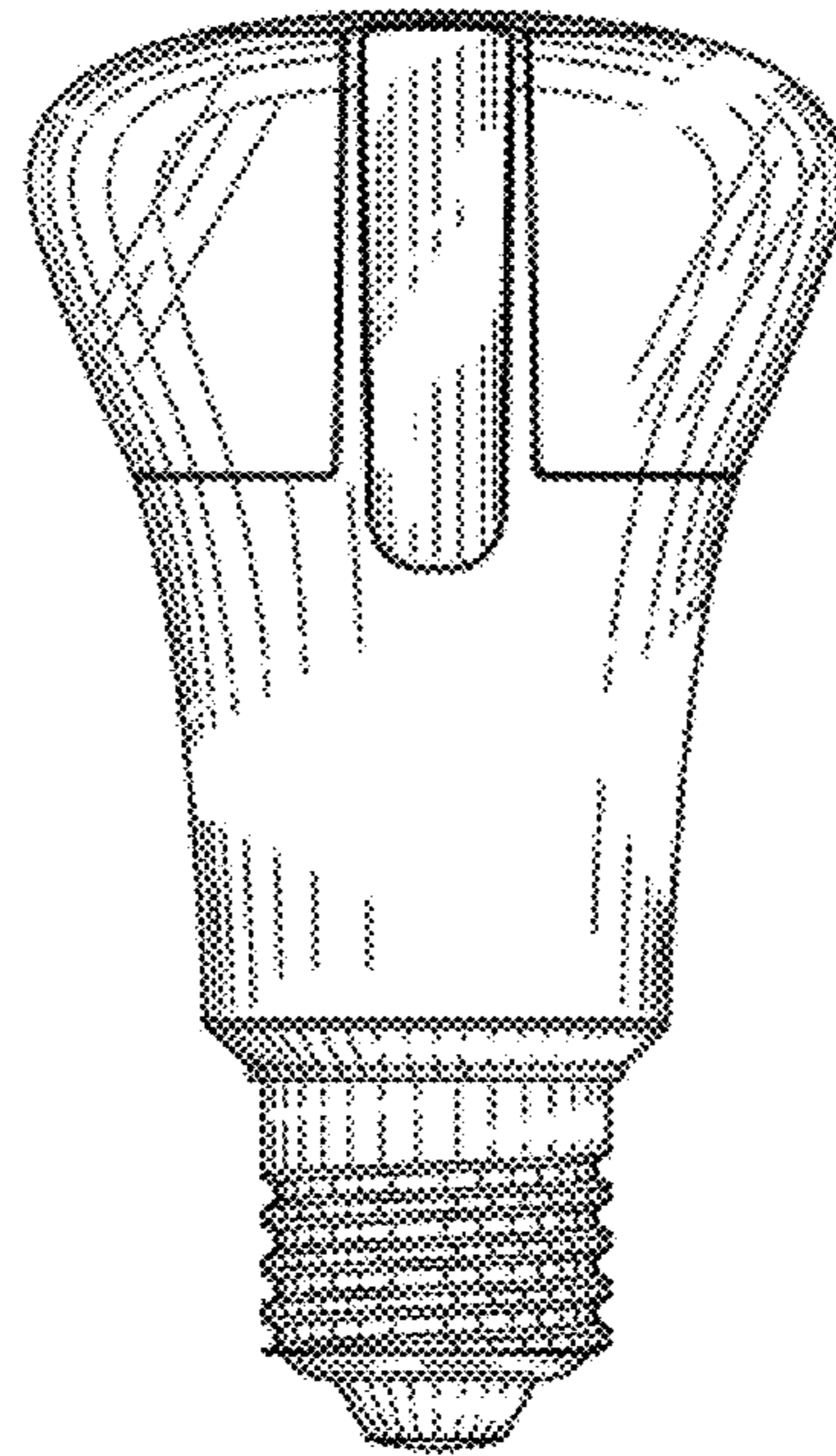


FIG. 3

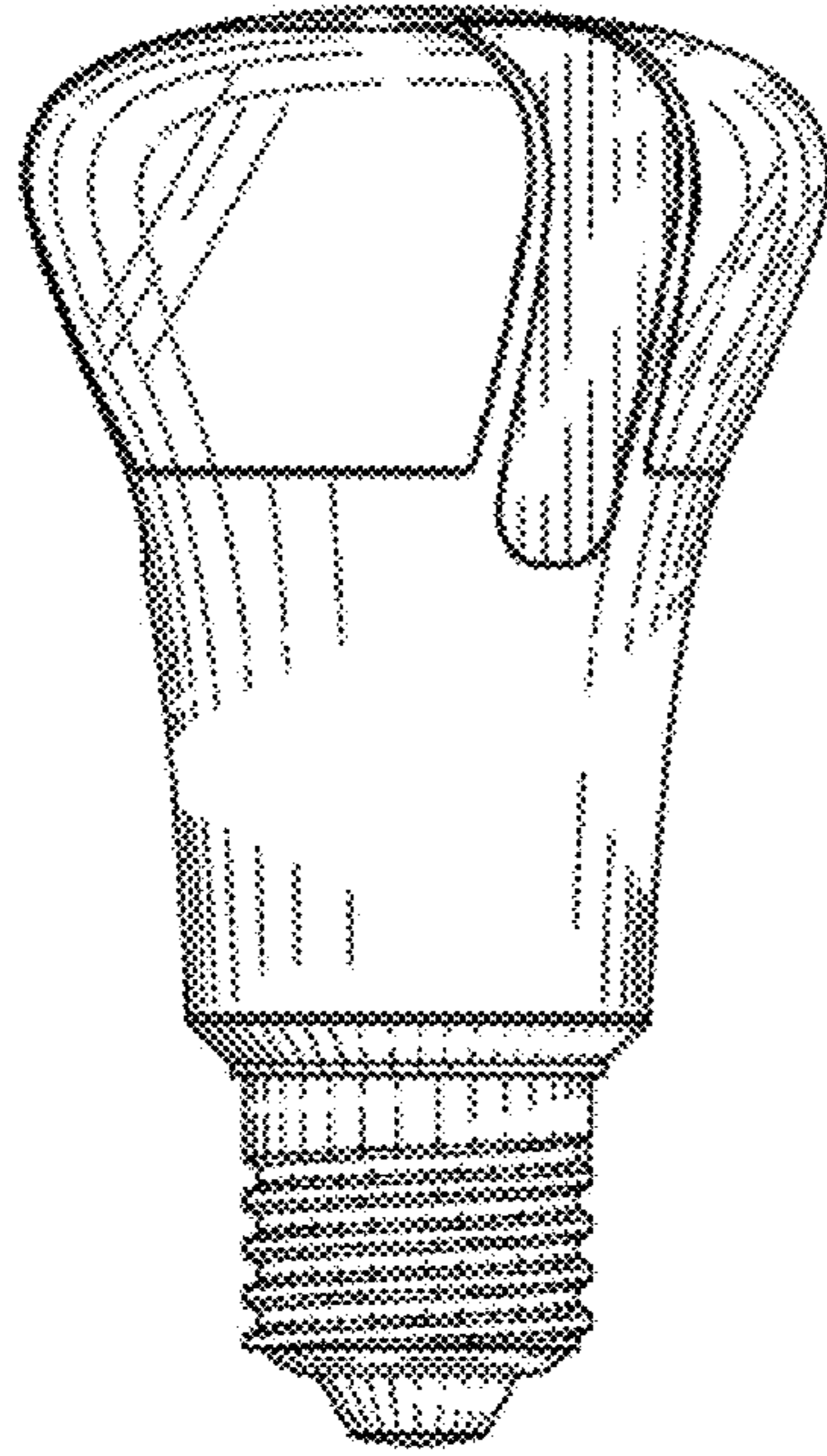


FIG. 4

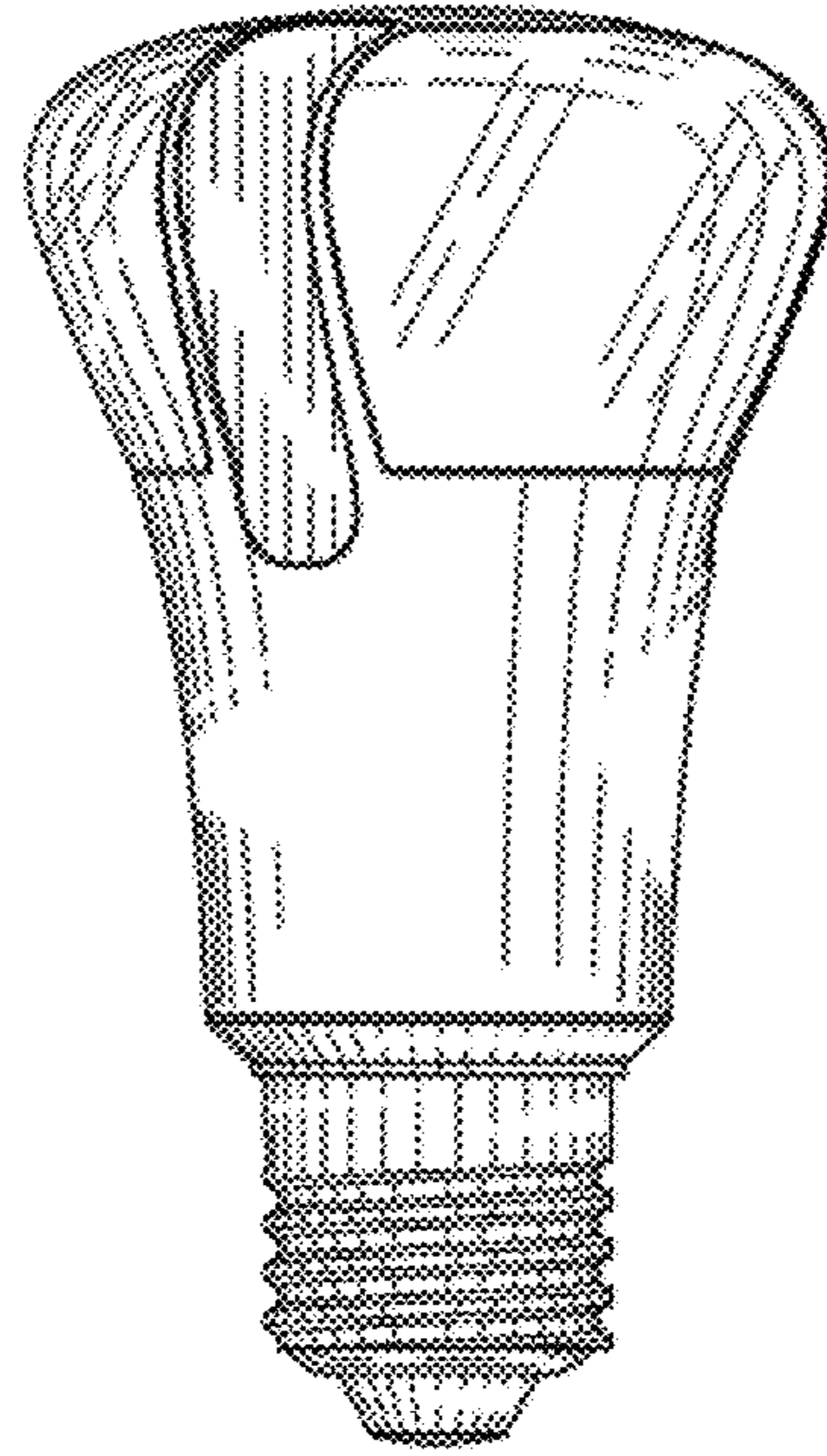


FIG. 5

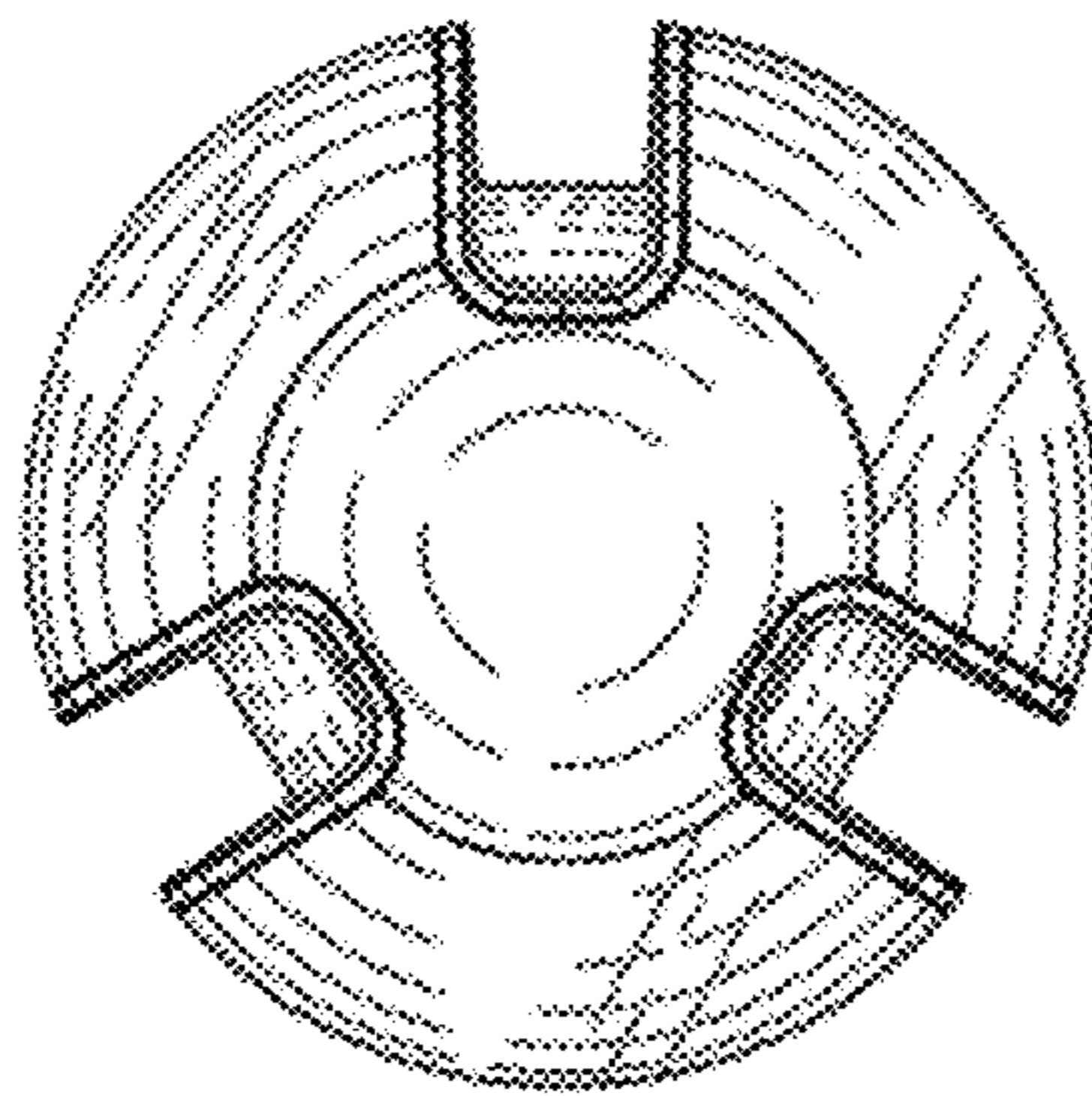


FIG. 6

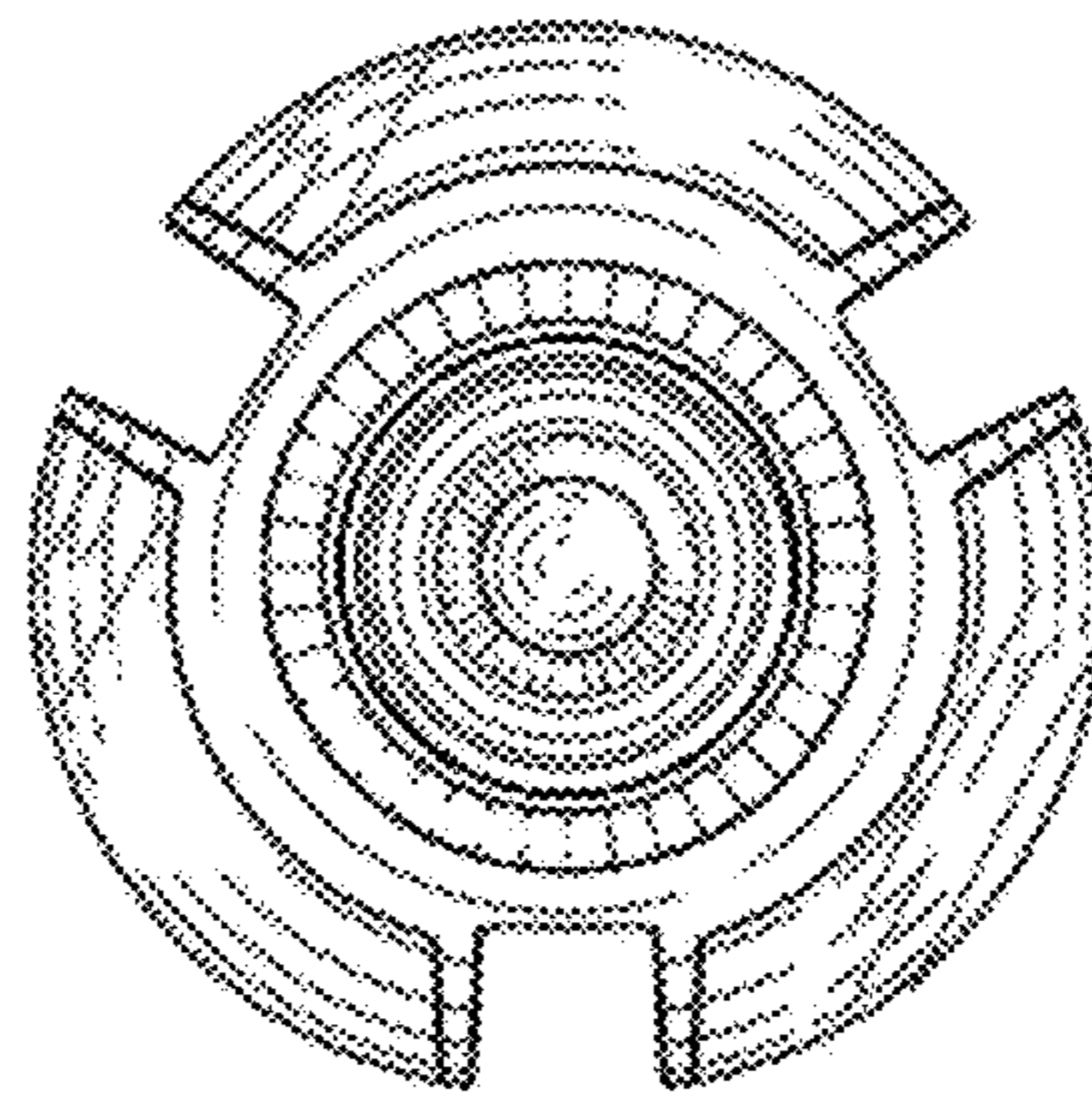


FIG. 7