



US00D668795S

(12) **United States Design Patent**
Thompson et al.

(10) **Patent No.:** **US D668,795 S**

(45) **Date of Patent:** **** Oct. 9, 2012**

(54) **ROOF SHINGLE**

(76) Inventors: **Michael J. Thompson**, Westerville, OH (US); **Allen E. Preuss**, Piqua, OH (US); **Fredrick R. Schneider**, Piqua, OH (US); **Brian A. Pierson**, Santa Cruz, CA (US)

(**) Term: **14 Years**

(21) Appl. No.: **29/401,998**

(22) Filed: **Sep. 19, 2011**

(51) **LOC (9) Cl.** **25-01**

(52) **U.S. Cl.** **D25/141**

(58) **Field of Classification Search** D25/139, D25/140, 141, 143, 144; 52/519, 518, 523, 52/524, 526, 535, 554, 555, 556, 560, 557, 52/558, 311.1, 311.2, 314
See application file for complete search history.

(56) **References Cited**

U.S. PATENT DOCUMENTS

347,843 A * 8/1886 Thorn 52/557
1,572,377 A * 2/1926 Blair 52/553

2,029,869 A * 2/1936 Hering 52/466
D366,125 S * 1/1996 Tamura D25/141
D495,066 S * 8/2004 Liebscher D25/141
D587,821 S * 3/2009 Larsen D25/141

* cited by examiner

Primary Examiner — Doris Clark

(74) *Attorney, Agent, or Firm* — Kegler Brown Hill & Ritter; James J. Pingor

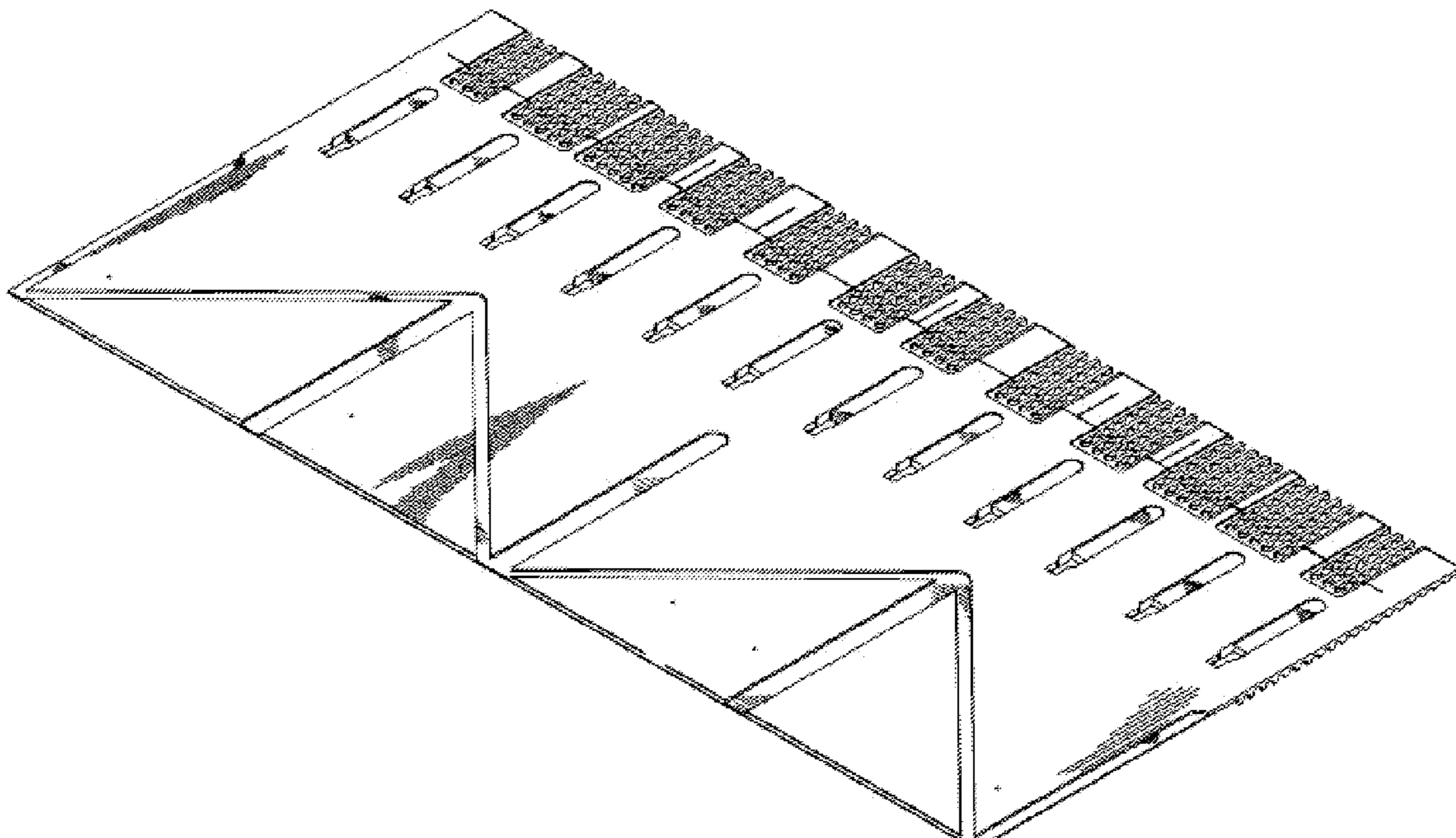
(57) **CLAIM**

We claim the ornamental design of the roof shingle, as shown and described.

DESCRIPTION

FIG. 1 is a right front perspective view of a roof shingle; FIG. 2 is a front view thereof; FIG. 3 is a top view thereof; FIG. 4 is a bottom view thereof; FIG. 5 is a left side view thereof; FIG. 6 is a right side view thereof; and, FIG. 7 is a rear view thereof.

1 Claim, 4 Drawing Sheets



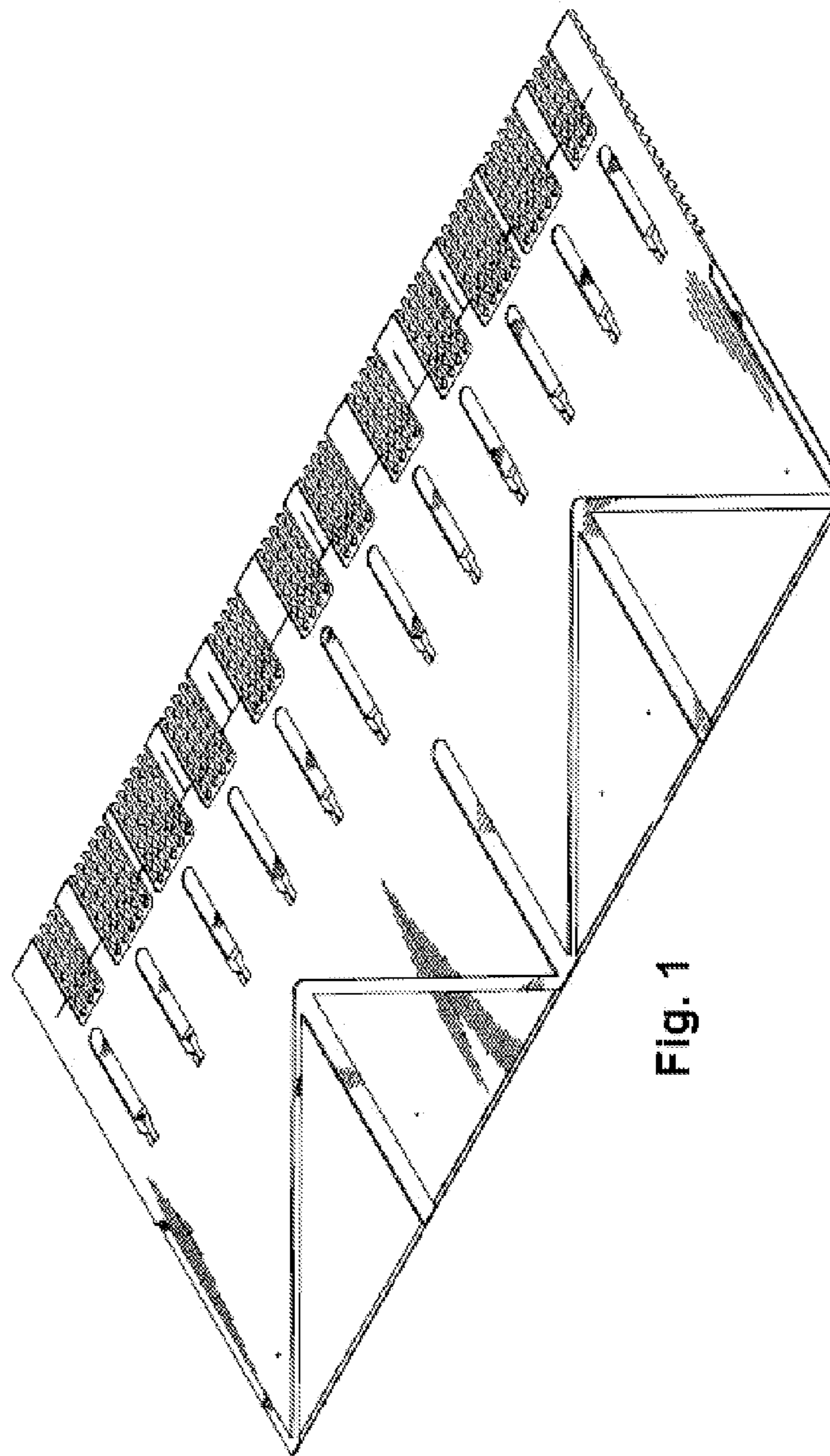


Fig. 1



Fig. 2

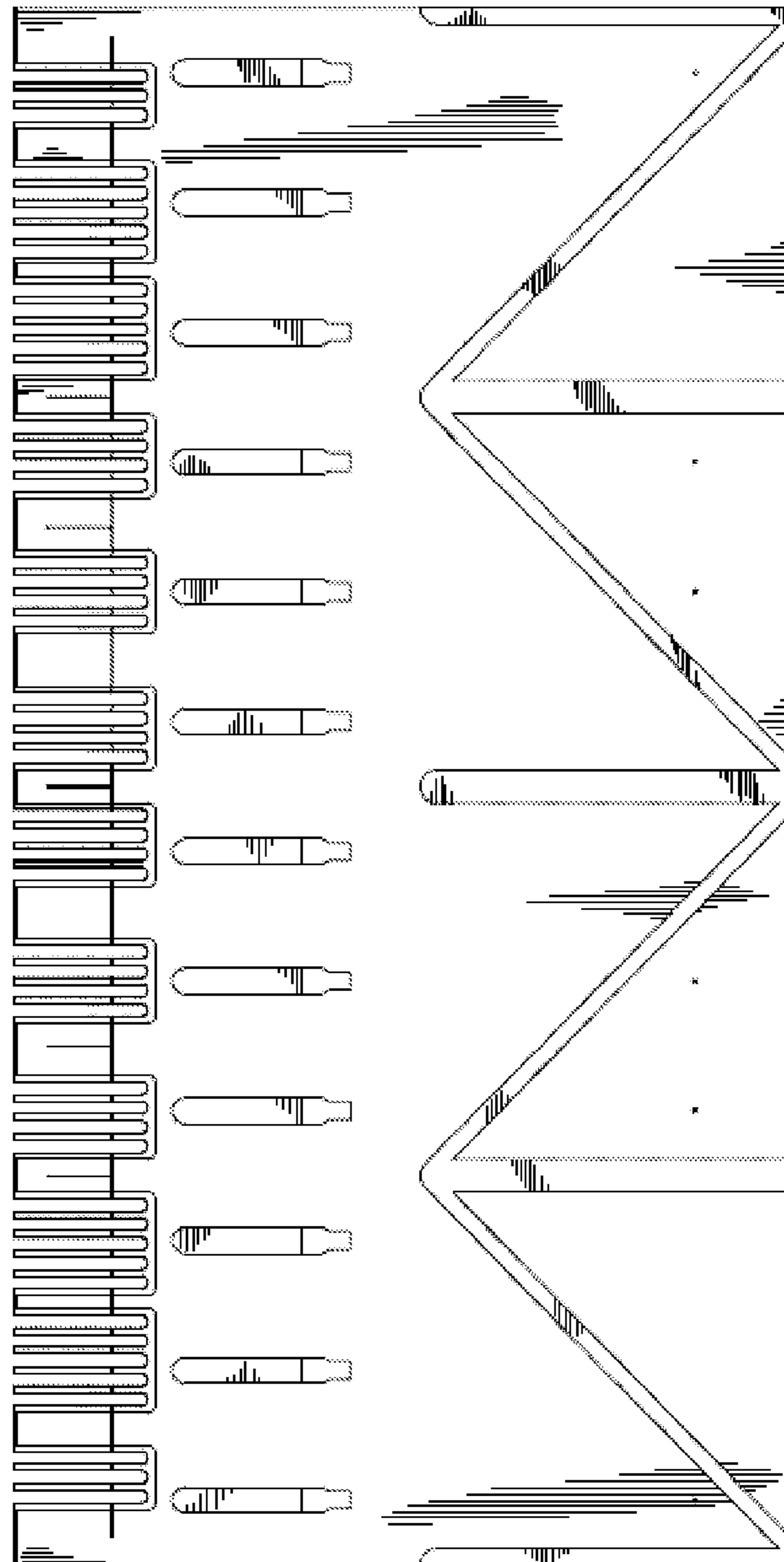


Fig. 3

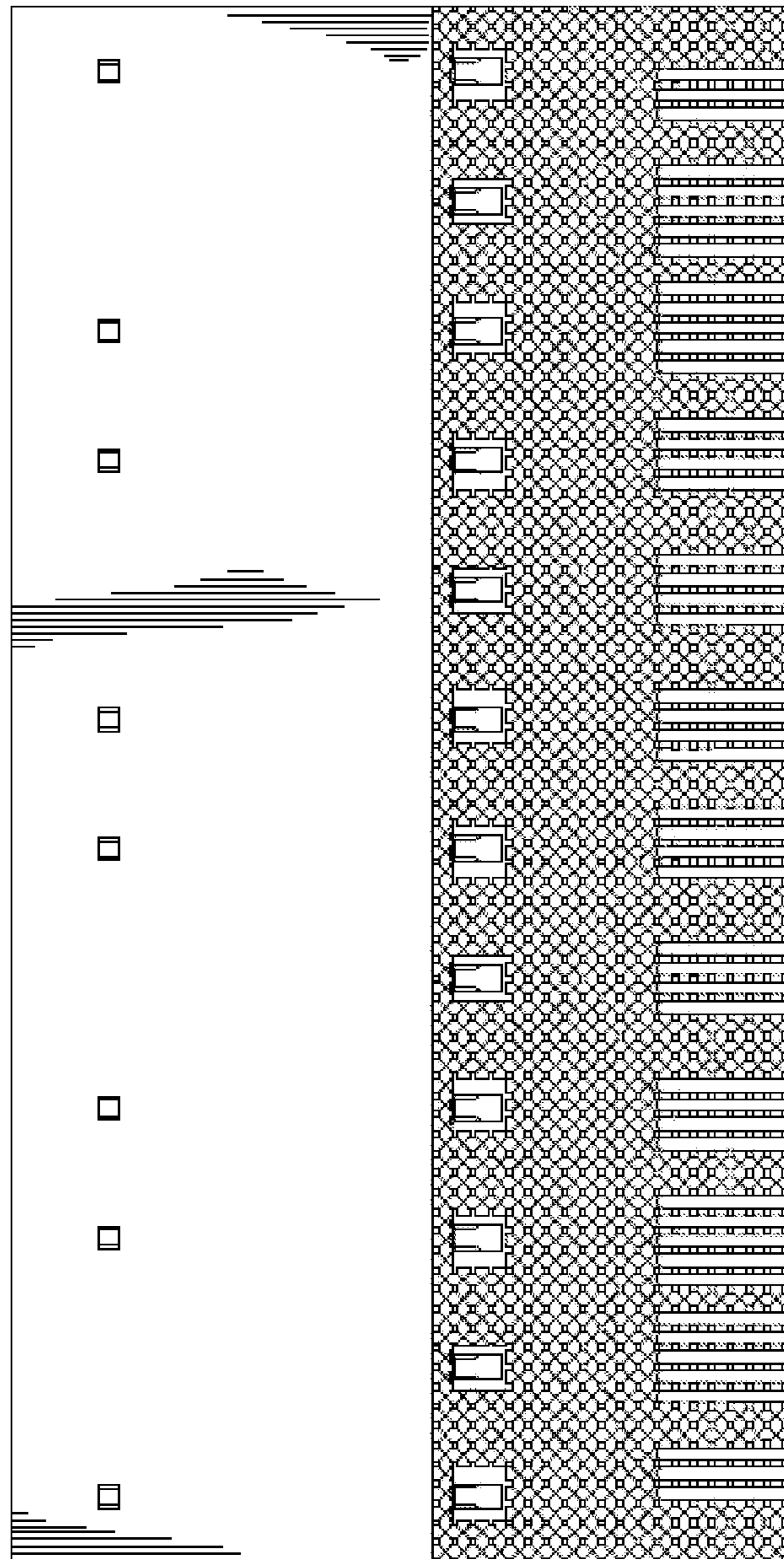


Fig. 4



Fig. 5



Fig. 6



Fig. 7