

US00D668791S

(12) **United States Design Patent**
Walsh

(10) **Patent No.:** **US D668,791 S**

(45) **Date of Patent:** **** Oct. 9, 2012**

(54) **LITE FOR DOORS AND ENTRYWAYS**

(75) Inventor: **Jason Walsh**, Batavia, IL (US)

(73) Assignee: **Masonite Corporation**, Tampa, FL (US)

(**) Term: **14 Years**

(21) Appl. No.: **29/409,476**

(22) Filed: **Dec. 23, 2011**

(51) **LOC (9) Cl.** **25-01**

(52) **U.S. Cl.** **D25/111**

(58) **Field of Classification Search** D25/103,
D25/110, 111, 106; 428/34, 38; 52/204.59
See application file for complete search history.

(56) **References Cited**

U.S. PATENT DOCUMENTS

286,434	A *	10/1883	Herzog	428/38
1,612,054	A *	12/1926	Rez	428/38
1,678,439	A *	7/1928	Le Roy	428/38
4,619,850	A *	10/1986	Charlton	428/38
D336,139	S *	6/1993	Wilkening et al.	D25/103
6,185,883	B1 *	2/2001	Howard	52/204.59
D478,674	S *	8/2003	Lamberts	D25/110

D482,132	S *	11/2003	Alexander	D25/103
D488,565	S *	4/2004	Bresciani	D25/111
6,736,534	B1 *	5/2004	Fite	362/576

* cited by examiner

Primary Examiner — Doris Clark

(74) *Attorney, Agent, or Firm* — Bernato & White, LLC

(57) **CLAIM**

The ornamental design for a lite for doors and entryways, as shown and described.

DESCRIPTION

FIG. 1 is a front elevational view of my design;
FIG. 2 is a front elevational view of a second embodiment;
FIG. 3 is a front elevational view of a third embodiment;
FIG. 4 is a front elevational view of a fourth embodiment;
FIG. 5 is a front elevational view of a fifth embodiment;
FIG. 6 is a front elevational view of a sixth embodiment;
FIG. 7 is a front elevational view of a seventh embodiment;
and,
FIG. 8 is a front elevational view of an eighth embodiment.
The rear elevational view of each of FIGS. 1-8 is a mirror image thereof.

1 Claim, 8 Drawing Sheets

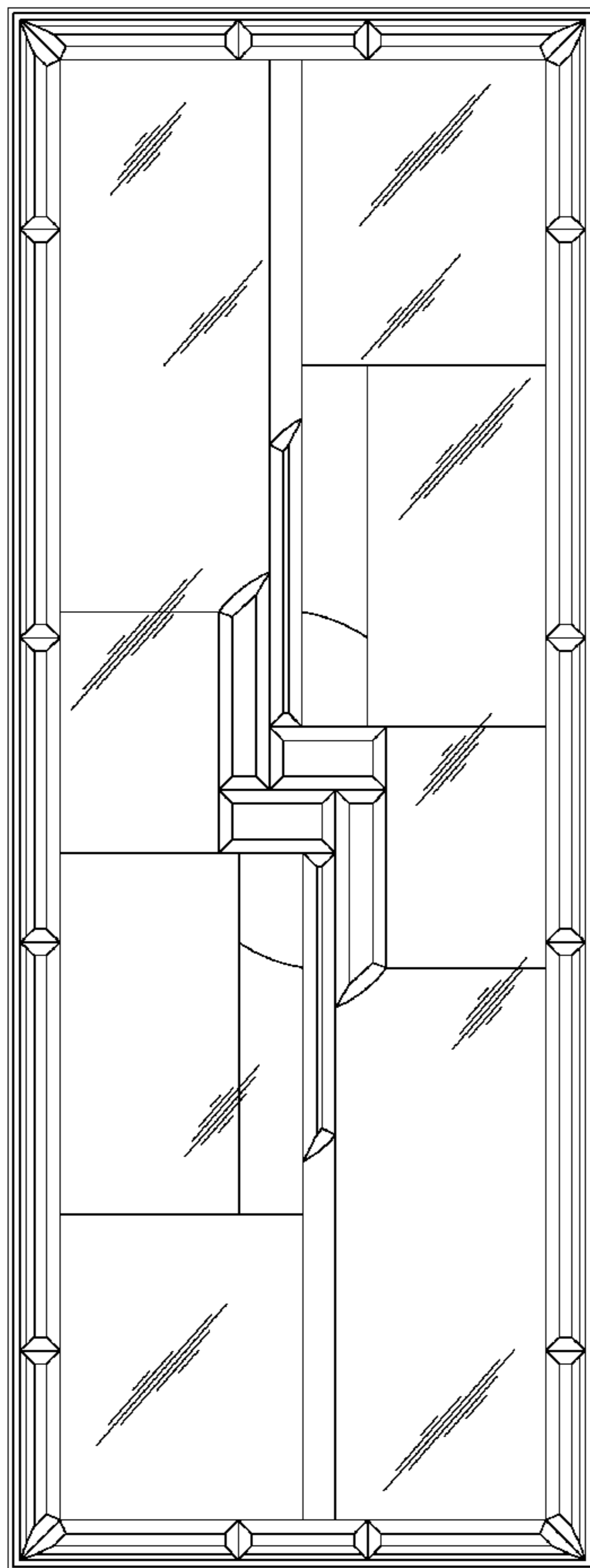


Fig. 1

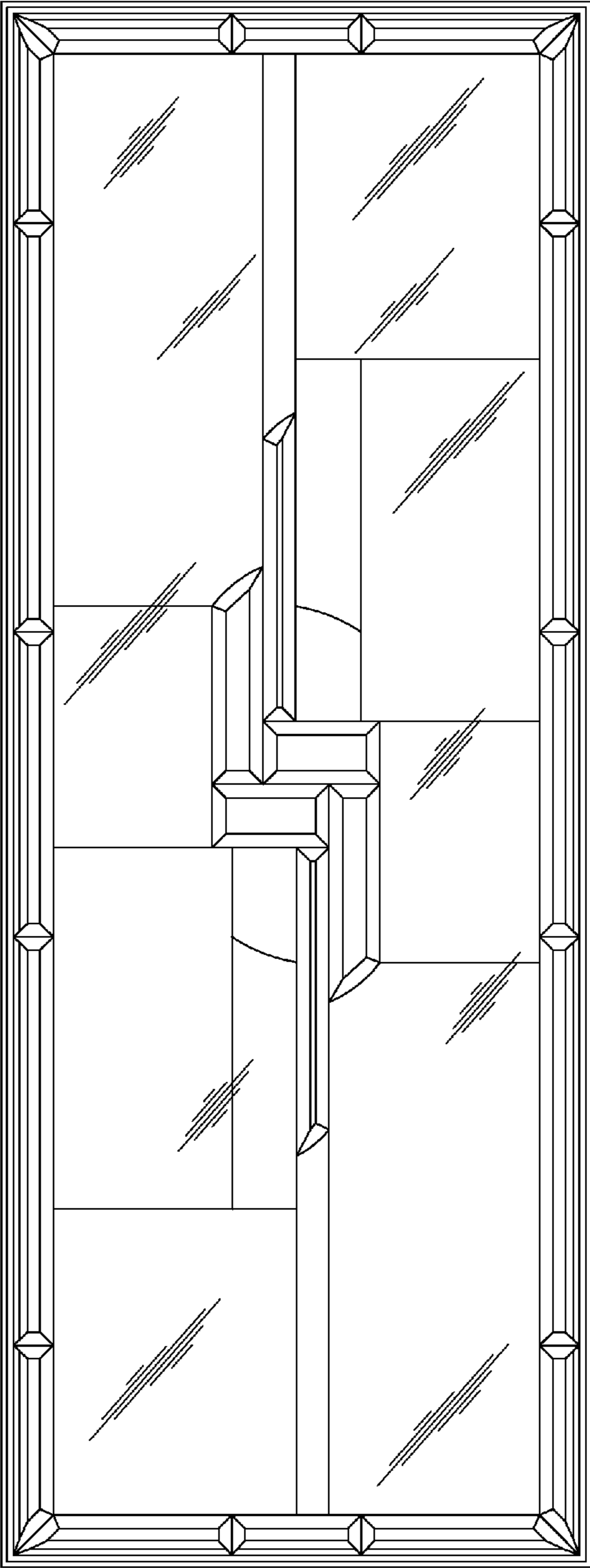


Fig. 2

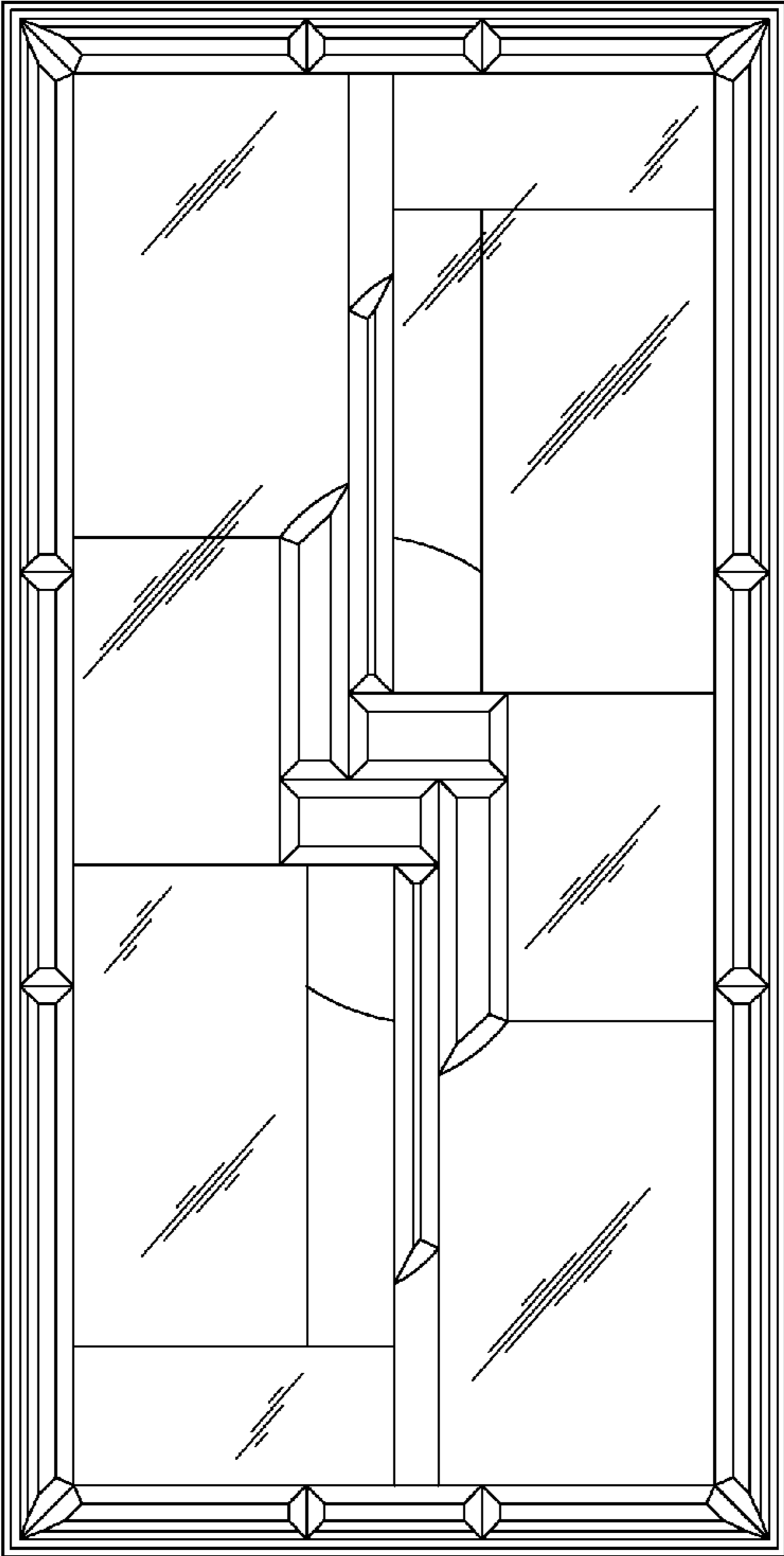


Fig. 3

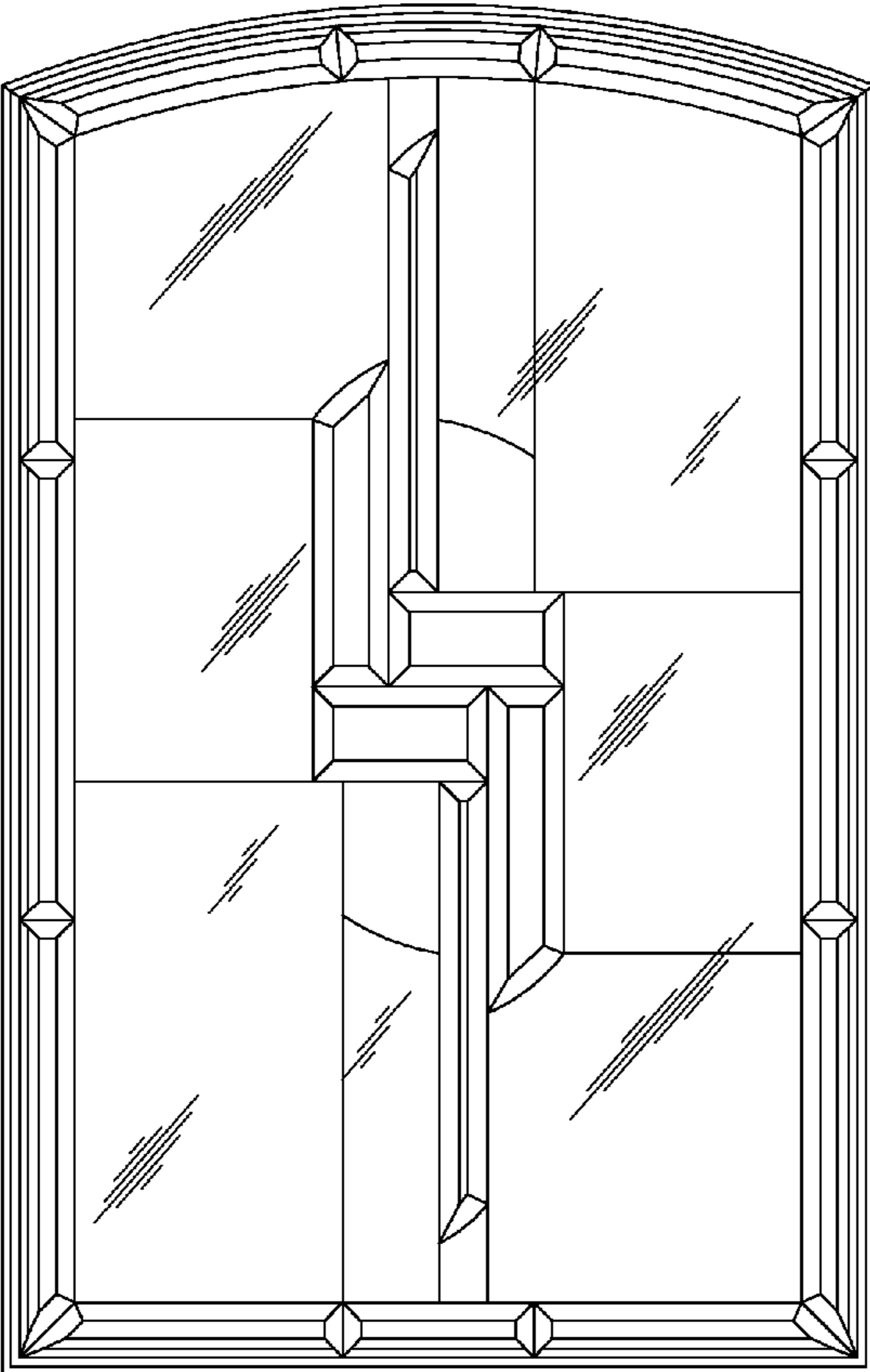


Fig. 4

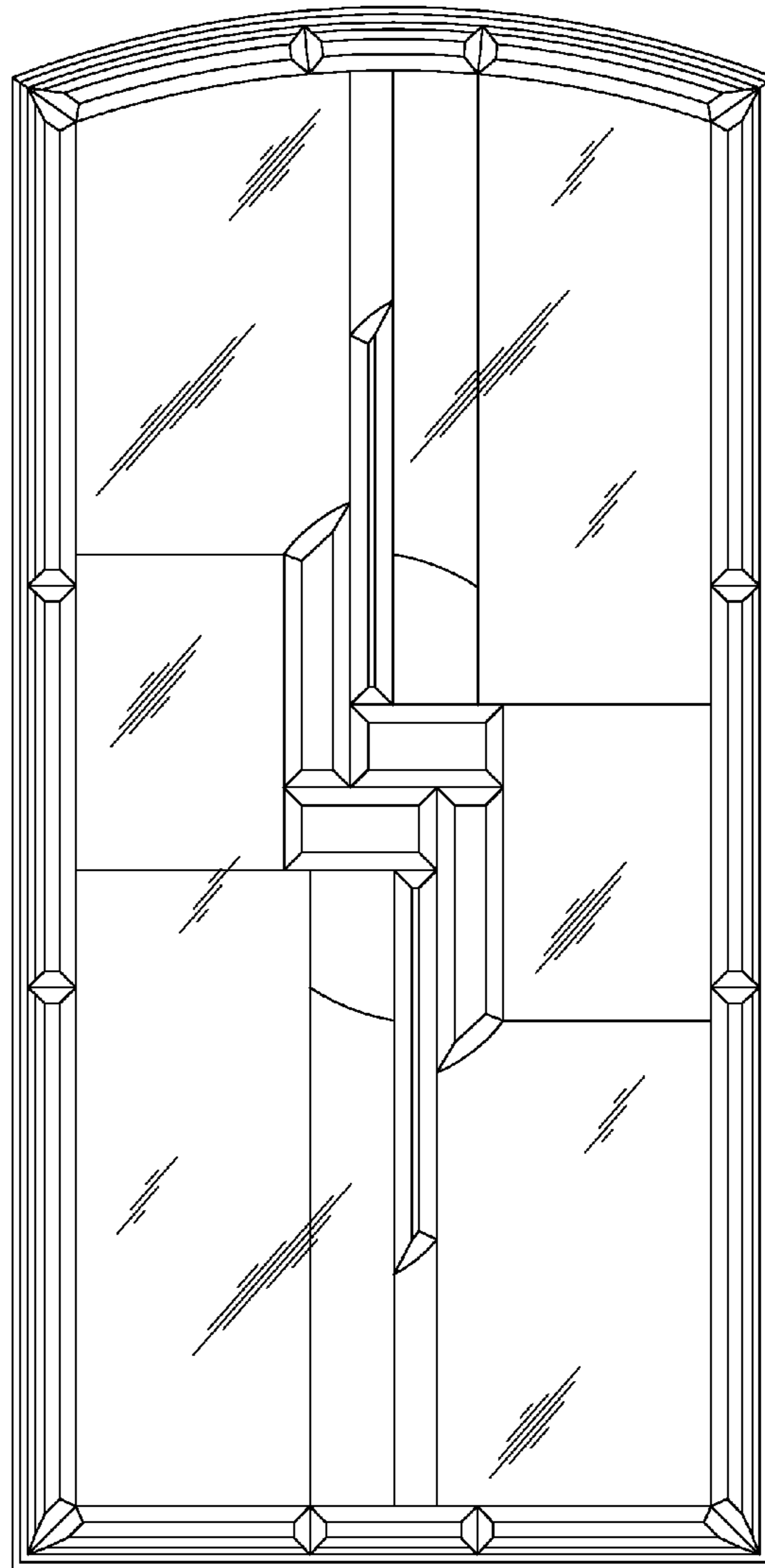


Fig. 5

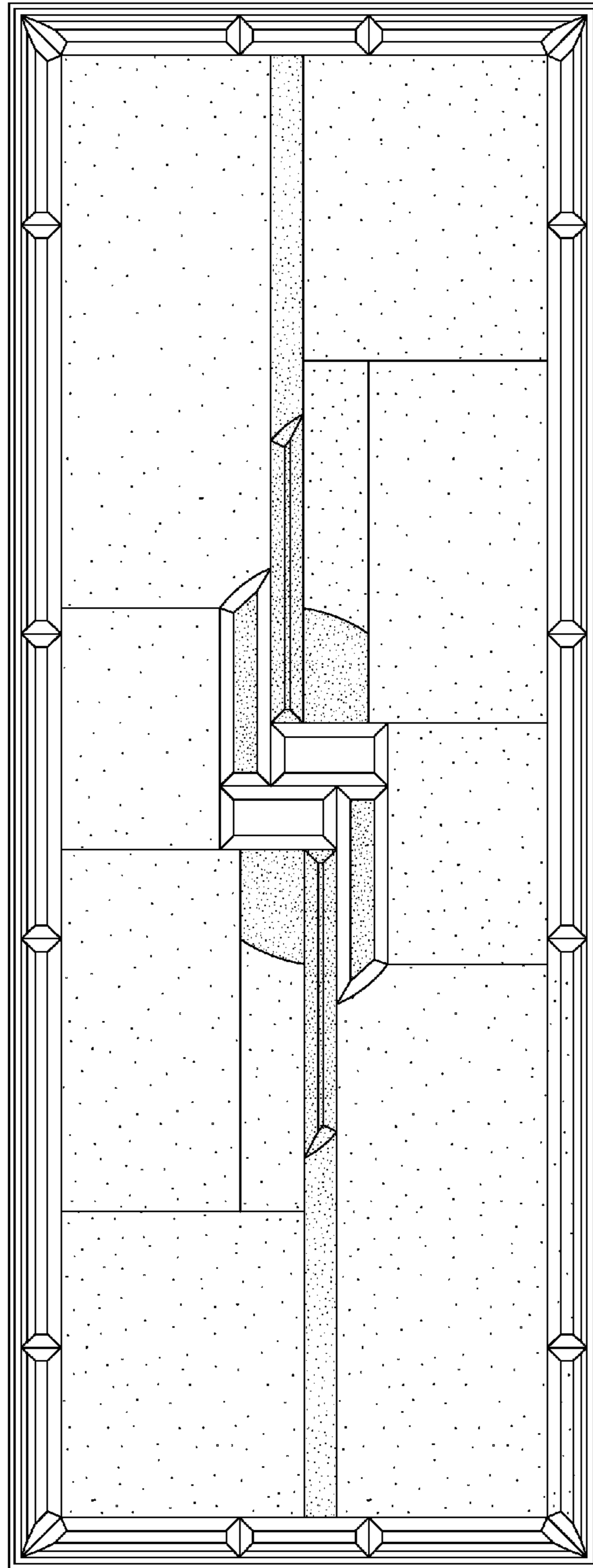


Fig. 6

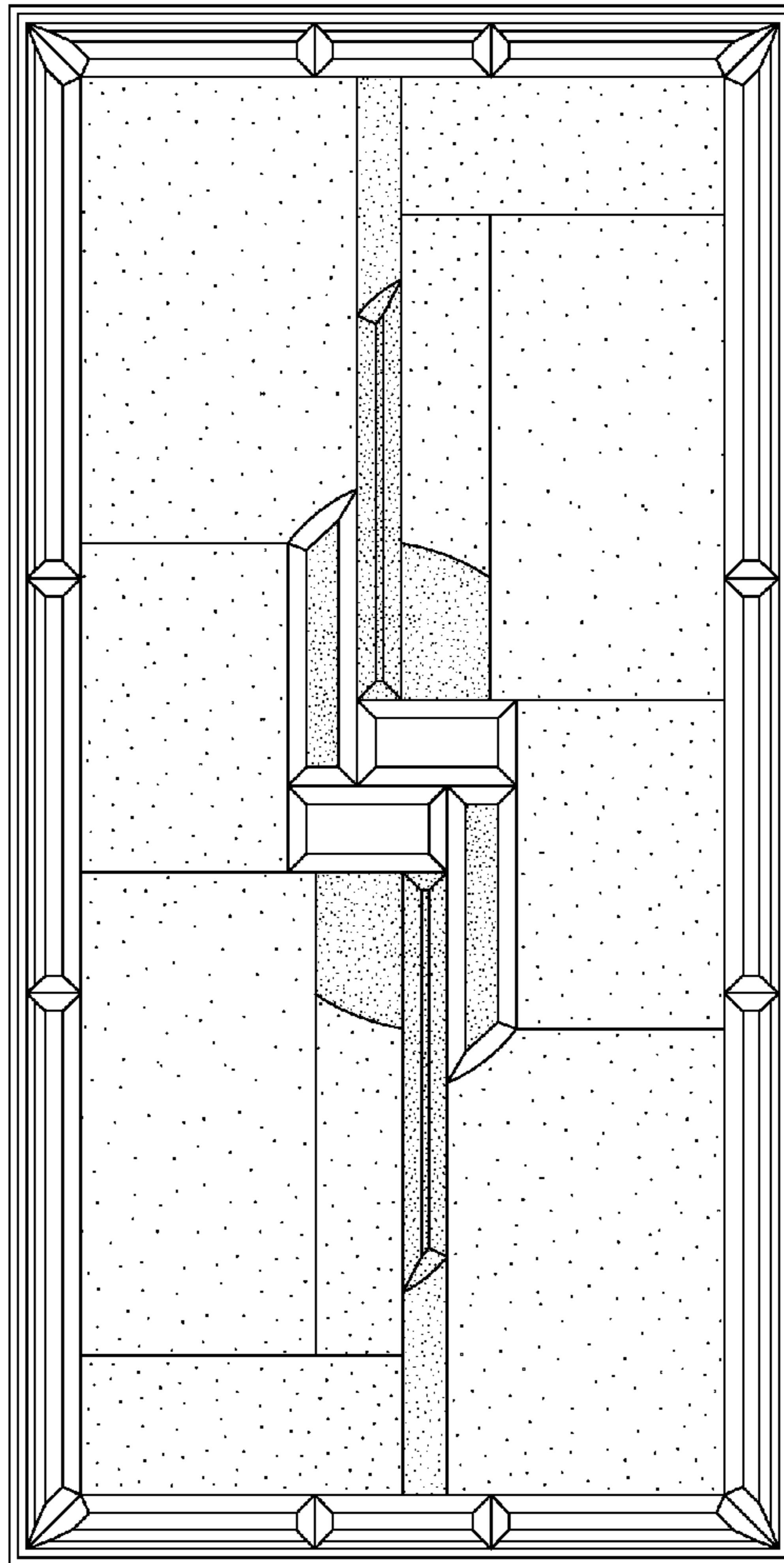


Fig. 7

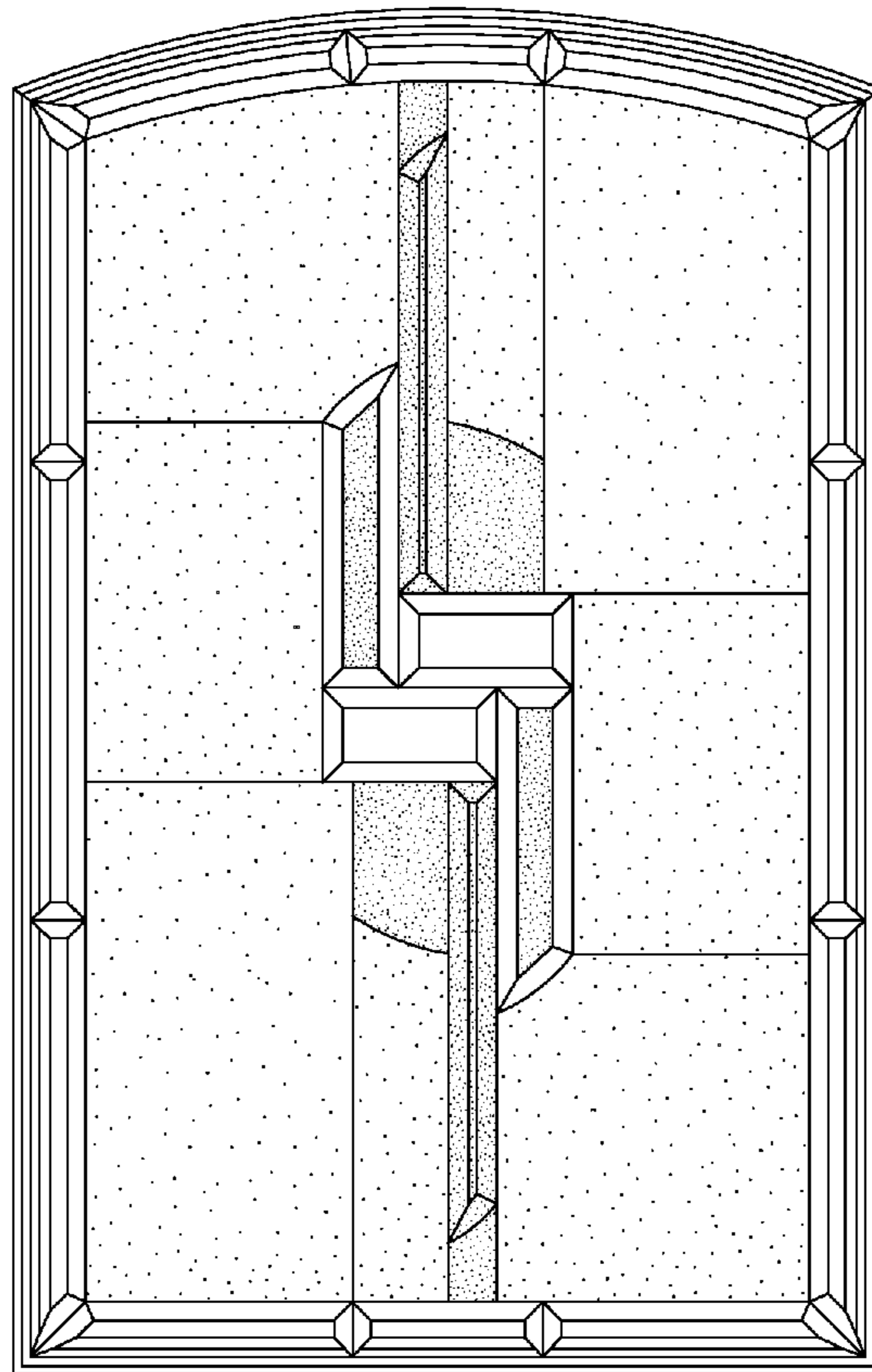


Fig. 8

