

US00D668789S

(12) **United States Design Patent**  
**Green**

(10) **Patent No.:** **US D668,789 S**

(45) **Date of Patent:** **\*\* Oct. 9, 2012**

(54) **SUPPORT RAIL FOR A LADDER**

(75) Inventor: **Jeffrey Alan Green**, Bartlesville, OK  
(US)

(73) Assignee: **Lock N Climb, LLC**, Bartlesville, OK  
(US)

(\*\*) Term: **14 Years**

(21) Appl. No.: **29/422,738**

(22) Filed: **May 23, 2012**

2,584,197 A	2/1952	Garner
2,887,260 A	5/1959	McKinnie
2,934,163 A	4/1960	Laweski
3,288,248 A	11/1966	Gurian et al.
3,374,860 A	3/1968	Stewart
3,933,221 A	1/1976	Sorenson
4,069,893 A	1/1978	Blackstone
4,147,231 A	4/1979	Chantler et al.
4,207,886 A	6/1980	Sorenson
4,244,446 A	1/1981	Mair
4,483,415 A	11/1984	Disston et al.
4,520,896 A	6/1985	Disston
4,542,874 A *	9/1985	Ronning ..... 248/238

(Continued)

**Related U.S. Application Data**

(63) Continuation of application No. 13/228,054, filed on Sep. 8, 2011, which is a continuation-in-part of application No. 12/877,310, filed on Sep. 8, 2010, which is a continuation-in-part of application No. 12/418,035, filed on Apr. 3, 2009.

(51) **LOC (9) Cl.** ..... **25-04**

(52) **U.S. Cl.** ..... **D25/68**

(58) **Field of Classification Search** ..... D25/68;  
182/107, 108, 109, 112; 248/238, 210  
See application file for complete search history.

(56) **References Cited**

**U.S. PATENT DOCUMENTS**

202,426 A	4/1878	Evans
281,977 A	7/1886	Coons
475,935 A	5/1892	Crews
515,783 A	3/1894	Moore
886,737 A	5/1908	Taylor
1,385,319 A	7/1921	Enke
1,811,722 A	6/1931	Kimberlin
1,812,119 A	6/1931	Ruse
2,007,057 A	7/1935	McNeal
2,471,110 A	5/1949	Jenkins

**OTHER PUBLICATIONS**

PCT/US10/29606—International Bureau preliminary report on patentability dated Oct. 13, 2011.

(Continued)

*Primary Examiner* — Doris Clark

(74) *Attorney, Agent, or Firm* — Michael Stanley Tomsa; Katten Muchin Rosenman LLP

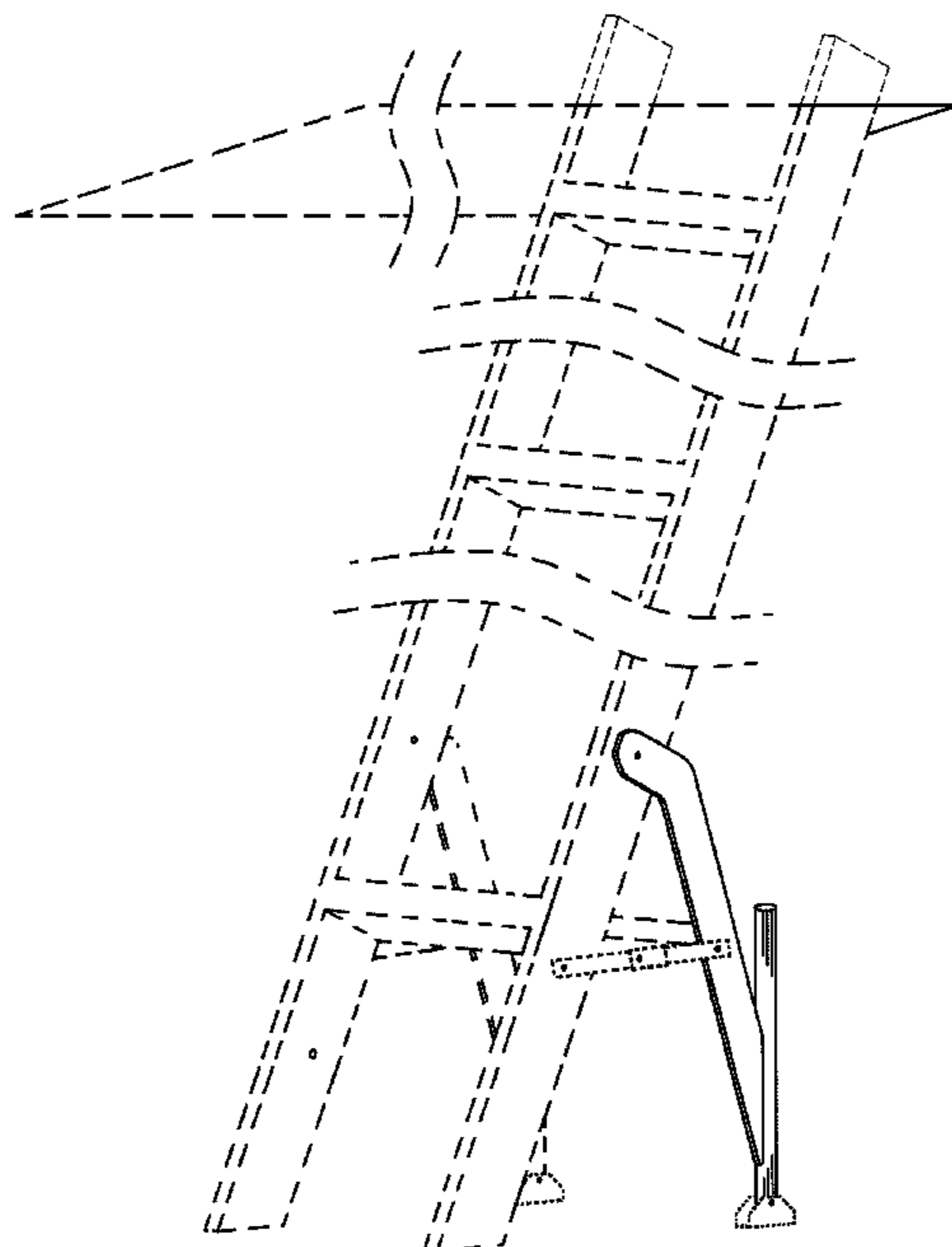
(57) **CLAIM**

The ornamental design for the support rail for a ladder, as shown and described.

**DESCRIPTION**

FIG. 1 is a front perspective view of a support rail for a ladder; FIG. 2 is a left side view of a support rail for a ladder; FIG. 3 is a right side view of a support rail for a ladder; FIG. 4 is a left side view of a support rail for a ladder; and, FIG. 5 is a left side view of a support rail for a ladder. The broken lines shown in the views are for illustrative purposes only and form no part of the claimed design.

**1 Claim, 5 Drawing Sheets**



# US D668,789 S

Page 2

## U.S. PATENT DOCUMENTS

4,565,262 A 1/1986 Hawkins  
4,669,576 A 6/1987 Jones  
4,723,629 A 2/1988 Vanden Hoek et al.  
4,798,262 A 1/1989 Margolies  
4,899,849 A 2/1990 Levi et al.  
4,949,809 A 8/1990 Levi et al.  
5,033,584 A 7/1991 Battle  
5,086,876 A 2/1992 Severson  
5,165,501 A 11/1992 Donahey  
5,267,631 A 12/1993 Mendel  
5,341,899 A \* 8/1994 Casamento ..... 182/205  
5,522,473 A 6/1996 Moselsky  
5,551,529 A 9/1996 Molitor  
5,590,739 A 1/1997 High et al.  
D413,681 S \* 9/1999 Zumwalt ..... D25/68  
6,019,191 A \* 2/2000 Flores ..... 182/107  
6,382,353 B2 5/2002 Laug

6,533,071 B1 3/2003 Smith  
6,948,591 B2 9/2005 Scott et al.  
7,163,084 B1 1/2007 Blehm  
7,293,630 B1 11/2007 Trebec  
D650,915 S \* 12/2011 Gross et al. .... D25/68  
2001/0015303 A1 8/2001 Laug  
2007/0181370 A1 8/2007 Kemp-Banks  
2007/0261918 A1 11/2007 Trebec  
2008/0000720 A1 1/2008 Porch et al.  
2009/0045013 A1 2/2009 McMurray  
2009/0107765 A1 4/2009 Germond  
2010/0014762 A1 1/2010 Pocos  
2010/0300805 A1 12/2010 Moss et al.  
2011/0067954 A1 3/2011 Deal

## OTHER PUBLICATIONS

PCT/US10/29806—ISR dated May 21, 2010.

\* cited by examiner

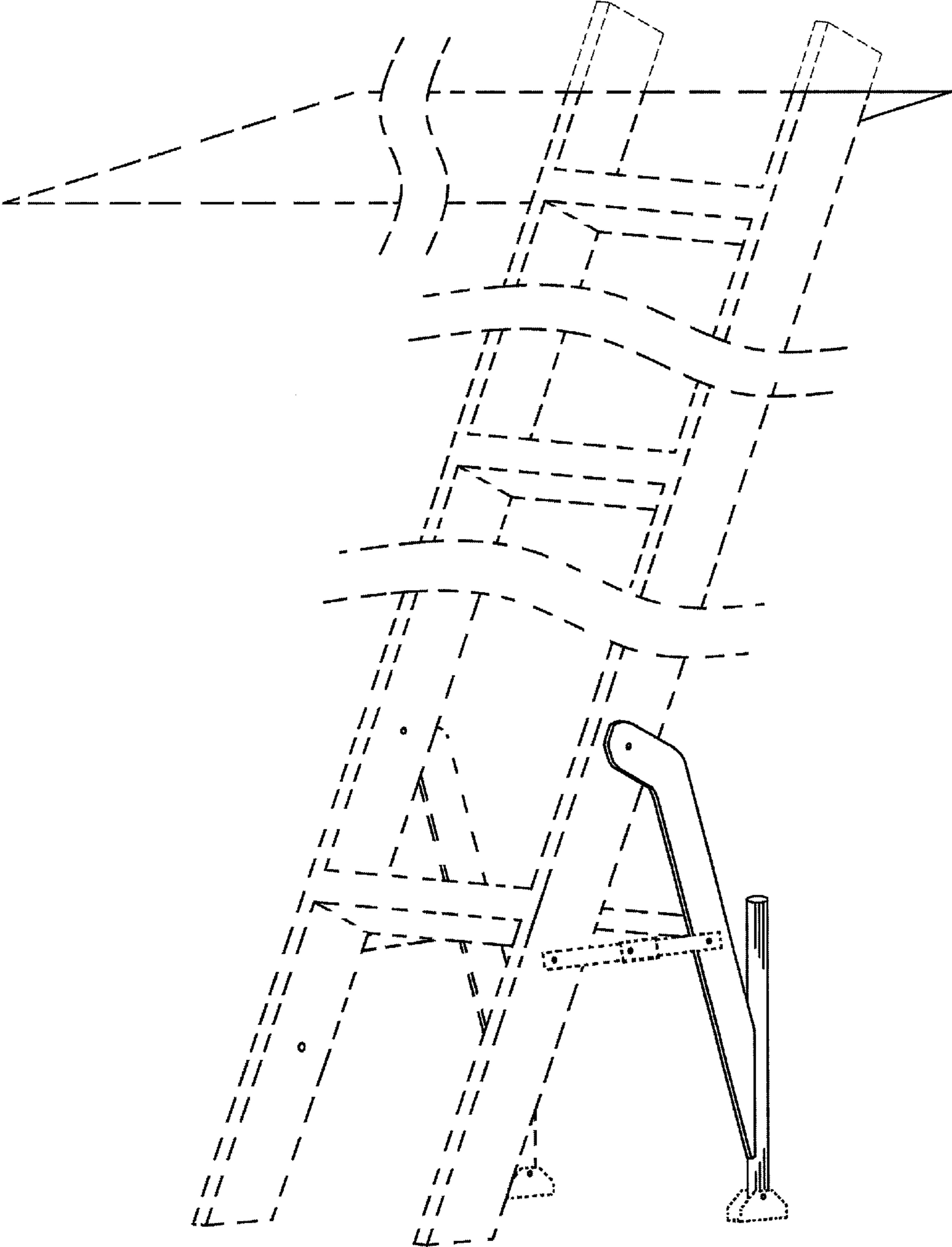


Figure 1

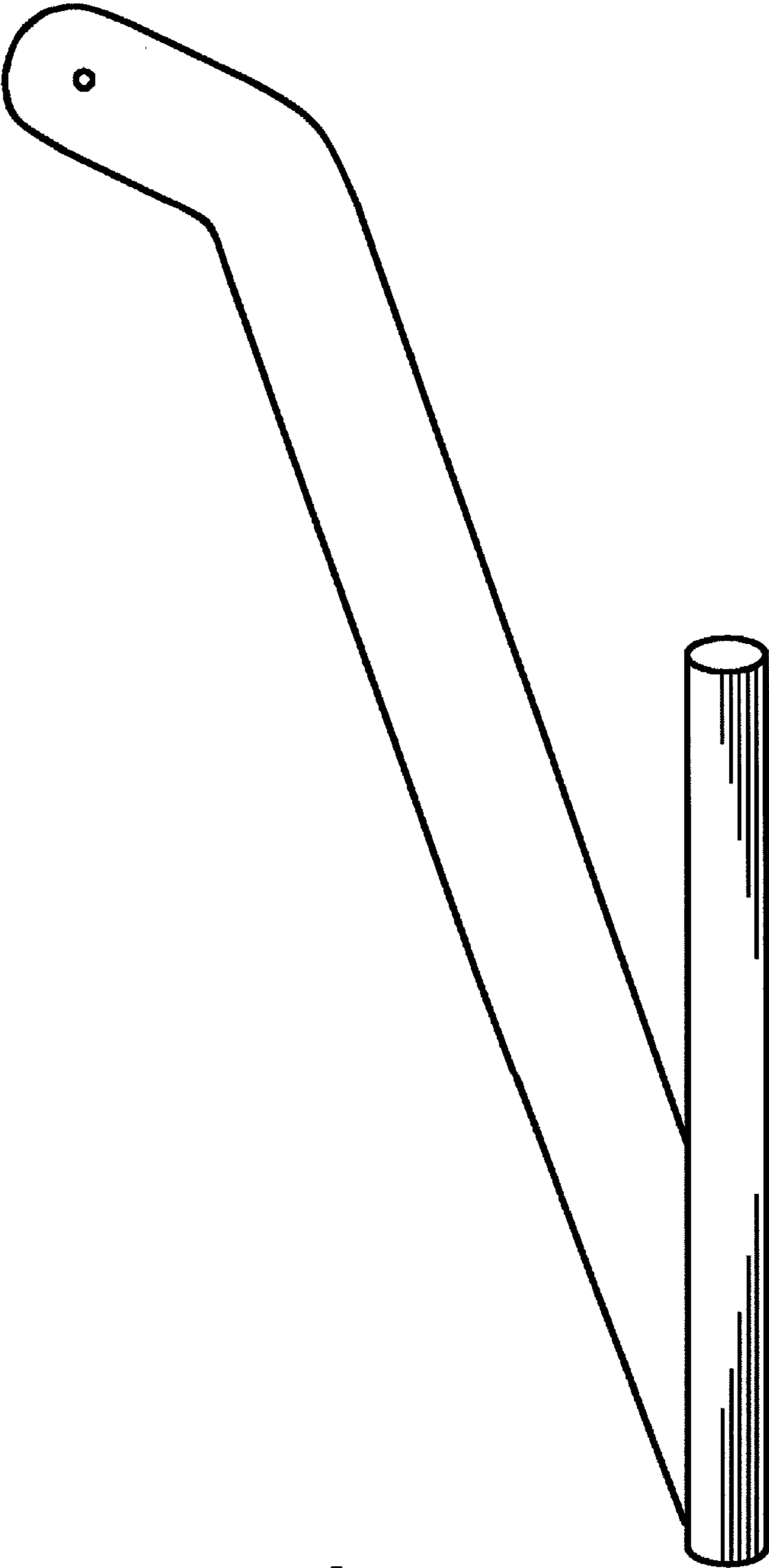


Figure 2

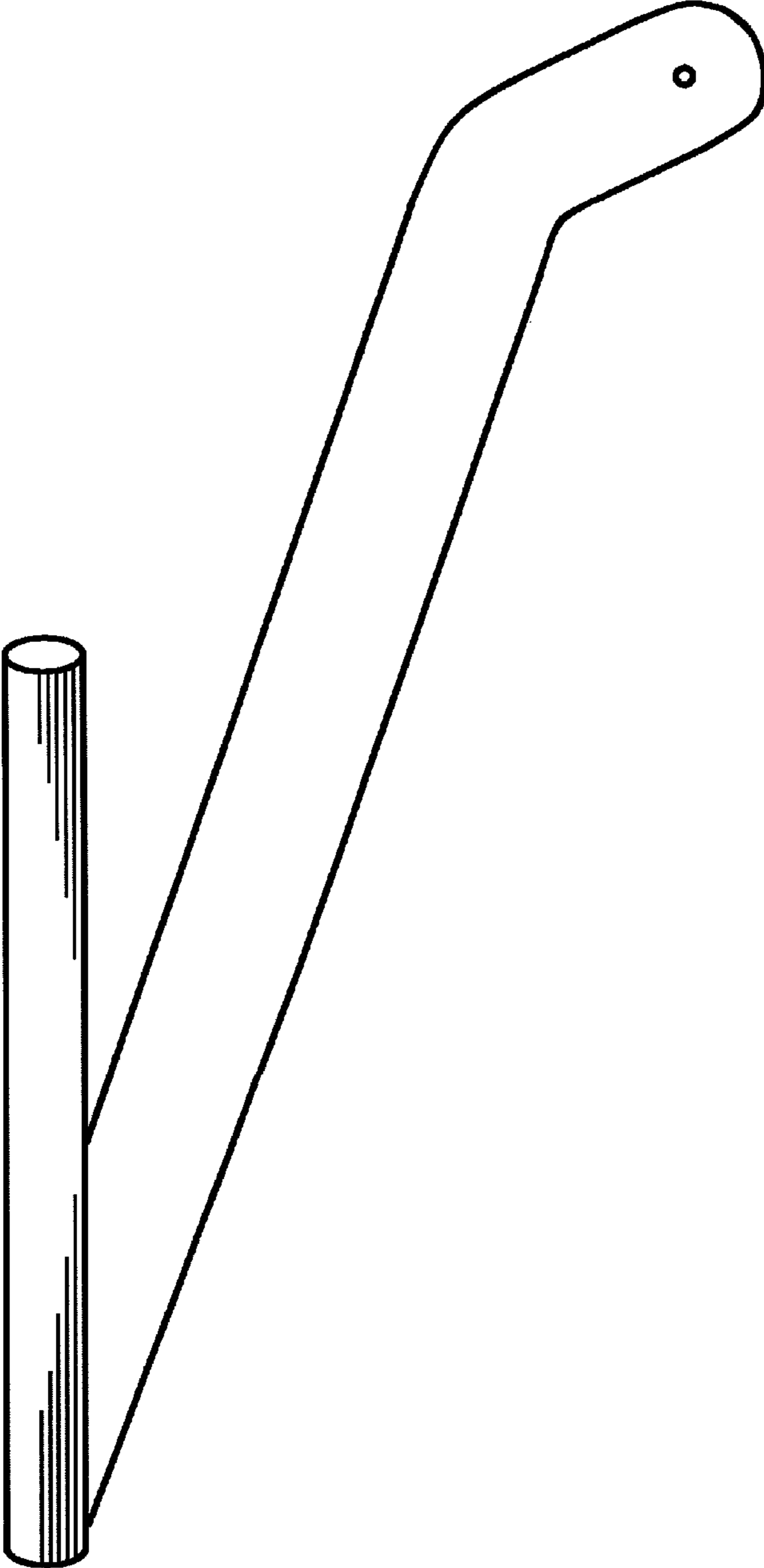


Figure 3

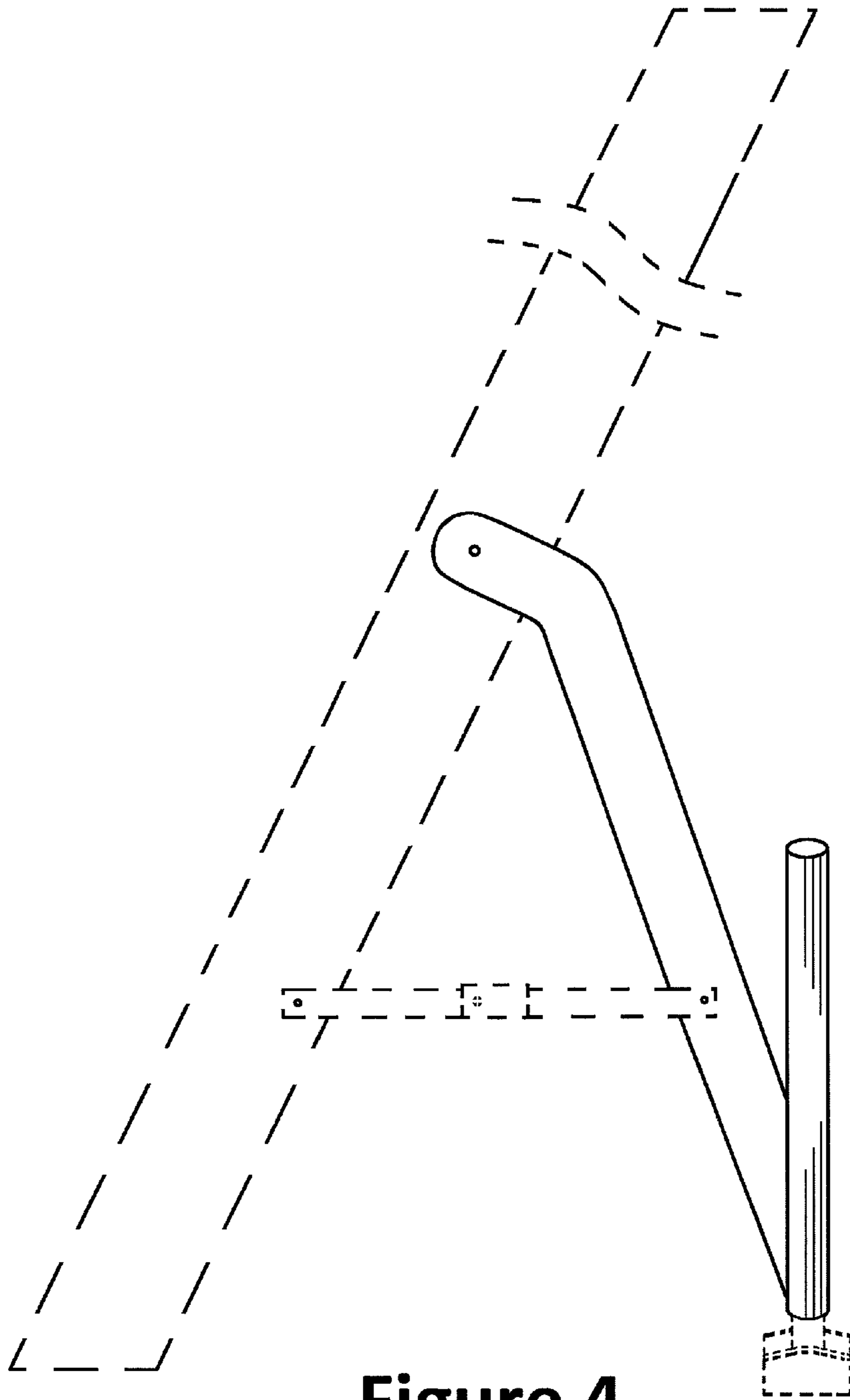


Figure 4

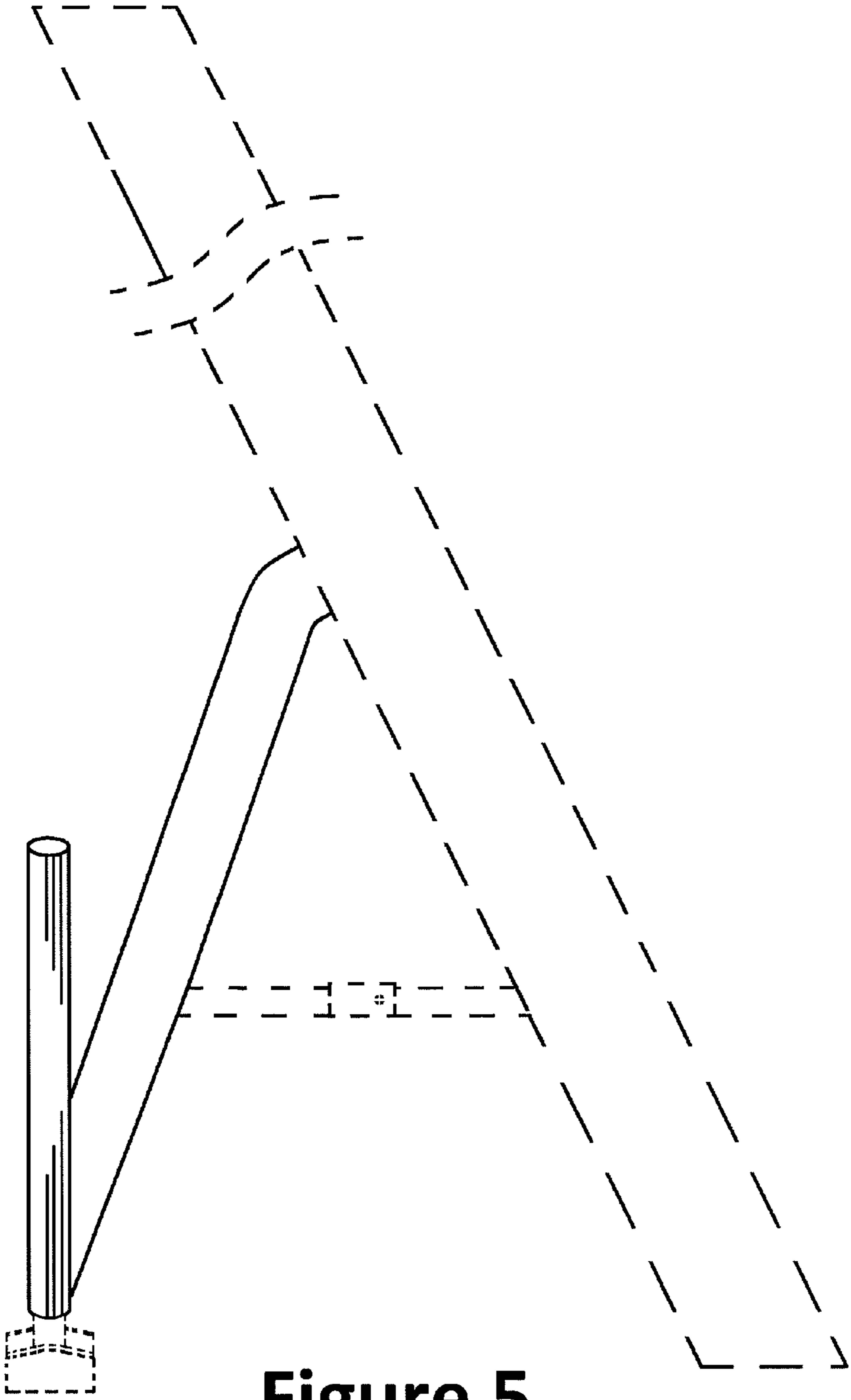


Figure 5