

US00D668780S

(12) **United States Design Patent**
Wilson et al.

(10) **Patent No.:** **US D668,780 S**
(45) **Date of Patent:** **** Oct. 9, 2012**

(54) **CARTRIDGE**

(75) Inventors: **Gareth Wilson**, Waringstown (GB);
Carl Wrigglesworth, Crumlin (GB)

(73) Assignee: **Radox Laboratories Limited**, County
Antrim (GB)

(**) Term: **14 Years**

(21) Appl. No.: **29/398,086**

(22) Filed: **Jul. 26, 2011**

(51) **LOC (9) Cl.** **24-02**

(52) **U.S. Cl.** **D24/227; D24/167**

(58) **Field of Classification Search** D24/108,
D24/127-130, 216, 224, 226-232, 221; 422/64-67,
422/99-104, 250, 266, 297, 300, 476, 559;
211/74, 41.01

See application file for complete search history.

D421,130 S *	2/2000	Cohen et al.	D24/229
D428,497 S *	7/2000	Lapeus et al.	D24/227
D433,759 S *	11/2000	Mathis et al.	D24/227
D435,665 S *	12/2000	Ogle	D24/233
D481,133 S *	10/2003	Blouin et al.	D24/216
D482,454 S *	11/2003	Gebrian	D24/224
D484,989 S *	1/2004	Gebrian	D24/230
D595,423 S *	6/2009	Johansson et al.	D24/229
D598,566 S *	8/2009	Allaer	D24/230
D618,820 S *	6/2010	Wilson et al.	D24/227
D620,606 S *	7/2010	Wilson et al.	D24/230
D621,521 S *	8/2010	Nuotio	D24/224

* cited by examiner

Primary Examiner — T. Chase Nelson

Assistant Examiner — Mark Cavanna

(74) *Attorney, Agent, or Firm* — Oliff & Berridge, PLC

(57) **CLAIM**

The ornamental design for a cartridge, as shown and described.

(56) **References Cited**

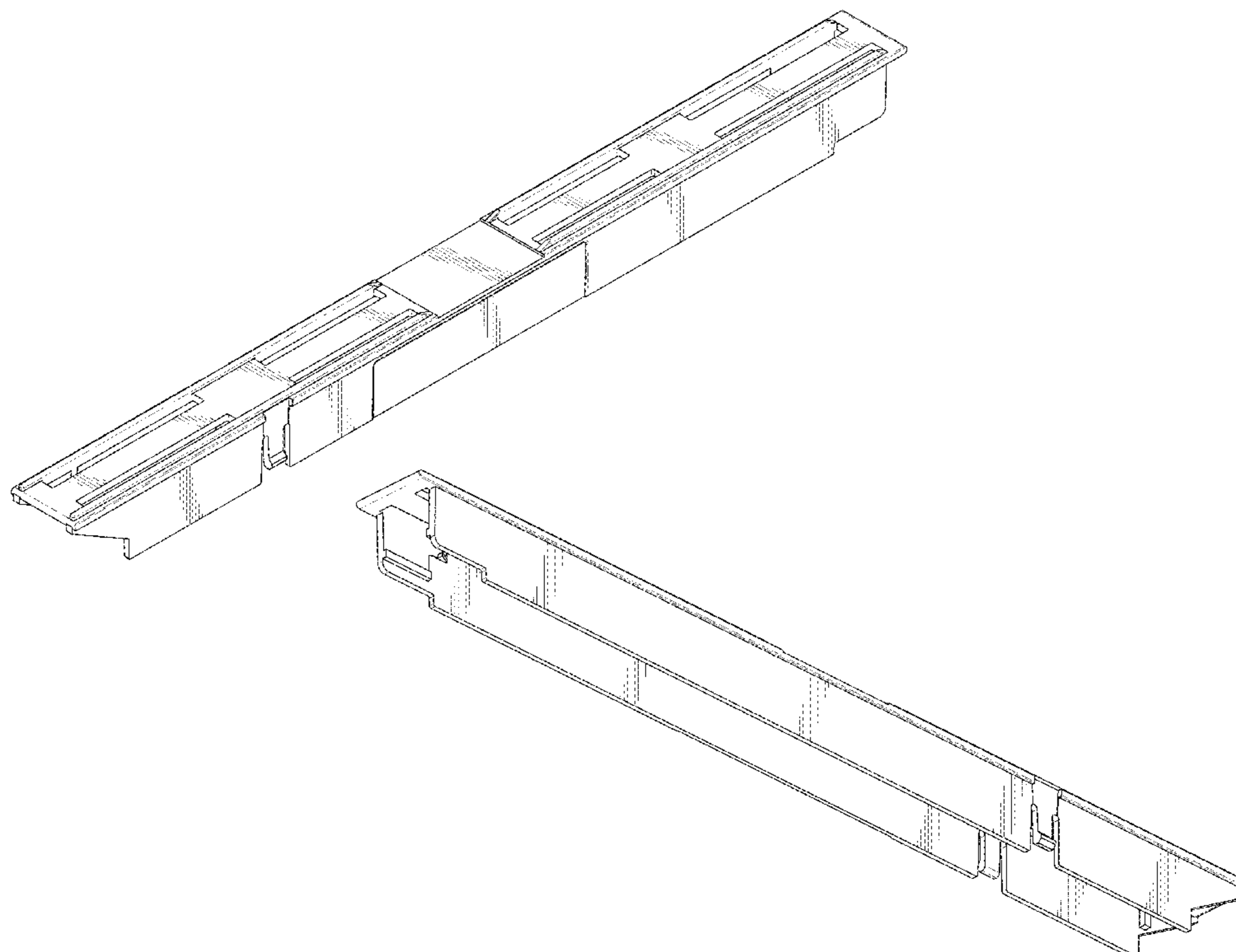
U.S. PATENT DOCUMENTS

D249,706 S *	9/1978	Adamski	D24/230
D257,175 S *	9/1980	Terk	D24/226
D260,428 S *	8/1981	Fekete	D24/226
D323,400 S *	1/1992	Frenkel et al.	D24/230
D325,975 S *	5/1992	Grade et al.	D24/230
D327,743 S *	7/1992	Frenkel et al.	D24/226
D335,348 S *	5/1993	Frenkel et al.	D24/224
D365,153 S *	12/1995	Robertson, Jr.	D24/224
5,788,928 A *	8/1998	Carey et al.	422/559
D413,391 S *	8/1999	Lapeus et al.	D24/227
D413,677 S *	9/1999	Dumitrescu et al.	D24/229

DESCRIPTION

FIG. 1 is a top perspective view of the cartridge;
FIG. 2 is an underneath perspective view of the cartridge;
FIG. 3 is a front view of the cartridge;
FIG. 4 is a rear view of the cartridge;
FIG. 5 is a left view of the cartridge;
FIG. 6 is a right view of the cartridge;
FIG. 7 is a plan view of the cartridge; and,
FIG. 8 is an underneath view of the cartridge.

1 Claim, 4 Drawing Sheets



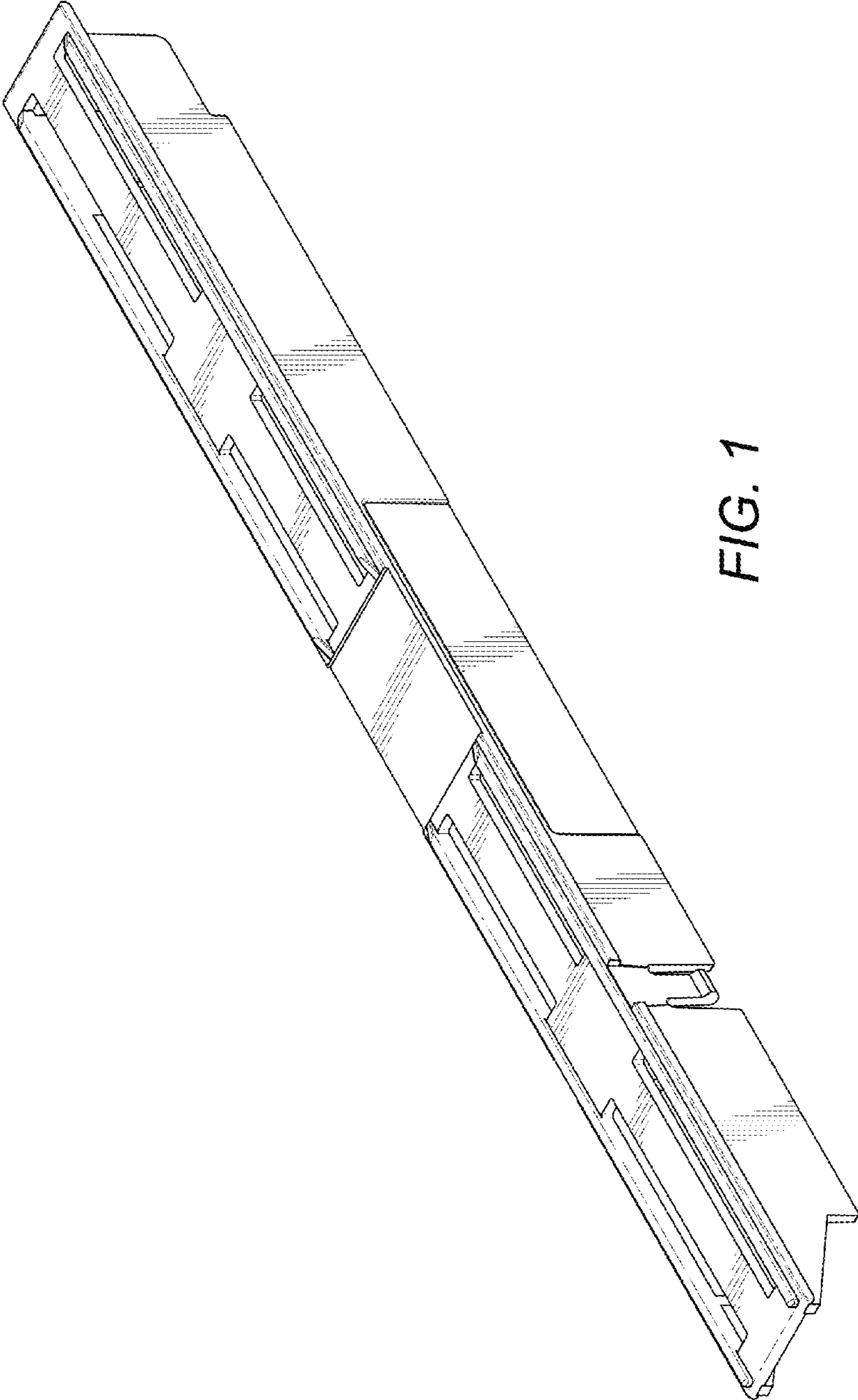


FIG. 1

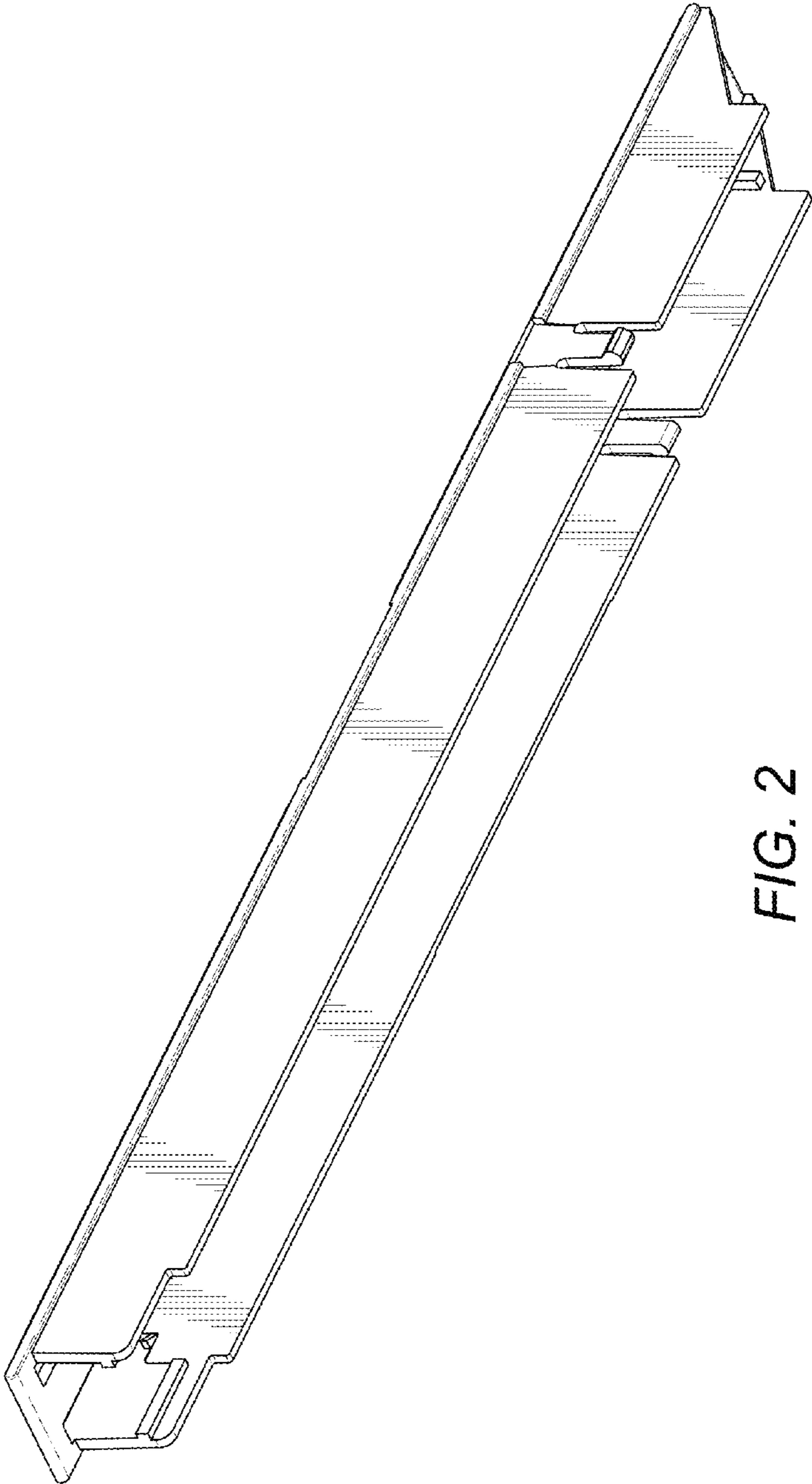


FIG. 2

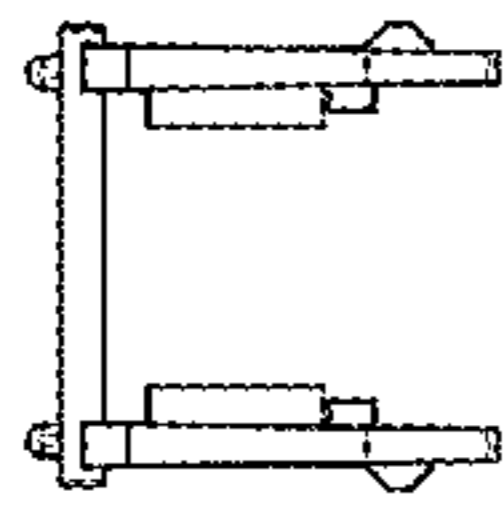


FIG. 3

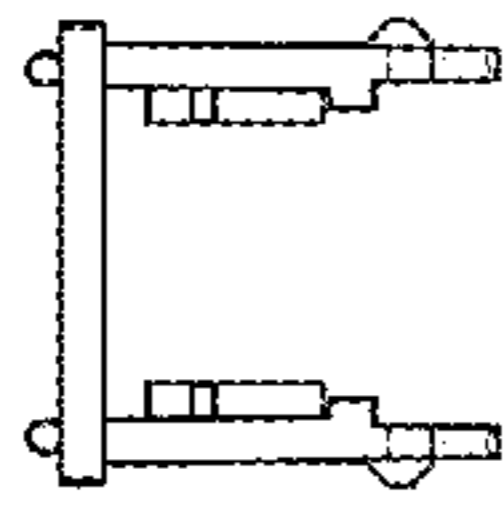


FIG. 4

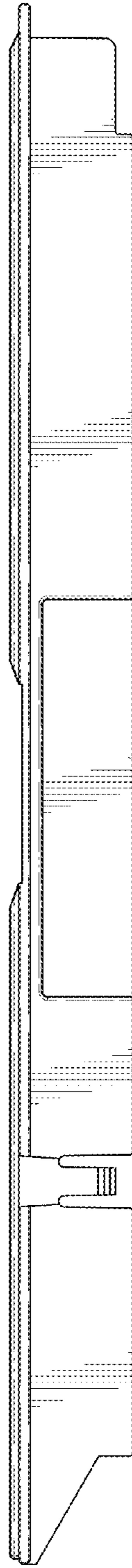


FIG. 5

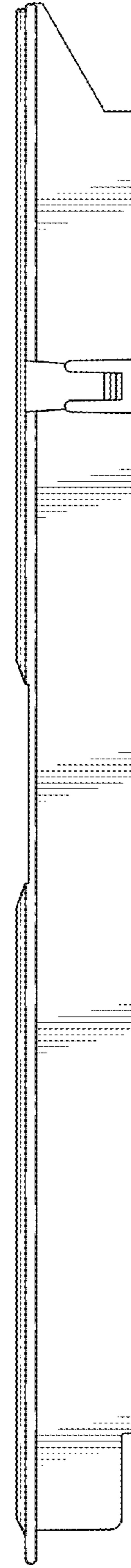


FIG. 6

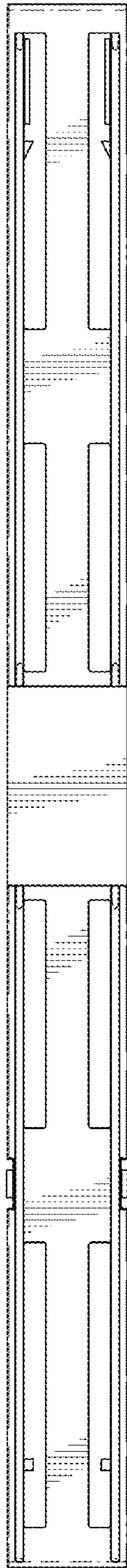


FIG. 7

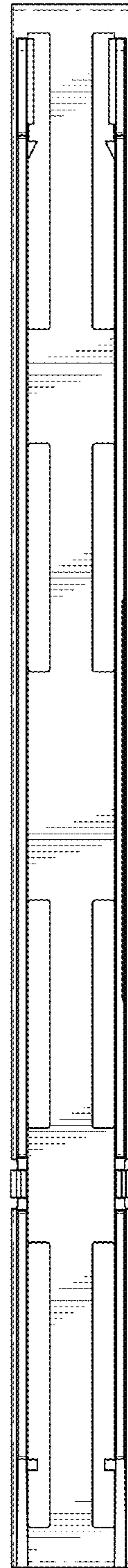


FIG. 8