



US00D668779S

(12) **United States Design Patent**
Khan et al.

(10) **Patent No.:** **US D668,779 S**

(45) **Date of Patent:** **** Oct. 9, 2012**

(54) **DIAGNOSTIC CARTRIDGE**

(75) Inventors: **Macksoud Khan**, Palo Alto, CA (US);
Zachary M. Ruef, San Francisco, CA
(US); **Keagan Rowley**, Boulder, CO
(US)

(73) Assignee: **MBio Diagnostics, Inc.**, Boulder, CO
(US)

(**) Term: **14 Years**

(21) Appl. No.: **29/393,974**

(22) Filed: **Jun. 10, 2011**

(51) **LOC (9) Cl.** **24-01**

(52) **U.S. Cl.** **D24/225**

(58) **Field of Classification Search** D24/216–226,
D24/227, 231, 232, 107, 169, 186; D10/81;
422/400–404, 408, 430, 68.1, 500, 502, 503
See application file for complete search history.

(56) **References Cited**

U.S. PATENT DOCUMENTS

D361,842	S	*	8/1995	Nazareth et al.	D24/225
5,731,212	A	*	3/1998	Gavin et al.	436/526
D432,244	S	*	10/2000	Anderson et al.	D24/223
D456,082	S	*	4/2002	Bouse et al.	D24/223
D560,812	S	*	1/2008	Powell et al.	D24/216

7,329,538	B2	*	2/2008	Wainwright et al.	435/288.7
D602,599	S	*	10/2009	Xiaowei	D24/225
D634,023	S	*	3/2011	Wei	D24/223
D655,424	S	*	3/2012	Castanon et al.	D24/225
2004/0018636	A1	*	1/2004	Zhou et al.	436/514
2008/0124244	A1	*	5/2008	Sigel et al.	422/58

* cited by examiner

Primary Examiner — Anhdao Doan

(74) *Attorney, Agent, or Firm* — Lathrop & Gage LLP

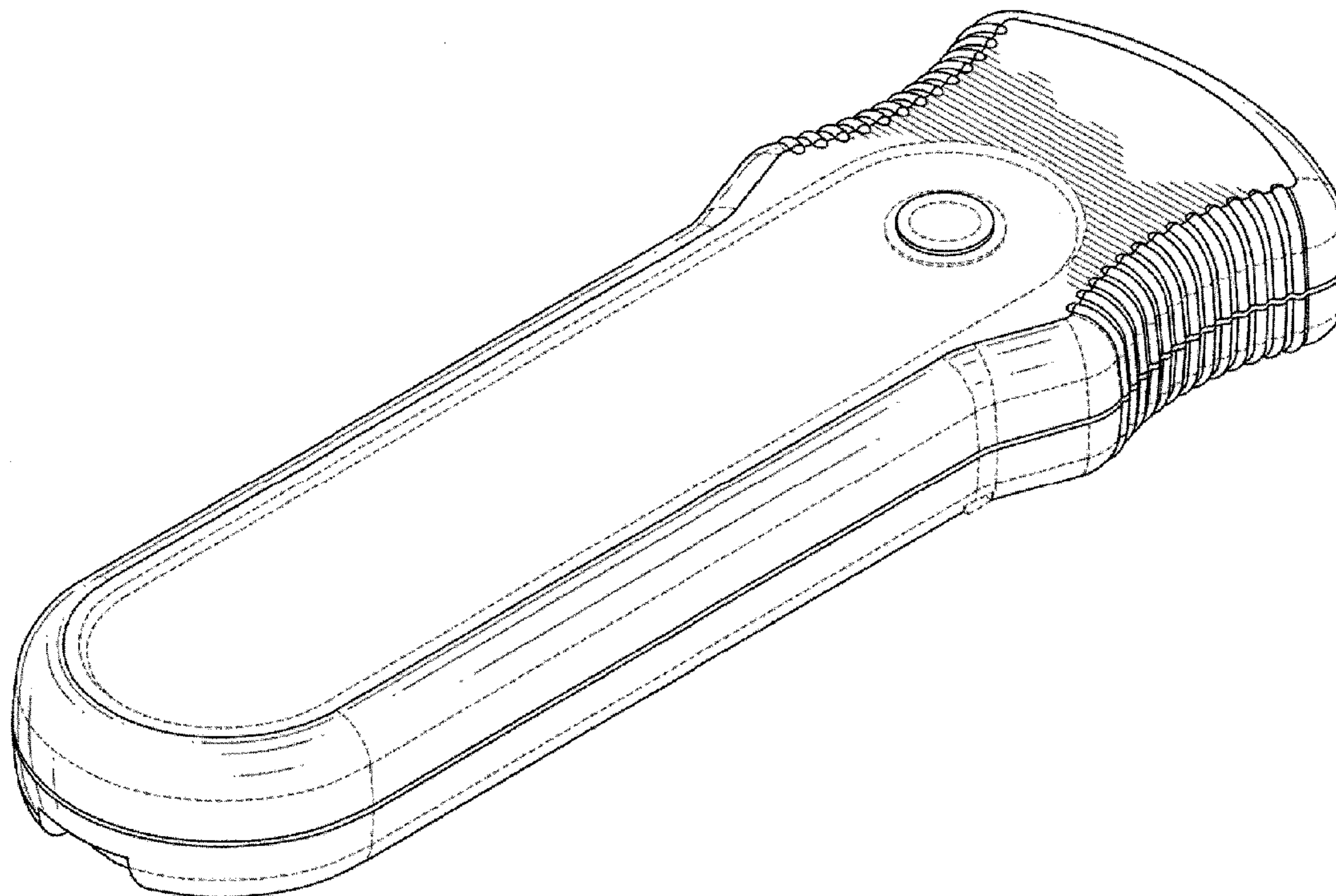
(57) **CLAIM**

The ornamental design for a diagnostic cartridge, as shown and described.

DESCRIPTION

FIG. 1 is a perspective view of the diagnostic cartridge, showing the new design;
FIG. 2 is a top plan view of the diagnostic cartridge;
FIG. 3 is a side elevation of the diagnostic cartridge, an opposing side elevation of the diagnostic cartridge being a mirror image thereof;
FIG. 4 is a bottom plan view of the diagnostic cartridge;
FIG. 5 is a front end elevation of the diagnostic cartridge; and,
FIG. 6 is a rear end elevation of the diagnostic cartridge.
In all of FIGS. 1 through 6, dashed lines indicate environmental structure that forms no part of the claimed design.

1 Claim, 5 Drawing Sheets



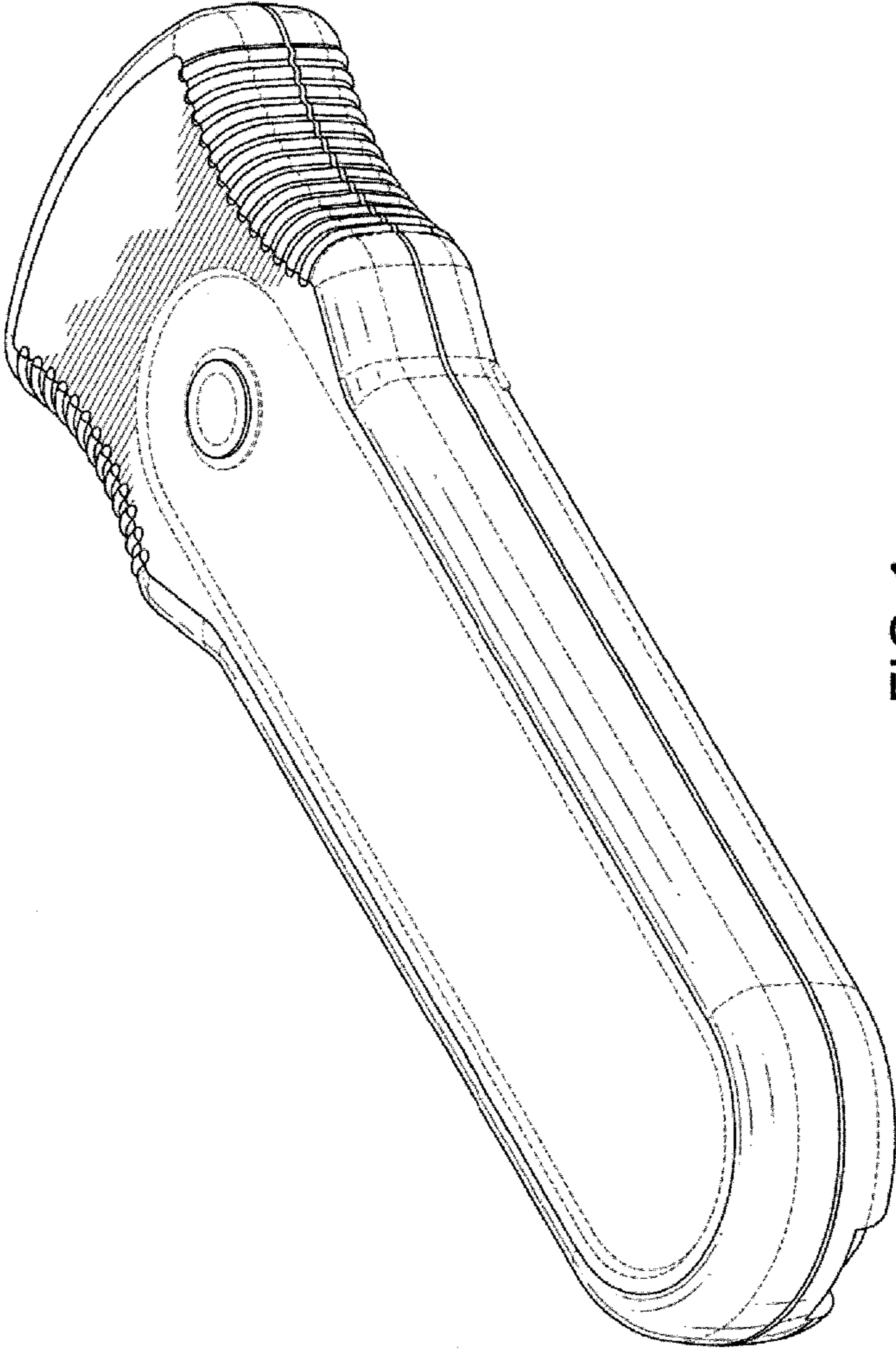


FIG. 1

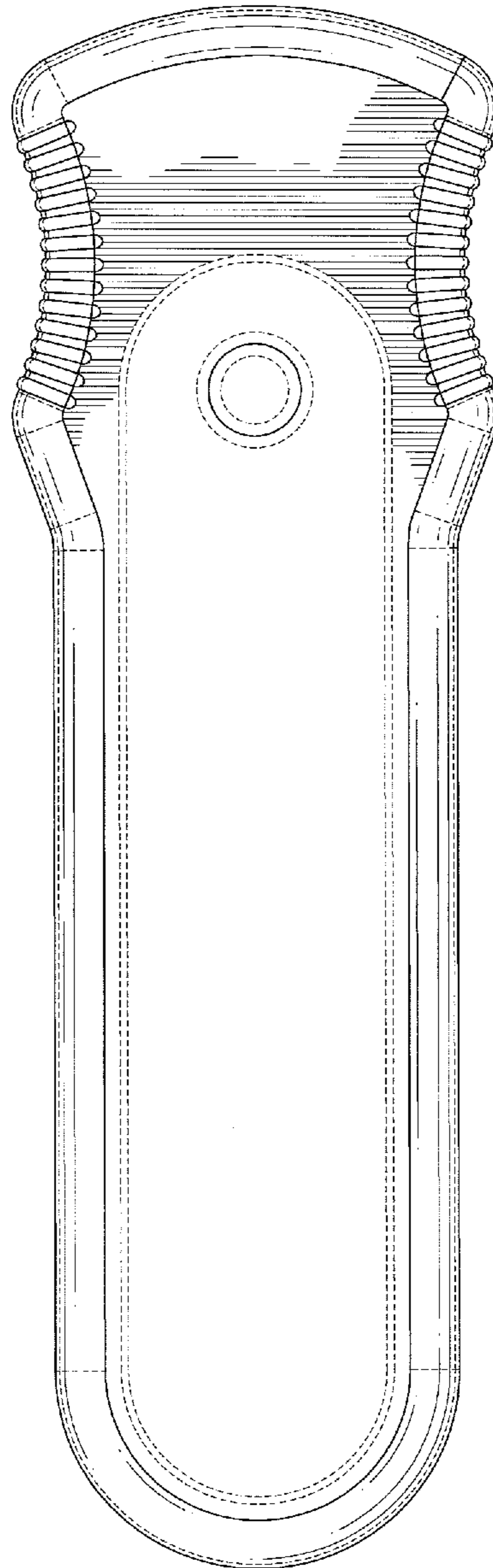


FIG.2

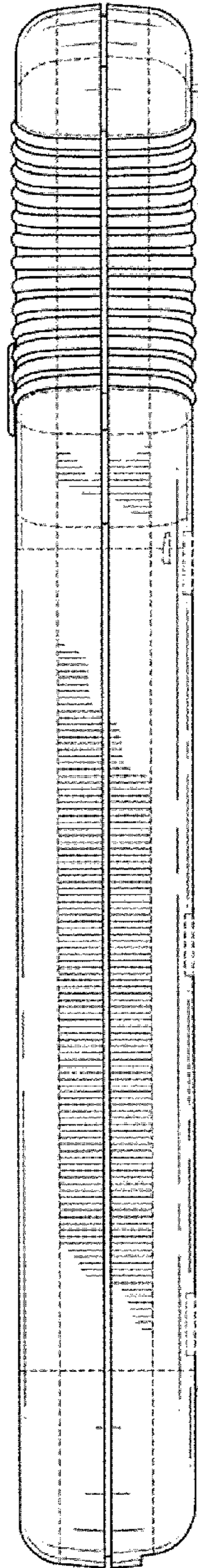


FIG.3

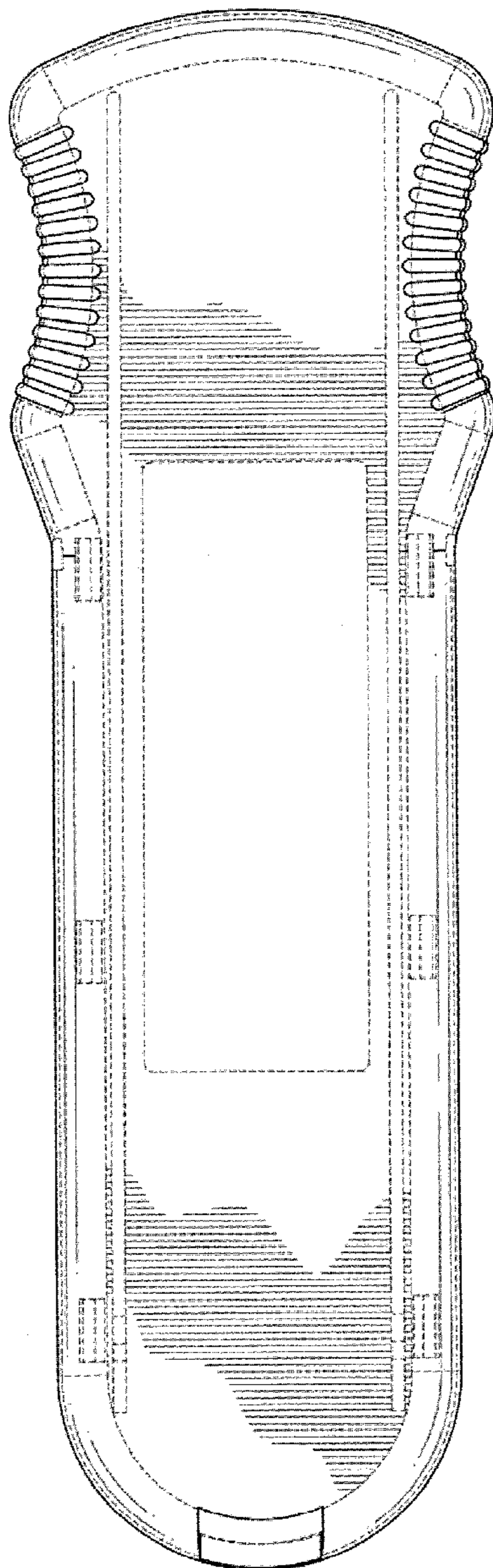


FIG.4

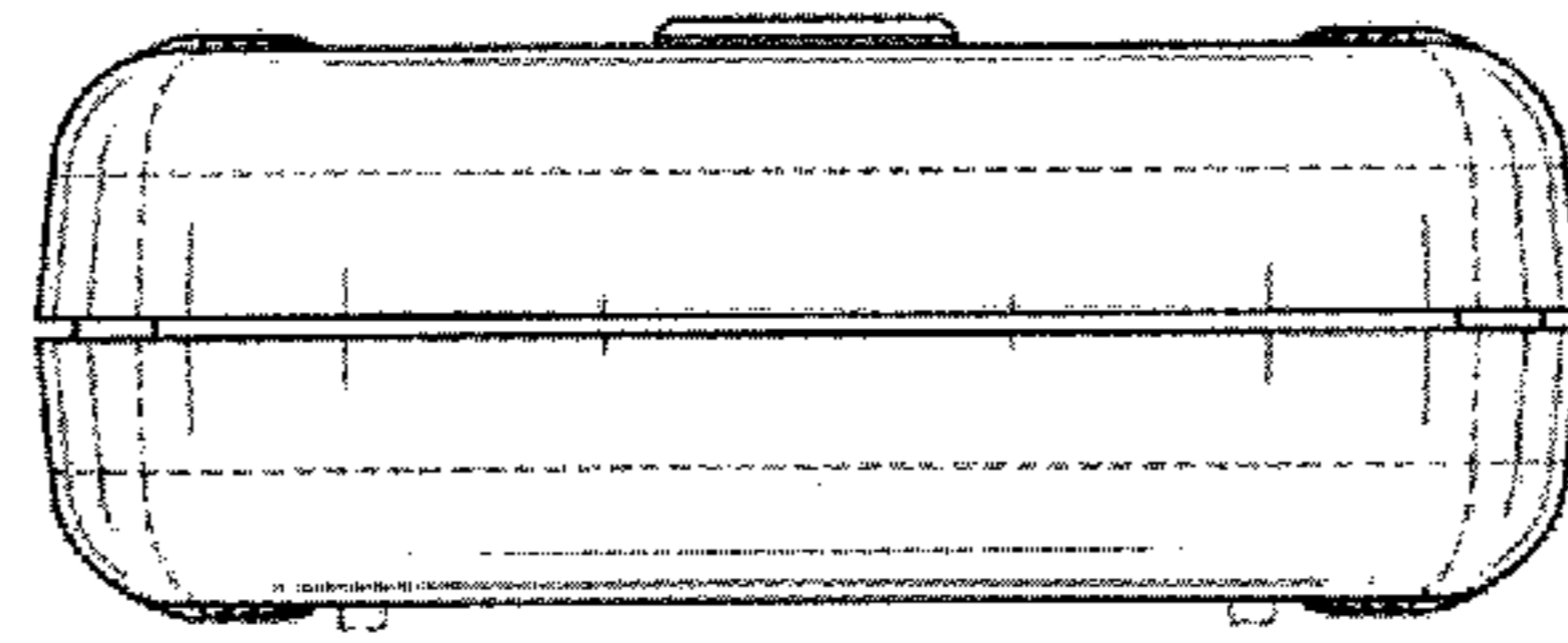


FIG. 5

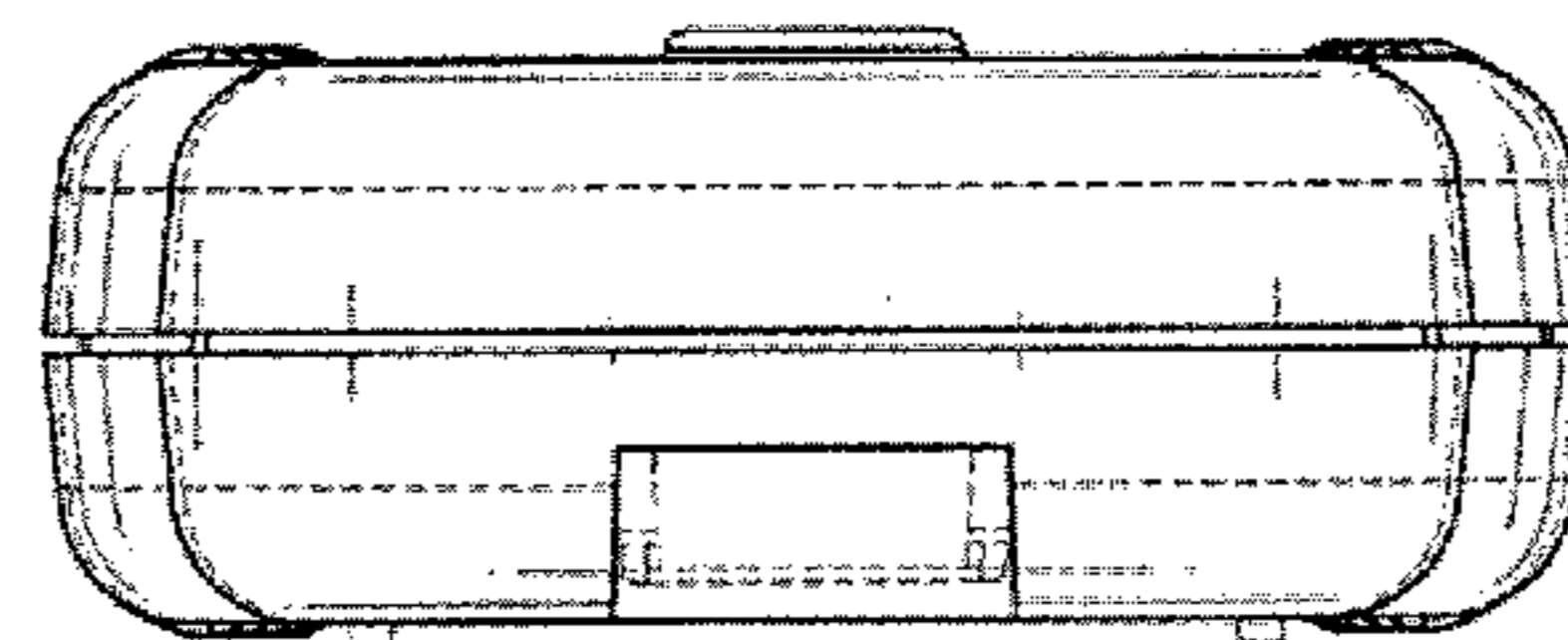


FIG. 6