



US00D668775S

(12) **United States Design Patent**  
**Shanler**

(10) **Patent No.:** **US D668,775 S**

(45) **Date of Patent:** **\*\* Oct. 9, 2012**

(54) **OCTAGON SHAPED FLASK**

(75) Inventor: **Michael Shanler**, Sudbury, MA (US)

(73) Assignee: **Becton, Dickinson and Company**,  
Franklin Lakes, NJ (US)

(\*\*) Term: **14 Years**

(21) Appl. No.: **29/404,826**

(22) Filed: **Oct. 26, 2011**

(51) **LOC (9) Cl.** ..... **24-01**

(52) **U.S. Cl.** ..... **D24/224**

(58) **Field of Classification Search** ..... D24/216–217,  
D24/219, 222–226, 227, 231, 232; D10/81;  
D3/203.1–203.8, 202; D9/516, 523, 572,  
D9/573, 574; 435/288.1, 288.3, 304.1, 304.3;  
422/500, 547, 548, 549, 550, 554, 556, 910  
See application file for complete search history.

(56) **References Cited**

**U.S. PATENT DOCUMENTS**

D50,182	S	*	1/1917	Boyle	.....	D3/202
3,870,602	A	*	3/1975	Froman et al.	.....	435/304.3
D243,705	S	*	3/1977	Lyman	.....	D24/224
D264,127	S	*	4/1982	Peterson	.....	D24/224
D285,725	S	*	9/1986	Franchere	.....	D24/224
4,770,854	A	*	9/1988	Lyman	.....	422/556
D303,568	S	*	9/1989	Gabridge	.....	D24/224
5,139,952	A	*	8/1992	Honda et al.	.....	435/304.3
5,358,872	A	*	10/1994	Mussi et al.	.....	435/297.1

5,482,854	A	*	1/1996	O'Leary et al.	.....	435/288.1
D379,520	S	*	5/1997	Stevens et al.	.....	D24/224
D379,521	S	*	5/1997	Stevens et al.	.....	D24/224
5,695,987	A	*	12/1997	Kayal et al.	.....	435/304.1
5,783,440	A	*	7/1998	Stevens	.....	435/304.3
6,569,675	B2	*	5/2003	Wall et al.	.....	435/304.2
7,745,210	B2	*	6/2010	Martin	.....	435/304.1
7,820,431	B2	*	10/2010	Kenney et al.	.....	435/294.1
D657,680	S	*	4/2012	Cora et al.	.....	D9/521
2004/0209755	A1	*	10/2004	Moore et al.	.....	422/102
2005/0074873	A1	*	4/2005	Shanler et al.	.....	435/304.3
2006/0205065	A1	*	9/2006	Bossi et al.	.....	435/304.3
2008/0003671	A1	*	1/2008	Martin	.....	435/304.1

\* cited by examiner

*Primary Examiner* — Anhdao Doan

(74) *Attorney, Agent, or Firm* — Hoffmann & Baron, LLP

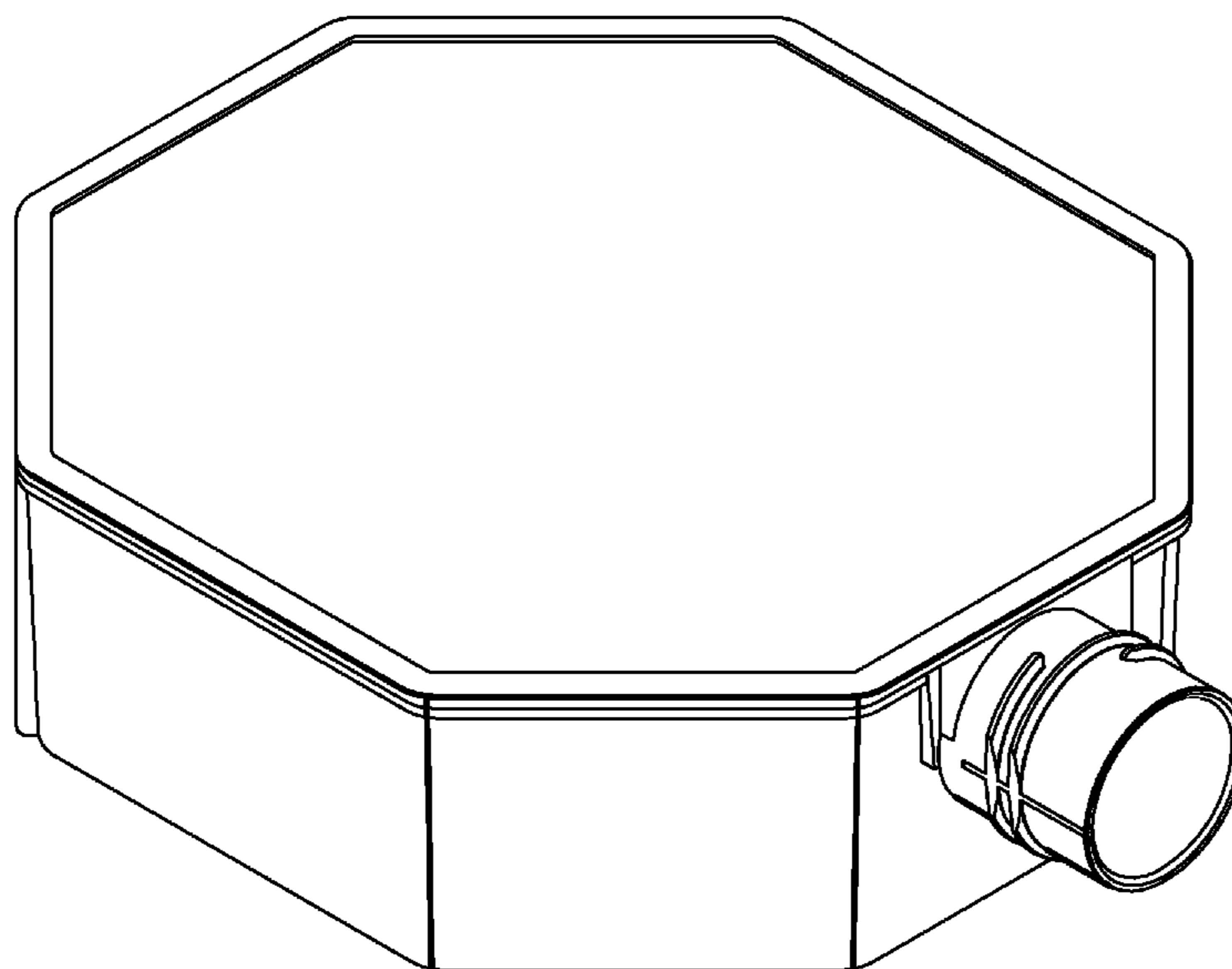
(57) **CLAIM**

The ornamental design for an octagon shaped flask, as shown and described.

**DESCRIPTION**

FIG. 1 is a top perspective view of an octagon shaped flask;  
FIG. 2 is a top plan view thereof;  
FIG. 3 is a front elevational view thereof;  
FIG. 4 is a right side elevational view thereof;  
FIG. 5 is a left side elevational view thereof;  
FIG. 6 is a rear elevational view thereof; and,  
FIG. 7 is a bottom plan view thereof.

**1 Claim, 4 Drawing Sheets**



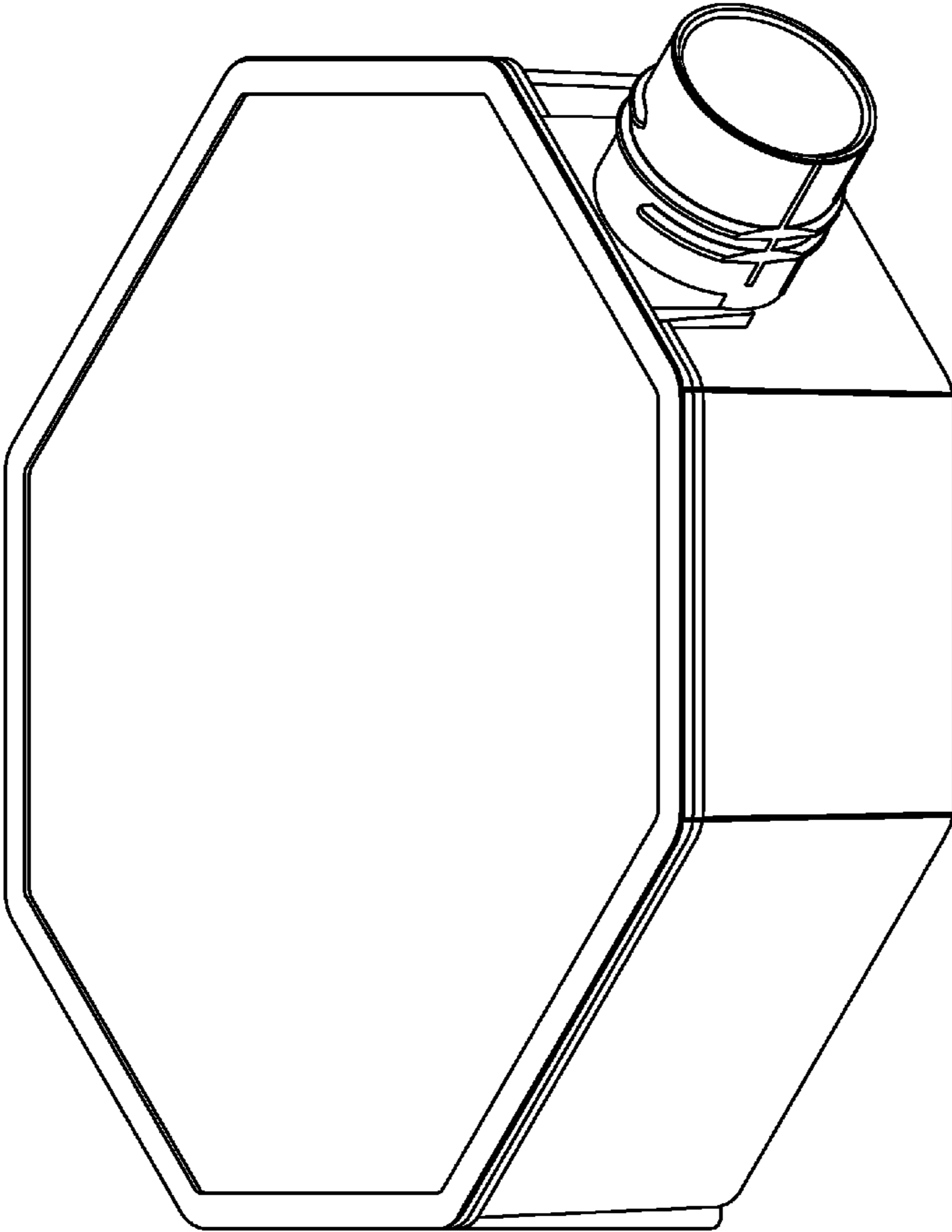


FIG.1

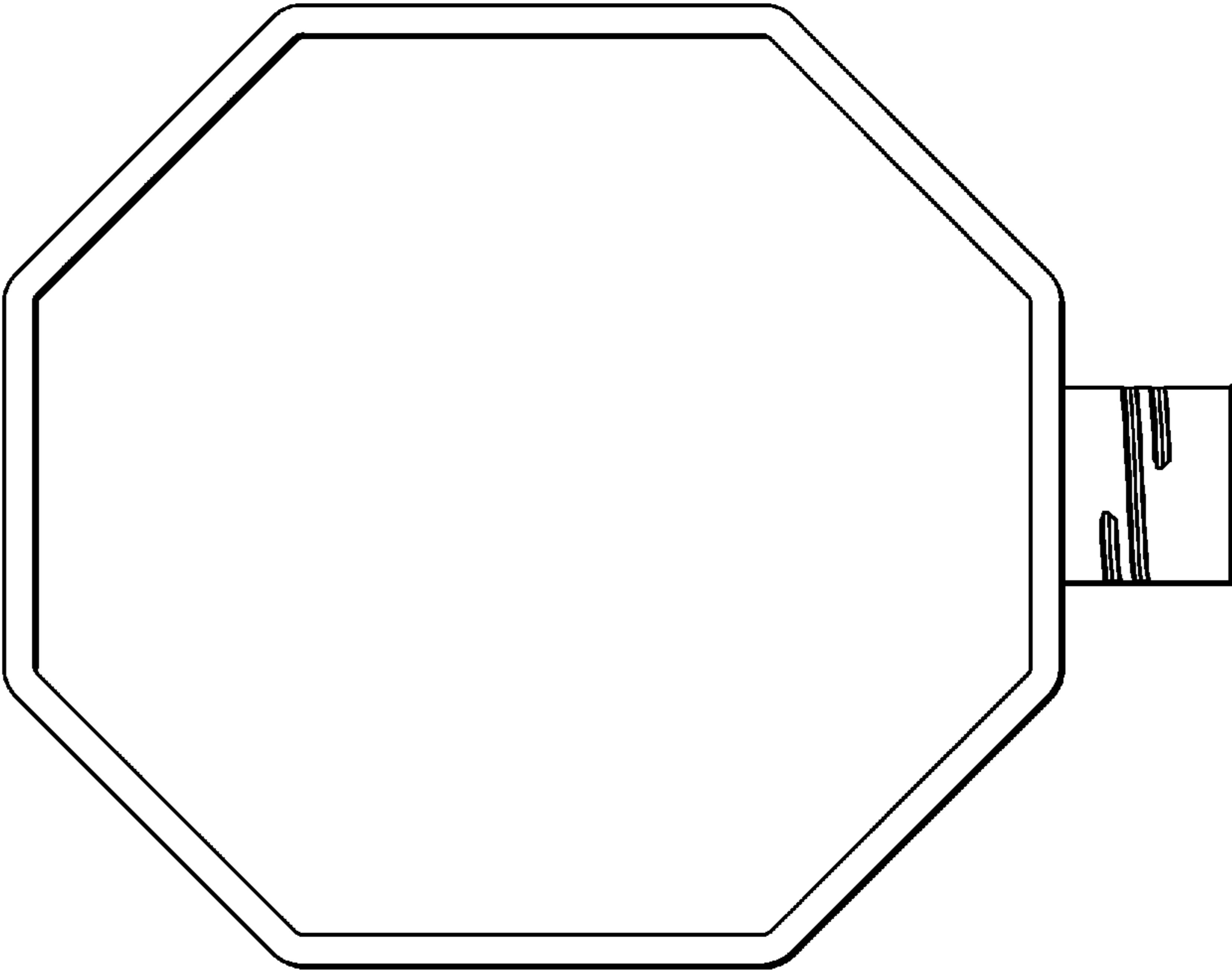


FIG. 2

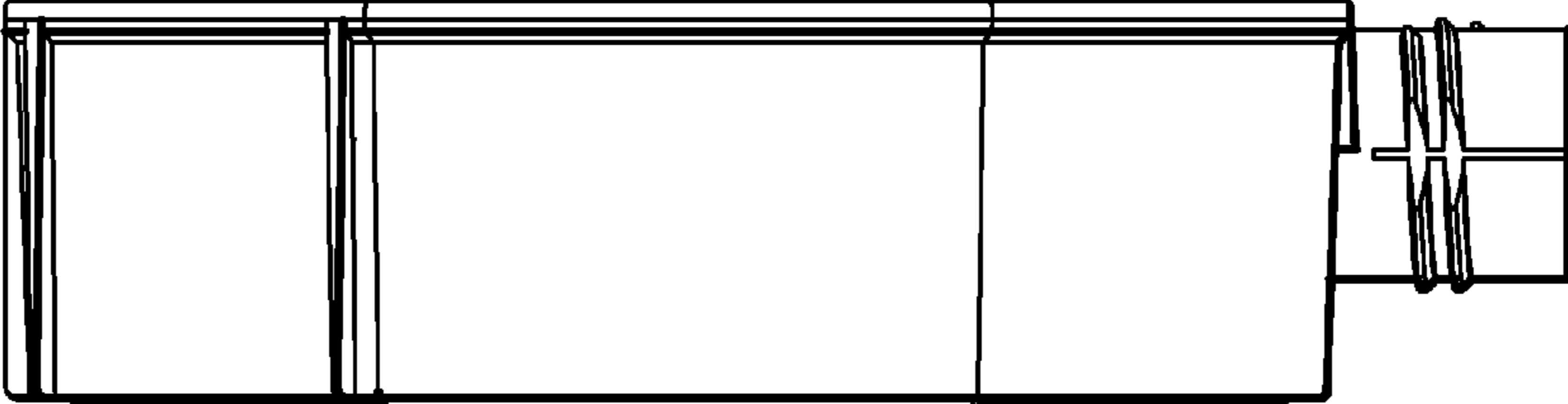


FIG. 3

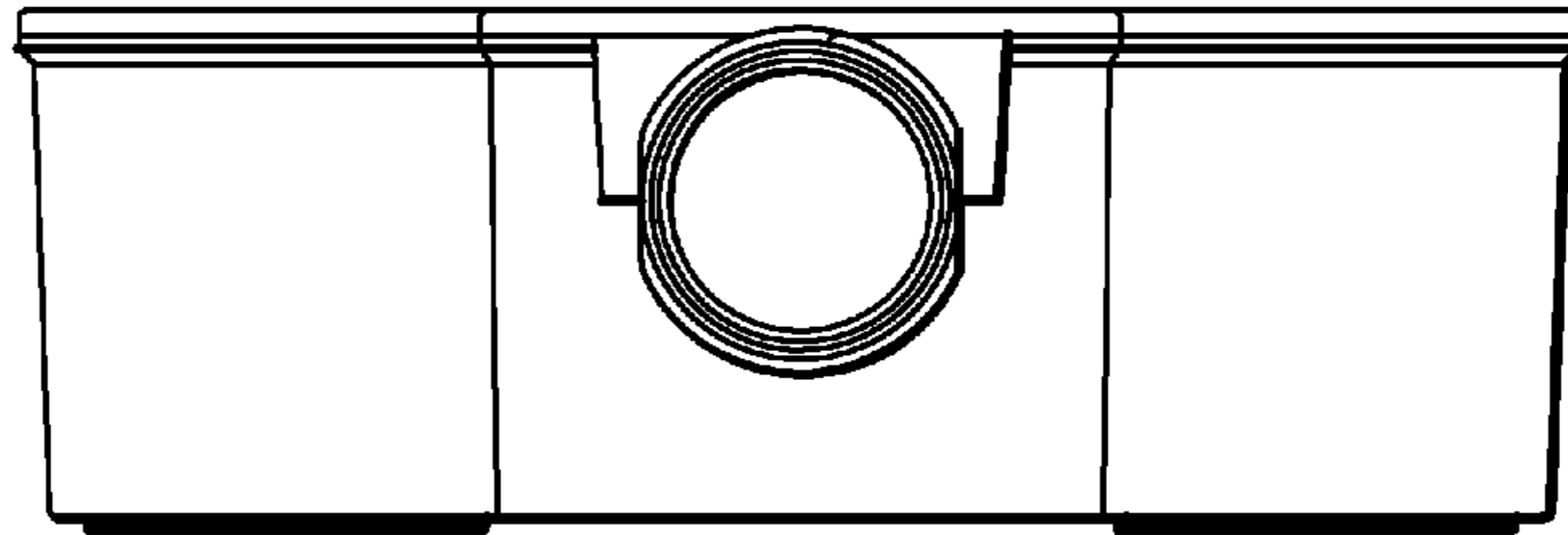


FIG. 4

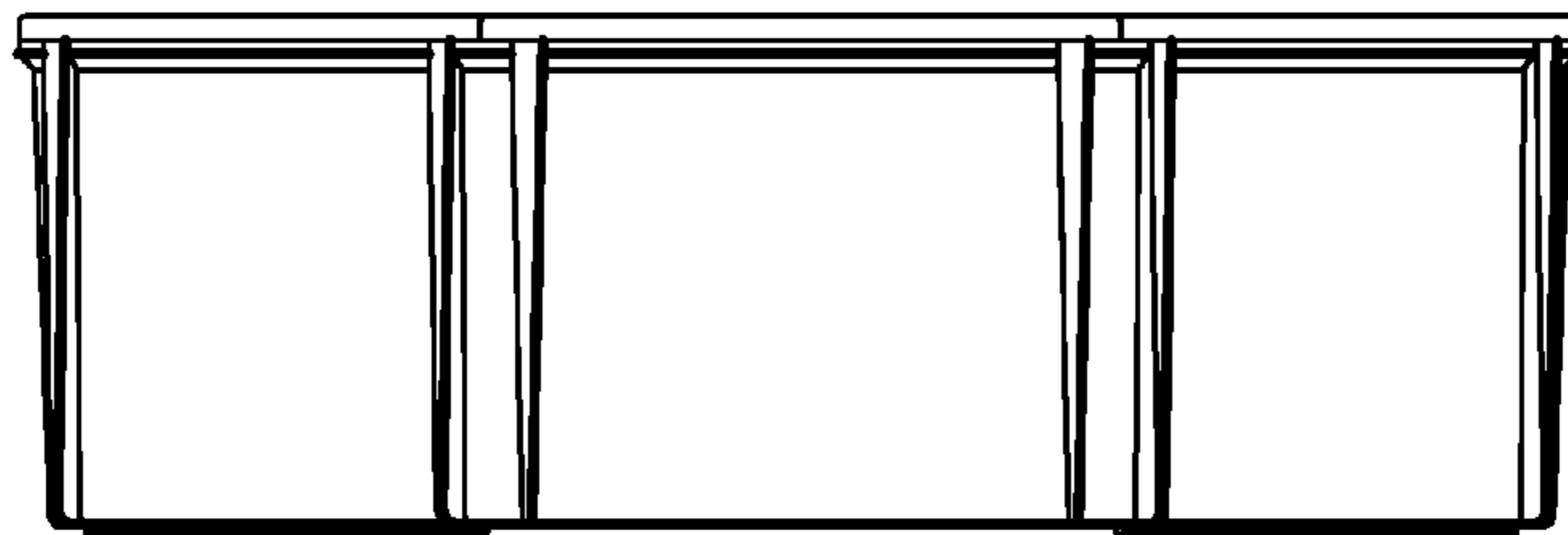


FIG. 5

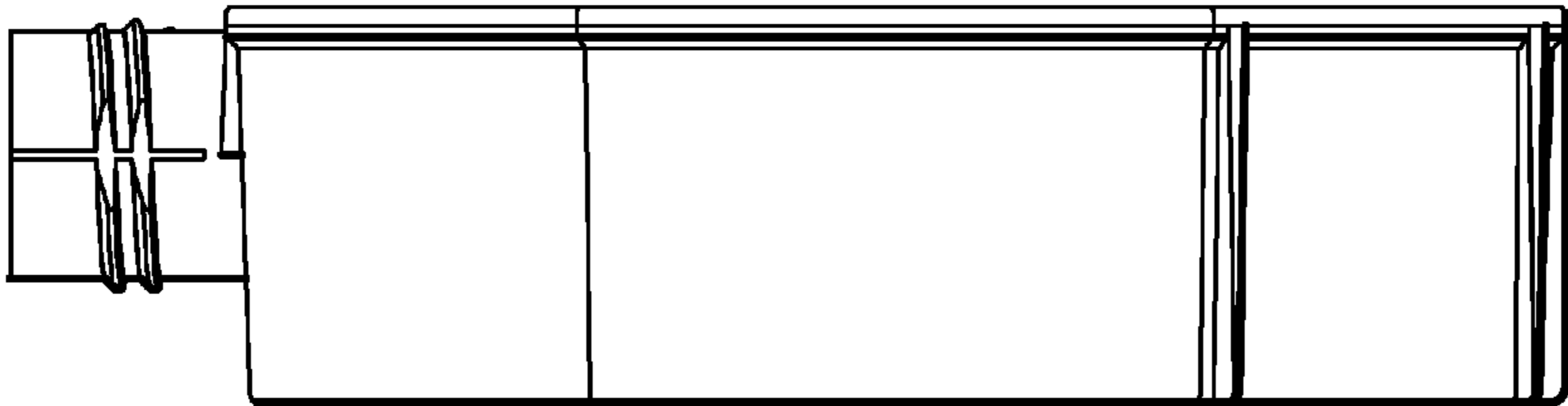


FIG. 6

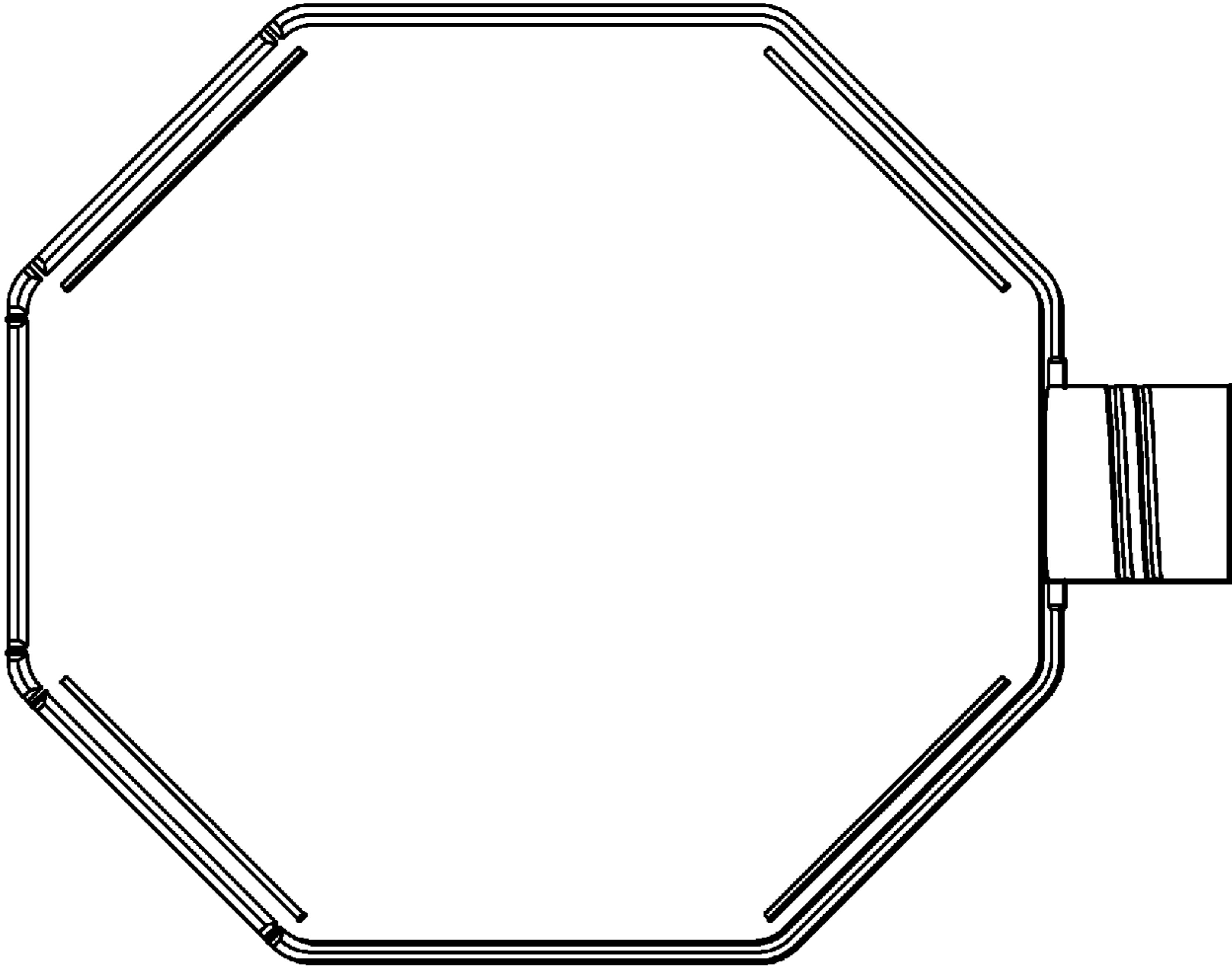


FIG. 7