



US00D668770S

(12) **United States Design Patent**
Tucek et al.

(10) **Patent No.:** **US D668,770 S**
(45) **Date of Patent:** **** Oct. 9, 2012**

(54) **LASER THERAPY DEVICE**

(75) Inventors: **Kevin B Tucek**, McKinney, TX (US);
Jeremy B Tucek, McKinney, TX (US);
Colby R Montgomery, McKinney, TX
(US)

(73) Assignee: **Erchonia Corporation**, McKinney, TX
(US)

(**) Term: **14 Years**

(21) Appl. No.: **29/414,077**

(22) Filed: **Feb. 24, 2012**

(51) **LOC (9) Cl.** **28-03**

(52) **U.S. Cl.** **D24/209**

(58) **Field of Classification Search** D24/210,
D24/209, 200, 158, 176, 185, 186; D26/29,
D26/37, 39, 41, 104; 606/2-4, 16, 131;
607/88-951; 433/29; 601/15, DIG. 5, DIG. 21
See application file for complete search history.

(56) **References Cited**

U.S. PATENT DOCUMENTS

4,979,196	A	*	12/1990	Lieutaud et al.	D24/158
D378,133	S	*	2/1997	Murakami et al.	D24/158
D412,748	S	*	8/1999	Nabarro	D24/186
D459,477	S	*	6/2002	Stocks et al.	D24/186
D529,611	S	*	10/2006	Gumisawa et al.	D24/158

D553,748	S	*	10/2007	Ogiwara	D24/158
D585,991	S	*	2/2009	Helgeson et al.	D24/176
D630,752	S	*	1/2011	Suzuki	D24/158
D639,947	S	*	6/2011	Choi et al.	D24/158
D648,028	S	*	11/2011	Yokoyama et al.	D24/158
D648,855	S	*	11/2011	Smith et al.	D24/158
D658,762	S	*	5/2012	Yokoyama et al.	D24/158
D659,833	S	*	5/2012	Ogura	D24/158

* cited by examiner

Primary Examiner — David Muller

(74) *Attorney, Agent, or Firm* — Etherton Law Group, LLC;
Sandra L. Etherton; Benjamin D. Tietgen

(57) **CLAIM**

The ornamental design for a laser therapy device, as shown and described.

DESCRIPTION

FIG. 1 is a top left side perspective view of the laser therapy device.

FIG. 2 is a front perspective view thereof;

FIG. 3 is a rear perspective view thereof;

FIG. 4 is a left side elevation view thereof;

FIG. 5 is a right side elevation view thereof;

FIG. 6 is a front elevation view thereof;

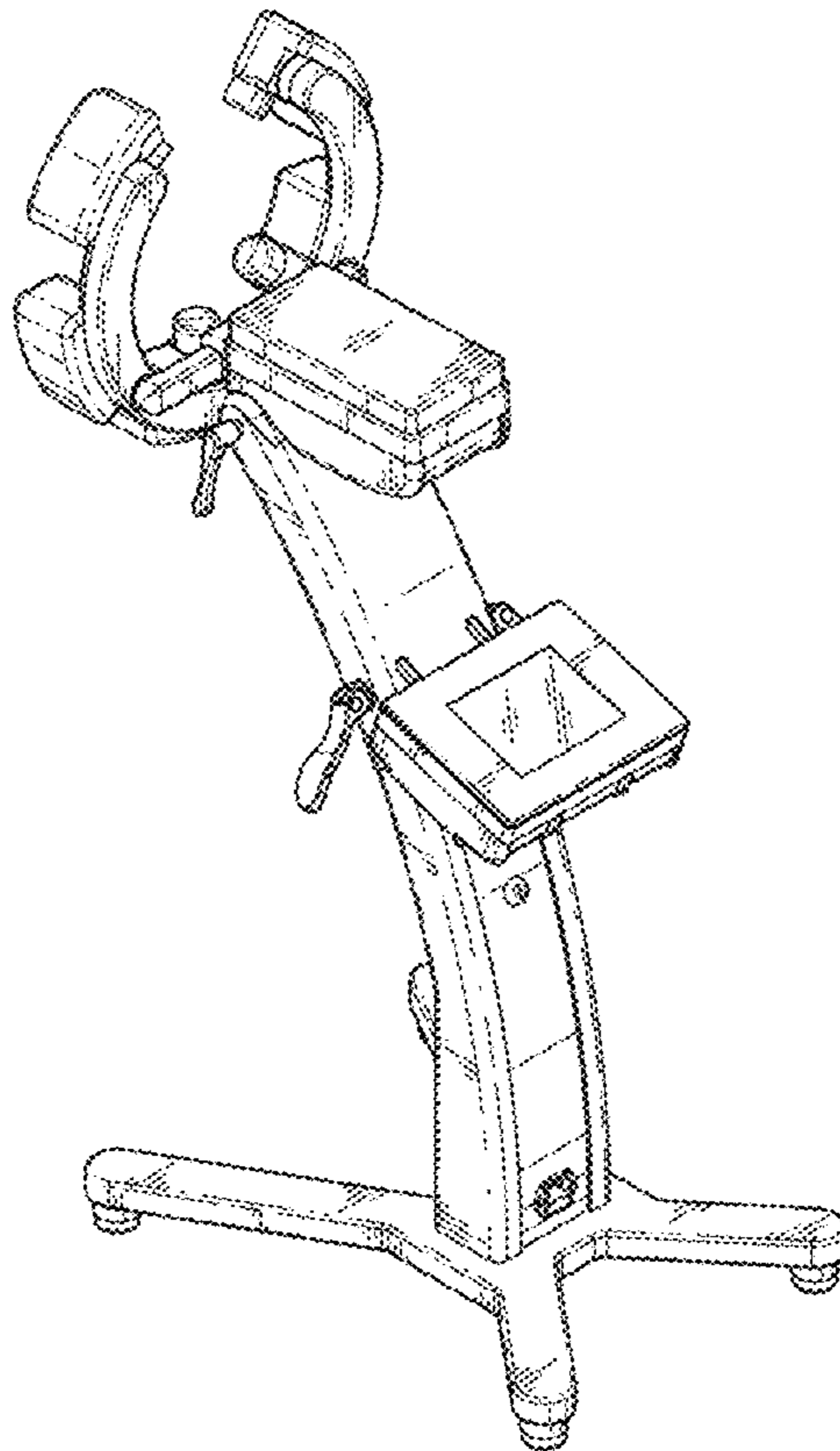
FIG. 7 is a rear elevation view thereof;

FIG. 8 is a top plan view thereof; and,

FIG. 9 is a bottom plan view thereof.

The nature and intended use of the article in which the design is embodied is as a therapy device that emits laser energy.

1 Claim, 9 Drawing Sheets



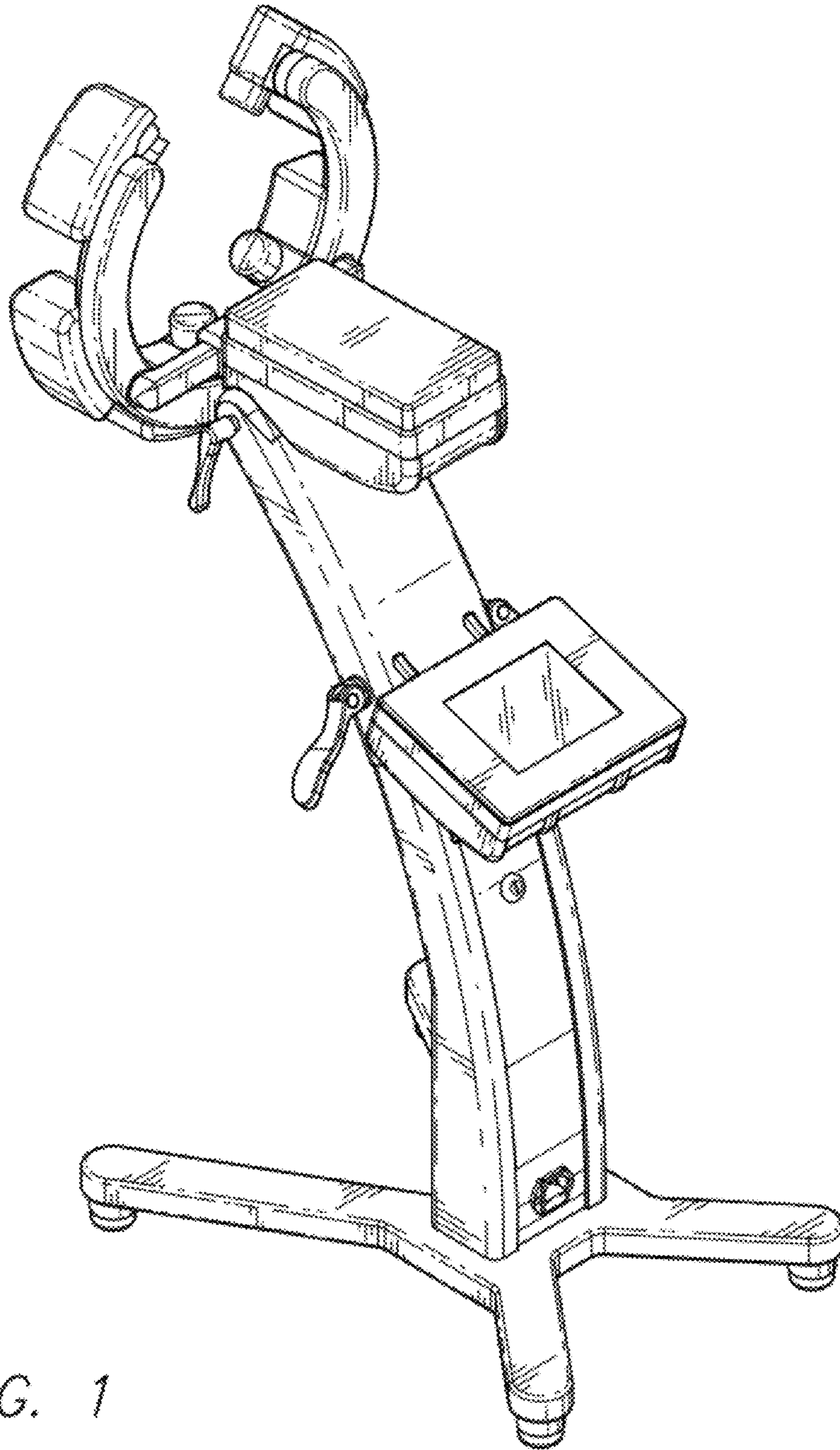


FIG. 1

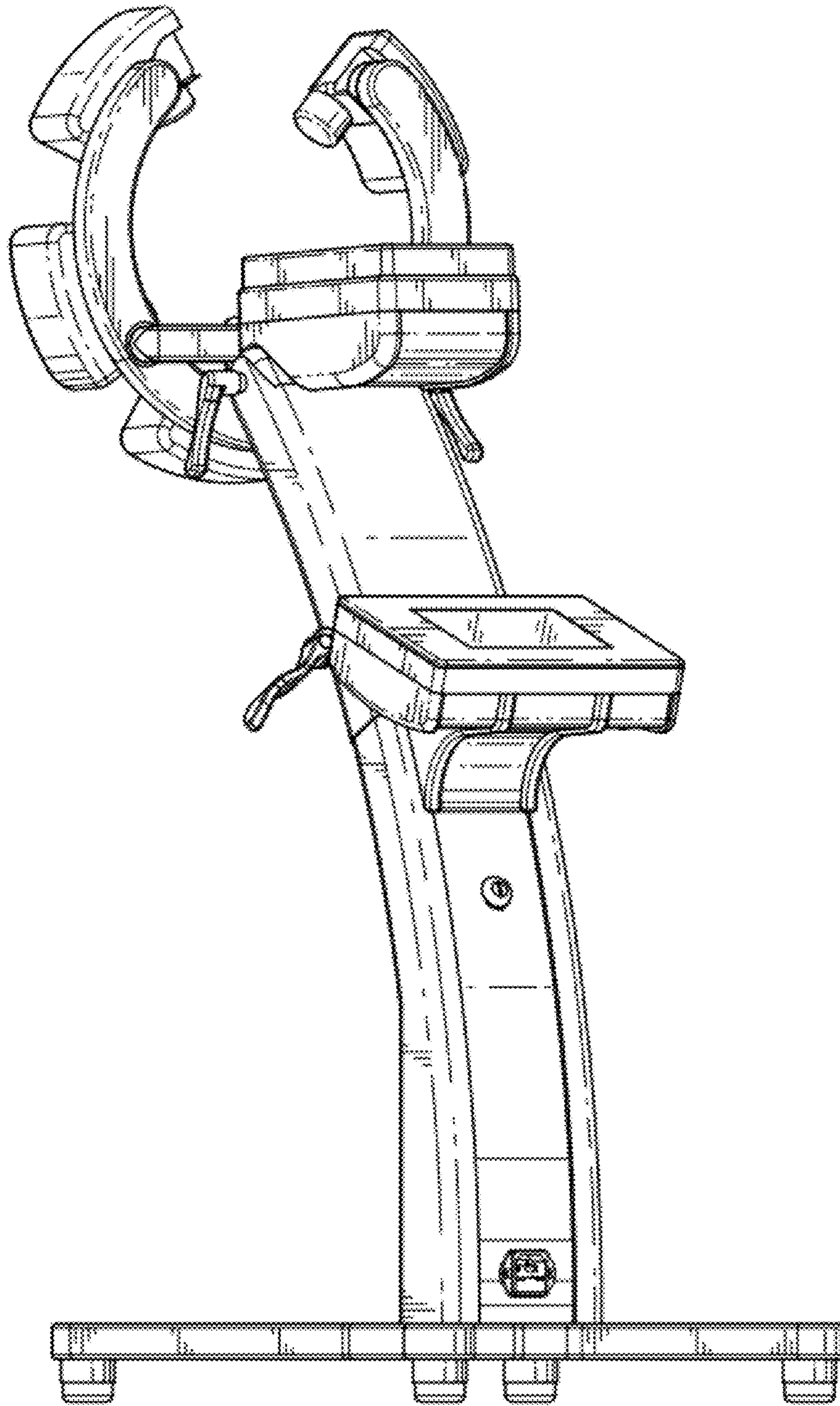


FIG. 2

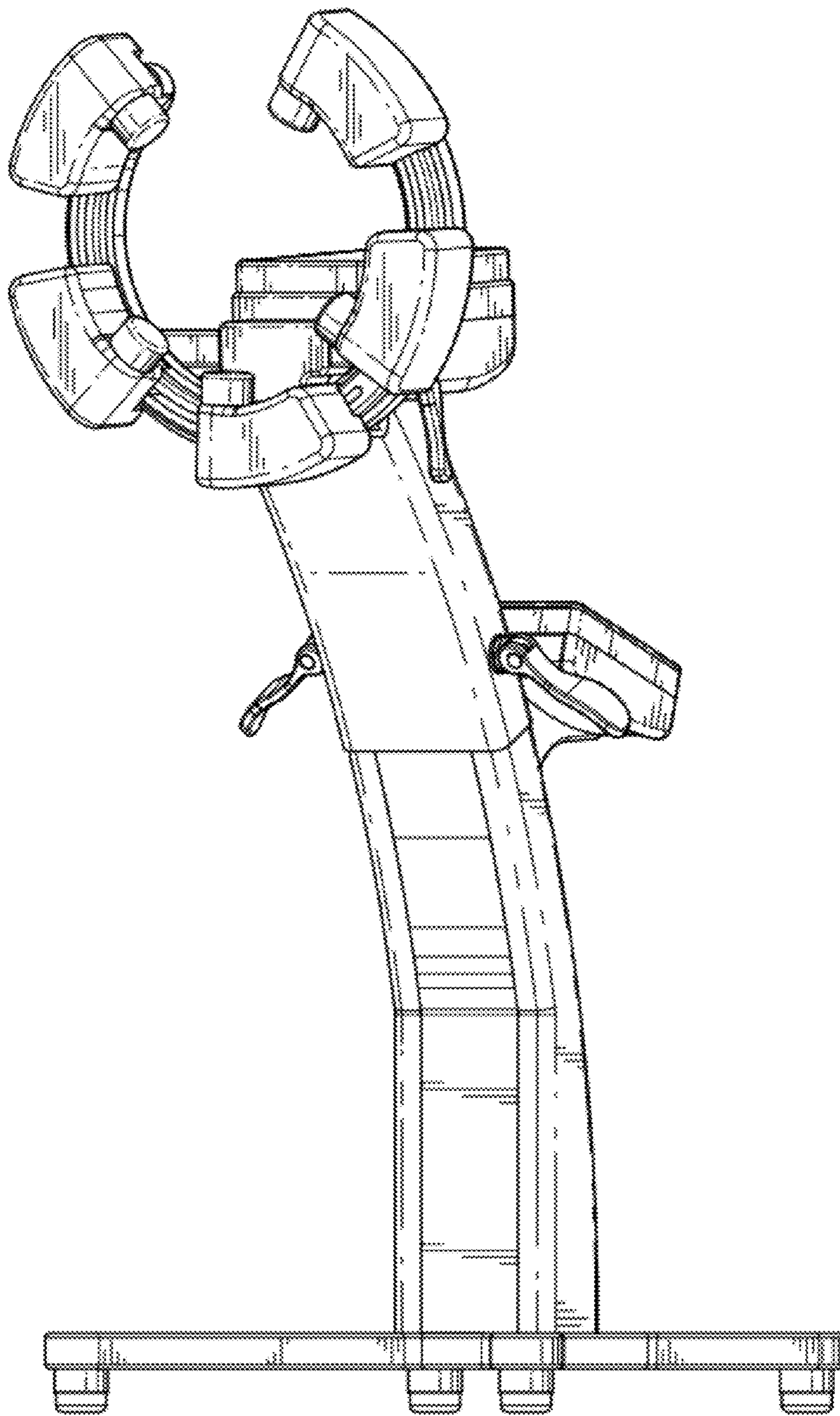


FIG. 3

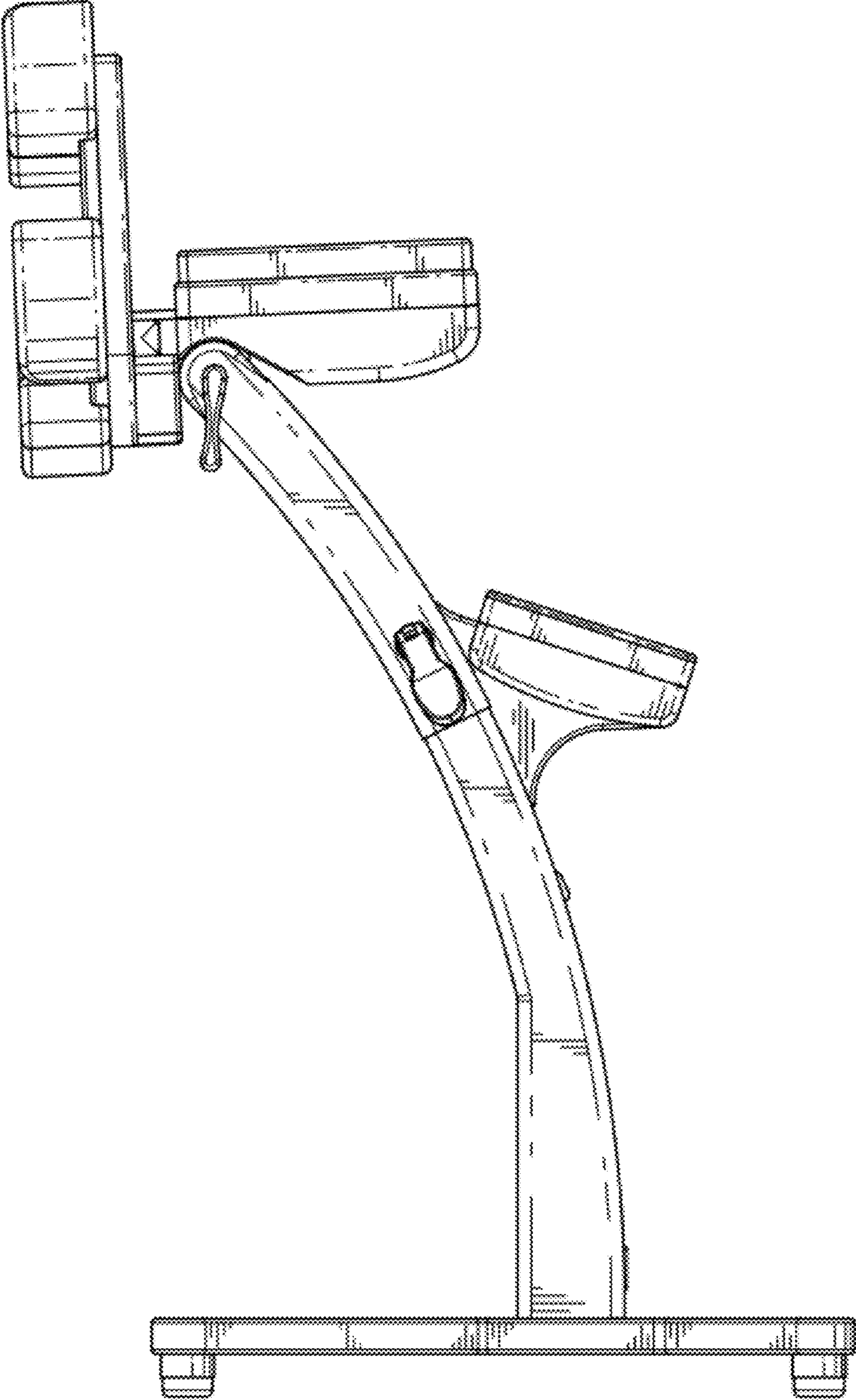


FIG. 4

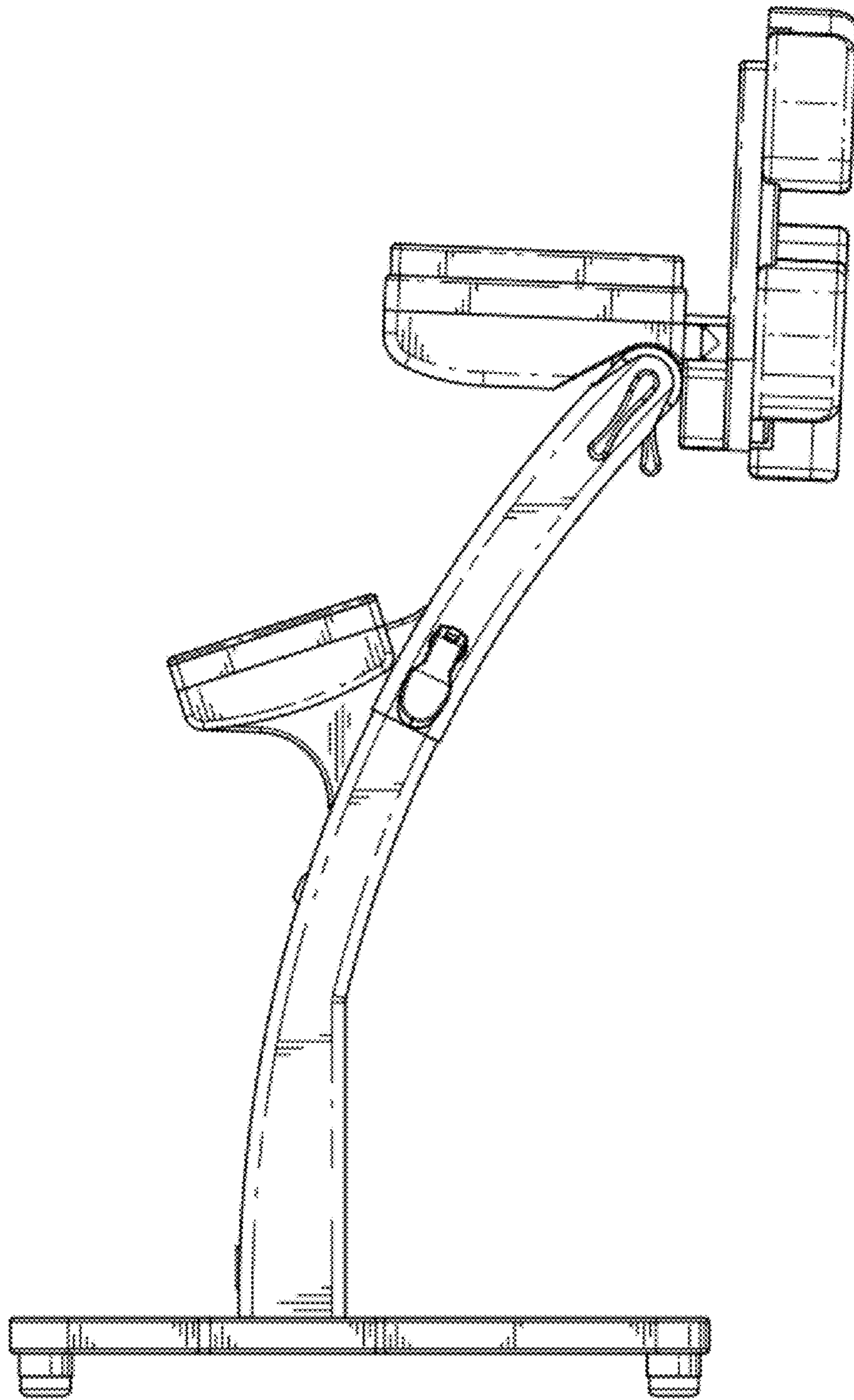


FIG. 5

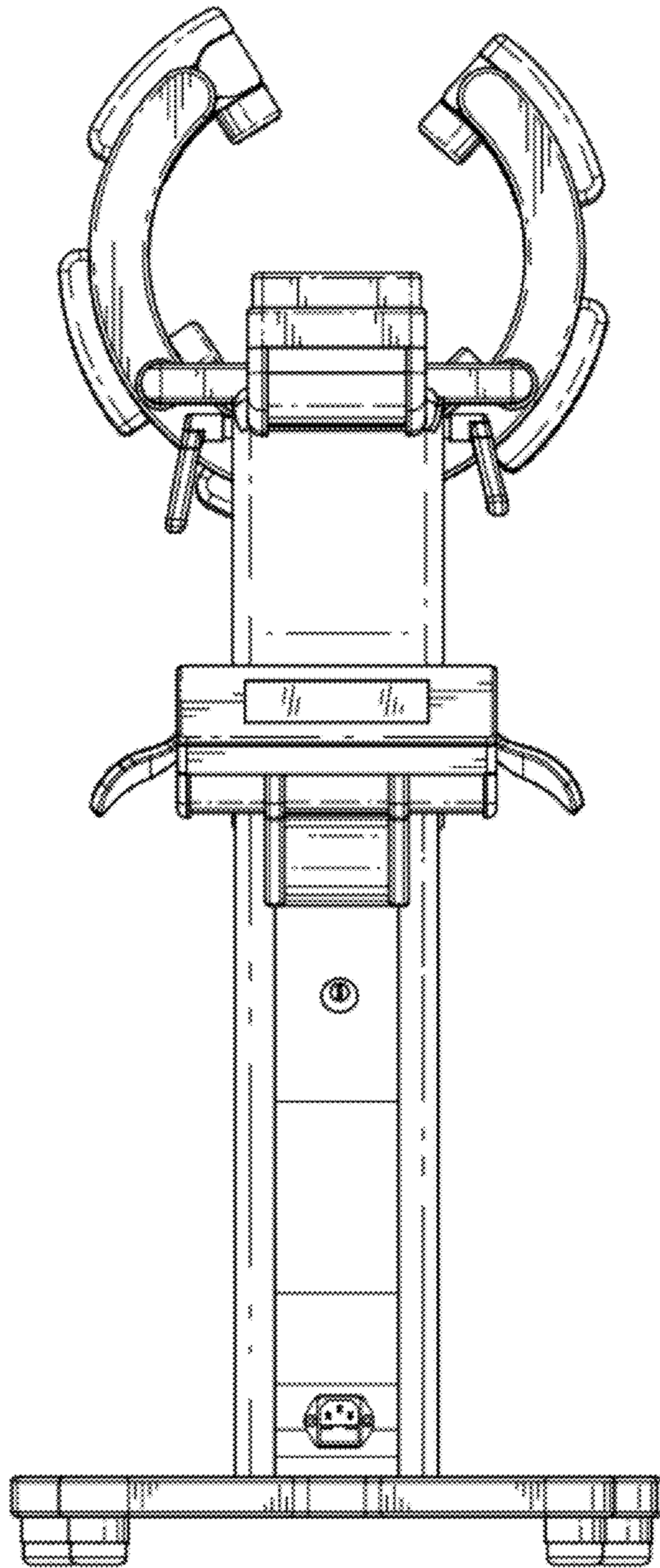


FIG. 6

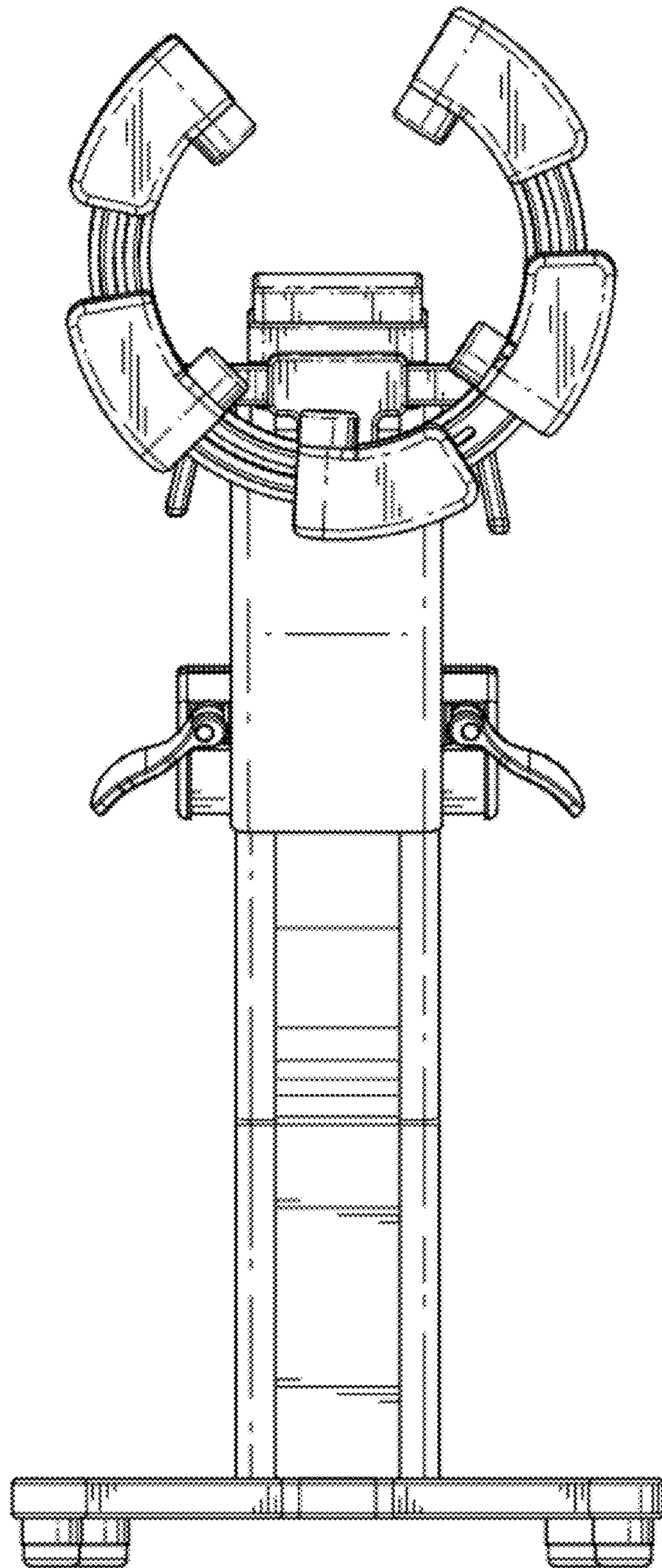


FIG. 7

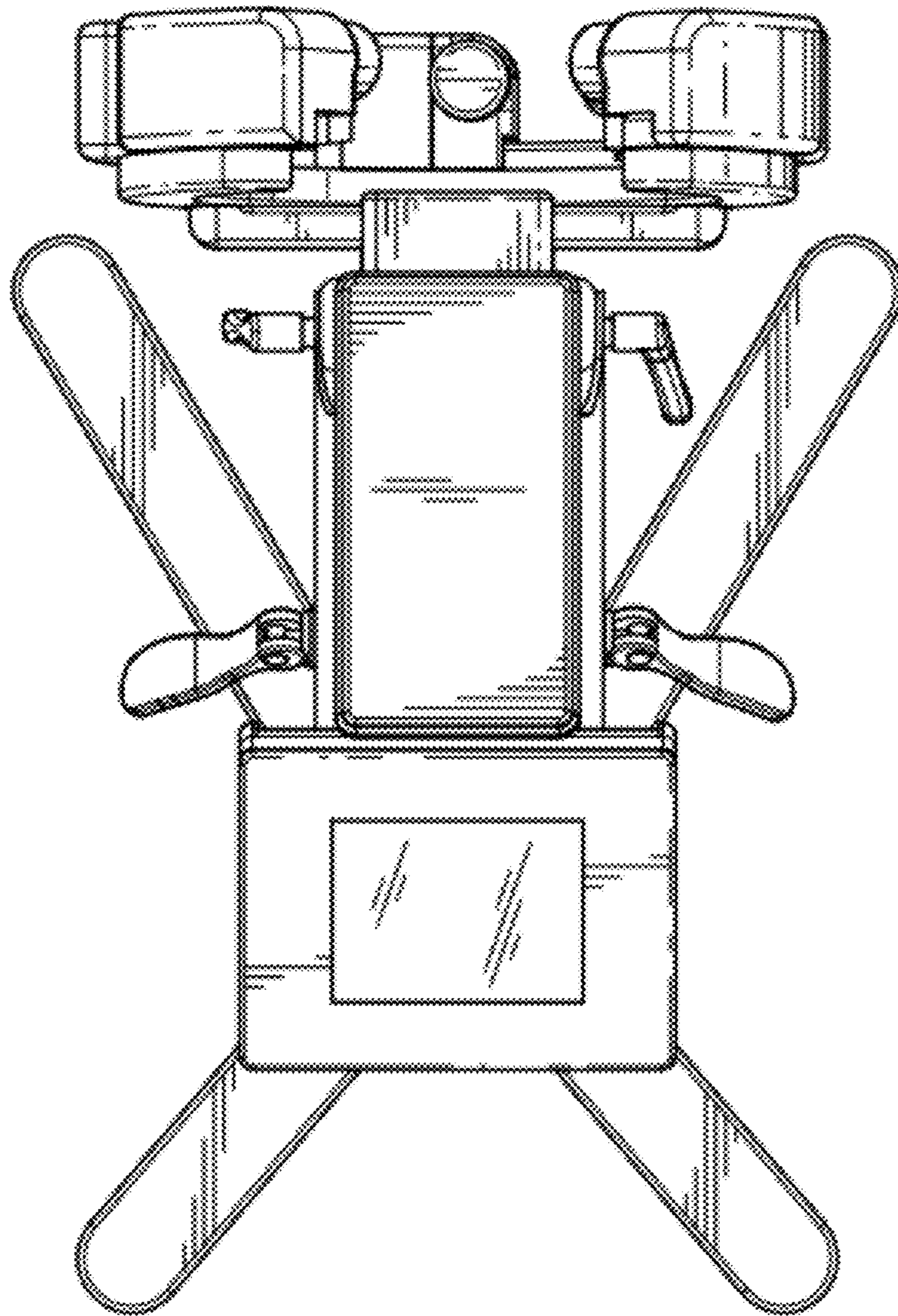


FIG. 8

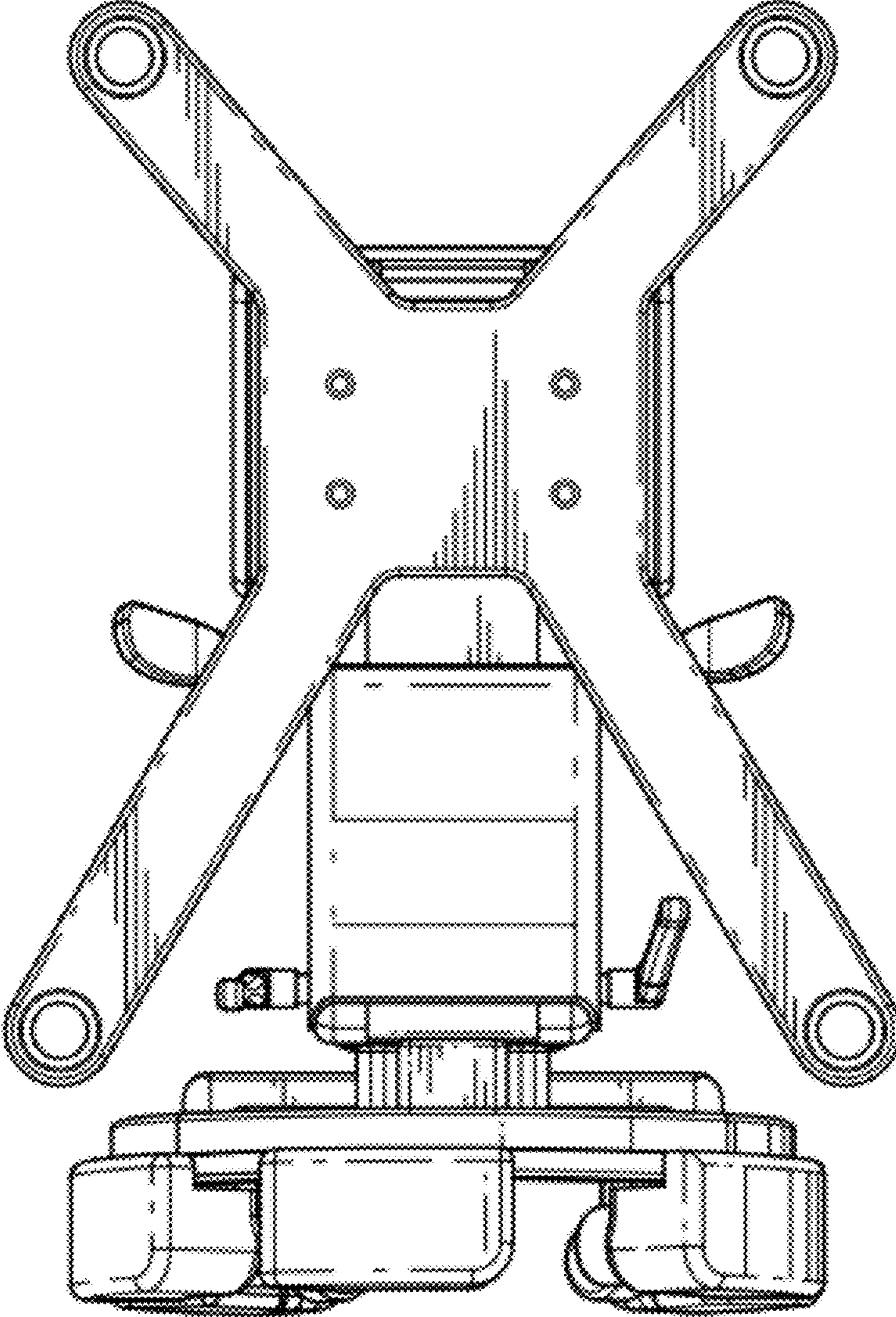


FIG. 9