



US00D668767S

(12) **United States Design Patent**
Stephan et al.

(10) **Patent No.:** **US D668,767 S**

(45) **Date of Patent:** **** Oct. 9, 2012**

(54) **NIPPLE**

(75) Inventors: **Gary R. Stephan**, Seven Hills, OH (US); **Craig Saunders**, Rocky River, OH (US); **Evan Spirk**, Gates Mills, OH (US); **Jeffrey Kalman**, Cleveland Heights, OH (US); **David Boll**, Avon, OH (US); **Anthony S. Zuccaro**, Chesterland, OH (US)

(73) Assignee: **Abbott Laboratories**, Abbott Park, IL (US)

(**) Term: **14 Years**

(21) Appl. No.: **29/403,155**

(22) Filed: **Oct. 1, 2011**

(51) **LOC (9) Cl.** **24-04**

(52) **U.S. Cl.** **D24/196**

(58) **Field of Classification Search** D24/193-198; D9/500, 503-504, 547, 444-445, 454; D7/510-511, D7/533-534; 215/6, 10, 11.1-11.6, 12.1, 215/13.1, 255-256, 378; 606/234-236
See application file for complete search history.

(56) **References Cited**

U.S. PATENT DOCUMENTS

1,174,828 A	3/1916	Copeland	
2,365,947 A	12/1944	Ganson	
2,766,022 A	10/1956	Bender	
3,113,569 A *	12/1963	Barr et al.	215/11.1
3,346,133 A	10/1967	Herdman	
3,411,648 A	11/1968	Tichy	
3,690,621 A	9/1972	Tanaka et al.	
D252,068 S	6/1979	Lovely	
D292,966 S	12/1987	Gager	
4,718,447 A	1/1988	Marshall	
D294,735 S	3/1988	Morano et al.	
D302,793 S	8/1989	Yamaguchi	
4,893,940 A	1/1990	Waisberg	
4,893,941 A	1/1990	Wayte	
D306,071 S	2/1990	Klitsner	
4,979,629 A	12/1990	Askerneese	

D313,529 S	1/1991	Bormioli	
D316,100 S	4/1991	Kief	
D317,129 S	5/1991	Beranek et al.	
D320,938 S	10/1991	Stallings	
D327,015 S	6/1992	Stallings	
D330,938 S	11/1992	Sakashita	
5,199,788 A	4/1993	Stallings	
D339,197 S	9/1993	Ziegler	
D348,836 S	7/1994	McCallum et al.	
D356,160 S	3/1995	Cautereels	
5,419,445 A	5/1995	Kaesemeyer	
D364,256 S	11/1995	Breen et al.	
D365,021 S	12/1995	Park	
5,472,274 A	12/1995	Baillie	
D370,411 S	6/1996	Vernon, IV	
D371,304 S	7/1996	Onneweer	
5,544,766 A *	8/1996	Dunn et al.	215/11.1
5,588,548 A	12/1996	Brankley	
5,626,256 A	5/1997	Onneweer	

(Continued)

OTHER PUBLICATIONS

<http://www.babyfeedingbottleshelp.com/>, Mar. 13, 2012.

(Continued)

Primary Examiner — Susan E Krakower

(74) *Attorney, Agent, or Firm* — McAndrews, Held & Malloy, Ltd.

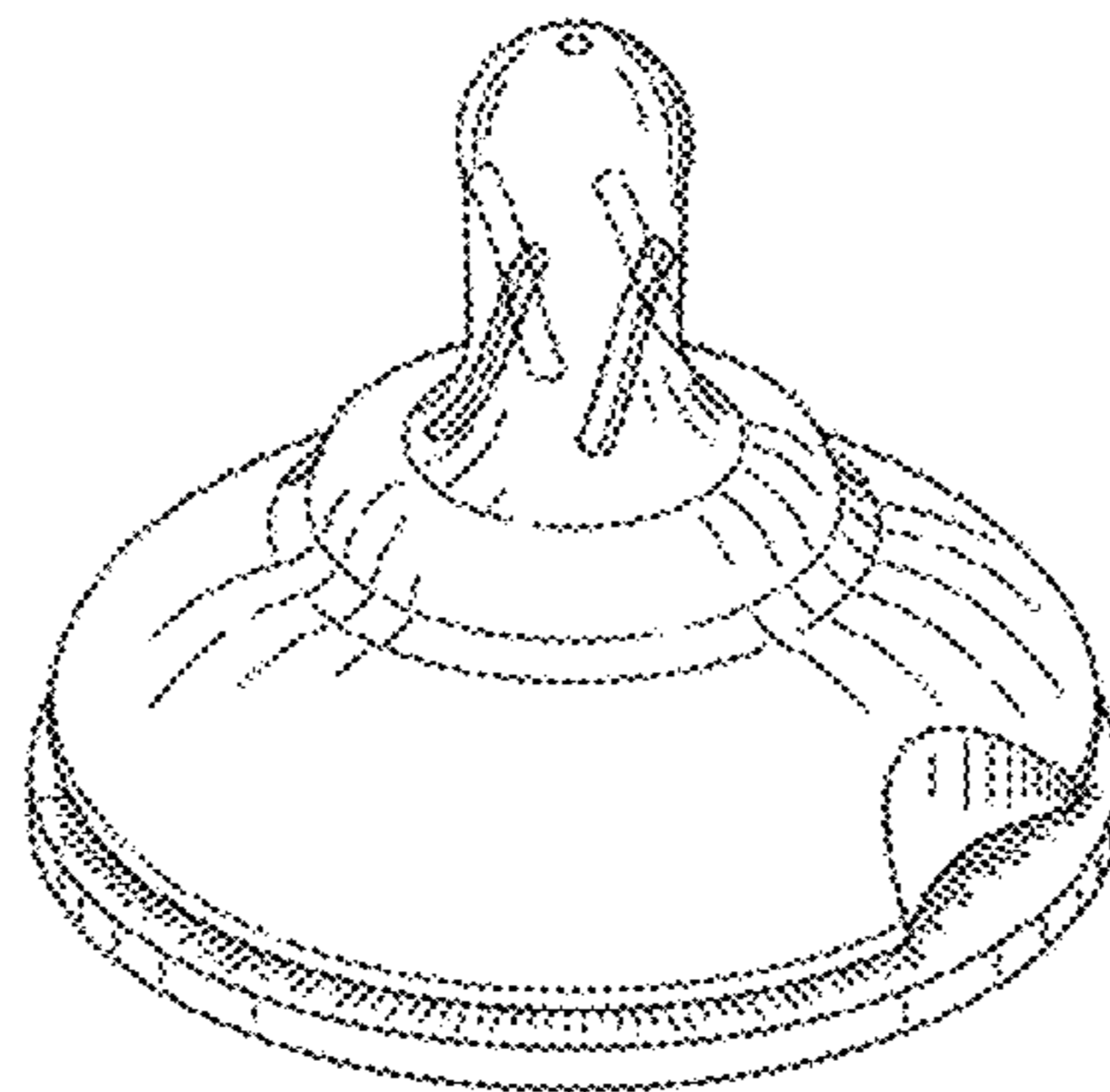
(57) **CLAIM**

The ornamental design for a nipple, as shown and described.

DESCRIPTION

FIG. 1 is a front perspective view of a nipple showing our new design;
FIG. 2 is a rear perspective view thereof;
FIG. 3 is a front elevation view thereof;
FIG. 4 is a rear elevation view thereof;
FIG. 5 is a left side elevation view thereof;
FIG. 6 is a right side elevation view thereof;
FIG. 7 is top plan view thereof; and,
FIG. 8 is a bottom plan thereof.

1 Claim, 3 Drawing Sheets



US D668,767 S

U.S. PATENT DOCUMENTS

D386,407 S	11/1997	Gutting et al.	
5,695,282 A	12/1997	Hess	
5,881,893 A *	3/1999	Manganiello	215/11.5
5,894,965 A	4/1999	Robbins, III et al.	
D413,799 S	9/1999	Schlatter	
D420,448 S	2/2000	Brown et al.	
D423,107 S	4/2000	Brown et al.	
D426,742 S	6/2000	Gartz et al.	
D433,337 S	11/2000	Cautereels	
D435,108 S	12/2000	Chomik et al.	
D436,862 S	1/2001	Witt et al.	
RE37,137 E	4/2001	Ghidini	
D441,086 S	4/2001	Morano	
D441,087 S	4/2001	Johansen et al.	
D441,247 S	5/2001	Beam	
D441,870 S	5/2001	Randolph	
D442,087 S	5/2001	Walls	
D442,435 S	5/2001	Takagi	
6,224,253 B1	5/2001	Dixon	
D444,239 S *	6/2001	Kobayashi et al.	D24/196
6,257,428 B1	7/2001	Caola	
D450,387 S	11/2001	Gaona	
D451,392 S	12/2001	Kitamura et al.	
D451,393 S	12/2001	Gerhart et al.	
D459,815 S *	7/2002	Pastucha	D24/196
D460,825 S	7/2002	Renz	
6,419,385 B1	7/2002	Walls	
6,439,380 B1	8/2002	Welsh	
D463,280 S	9/2002	Brozell	
D463,567 S *	9/2002	Morano	D24/196
D464,434 S *	10/2002	Morano	D24/197
D465,028 S	10/2002	Renz	
6,484,895 B2	11/2002	Montgomery et al.	
6,508,379 B1	1/2003	Van De Pol-Klein Nagelvoort et al.	
D470,050 S	2/2003	Renz et al.	
D470,593 S	2/2003	Iodice	
D478,669 S	8/2003	Wear	
6,616,319 B2	9/2003	Renz	
D486,579 S *	2/2004	Dunn	D24/196
D486,996 S	2/2004	Karp	
D488,560 S	4/2004	Renz et al.	
D489,261 S	5/2004	Doelling	
6,769,800 B1	8/2004	Young	
D496,733 S	9/2004	Morano et al.	
D497,672 S	10/2004	Renz	
6,877,891 B2	4/2005	Hu	
D504,725 S	5/2005	Randolph et al.	
D511,836 S	11/2005	Morano et al.	
D513,181 S	12/2005	Bloom et al.	
6,978,908 B2	12/2005	Morano et al.	
D516,911 S	3/2006	Bloom et al.	
D525,523 S	7/2006	King	
D528,660 S	9/2006	Lornage	
7,150,370 B2	12/2006	Pyun	
D538,939 S	3/2007	Conaway et al.	
7,185,766 B2	3/2007	Cooper	
D539,650 S	4/2007	Smith et al.	
D545,623 S	7/2007	Renz et al.	
D546,463 S	7/2007	Potvin	
D555,795 S	11/2007	Mallet	
D566,551 S	4/2008	Pettigrew et al.	
D572,586 S	7/2008	Medema	
D577,583 S	9/2008	Porter et al.	
D582,271 S	12/2008	Vogel	
D583,234 S	12/2008	Lohrman et al.	
D590,950 S	4/2009	Driver et al.	
7,513,678 B2	4/2009	Venus	
D591,557 S	5/2009	Bodum	
D592,954 S	5/2009	Capretta et al.	
D595,417 S	6/2009	Driver et al.	
D599,028 S *	8/2009	Schofield	D24/196
D602,775 S	10/2009	Shale	
D603,261 S	11/2009	Arnell et al.	
D609,093 S	2/2010	Wisniewski et al.	
D609,528 S	2/2010	Roehrig et al.	
D610,454 S	2/2010	Lohrman et al.	
D614,954 S	5/2010	Crowell et al.	
D615,399 S	5/2010	Bran	
D616,747 S	6/2010	Stull et al.	
D623,060 S	9/2010	Hassamanci	
D624,414 S	9/2010	Benoit-Gonin et al.	
D625,424 S	10/2010	MacKay et al.	
D627,641 S	11/2010	Mazurkiewicz et al.	
D628,890 S	12/2010	Groubert et al.	
D630,093 S	1/2011	Bardet	
D630,334 S	1/2011	Paige	
D634,192 S	3/2011	Mueller	
D634,198 S	3/2011	Groubert et al.	
D635,683 S *	4/2011	Shaikh et al.	D24/196
D635,684 S	4/2011	Shaikh et al.	
D637,300 S *	5/2011	Yamashita et al.	D24/196
D639,969 S	6/2011	Pukall et al.	
D639,970 S	6/2011	Pukall et al.	
D640,101 S	6/2011	Clark, Jr. et al.	
D641,887 S	7/2011	Sirota	
D642,434 S	8/2011	Schofield et al.	
D644,334 S	8/2011	Py	
8,020,507 B2	9/2011	Strong	
D649,878 S	12/2011	Weiss	
D650,672 S	12/2011	Krallmann	
D652,938 S	1/2012	Py et al.	
D655,166 S	3/2012	Arand et al.	
D655,818 S *	3/2012	Roehrig	D24/194
2004/0026351 A1 *	2/2004	Dunn et al.	215/11.1
2004/0099544 A1	5/2004	Ness et al.	
2004/0124168 A1	7/2004	Silver	
2010/0096395 A1	4/2010	Miller	

OTHER PUBLICATIONS

http://www.alibaba.com/product-gs/340931498/silicone_feeding_bottle.html, Mar. 13, 2012.

http://www.alibaba.com/product-free/107193305/Baby_Feeding_Bottles.html, Mar. 13, 2012.

<http://green-bebe.com/blog/2008/05/27/green-to-grow-baby-bottles-are-now-available/>, Mar. 13, 2012.

http://www.chinababybottle.com/news_info/borosilicate-glass-baby-feeding-bottle-n10946.html, Mar. 13, 2012.

<http://www.greatgreenbaby.com/tough-safe-cute-stainless-steel-baby-bottle/>, Mar. 13, 2012.

http://www.sears.com/shc/s/p_10153_12605_SPM5884866007P?i_cnr=1331536943517, Mar. 13, 2012.

<http://www.ttnet.net/ttnet/gotopr/MB115/020/0/151303235383434333.htm>, Mar. 13, 2012.

<http://www.iplaywholesale.com/index.php/greensprouts/feeding/food-prep-storage/water-bottle-capadaptor.html>, Mar. 13, 2012.

<http://www.greentogrow.com/product.aspx?productID=CAPREG>, Mar. 13, 2012.

<http://www.aventcoupons.org/avent-bottle-adapter-ring/>, Mar. 13, 2012.

<http://www.magicbaby.pl/81-smoczek-do-butelki-wolny-1m-philips-avent-scf632-27.html>, Mar. 13, 2012.

<http://www.petitbliss.com/shop/product.php?sku=28104&cat=2703&page=1>, Mar. 13, 2012.

<http://garagelelong.wordpress.com/2008/10/31/brand-new-baby-milk-bottles/>, Mar. 13, 2012.

* cited by examiner

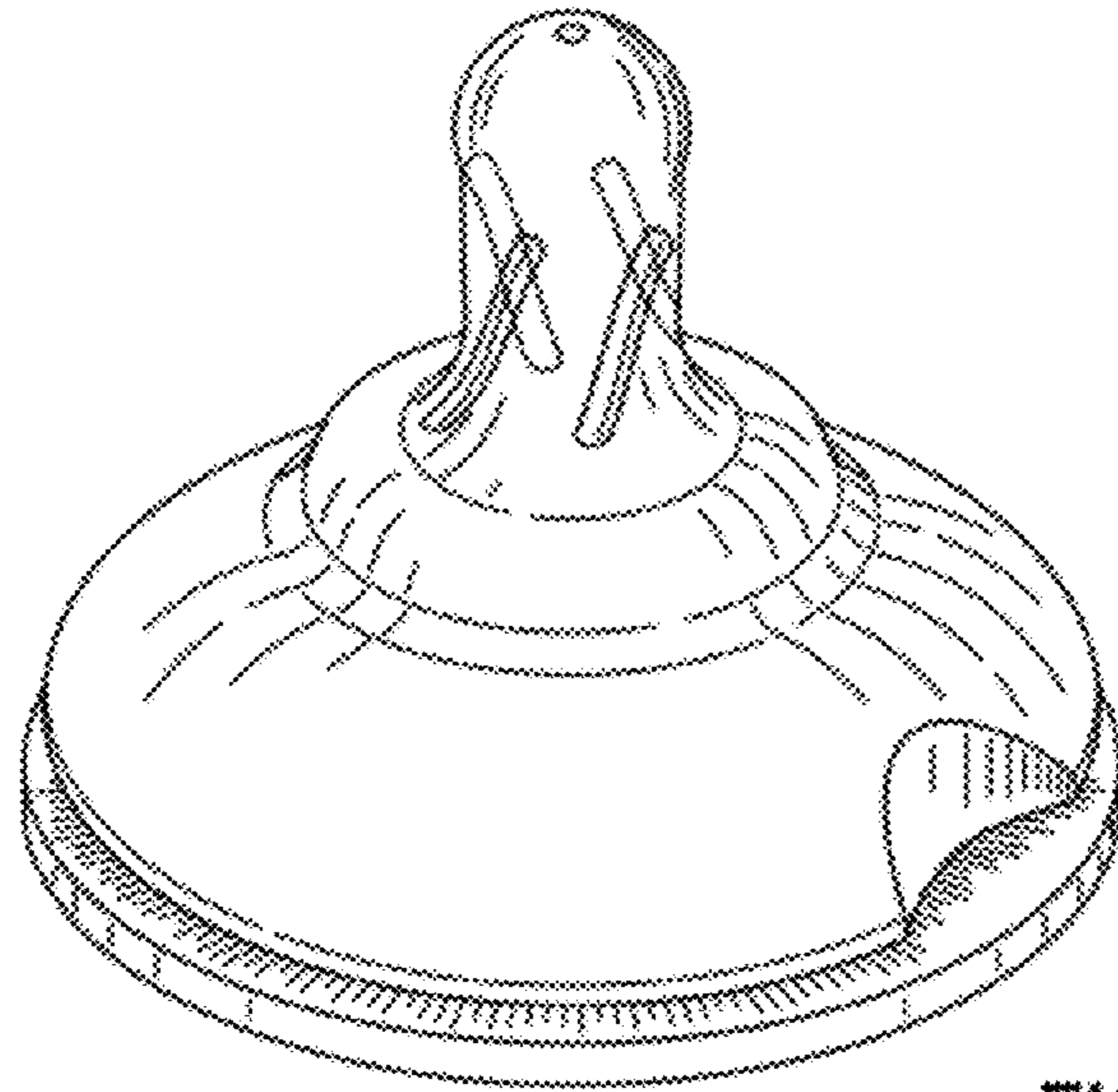


FIG. 1

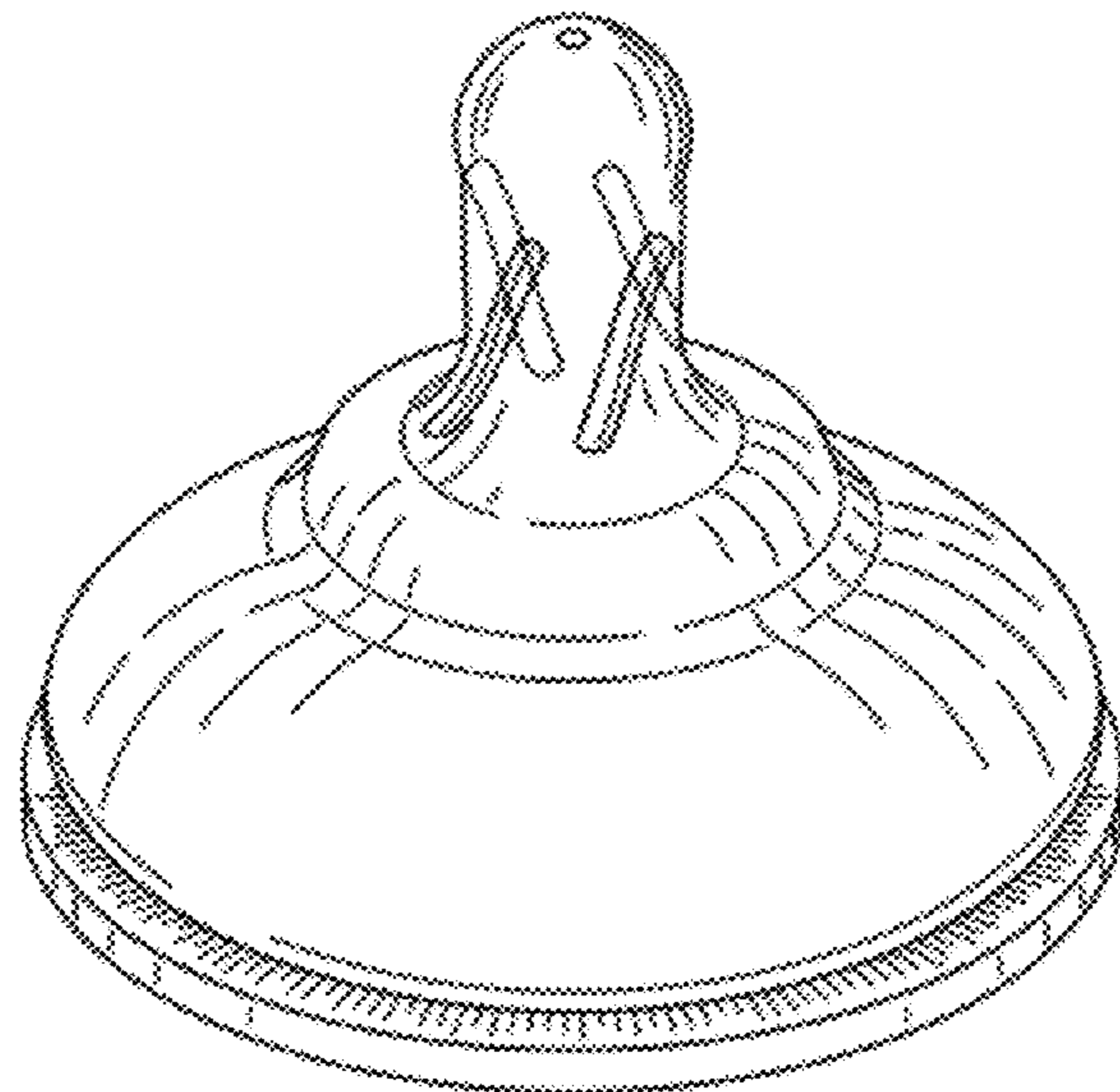


FIG. 2

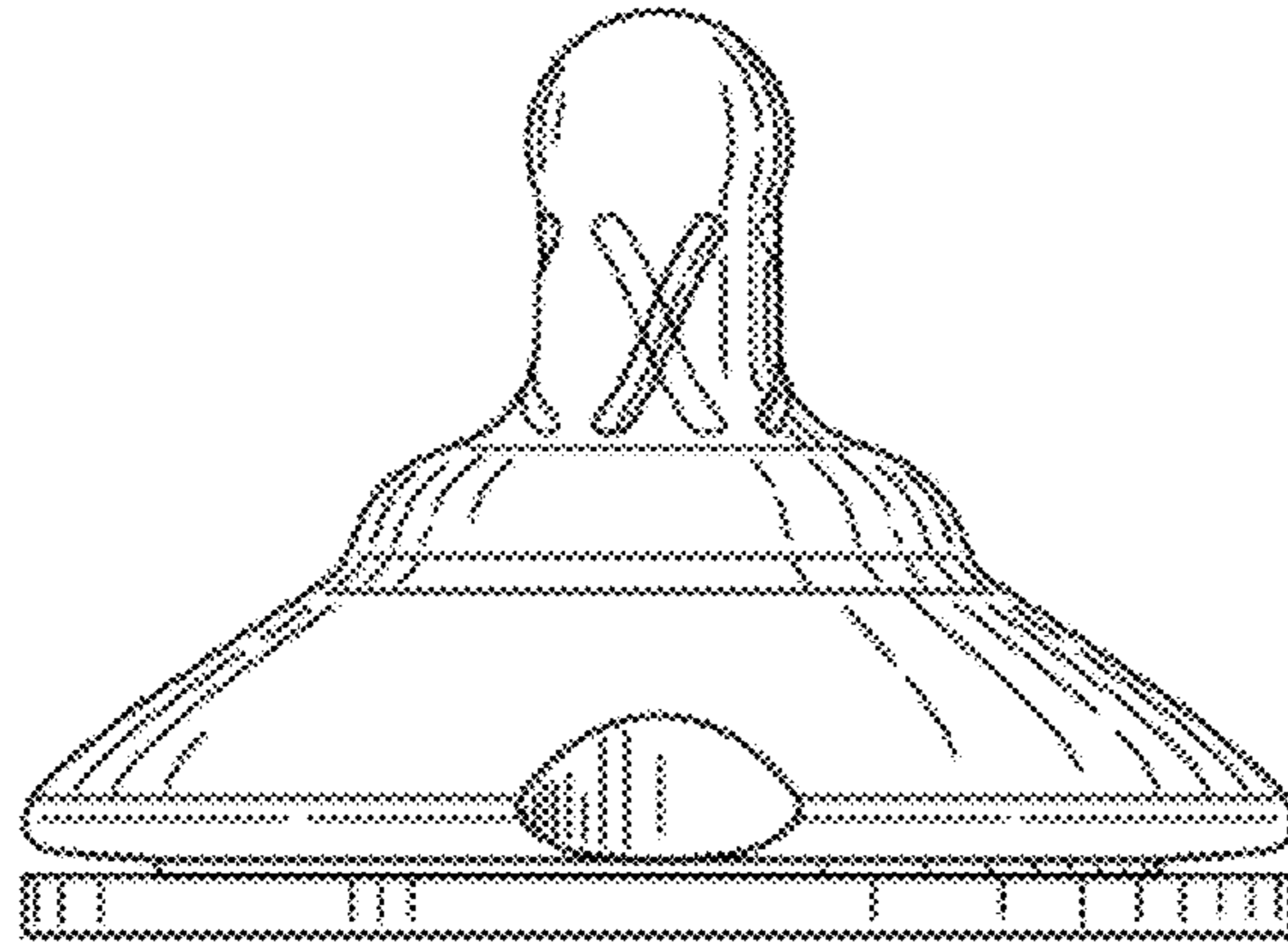


FIG. 3

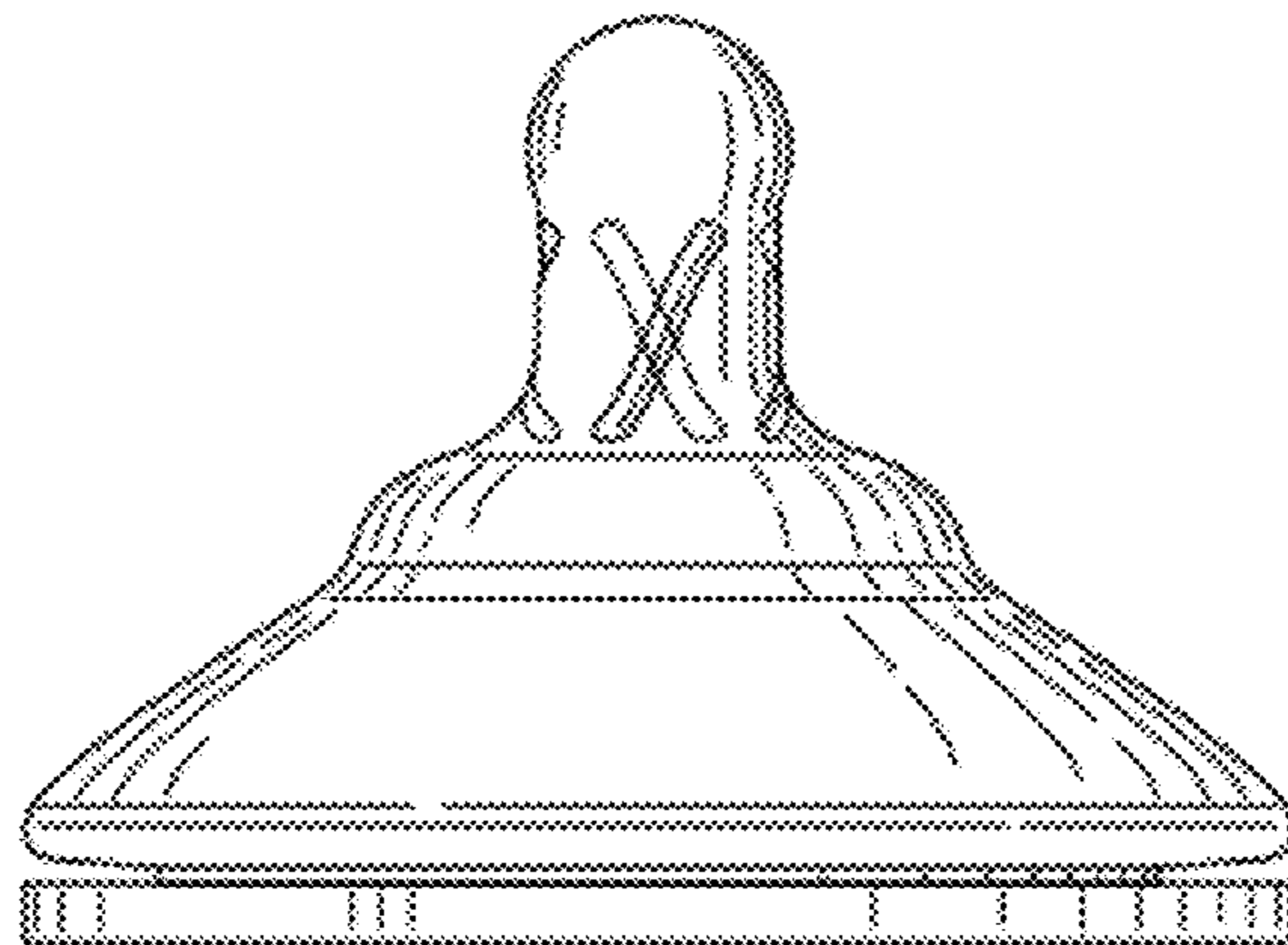


FIG. 4

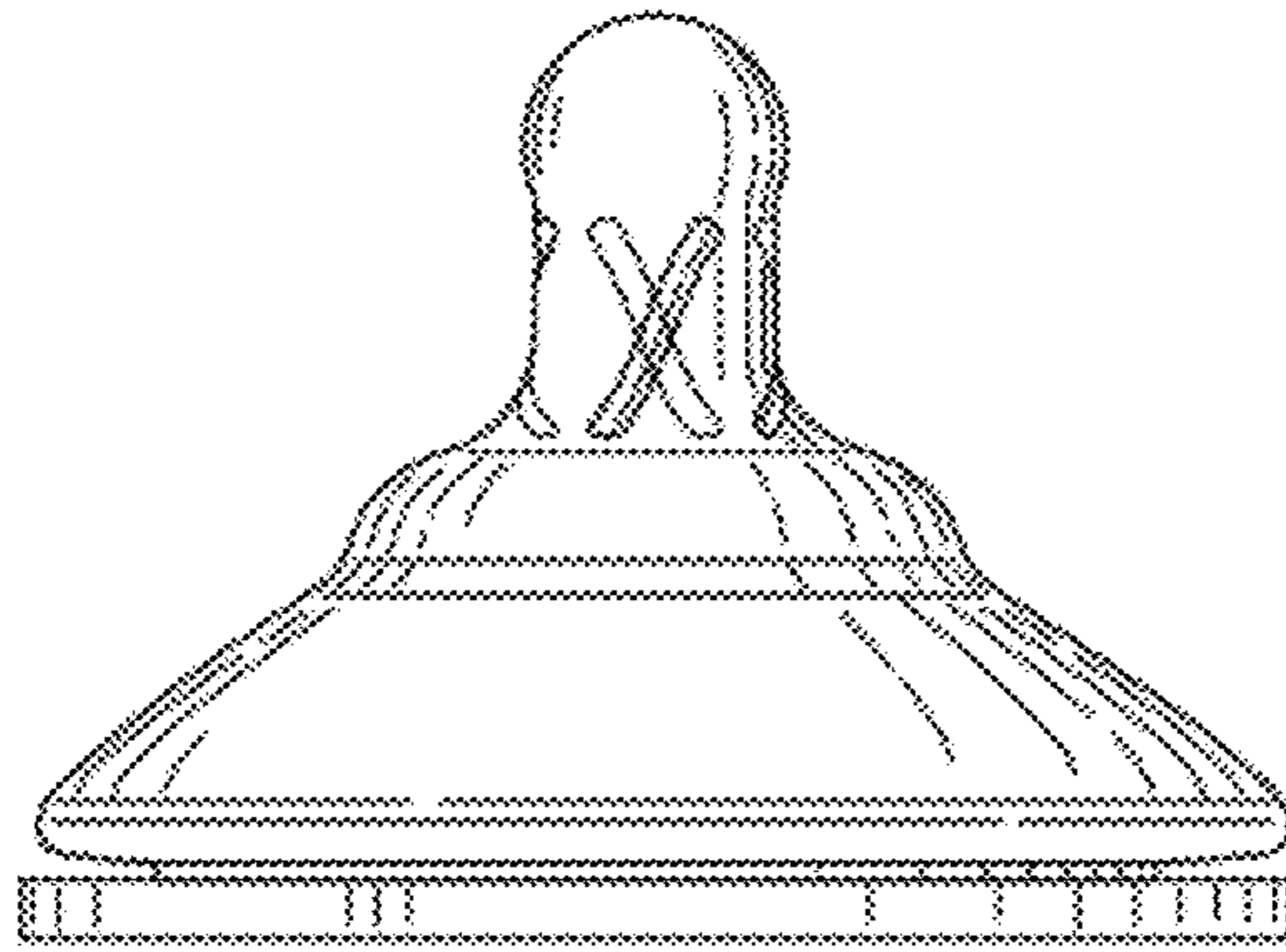


FIG. 5

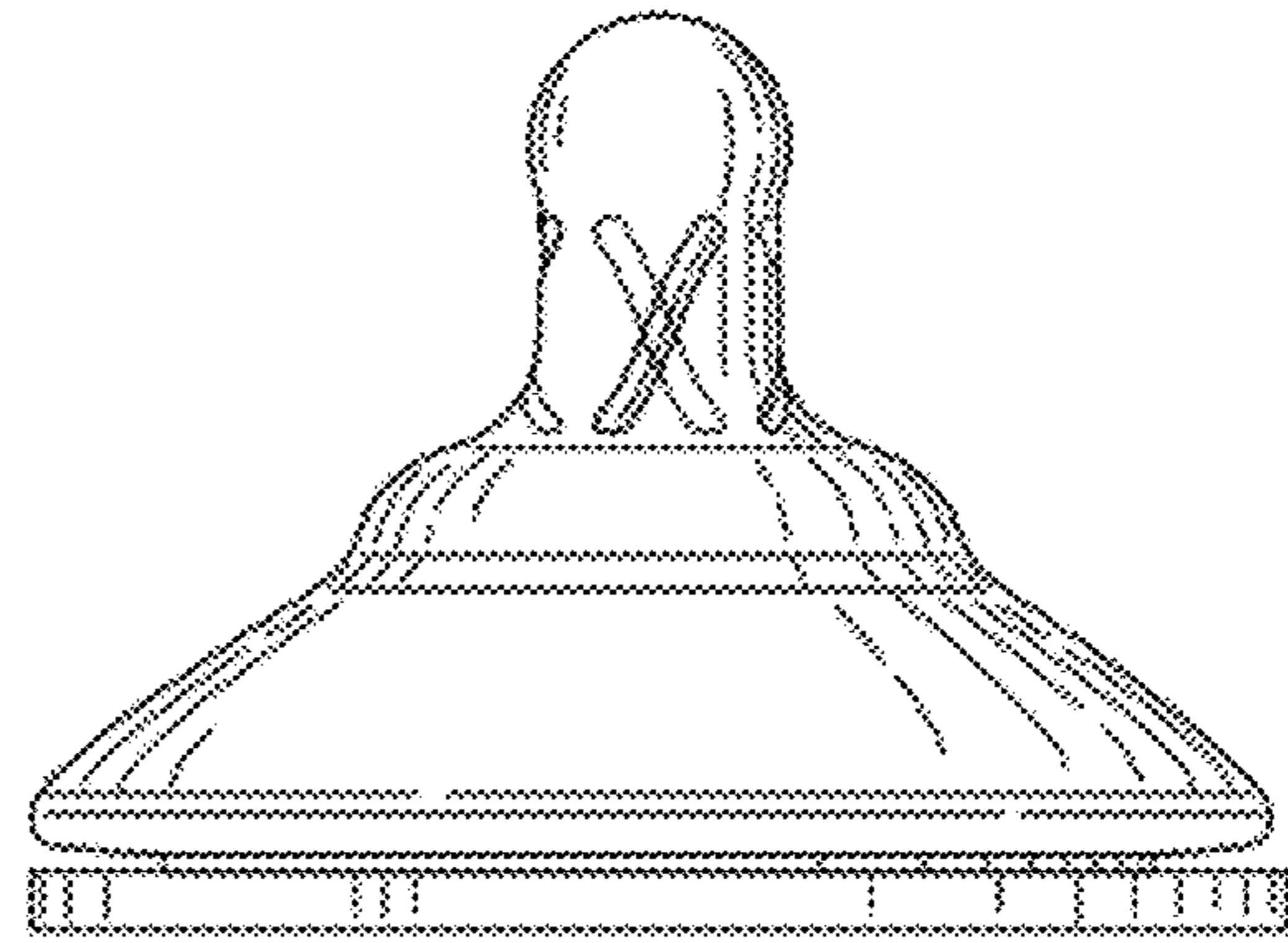


FIG. 6

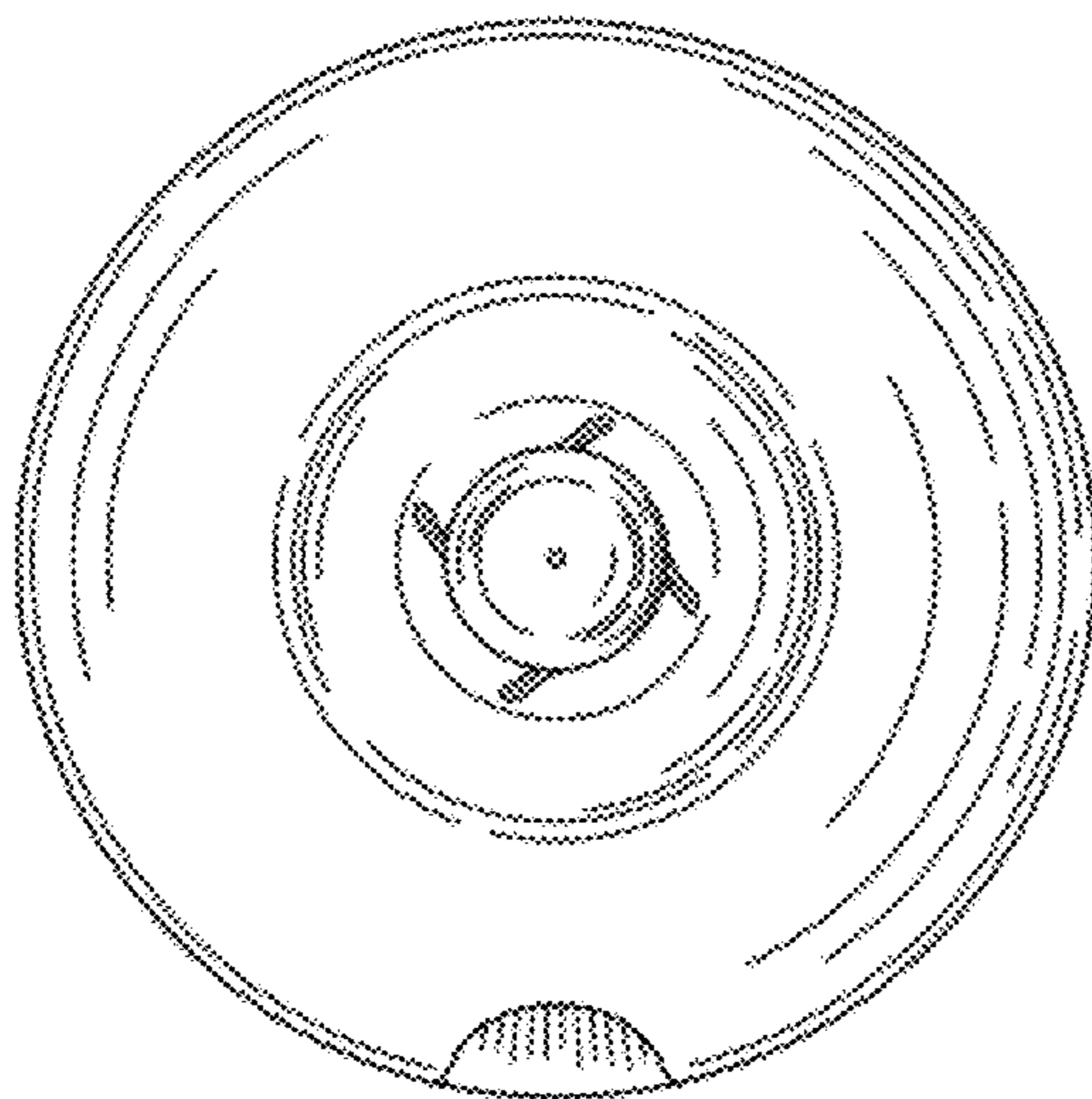


FIG. 7

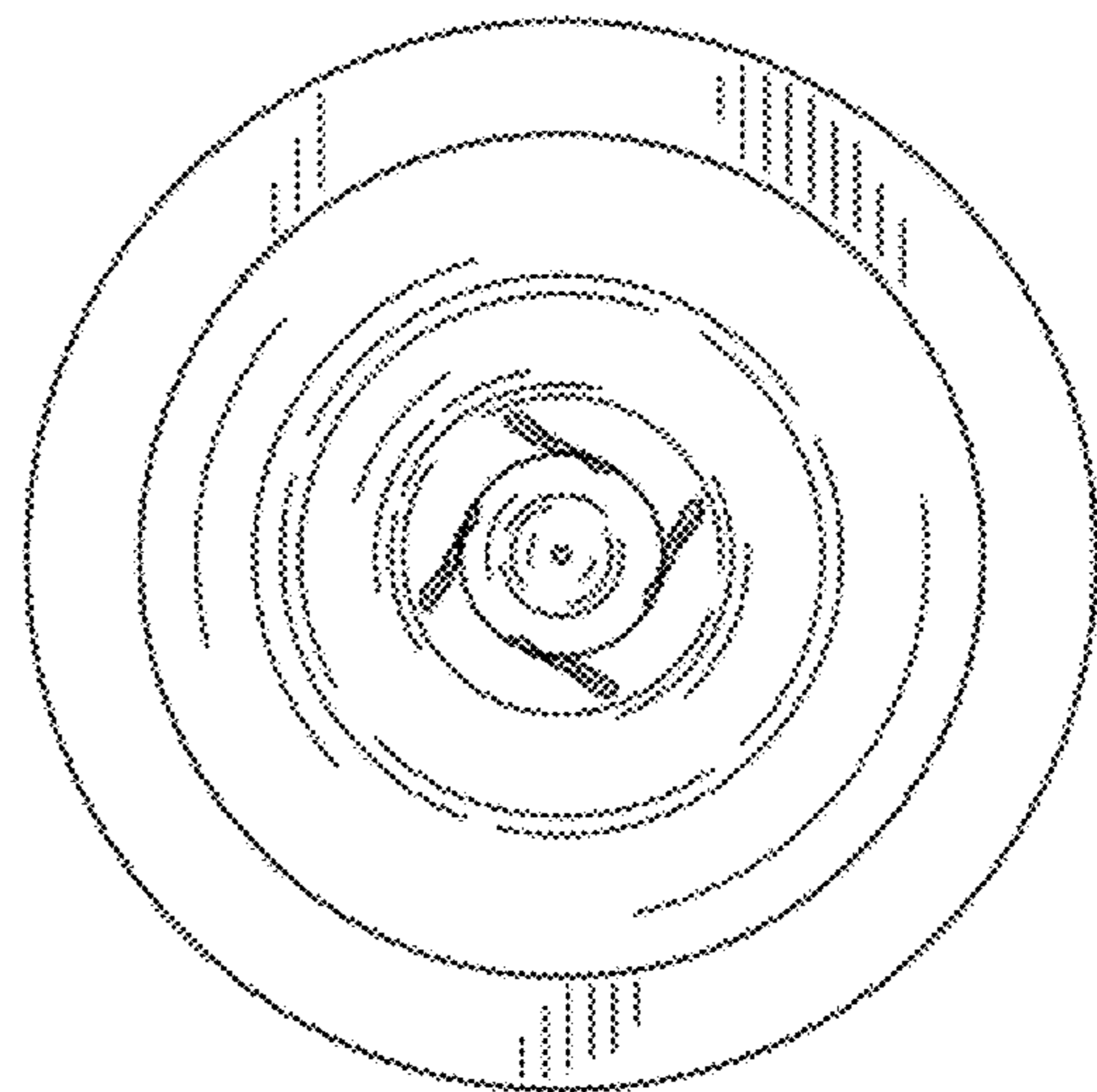


FIG. 8