



US00D668766S

(12) **United States Design Patent**
Miyachi et al.

(10) **Patent No.:** **US D668,766 S**

(45) **Date of Patent:** **** Oct. 9, 2012**

(54) **MEDICAL PATCH**

(75) Inventors: **Isao Miyachi**, Tosu (JP); **Yuichi Takano**, Tosu (JP); **Hiromitsu Tsunoda**, Tosu (JP)

(73) Assignee: **Hisamitsu Pharmaceutical Co., Inc.**, Tosu-shi, Saga (JP)

(**) Term: **14 Years**

(21) Appl. No.: **29/356,252**

(22) Filed: **Feb. 23, 2010**

(30) **Foreign Application Priority Data**

Dec. 28, 2009 (JP) D2009-030568

(51) **LOC (9) Cl.** **24-04**

(52) **U.S. Cl.** **D24/189**

(58) **Field of Classification Search** D24/189;
424/447, 448, 449; 602/41-47, 52, 58; 428/40.1,
428/43, 57, 139, 343, 352; 604/304, 306,
604/307; D5/53, 52, 58

See application file for complete search history.

(56) **References Cited**

U.S. PATENT DOCUMENTS

4,587,146	A *	5/1986	Anhauser et al.	428/42.2
4,638,043	A *	1/1987	Szycher et al.	528/75
5,052,381	A *	10/1991	Gilbert et al.	602/52
5,266,371	A *	11/1993	Sugii et al.	428/41.5
5,998,694	A *	12/1999	Jensen et al.	602/57
D477,086	S *	7/2003	Tsuruda et al.	D24/189
6,953,602	B2 *	10/2005	Carte et al.	427/208.4
D512,509	S *	12/2005	Yamasoto et al.	D24/189
D537,947	S *	3/2007	Miyachika et al.	D24/189
D545,441	S *	6/2007	Miyachika et al.	D24/189
2009/0281471	A1	11/2009	Iwahashi et al.		

FOREIGN PATENT DOCUMENTS

EP		212681	A2 *	3/1987
JP		D1078918		7/2000
JP		D1079150		7/2000
JP		D1079151		7/2000
JP		D1079152		7/2000
JP		D1172420		4/2003
JP		D1204360		5/2004
JP		3689807		6/2005
JP		D1275218		6/2006
JP		2007-075601		3/2007
JP		2008-320248		12/2008
JP		2010029681	A *	2/2010
WO	WO	2004032907	A1 *	4/2004
WO	WO	2005084749	A1 *	9/2005
WO	WO	2008138178	A1 *	11/2008

* cited by examiner

Primary Examiner — T. Chase Nelson

Assistant Examiner — Michelle E Wilson

(74) *Attorney, Agent, or Firm* — Leydig, Voit & Mayer, Ltd.

(57) **CLAIM**

The ornamental design for a medical patch, as shown and described.

DESCRIPTION

FIG. 1 is a front view of a medical patch of the present invention.

FIG. 2 is a rear view of the medical patch of FIG. 1.

FIG. 3 is a top plan view of the medical patch of FIG. 1.

FIG. 4 is a bottom view of the medical patch of FIG. 1.

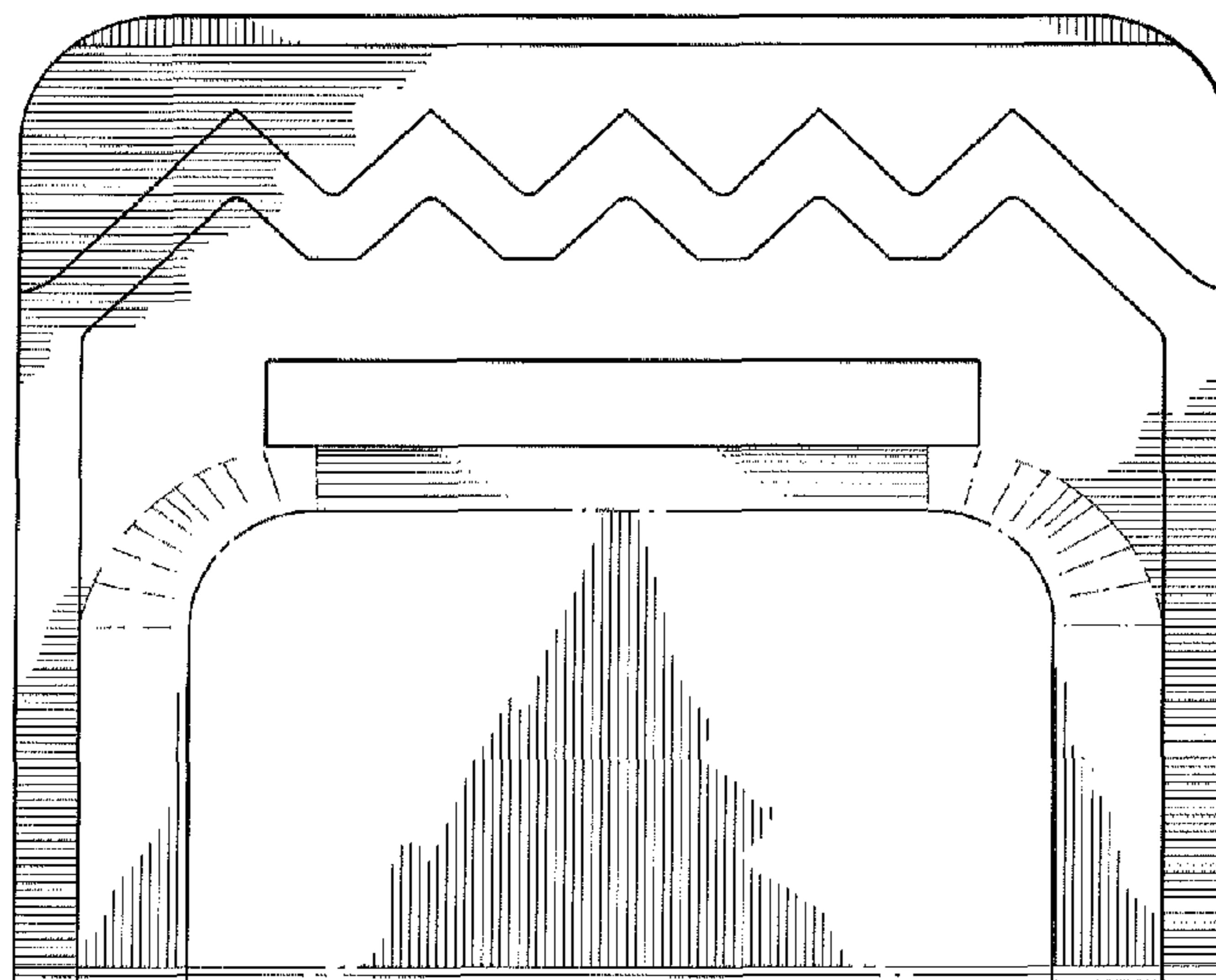
FIG. 5 is a right side view of the medical patch of FIG. 1.

FIG. 6 is a left side view of the medical patch of FIG. 1.

FIG. 7 is a front perspective view of the medical patch of FIG. 1; and,

FIG. 8 is a rear perspective view of the medical patch of FIG. 1.

1 Claim, 8 Drawing Sheets



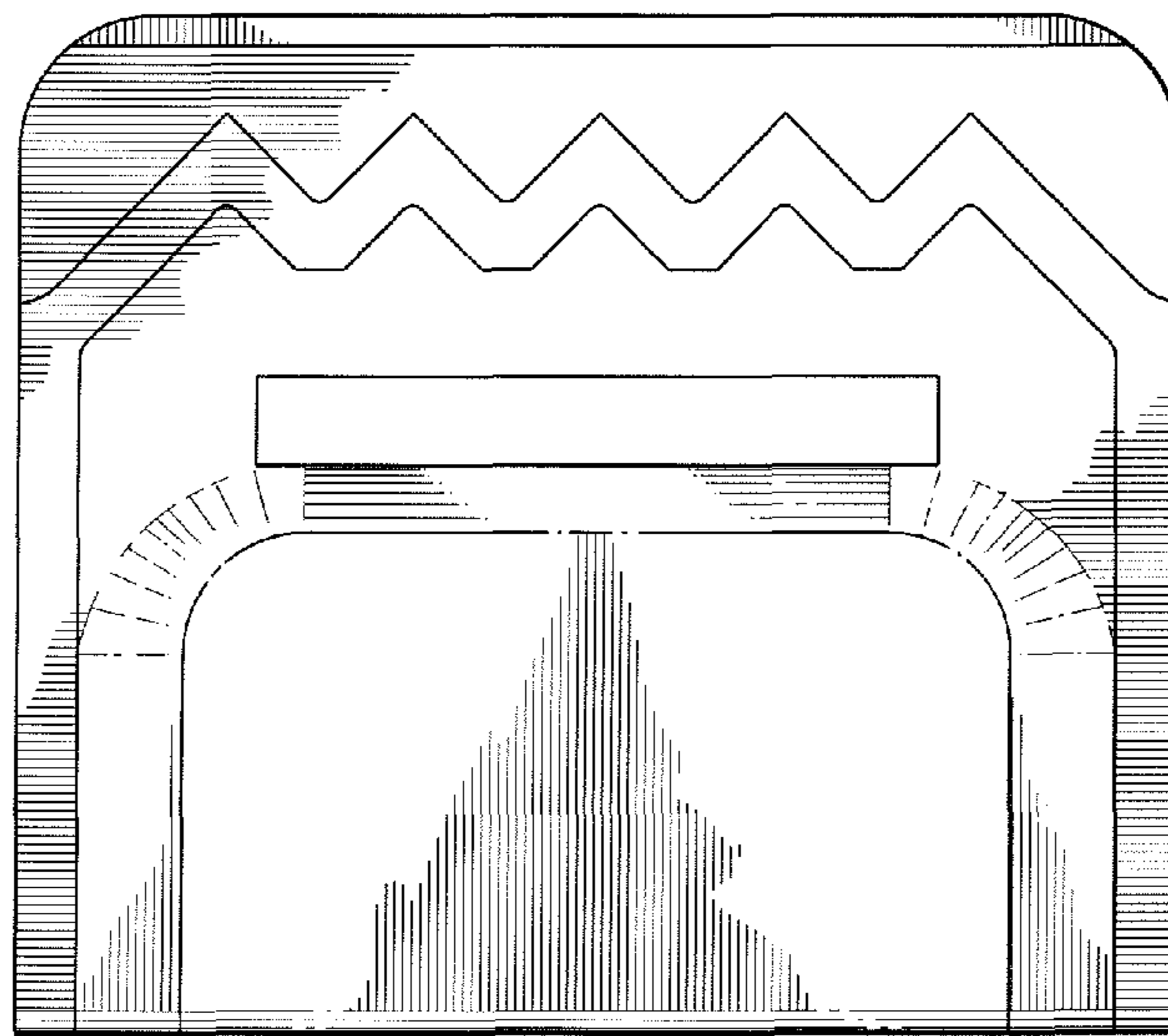


FIG. 1

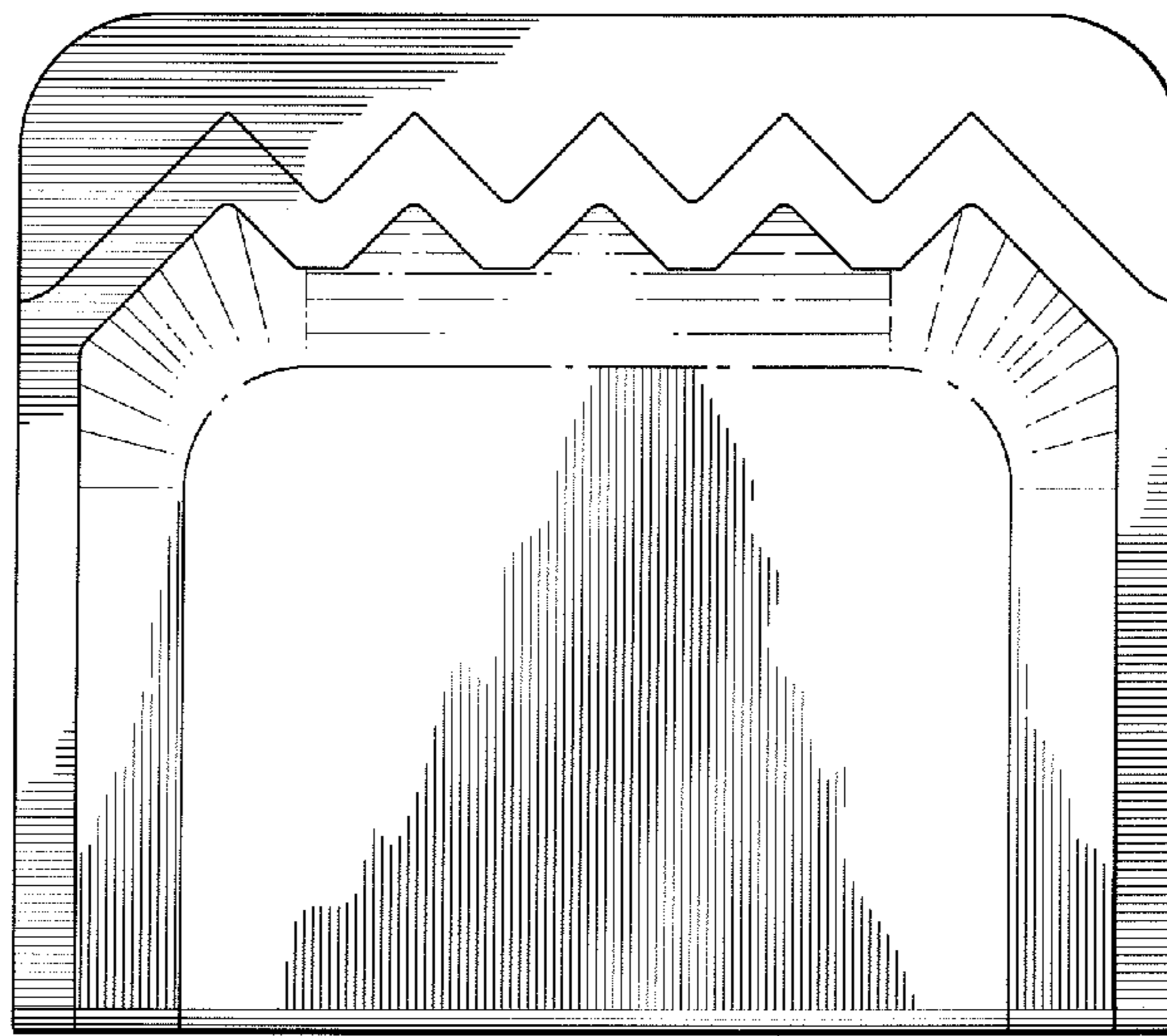


FIG. 2



FIG. 3



FIG. 4



FIG. 5



FIG. 6

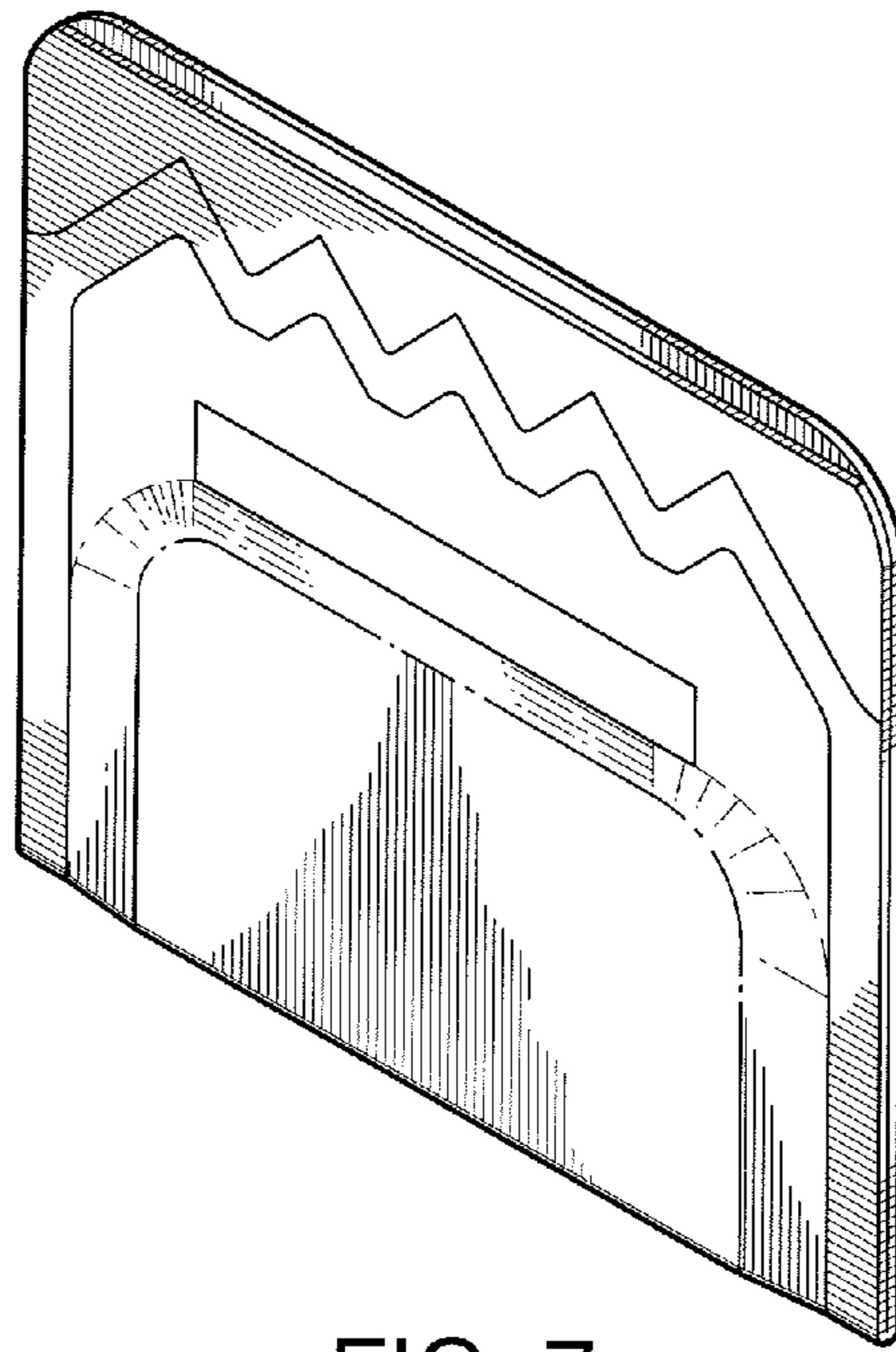


FIG. 7

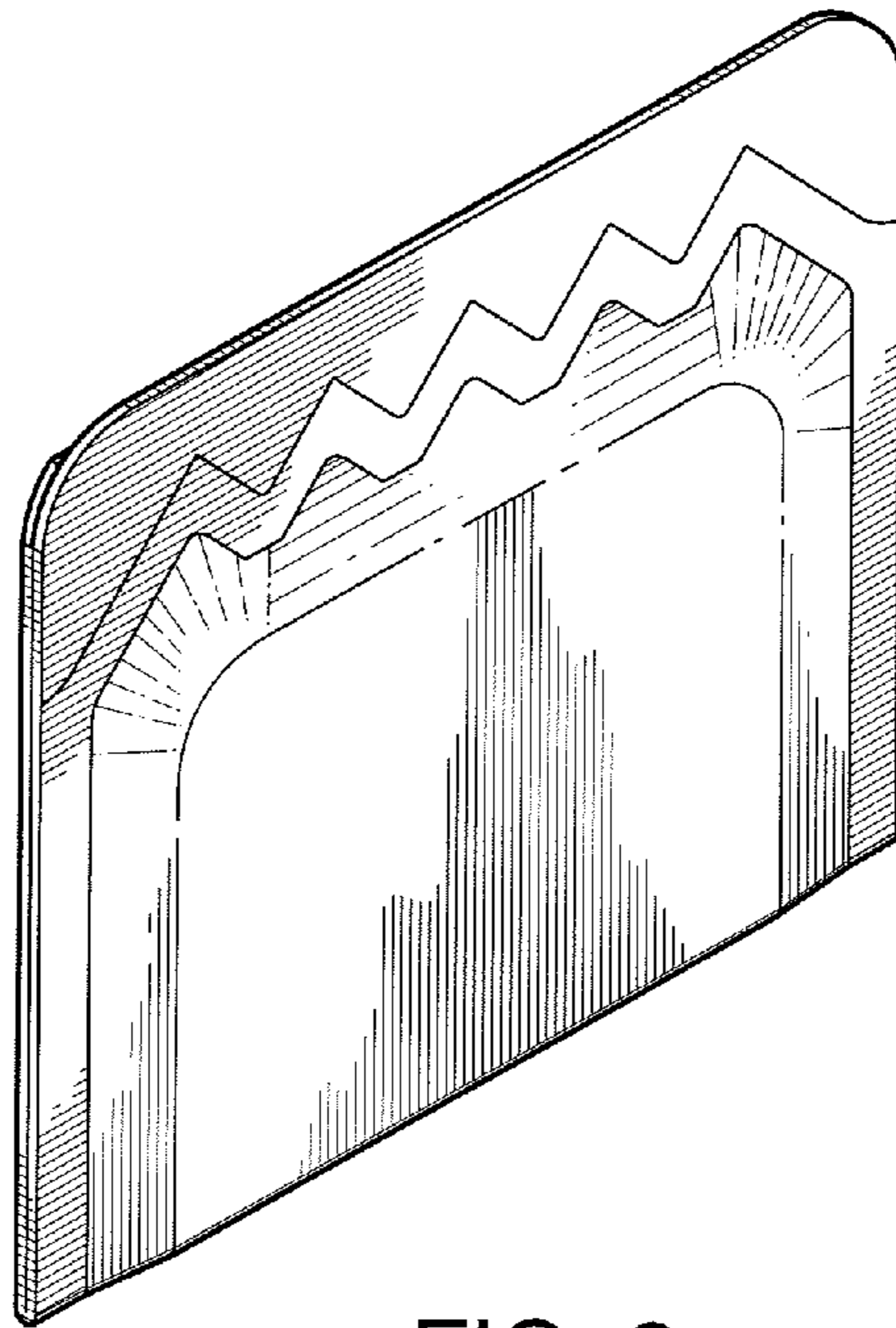


FIG. 8