



US00D668764S

(12) **United States Design Patent**
Lussi et al.

(10) **Patent No.:** **US D668,764 S**
(45) **Date of Patent:** **** Oct. 9, 2012**

(54) **PORTION OF A DENTAL IMPLANT**

(75) Inventors: **Jost Lussi**, Zurich (CH); **Marc Zettler**,
Rheinfelden (DE)

(73) Assignee: **Straumann Holding AG**, Basel (CH)

(**) Term: **14 Years**

(21) Appl. No.: **29/397,631**

(22) Filed: **Jul. 19, 2011**

(30) **Foreign Application Priority Data**

Jan. 24, 2011 (WO) 583964401

(51) **LOC (9) Cl.** **24-02**

(52) **U.S. Cl.** **D24/156**

(58) **Field of Classification Search** D24/155,
D24/156; 606/194, 198, 106; D8/387, 310-312;
411/178, 378

See application file for complete search history.

(56) **References Cited**

U.S. PATENT DOCUMENTS

D263,878	S *	4/1982	Edwardson	D24/156
D265,174	S *	6/1982	Boyle	D8/387
5,934,906	A	8/1999	Phimmasone		
D417,139	S *	11/1999	Pitre	D8/387
6,068,479	A	5/2000	Kwan		
D507,650	S *	7/2005	Teich	D24/156
7,207,800	B1	4/2007	Kwan		
D576,027	S *	9/2008	Lanz	D8/387
D601,703	S *	10/2009	Kahdemann	D24/156
D602,161	S *	10/2009	Yazdi	D24/156
D611,511	S *	3/2010	Anitua Aldecoa	D15/139
D612,714	S *	3/2010	Skubic	D8/387
D647,393	S *	10/2011	Carrillo et al.	D8/387
2003/0082498	A1	5/2003	Halldin et al.		
2004/0219488	A1	11/2004	Choi et al.		
2006/0078847	A1	4/2006	Kwan		
2008/0097458	A1*	4/2008	Donahoe et al.	606/104
2011/0014586	A1	1/2011	Jorneus et al.		

FOREIGN PATENT DOCUMENTS

WO	WO 02/45615	A1	6/2002
WO	WO 03/037208	A1	5/2003

WO	WO 2004/096075	A1	11/2004
WO	WO 2006/138353	A2	12/2006
WO	WO 2007/025784	A2	3/2007
WO	WO 2007/039206	A1	4/2007
WO	WO 2008/006868	A1	1/2008
WO	WO 2008/138644	A1	11/2008
WO	WO 2009/060415	A3	5/2009
WO	WO 2010/025839	A1	3/2010

(Continued)

OTHER PUBLICATIONS

International Search Report in PCT/EP2010/004584 mailed Dec. 2, 2010.

(Continued)

Primary Examiner — Ian Simmons

Assistant Examiner — Charles Hanson

(74) *Attorney, Agent, or Firm* — Rissman Hendricks & Oliverio, LLP

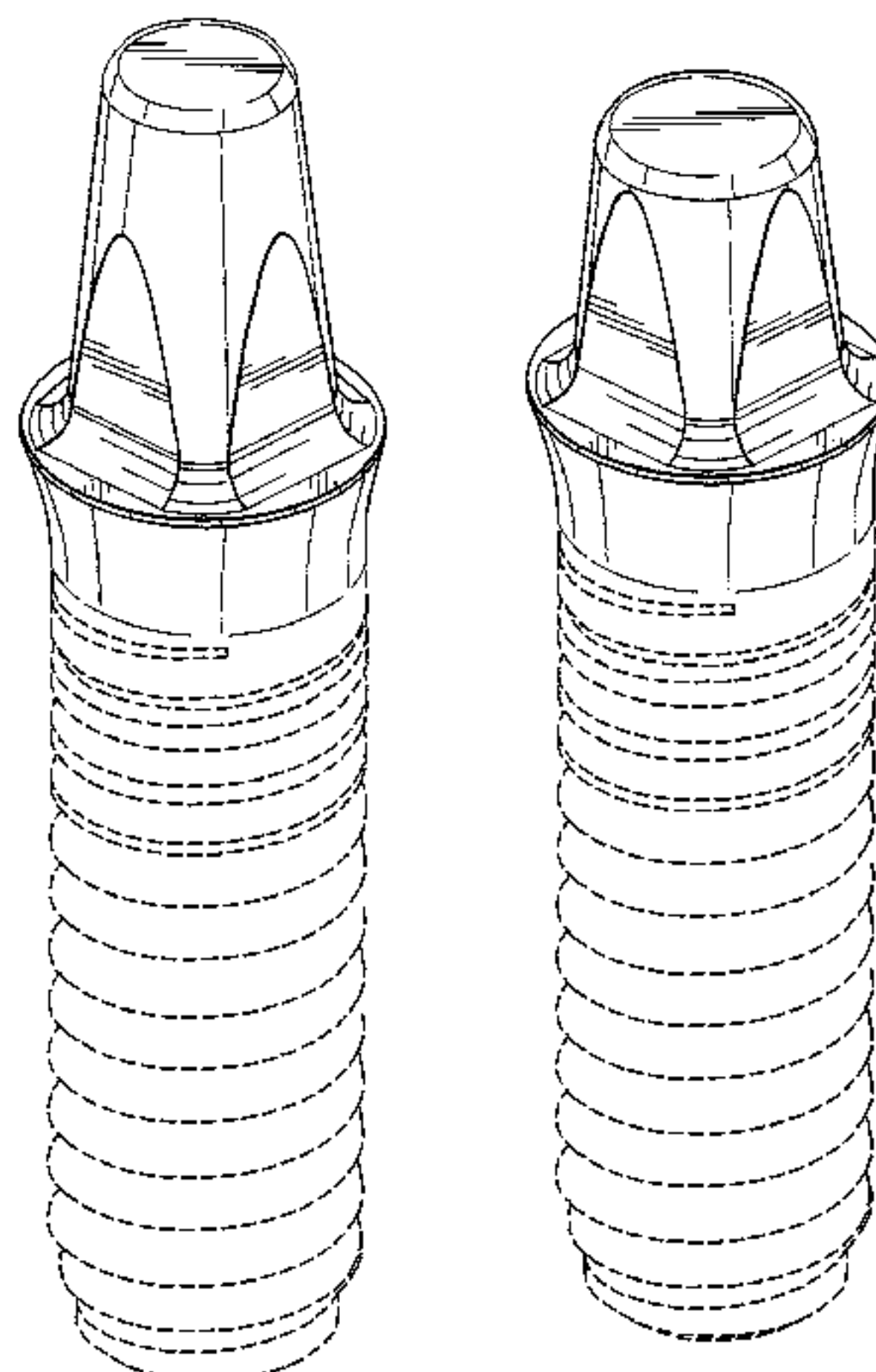
(57) **CLAIM**

The ornamental design for a portion of a dental implant, as shown and described.

DESCRIPTION

FIG. 1 is a side elevation view of a portion of a dental implant according to a first embodiment;
 FIG. 2 is an end elevational view thereof;
 FIG. 3 is a bottom plan view thereof;
 FIG. 4 is a perspective view thereof;
 FIG. 5 is a top plan view thereof;
 FIG. 6 is a side elevational view of a portion of a dental implant, according to a second embodiment;
 FIG. 7 is an end elevational view thereof;
 FIG. 8 is a bottom view plan thereof;
 FIG. 9 is a perspective view thereof; and,
 FIG. 10 is a top plan view thereof.
 The broken line showing of the lower implant is included for the purpose of illustrating environment and forms no part of the claimed design.

1 Claim, 4 Drawing Sheets



FOREIGN PATENT DOCUMENTS

WO WO 2011/012285 A1 2/2011
WO WO 2011012285 A1 2/2011

OTHER PUBLICATIONS

EP Search Report in EP 09009675.1 mailed Jan. 27, 2010.
Swissreg extract trademarks—Trademark No. 523525.

Swissreg extract trademarks—Trademark No. 523526.
Swissreg extract trademarks—Trademark No. 523527.
Swissreg extract trademarks—Trademark No. 523528.
Swissreg extract trademarks—Trademark No. 523529.
Swissreg extract trademarks—Trademark No. 523530.

* cited by examiner

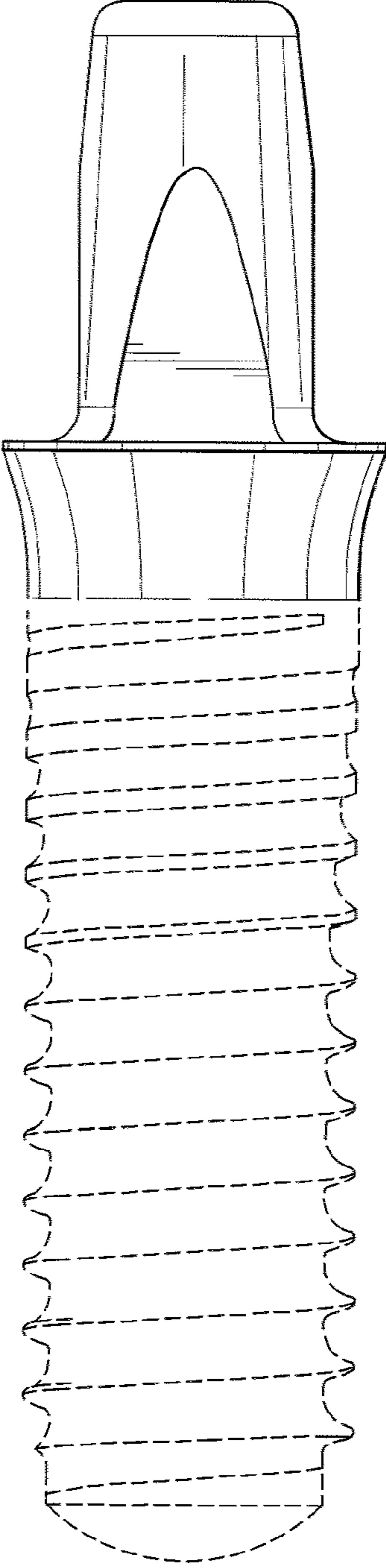


FIG. 1

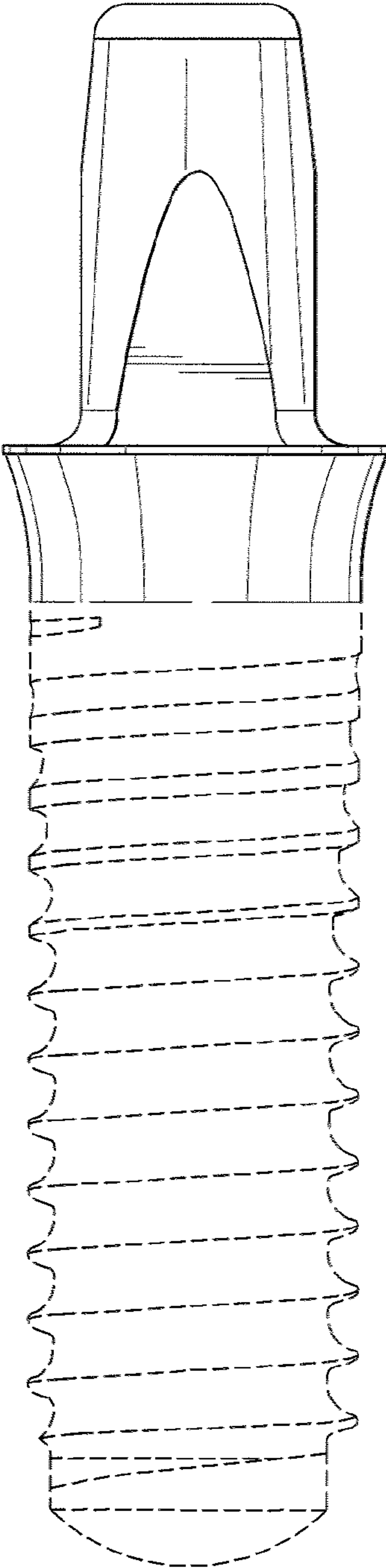


FIG. 2

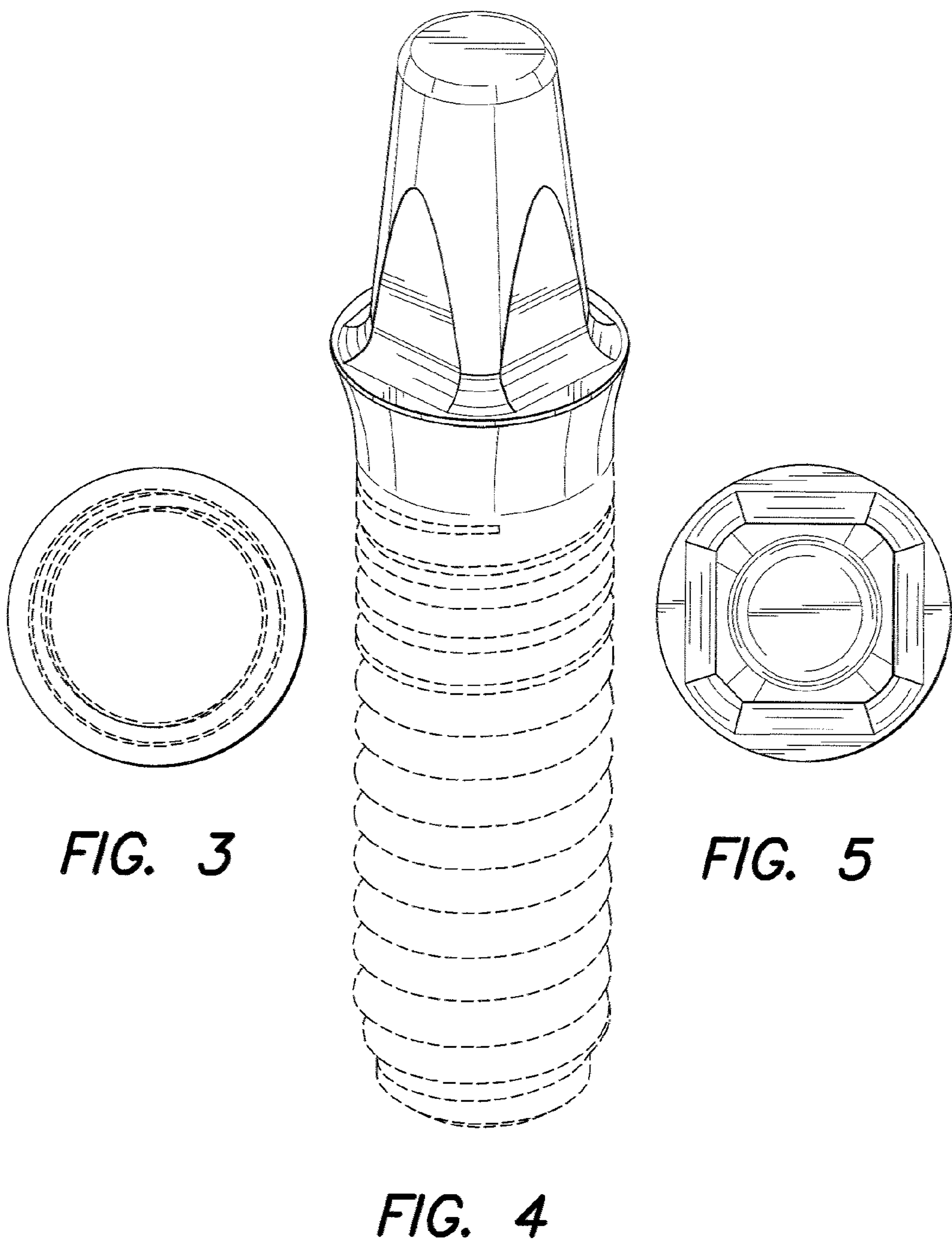


FIG. 3

FIG. 5

FIG. 4

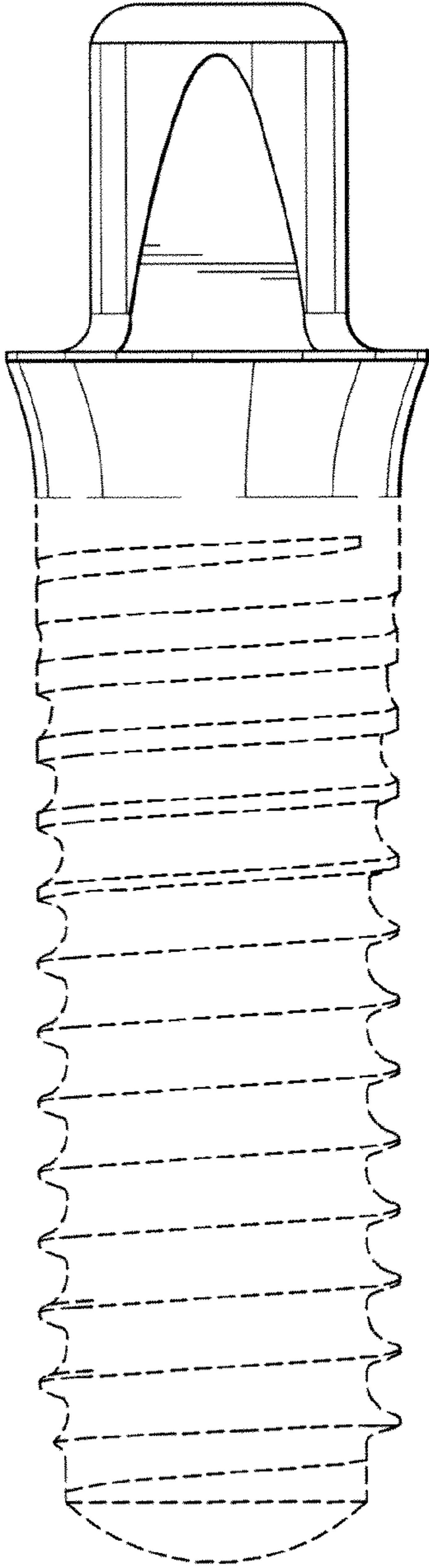


FIG. 6

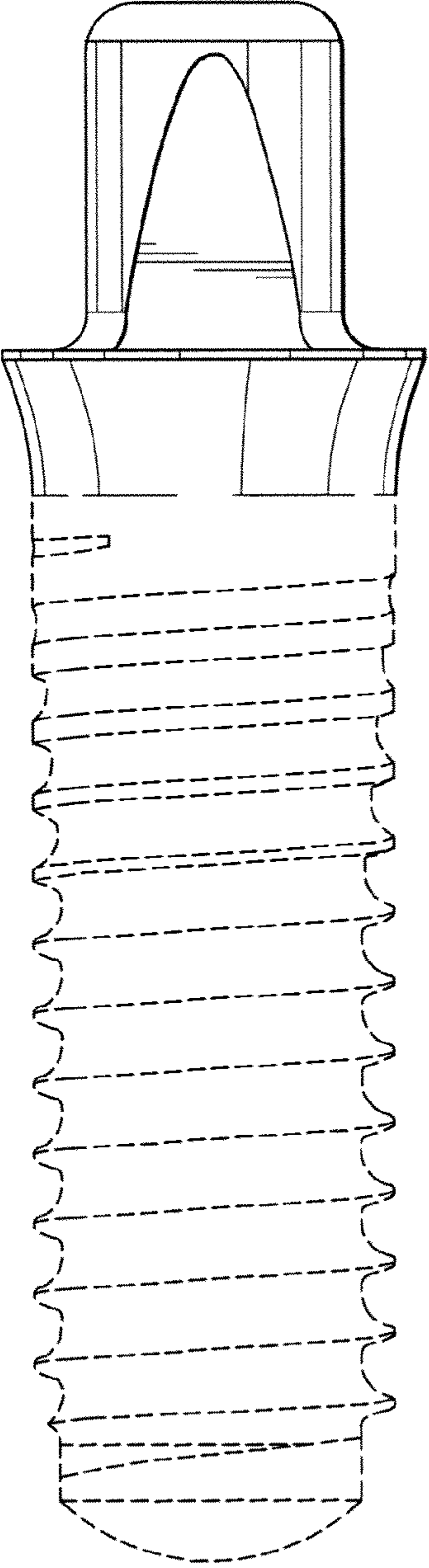


FIG. 7

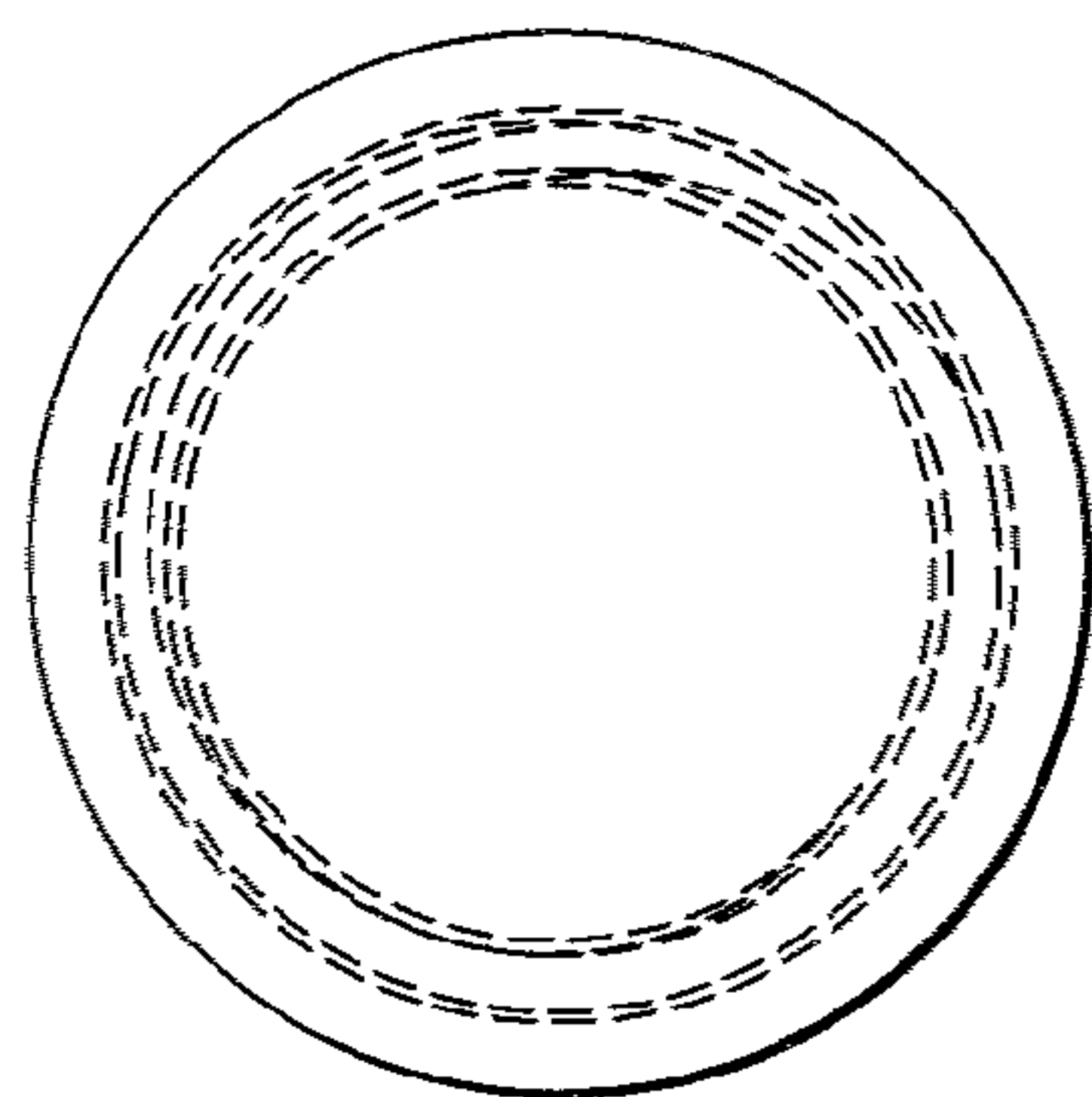


FIG. 8

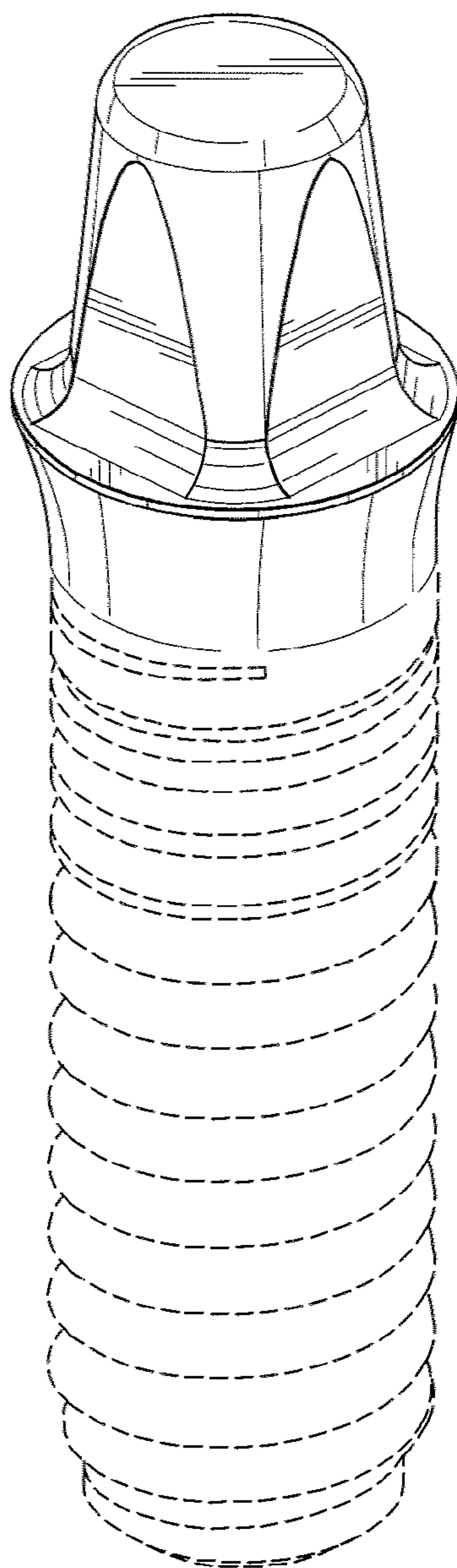


FIG. 9

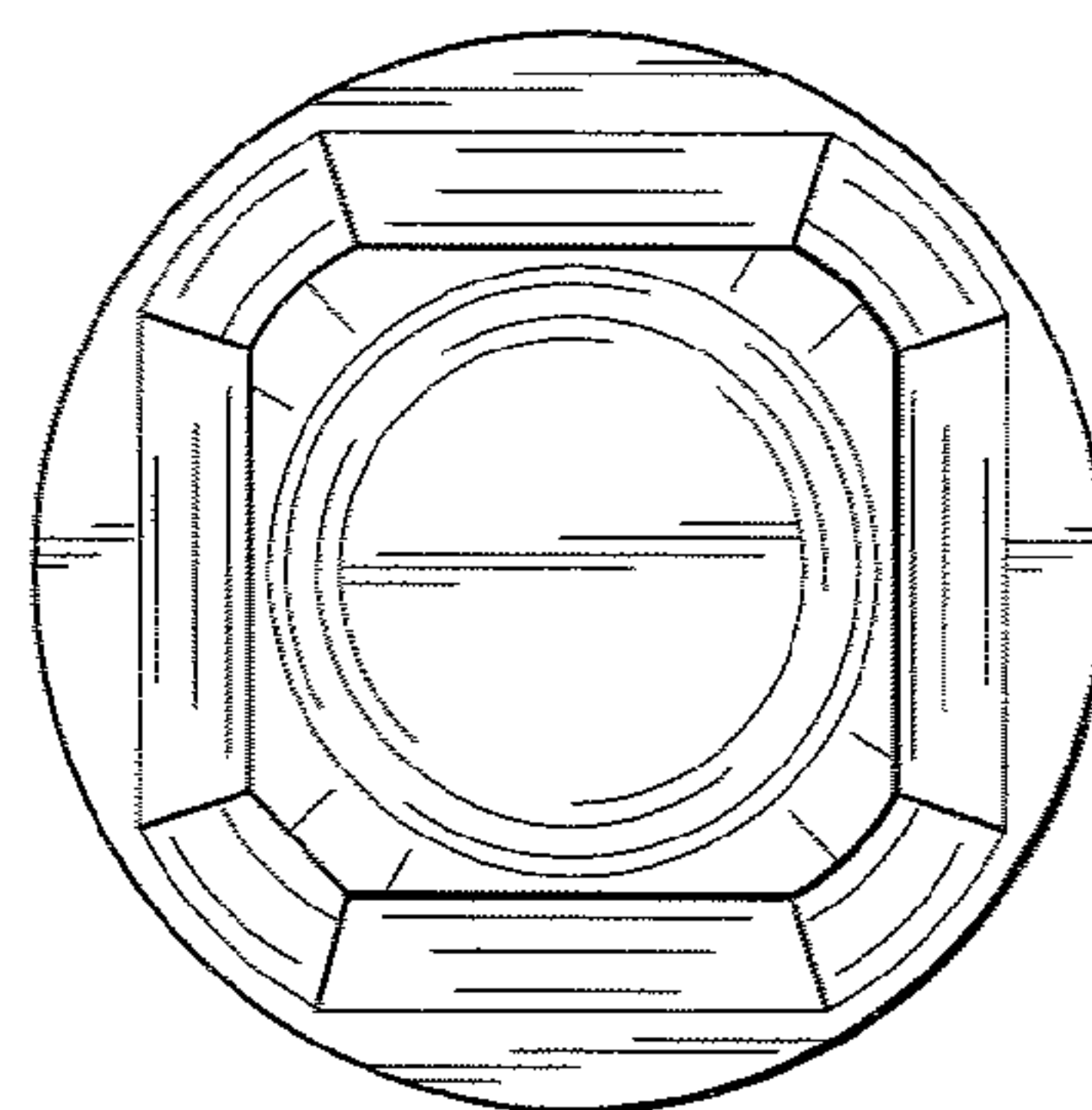


FIG. 10